

DESCRIPTION	ISSUE DATE
PERMIT SET	N/A

SECTION	ITEM	AWS GRADE
-	-	CUSTOM

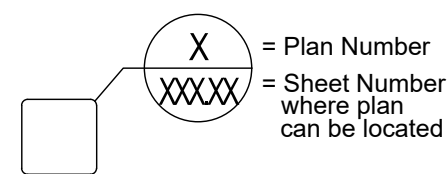


QCP	YES <input type="checkbox"/>	NO <input checked="" type="checkbox"/>
LEED	YES <input type="checkbox"/>	NO <input checked="" type="checkbox"/>
FSC	YES <input type="checkbox"/>	NO <input checked="" type="checkbox"/>
NAUF	YES <input type="checkbox"/>	NO <input checked="" type="checkbox"/>

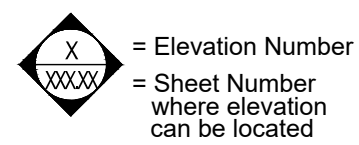
GENERAL NOTES:

DRAWING SYMBOLS:

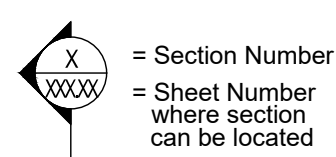
Ref Plan Symbols:



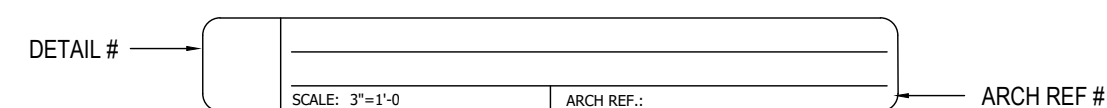
Plan Symbols:



Section Symbols:



Layout View Symbols:



Elevation Symbols:

- ⊕ — CENTER LINE
- ∅ — DIAMETER
- 30" — IN WALL BLOCKING BY G.C.
- ↔ — GRAIN DIRECTION
- PL# — LAMINATE SYMBOL & NUMBER
- WD# — WOOD SYMBOL & NUMBER
- SS# — SOLID SURFACE SYMBOL & NUMBER
- ST# — STONE SYMBOL & NUMBER

ARCHITECT:

G.C.:

N/A
ADDRESS: N/A

CITY/STATE: N/A
PHONE: N/A
FAX: N/A
CONTACT: N/A
CELL: N/A
EMAIL: N/A

PM:	-
DRAWN BY:	TMS
DATE DRAWN:	10/11/2024
REVIEWED BY:	-


REVISIONS:

No.	DATE:	DESCRIPTIONS:	BY:
△	-	-	-
△	-	-	-
△	-	-	-
△	-	-	-
△	-	-	-
△	-	-	-
△	-	-	-
△	-	-	-

APPROVAL DATE	-
PLOT DATE	11/13/2024
PROJECT NUMBER	-----
ROOM NAME	GENERAL INFO
SHEET NUMBER	1CS.01

DEVIATION REPORT				
NO.	TMS REF.	ARCH REF.	EXPLANATION	RESPONSES FROM DESIGN PROFESSIONAL
01	1/105.04 / 1/109.04 / 1/125.11	N/A	FIXED SHELF WAS ADDED TO THE TALL CABINET FOR SUPPORT	
02	1/111.01	5/A5.04	A FALSE CABINET FRONT WAS INSTALLED AT ELEV 1/111.01 I LIEU OF DRAWER DUE TO SINK SPECS	

RFI'S / CLARIFICATION				
NO.	TMS REF.	ARCH REF.	QUESTION	G.C. / ARCHITECTS COMMENTS
01	102.01 / 104.04 / 105.01 / 109.01 / 113.01 / 115.01 / 117.06 / 118.01 / 118.02 / 125.02 / 127.01	10/A5.04 / 5/05.02 / 9,11/A5.02 / 10/A5.03 / 6/A5.06 / 7/A5.13 / 2/A9.03 / 5/A5.00 / 6/A5.00 / 3/A5.12 / 4/A5.10	PLEASE CONFIRM HOW WARDROBE CABINET WILL OPEN	
02	105.01 / 109.01 / 125.02	9,11/A5.02 / 10/A5.03 / 3/A5.12	PLEASE SPECIFY MIRROR THICKNESS FOR WARDROBES	
03	108.02 / 108.03	3/A9.03	PLEASE VERIFY THE ATTACHMENT OF THE CABINETS	
04	111.01	2/A5.04	PLEASE CONFIRM HOW UPPER CABINETS AND TALL CABINET WILL OPEN	
05	118.03	6/A5.00	PLEASE CONFIRM DESIGN INTENT AT BBQ CABINETS	
06	118.03	6/A5.00	PLEASE CONFIRM IF EX-AP-1 WILL HAVE COMBUSTIBLE INSTALLATION	
07	124.01	3/A5.05	PLEASE CONFIRM IF BACK WILL HAVE FINISH PANEL	

	QCP	YES <input type="checkbox"/>	NO <input checked="" type="checkbox"/>
	LEED	YES <input type="checkbox"/>	NO <input checked="" type="checkbox"/>
	FSC	YES <input type="checkbox"/>	NO <input checked="" type="checkbox"/>
	NAUF	YES <input type="checkbox"/>	NO <input checked="" type="checkbox"/>

FINISHES:

PM:	-
DRAWN BY:	TMS
DATE DRAWN:	10/11/2024
REVIEWED BY:	-

REVISIONS:			
No.	DATE:	DESCRIPTIONS:	BY:
△	-	-	-
△	-	-	-
△	-	-	-
△	-	-	-
△	-	-	-
△	-	-	-
△	-	-	-
△	-	-	-

APPROVAL DATE	-
PLOT DATE	11/13/2024
PROJECT NUMBER	-----
ROOM NAME	DEVIATION - RFI
SHEET NUMBER	1CS.02

SHEET INDEX:

SUBMITTAL 1	
Sheet Number	Sheet Title
GENERAL INFO	
1CS.01	GENERAL INFO
1CS.02	DEVIATION - RFI
1CS.03	INDEX
1CS.04	MATERIAL SPECS
1CS.05	DOOR & DRAWER CONSTRUCTION
REFERENCE PLANS	
RP.01	PARTIAL FLOOR PLAN - SOUTH WING
RP.02	PARTIAL FLOOR PLAN - MAIN HOUSE
RP.03	PARTIAL FLOOR PLAN - NORTH WING
RP.04	PARTIAL FLOOR PLAN - GUEST WING
102 - CORRIDOR	
102.01	ELEVATION
102.02	PLAN SECTION
102.03	SECTIONS
104 - BATH 2	
104.01	ELEVATION & PLAN SECTION
104.02	PLAN SECTION
104.03	PLAN SECTION & SECTION
104.04	ELEVATION
104.05	PLAN SECTIONS
104.06	SECTIONS
105 - CLOSET 2	
105.01	ELEVATIONS
105.02	PLAN SECTION
105.03	PLAN SECTION
105.04	SECTIONS
105.05	SECTION
106 - BATH 3	
106.01	ELEVATION
106.02	PLAN SECTIONS
106.03	PLAN SECTIONS
106.04	SECTIONS
108 - POWDER	
108.01	ELEVATION
108.02	PLAN SECTIONS
108.03	SECTIONS & DETAIL
109 - CLOSET 3	
109.01	ELEVATIONS
109.02	PLAN SECTION
109.03	PLAN SECTION
109.04	SECTIONS
110 - LAUNDRY	
110.01	ELEVATION
110.02	ELEVATION
110.03	PLAN SECTION
110.04	PLAN SECTION
110.05	PLAN SECTION
110.06	SECTIONS
110.07	PLAN SECTION
110.08	SECTIONS

111 - POOL BATH	
111.01	
111.02	PLAN SECTIONS
111.03	PLAN SECTIONS
111.04	SECTIONS
111.05	SECTIONS
112 - YOGA - GYM	
112.01	ELEVATION & PLAN SECTION
112.02	PLAN SECTION & SECTION
113 - GUEST BATH	
113.01	
113.02	PLAN SECTIONS
113.03	PLAN SECTIONS
113.04	SECTIONS
115 - CLOSET	
115.01	ELEVATIONS
115.02	PLAN SECTION
115.03	PLAN SECTION
115.04	SECTIONS
116 - GUEST BED	
116.01	
116.02	PLAN & ELEVATION
116.03	SECTION & DETAILS
117 - THEATER RM	
117.01	PLAN & ELEVATION
117.02	ELEVATION
117.03	PLAN SECTION
117.04	SECTIONS & DETAIL
118 - PANTRY	
118.01	
118.02	ELEVATION
118.03	ELEVATION
118.04	PLAN SECTION
118.05	PLAN SECTION
118.06	PLAN SECTION
118.07	SECTIONS
118.08	SECTIONS
118.09	SECTIONS
118.10	PLAN SECTION
118.11	PLAN SECTION
118.12	PLAN SECTION
118.13	PLAN SECTION
118.14	PLAN SECTION
118.15	PLAN SECTION
118.16	PLAN SECTION
118.17	PLAN SECTION
118.18	PLAN SECTION
118.19	PLAN SECTION
118.20	SECTIONS
118.21	SECTIONS
118.22	SECTIONS
118.23	PLAN SECTION
118.24	PLAN SECTION

118.25	PLAN SECTION
118.26	SECTIONS
118.27	SECTIONS
119 - KITCHEN	
119.01	ELEVATION
119.02	PLAN SECTIONS
119.03	PLAN SECTIONS
119.04	SECTION
119.05	SECTION
119.06	SECTION
119.07	SECTION
119.08	ELEVATIONS
119.09	PLAN SECTION
119.10	SECTIONS
119.11	SECTIONS
121 - LIVING	
121.01	
121.02	SECTIONS
122 - OFFICE	
122.01	ELEVATION
122.02	ELEVATION
122.03	PLAN SECTION
122.04	PLAN SECTION
122.05	PLAN SECTION
122.06	SECTION & DETAIL
122.07	SECTION
123 - M BED	
123.01	
123.02	SECTION & DETAILS
124 - M BATH	
124.01	ELEVATION
124.02	PLAN SECTIONS
124.03	PLAN SECTIONS
124.04	PLAN SECTIONS
124.05	PLAN SECTIONS
124.06	SECTION
124.07	SECTIONS
125 - M CLOSET	
125.01	
125.02	ELEVATION
125.03	ELEVATION
125.04	ELEVATION
125.05	PLAN SECTION
125.06	PLAN SECTION
125.07	PLAN SECTION
125.08	PLAN SECTION
125.09	PLAN SECTION
125.10	SECTIONS
125.11	SECTIONS
126 - BATH 1	
126.01	ELEVATION & PLAN SECTION
126.02	PLAN SECTIONS
126.03	SECTION

127 - CLOSET	
127.01	
127.02	ELEVATION
127.03	PLAN SECTIONS
127.04	PLAN SECTIONS
127.05	SECTIONS
127.06	SECTIONS
128 - BED 1	
128.01	ELEVATION
128.02	PLAN SECTIONS
128.03	SECTION
133 - LINEN CLOSET	
133.01	
133.02	PLAN SECTION
133.03	SECTION



QCP	YES <input type="checkbox"/>	NO <input checked="" type="checkbox"/>
LEED	YES <input type="checkbox"/>	NO <input checked="" type="checkbox"/>
FSC	YES <input type="checkbox"/>	NO <input checked="" type="checkbox"/>
NAUF	YES <input type="checkbox"/>	NO <input checked="" type="checkbox"/>

FINISHES:

PM:	-
DRAWN BY:	TMS
DATE DRAWN:	10/11/2024
REVIEWED BY:	-

REVISIONS:			
No.	DATE:	DESCRIPTIONS:	BY:
△	-	-	-
△	-	-	-
△	-	-	-
△	-	-	-
△	-	-	-
△	-	-	-
△	-	-	-
△	-	-	-

APPROVAL DATE	-
PLOT DATE	11/13/2024
PROJECT NUMBER	-----
ROOM NAME	INDEX
SHEET NUMBER	1CS.03

WOOD MATERIAL	
DESCRIPTION	SPECIFICATION
SEMI EXPOSED CASE BODY	3/4" VENEER CORE PLYWOOD PREFINISHED
EXPOSED CASE BODY	3/4" VENEER CORE PLYWOOD PREFINISHED
SEMI EXPOSED BACKS	3/4" VENEER CORE PLYWOOD PREFINISHED
EXPOSED BACKS	3/4" VENEER CORE PLYWOOD PREFINISHED
DOOR & DRAWER FRONTS	3/4" VENEER CORE PLYWOOD w/ VENEER ON BOTH FACES
DRAWER BOX	3/4" PREFINISHED MAPLE OR BIRCH PLYWOOD - LOCK RABBET CONSTRUCTION
DRAWER BOX BOTTOMS	3/8" PREFINISHED MAPLE OR BIRCH PLYWOOD
SEMI EXPOSED SHELVES	3/4" VENEER CORE PLYWOOD PREFINISHED (1 1/2" IF OVER 35")
EXPOSED SHELVES	3/4" VENEER CORE PLYWOOD PREFINISHED (1 1/2" IF OVER 35")
TOEKICK	3/4" x 4" VENEERED TO MATCH FRONTS - CONTINUOUS RUN LADDER STYLE
CONSTRUCTION METHOD	FRAMELESS CONSTRUCTION, FLUSH OVERLAY DOORS / DRAWER FRONTS
WALL SHELVES	3/4" VENEER CORE PLYWOOD w/ VENEER

WOOD EDGEBANDING TREATMENT	
DESCRIPTION	SPECIFICATION
CASE BODY EDGE	3mm VENEER EDGEBAND COLOR: TO MATCH DOOR & DRAWER FRONTS
OPEN CASE BODY EDGE	3mm VENEER EDGEBAND COLOR: TO MATCH EXPOSED SURFACES
DOOR & DRAWER FRONT EDGE	3mm VENEER EDGEBAND COLOR: TO MATCH DOOR & DRAWER FRONTS
DRAWER BOX EDGE	3mm VENEER EDGEBAND COLOR: TO MATCH DRAWER BOX
SEMI EXPOSED SHELF EDGE	6mm VENEER EDGEBAND ON FRONT EDGE COLOR: TO MATCH CABINET INTERIOR
EXPOSED SHELF EDGE	6mm VENEER EDGEBAND ON FRONT EDGE COLOR: TO MATCH DOOR & DRAWER FRONTS
WALL SHELF EDGE	6mm VENEER EDGEBAND ON ALL SIDES COLOR: TO MATCH SHELF

WOOD			
KEY	COLOR	GRAIN	EDGE FINISH
WD7E	STAINED RIFT SAWN WHITE OAK	YES	TO MATCH WD7E
WD7G	3/4" X 16" OAK VENEER T&G PANELING	YES	TO MATCH WD7G

INTERIOR FINISHES			
KEY	COLOR	GRAIN	EDGE FINISH
WD	PREFINISHED MAPLE	YES	TO MATCH WD

SPECIALS			
KEY	COLOR	GRAIN	EDGE FINISH
MTL2A	METAL TO MATCH SVB RAW WHITE BRONZE	NO	METAL

GRAIN DIRECTIONS	
DESCRIPTION	GRAIN
DRAWER FRONTS	VERTICAL
DOORS	VERTICAL
APRON / TABLE FRAMES	HORIZONTAL
END PANELS	VERTICAL
KNEE SPACE PANELS	VERTICAL
WALL PANELS	VERTICAL

EQUIPMENT SCHEDULE			
KEY	EQUIPMENT ITEM	MANUFACTURER- MODEL	SIZE
AP-1	DISHWASHER	MIELE - G7966 SCVI AUTODOS, CLEAN TOUCH STEEL / OBSIDIAN BLACK	23 5/8" W x 33 3/4" H x 21 3/4" D
AP-2	INDUCTION COOKTOP	MIELE - KM 6375, BLACK CERAMIC	35 7/8" W x 4 7/8" H x 20 1/4" D
AP-3	HOOD	MIELE - DA 2698, STAINLESS STEEL	34 3/4" W x 2 1/2" H x 11 5/8" D
AP-4	HANDLESS OVEN	MIELE - H 7880 BPX, GRAPHITE GREY	29 7/8" W x 28 5/8" H x 24 5/8" D
AP-5	REFRIGERATOR	MIELE - KF 2812 VI	29 7/8" W x 83 3/4" H x 24" D
AP-6	REFRIGERATOR	MIELE - KF 2802 VI	23 5/8" W x 33 3/4" H x 21 3/4" D
AP-7	MICROWAVE	MIELE - M 2241 SC	23 1/2" W x 17 7/8" H x 15 7/8" D
AP-8	DISHWASHER	MIELE - G7966 SCVI AUTODOS	25 5/8" W x 33 3/4" H x 21 3/4" D
AP-10	WASHER	WHIRLPOOL - WDW92HWEEF	27" W x 38 3/4" H x 31 1/2" D
AP-11	WASHER	WHIRLPOOL - WDW92HWEEF	27" W x 38 3/4" H x 31 1/2" D
AP-12	DRYER	WHIRLPOOL - WDG92HEFW	27" W x 38 3/4" H x 31" D
AP-13	DRYER	WHIRLPOOL - WDG92HEFW	27" W x 38 3/4" H x 31" D
EX.AP-1	OUTDOOR GAS GRILL	SUBZERO - WOLF OG36	36" W x 27" H x 30" D

PLUMBING SCHEDULE			
KEY	EQUIPMENT ITEM	MANUFACTURER- MODEL	SIZE
PA1	FAUCET	WATERMARK	2" DIA. 8 1/2" H
PA2	SINK	THG	21 5/8" W x 13 3/4" D x 4 3/4" H
PA3	FAUCET	NEWPORT BRASS	4.3" W x 10.03" D x 16.28" H
PA4	SINK	FRANKE	25" W x 22" D x 11" H
PA7	SINK	FRANKE	31.5 " W x 17.75" D x 11" H

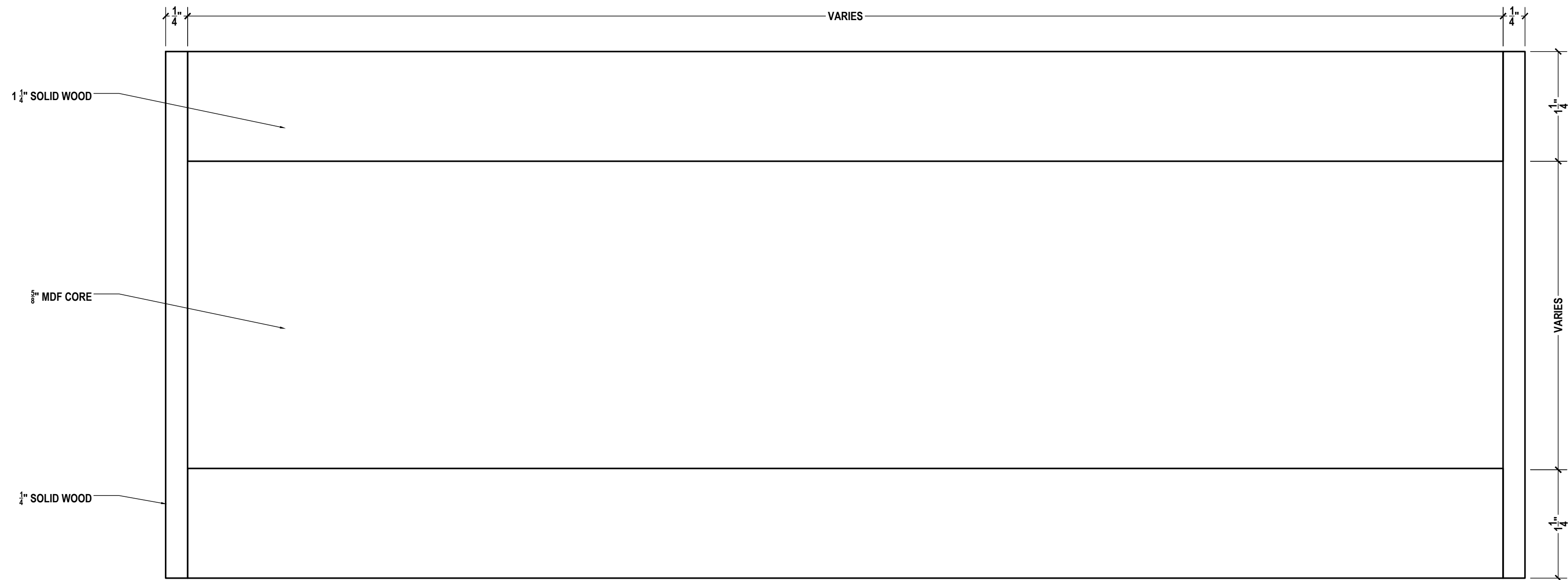
	QCP	YES <input type="checkbox"/>	NO <input checked="" type="checkbox"/>
	LEED	YES <input type="checkbox"/>	NO <input checked="" type="checkbox"/>
	FSC	YES <input type="checkbox"/>	NO <input checked="" type="checkbox"/>
	NAUF	YES <input type="checkbox"/>	NO <input checked="" type="checkbox"/>

FINISHES:

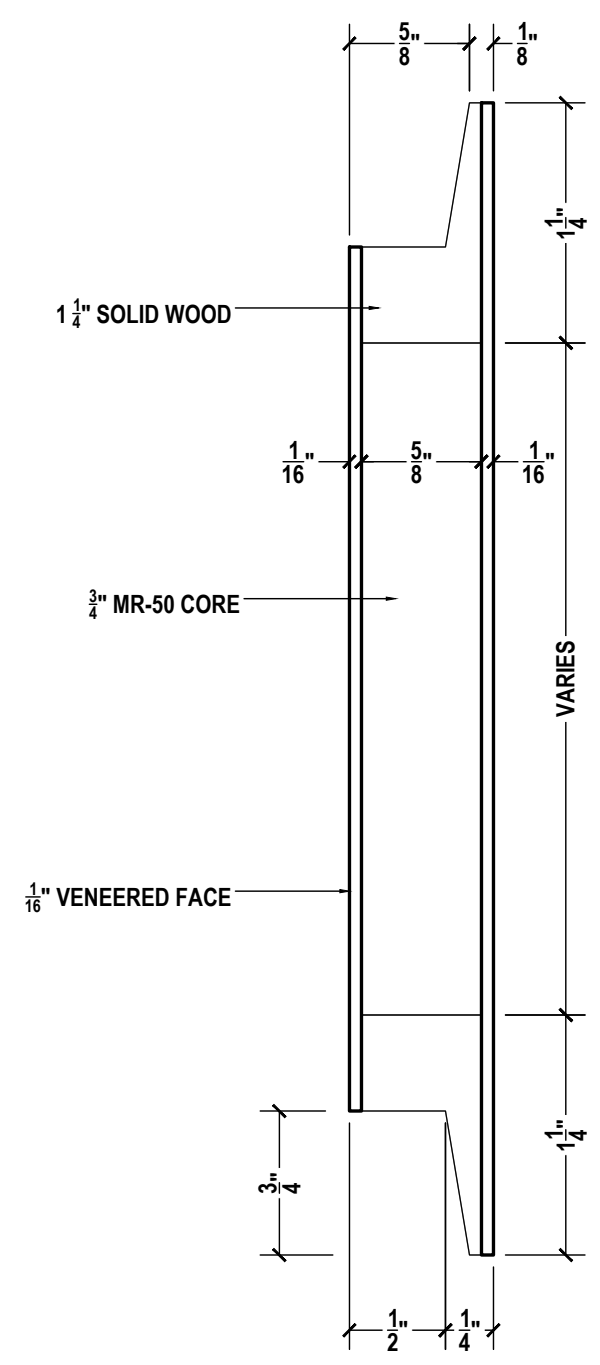
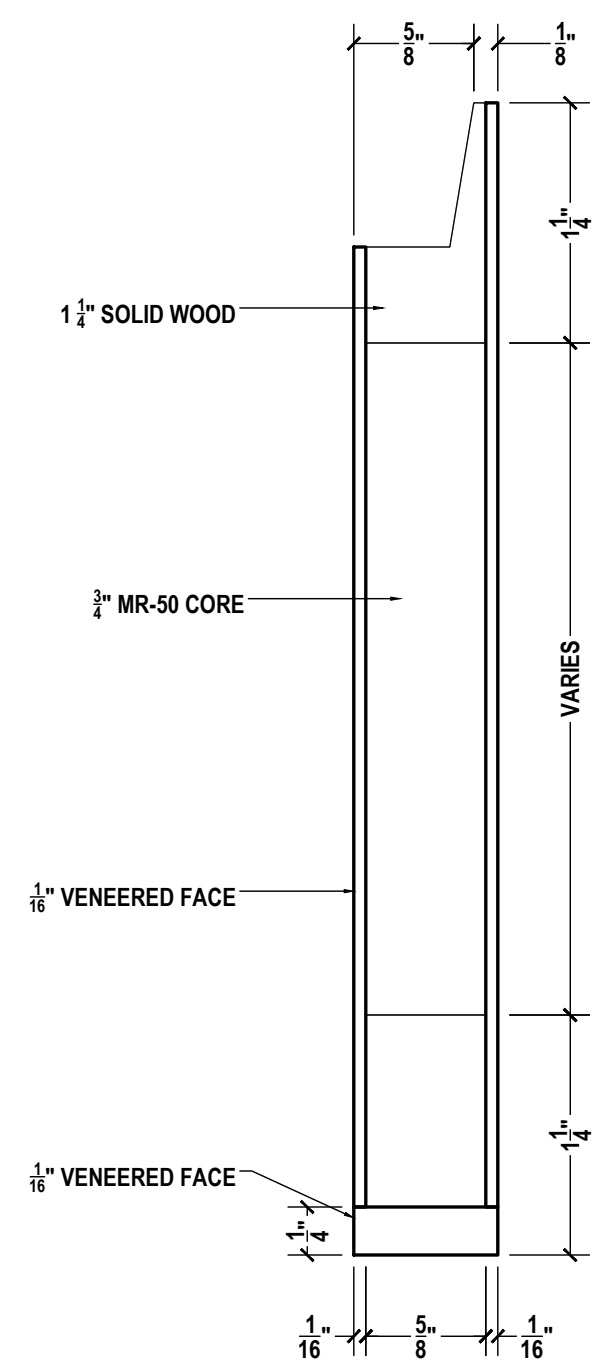
PM:	-
DRAWN BY:	TMS
DATE DRAWN:	10/11/2024
REVIEWED BY:	-

REVISIONS:			
No.	DATE:	DESCRIPTIONS:	BY:
△	-	-	-
△	-	-	-
△	-	-	-
△	-	-	-
△	-	-	-
△	-	-	-
△	-	-	-

APPROVAL DATE	-
PLOT DATE	11/13/2024
PROJECT NUMBER	-----
ROOM NAME	MATERIAL SPECS.
SHEET NUMBER	1CS.04



1 TYPICAL DOOR & DRAWER CONSTRUCTION ELEVATION
 SCALE: 1"=1'-0" ARCH REF.: N/A



2 TYPICAL DOOR & DRAWER CONSTRUCTION DETAILS
 SCALE: 1"=1'-0" ARCH REF.: N/A

	QCP	YES <input type="checkbox"/>	NO <input checked="" type="checkbox"/>
	LEED	YES <input type="checkbox"/>	NO <input checked="" type="checkbox"/>
	FSC	YES <input type="checkbox"/>	NO <input checked="" type="checkbox"/>
	NAUF	YES <input type="checkbox"/>	NO <input checked="" type="checkbox"/>

FINISHES:

PM:	-
DRAWN BY:	TMS
DATE DRAWN:	10/11/2024
REVIEWED BY:	-

REVISIONS:

No.	DATE:	DESCRIPTIONS:	BY:
△	-	-	-
△	-	-	-
△	-	-	-
△	-	-	-
△	-	-	-
△	-	-	-
△	-	-	-

APPROVAL DATE	-
PLOT DATE	11/13/2024
PROJECT NUMBER	-----
ROOM NAME	DOOR & DRAWER CONSTRUCTION
SHEET NUMBER	1CS.05



QCP	YES <input type="checkbox"/>	NO <input checked="" type="checkbox"/>
LEED	YES <input type="checkbox"/>	NO <input checked="" type="checkbox"/>
FSC	YES <input type="checkbox"/>	NO <input checked="" type="checkbox"/>
NAUF	YES <input type="checkbox"/>	NO <input checked="" type="checkbox"/>

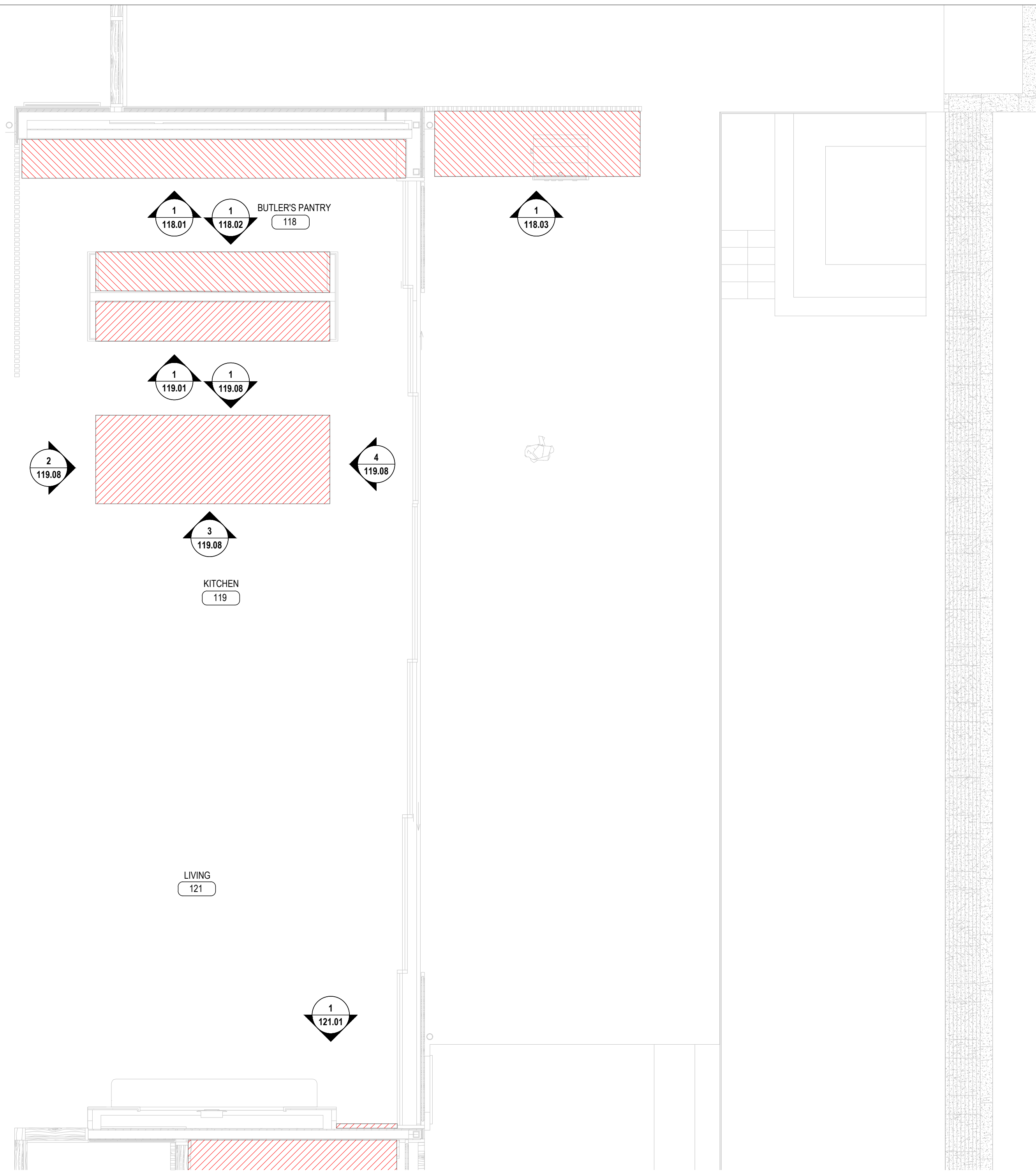
FINISHES:

PM:	-
DRAWN BY:	TMS
DATE DRAWN:	10/11/2024
REVIEWED BY:	-

REVISIONS:			
No.	DATE:	DESCRIPTIONS:	BY:
△	-	-	-
△	-	-	-
△	-	-	-
△	-	-	-
△	-	-	-
△	-	-	-
△	-	-	-
△	-	-	-

APPROVAL DATE	-
PLOT DATE	11/13/2024
PROJECT NUMBER	-----
ROOM NAME	REFERENCE PLANS
SHEET NUMBER	RP.01

1 PARTIAL FLOOR PLAN - SOUTH WING
REFERENCE PLAN
SCALE: 1/8"=1'-0" ARCH REF.: A2.10



	QCP	YES <input type="checkbox"/>	NO <input checked="" type="checkbox"/>
	LEED	YES <input type="checkbox"/>	NO <input checked="" type="checkbox"/>
	FSC	YES <input type="checkbox"/>	NO <input checked="" type="checkbox"/>
	NAUF	YES <input type="checkbox"/>	NO <input checked="" type="checkbox"/>

FINISHES:

PM:	-
DRAWN BY:	TMS
DATE DRAWN:	10/11/2024
REVIEWED BY:	-

REVISIONS:

No.	DATE:	DESCRIPTIONS:	BY:
△	-	-	-
△	-	-	-
△	-	-	-
△	-	-	-
△	-	-	-
△	-	-	-
△	-	-	-
△	-	-	-

APPROVAL DATE	-
PLOT DATE	11/13/2024
PROJECT NUMBER	-----
ROOM NAME	REFERENCE PLANS
SHEET NUMBER	RP.02

1 PARTIAL FLOOR PLAN - MAIN HOUSE
REFERENCE PLAN

SCALE: 1/8"=1'-0" ARCH REF.: A2.11



	QCP	YES <input type="checkbox"/>	NO <input checked="" type="checkbox"/>
	LEED	YES <input type="checkbox"/>	NO <input checked="" type="checkbox"/>
	FSC	YES <input type="checkbox"/>	NO <input checked="" type="checkbox"/>
	NAUF	YES <input type="checkbox"/>	NO <input checked="" type="checkbox"/>

FINISHES:

PM:	-
DRAWN BY:	TMS
DATE DRAWN:	10/11/2024
REVIEWED BY:	-

REVISIONS:			
No.	DATE:	DESCRIPTIONS:	BY:
△	-	-	-
△	-	-	-
△	-	-	-
△	-	-	-
△	-	-	-
△	-	-	-
△	-	-	-
△	-	-	-

APPROVAL DATE	-
PLOT DATE	11/13/2024
PROJECT NUMBER	-----
ROOM NAME	REFERENCE PLANS
SHEET NUMBER	RP.03

1 PARTIAL FLOOR PLAN - NORTH WING
REFERENCE PLAN
SCALE: 1/8"=1'-0" ARCH REF.: A2.12



QCP	YES <input type="checkbox"/>	NO <input checked="" type="checkbox"/>
LEED	YES <input type="checkbox"/>	NO <input checked="" type="checkbox"/>
FSC	YES <input type="checkbox"/>	NO <input checked="" type="checkbox"/>
NAUF	YES <input type="checkbox"/>	NO <input checked="" type="checkbox"/>

FINISHES:

PM:	-
DRAWN BY:	TMS
DATE DRAWN:	10/11/2024
REVIEWED BY:	-

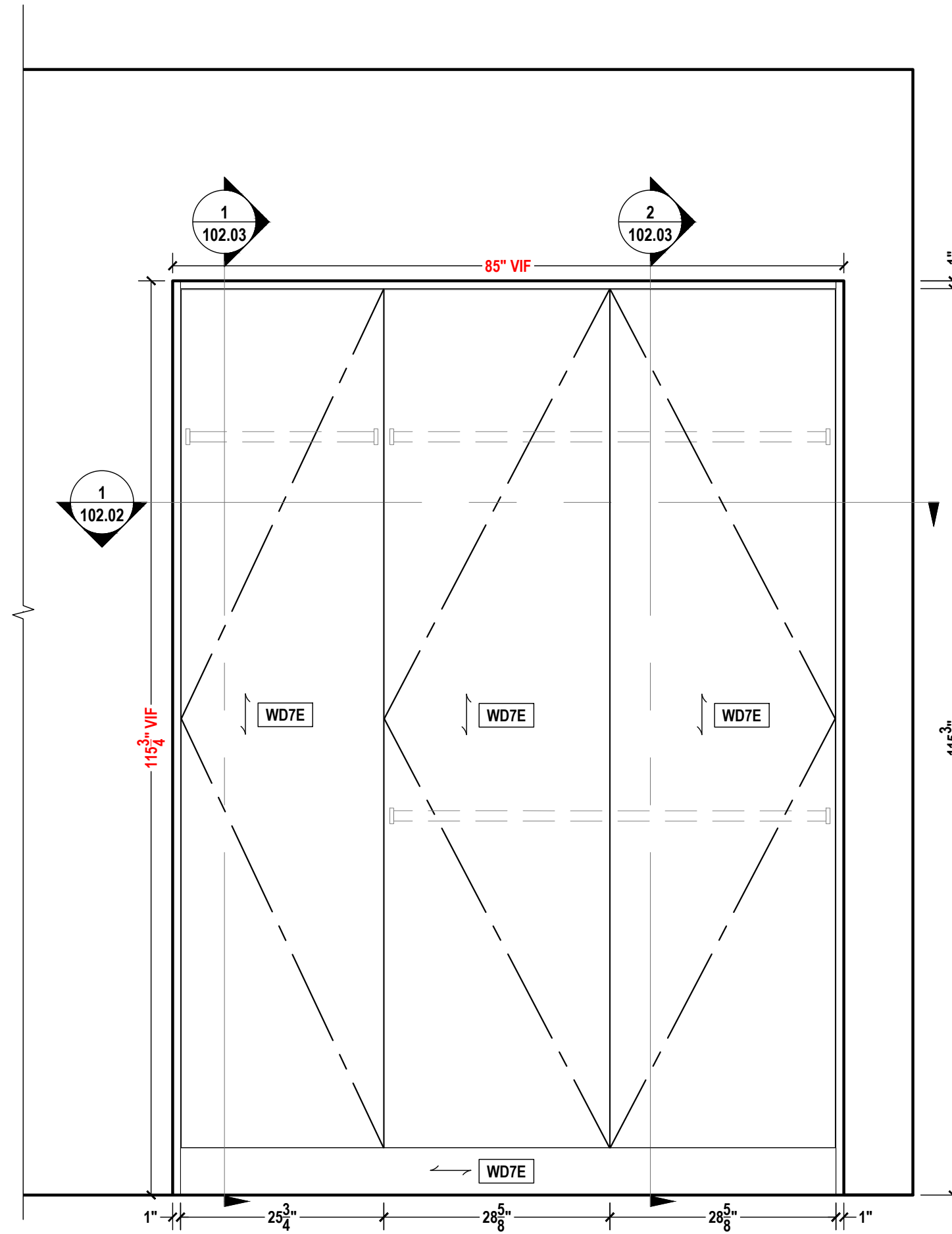
REVISIONS:

No.	DATE:	DESCRIPTIONS:	BY:
△	-	-	-
△	-	-	-
△	-	-	-
△	-	-	-
△	-	-	-
△	-	-	-
△	-	-	-
△	-	-	-

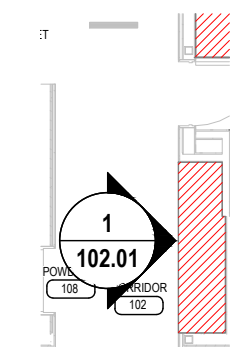
APPROVAL DATE	-
PLOT DATE	11/13/2024
PROJECT NUMBER	-----
ROOM NAME	REFERENCE PLANS
SHEET NUMBER	RP.04

1 PARTIAL FLOOR PLAN - GUEST WING
REFERENCE PLAN
SCALE: 1/8"=1'-0" ARCH REF.: A2.13

**** NOTE TO ARCH AND G.C. ****
 REFERENCE RFI LIST ON SHEET 1CS.02
 PLEASE CONFIRM HOW WARDROBE
 CABINET WILL OPEN



1 102 - CORRIDOR
 ELEVATION
 SCALE: 3/4"=1'-0" ARCH REF.: 10/A5.04



	QCP	YES <input type="checkbox"/>	NO <input checked="" type="checkbox"/>
	LEED	YES <input type="checkbox"/>	NO <input checked="" type="checkbox"/>
	FSC	YES <input type="checkbox"/>	NO <input checked="" type="checkbox"/>
	NAUF	YES <input type="checkbox"/>	NO <input checked="" type="checkbox"/>

FINISHES:

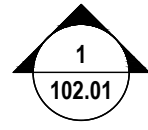
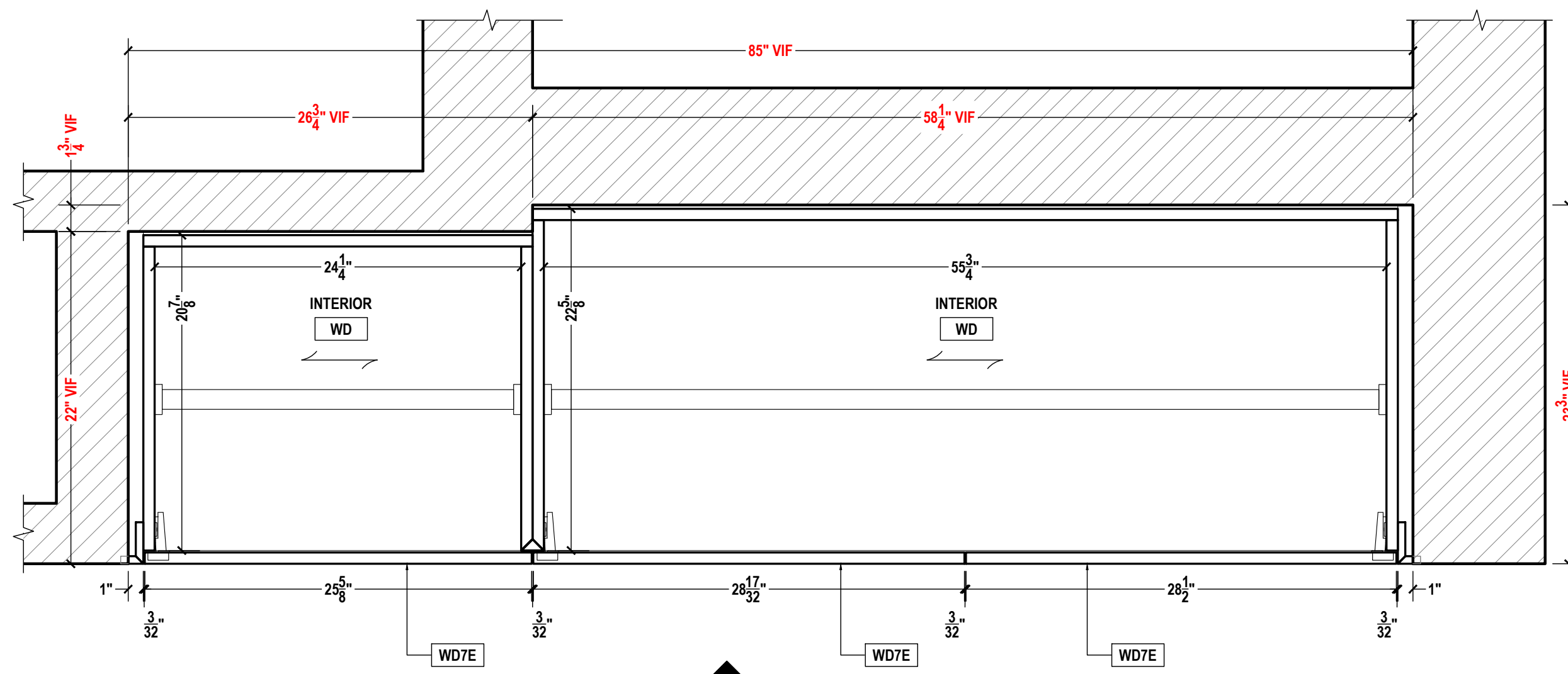
WOOD		GRAIN
KEY	COLOR	
WD7E	STAINED RIFT SAWN WHITE OAK	YES
INTERIOR FINISHES		GRAIN
KEY	COLOR	
WD	PREFINISHED MAPLE	YES

PM:	-
DRAWN BY:	TMS
DATE DRAWN:	10/11/2024
REVIEWED BY:	-

REVISIONS:

No.	DATE	DESCRIPTIONS	BY:
△	-	-	-
△	-	-	-
△	-	-	-
△	-	-	-
△	-	-	-
△	-	-	-
△	-	-	-
△	-	-	-

APPROVAL DATE	-
PLOT DATE	11/13/2024
PROJECT NUMBER	-----
ROOM NAME	102 - CORRIDOR
SHEET NUMBER	102.01



1 102 - CORRIDOR
 PLAN SECTION
 SCALE: 1-1/2"=1'-0" ARCH REF.: 1/A5.04



QCP	YES <input type="checkbox"/>	NO <input checked="" type="checkbox"/>
LEED	YES <input type="checkbox"/>	NO <input checked="" type="checkbox"/>
FSC	YES <input type="checkbox"/>	NO <input checked="" type="checkbox"/>
NAUF	YES <input type="checkbox"/>	NO <input checked="" type="checkbox"/>

FINISHES:

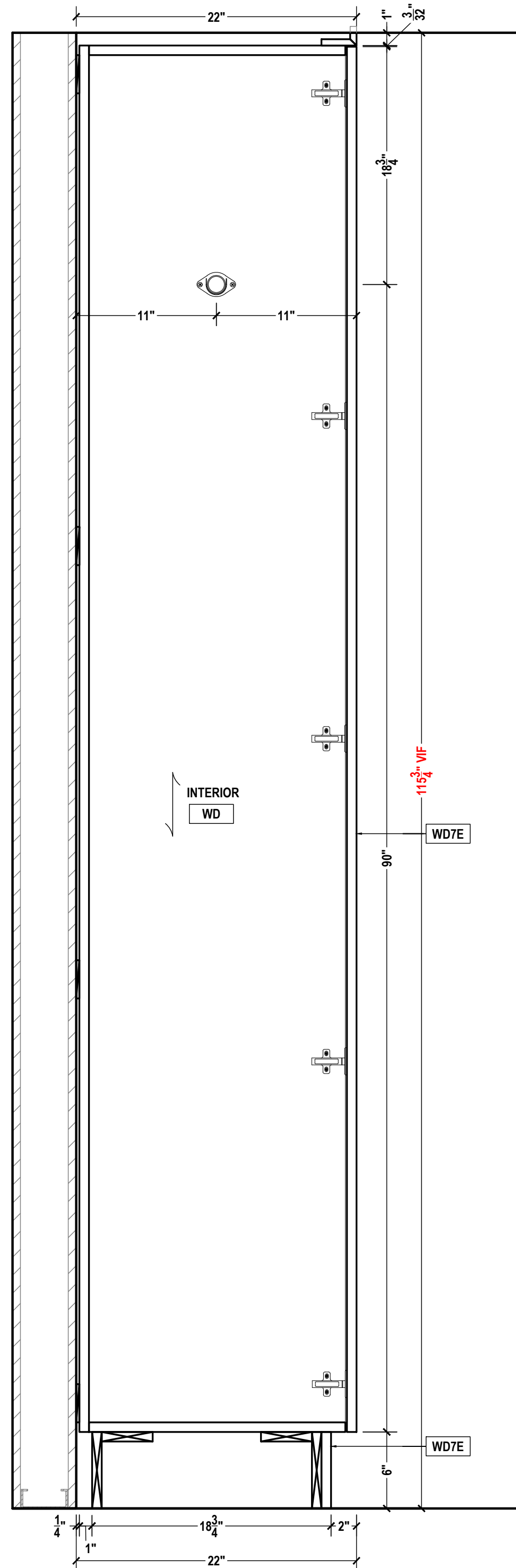
WOOD		
KEY	COLOR	GRAIN
WD7E	STAINED RIFT SAWN WHITE OAK	YES
INTERIOR FINISHES		
KEY	COLOR	GRAIN
WD	PREFINISHED MAPLE	YES

PM:	-
DRAWN BY:	TMS
DATE DRAWN:	10/11/2024
REVIEWED BY:	-

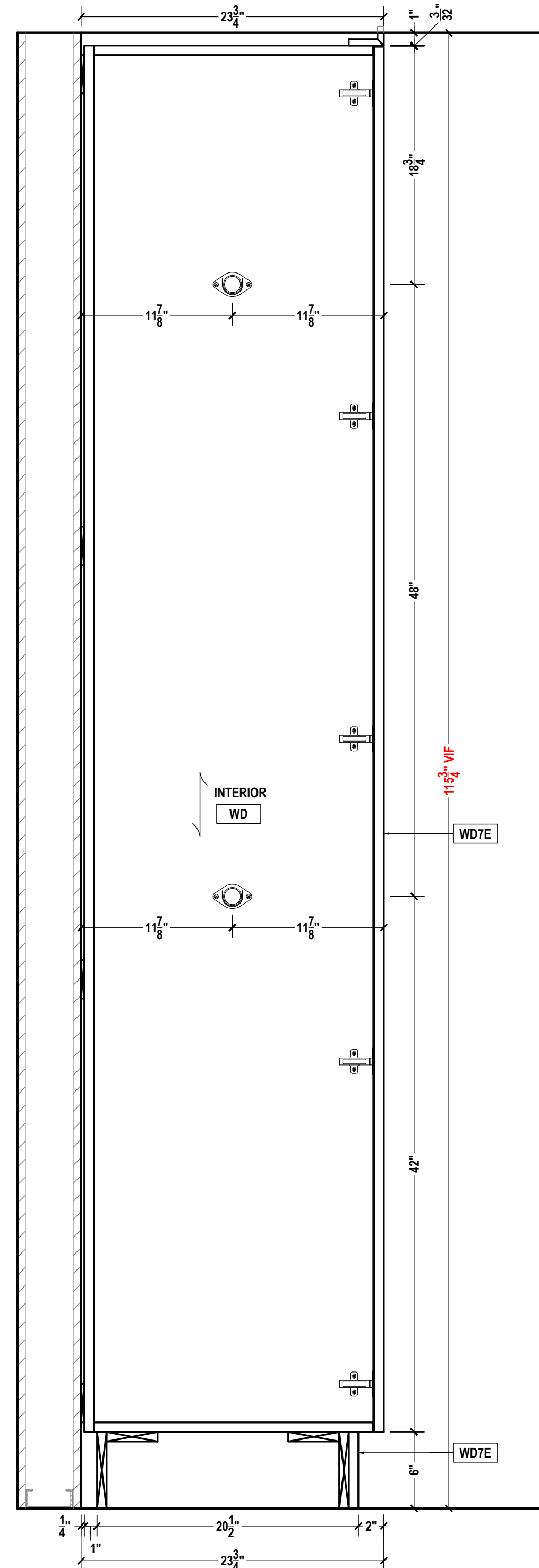
REVISIONS:

No.	DATE:	DESCRIPTIONS:	BY:
△	-	-	-
△	-	-	-
△	-	-	-
△	-	-	-
△	-	-	-
△	-	-	-
△	-	-	-
△	-	-	-

APPROVAL DATE	-
PLOT DATE	11/13/2024
PROJECT NUMBER	-----
ROOM NAME	102 - CORRIDOR
SHEET NUMBER	102.02



1 102 - CORRIDOR SECTION
SCALE: 1-1/2"=1'-0" ARCH REF.: N/A



2 102 - CORRIDOR SECTION
SCALE: 1-1/2"=1'-0" ARCH REF.: N/A



QCP	YES <input type="checkbox"/>	NO <input checked="" type="checkbox"/>
LEED	YES <input type="checkbox"/>	NO <input checked="" type="checkbox"/>
FSC	YES <input type="checkbox"/>	NO <input checked="" type="checkbox"/>
NAUF	YES <input type="checkbox"/>	NO <input checked="" type="checkbox"/>

FINISHES:

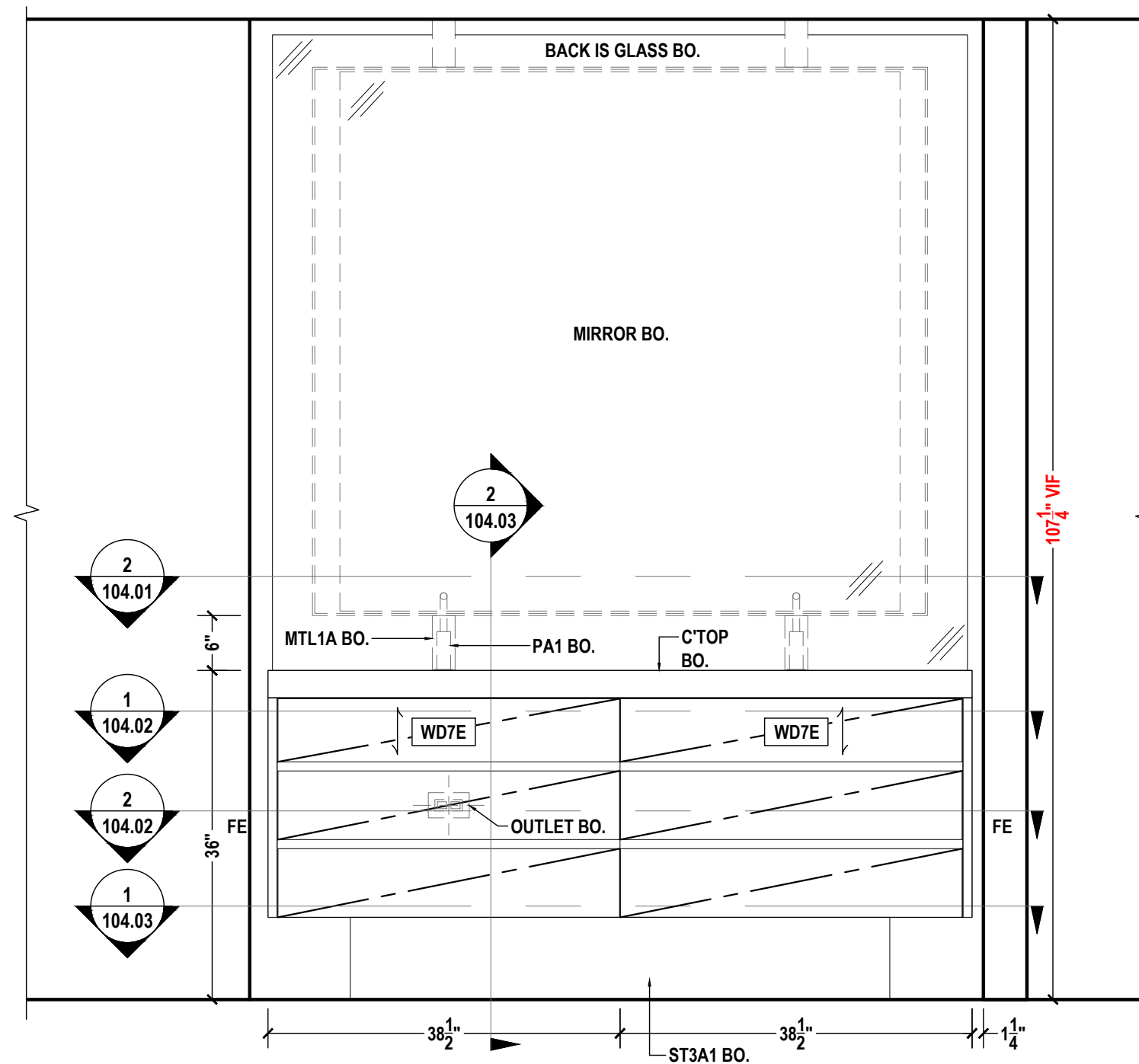
WOOD		
KEY	COLOR	GRAIN
WD7E	STAINED RIFT SAWN WHITE OAK	YES
INTERIOR FINISHES		
KEY	COLOR	GRAIN
WD	PREFINISHED MAPLE	YES

PM:	-
DRAWN BY:	TMS
DATE DRAWN:	10/11/2024
REVIEWED BY:	-

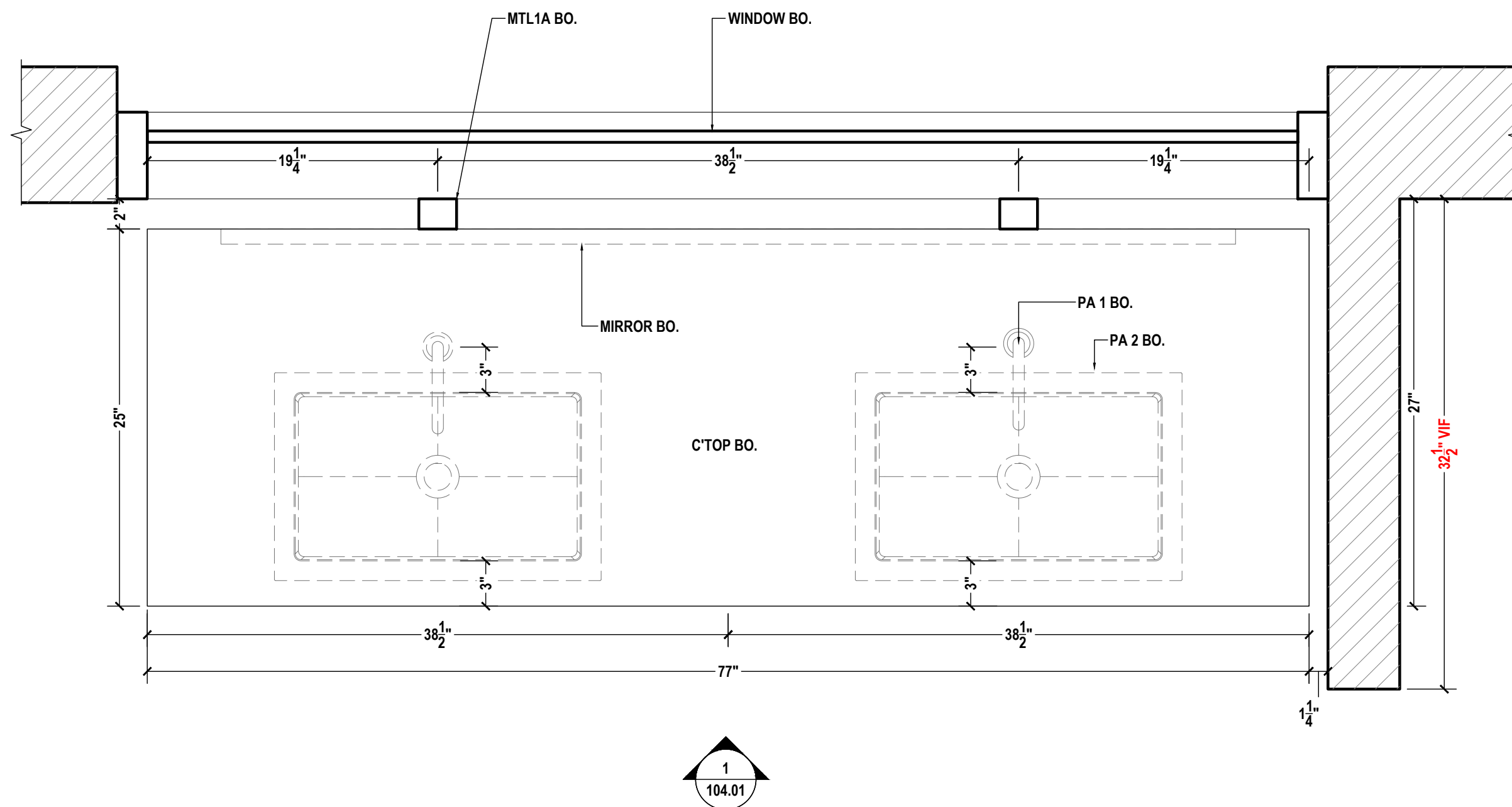
REVISIONS:

No.	DATE:	DESCRIPTIONS:	BY:
△	-	-	-
△	-	-	-
△	-	-	-
△	-	-	-
△	-	-	-
△	-	-	-
△	-	-	-
△	-	-	-

APPROVAL DATE	-
PLOT DATE	11/13/2024
PROJECT NUMBER	-----
ROOM NAME	102 - CORRIDOR
SHEET NUMBER	102.03



1 104 - BATH 2
ELEVATION
SCALE: 3/4"=1'-0" ARCH REF.: 7/A5.02



2 104 - BATH 2
PLAN SECTION
SCALE: 1-1/2"=1'-0" ARCH REF.: 1/A5.02



QCP	YES <input type="checkbox"/>	NO <input checked="" type="checkbox"/>
LEED	YES <input type="checkbox"/>	NO <input checked="" type="checkbox"/>
FSC	YES <input type="checkbox"/>	NO <input checked="" type="checkbox"/>
NAUF	YES <input type="checkbox"/>	NO <input checked="" type="checkbox"/>

FINISHES:

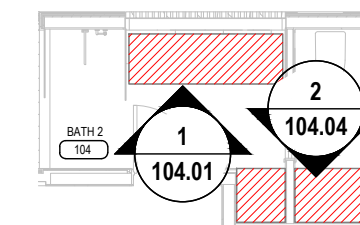
WOOD		GRAIN
KEY	COLOR	
WD7E	STAINED RIFT SAWN WHITE OAK	YES
INTERIOR FINISHES		GRAIN
KEY	COLOR	
WD	PREFINISHED MAPLE	YES
SPECIALS		GRAIN
KEY	COLOR	
MTL2A	METAL TO MATCH SVB RAW WHITE BRONZE	NO

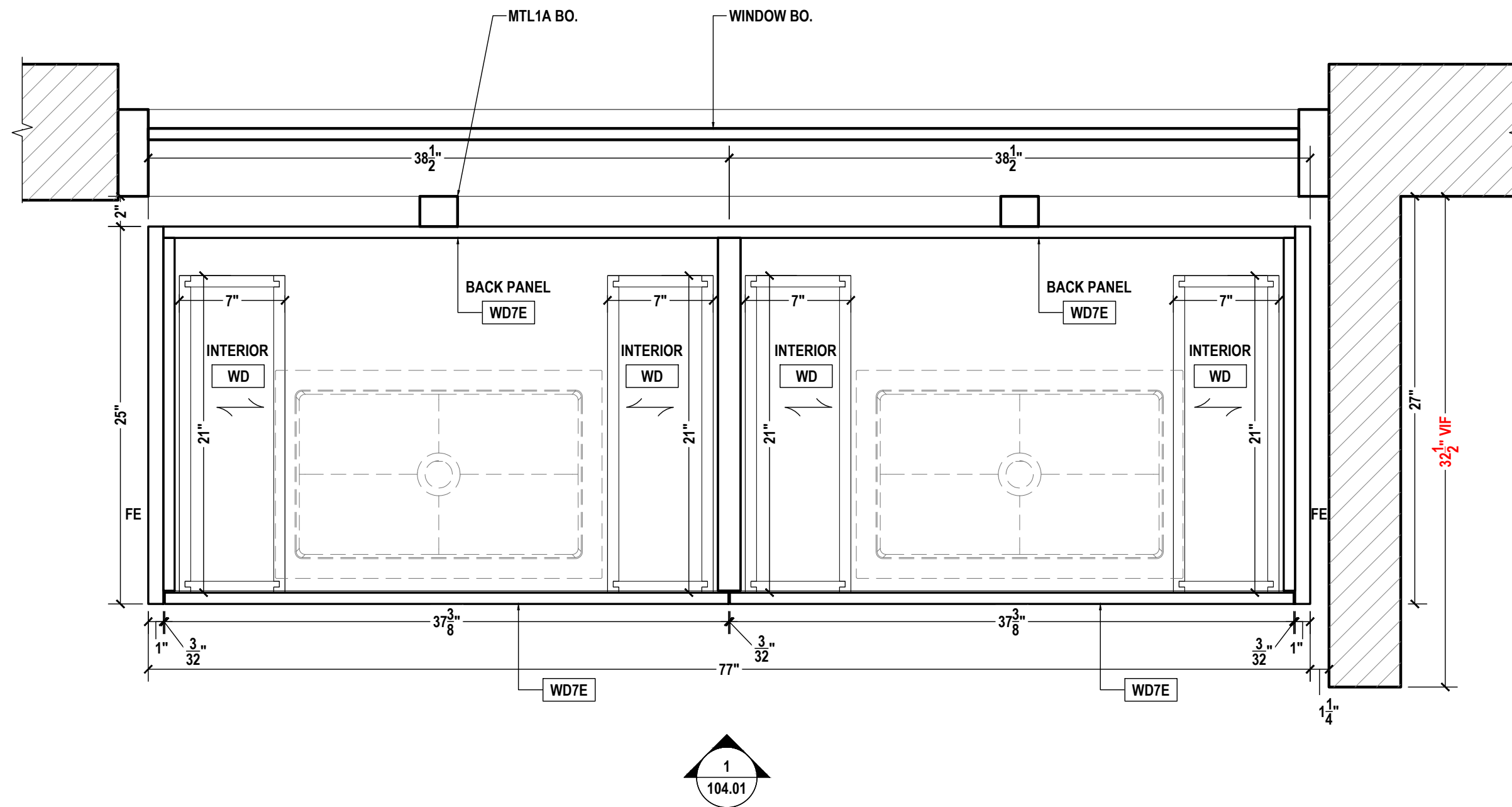
PM:	-
DRAWN BY:	TMS
DATE DRAWN:	10/11/2024
REVIEWED BY:	-

REVISIONS:

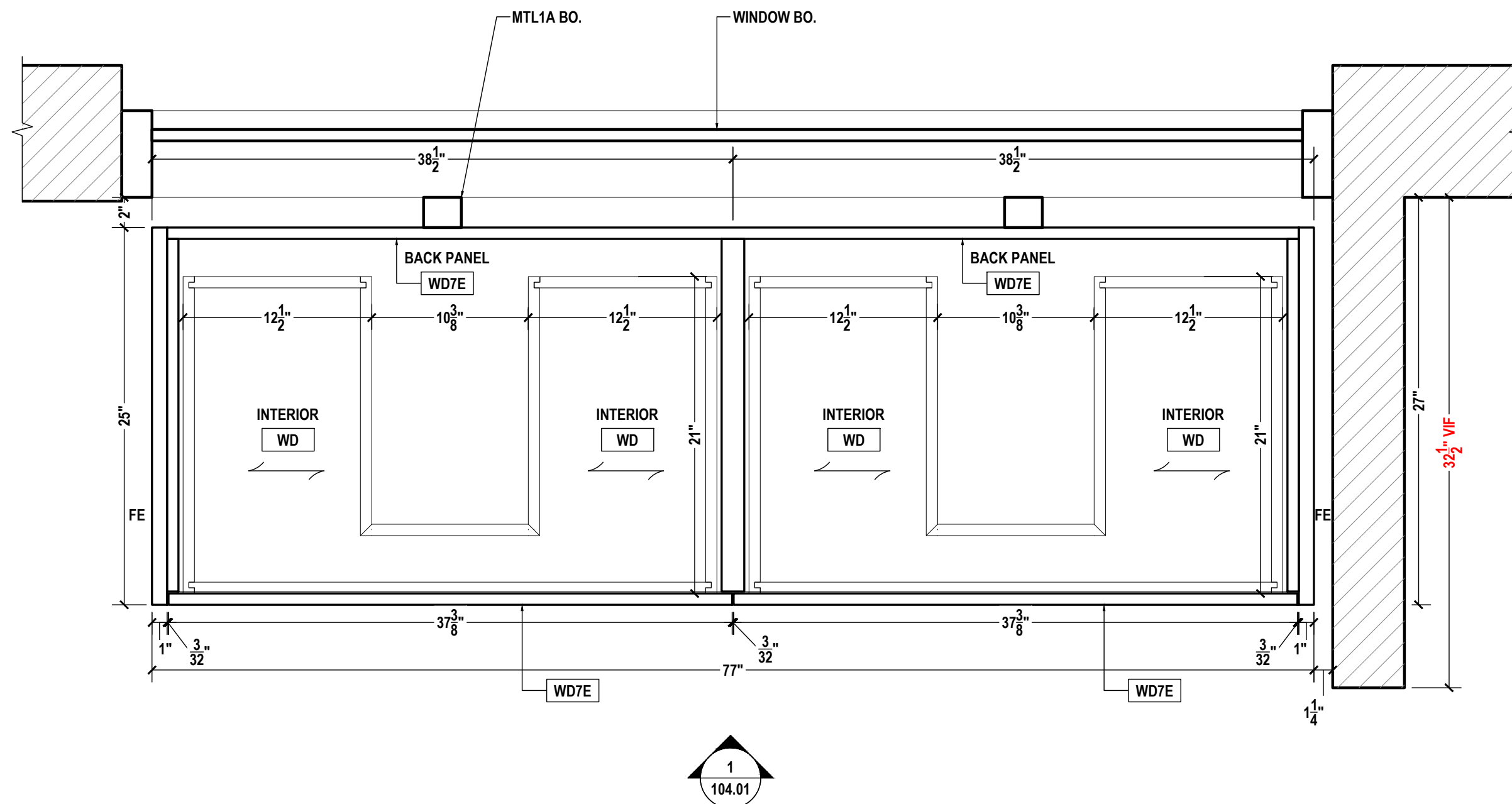
No.	DATE	DESCRIPTIONS	BY:
△	-	-	-
△	-	-	-
△	-	-	-
△	-	-	-
△	-	-	-
△	-	-	-
△	-	-	-
△	-	-	-

APPROVAL DATE	-
PLOT DATE	11/13/2024
PROJECT NUMBER	-----
ROOM NAME	104 - BATH 2
SHEET NUMBER	104.01





1 104 - BATH 2
 PLAN SECTION
 SCALE: 1-1/2"=1'-0" ARCH REF.: N/A



2 104 - BATH 2
 PLAN SECTION
 SCALE: 1-1/2"=1'-0" ARCH REF.: N/A



QCP	YES <input type="checkbox"/>	NO <input checked="" type="checkbox"/>
LEED	YES <input type="checkbox"/>	NO <input checked="" type="checkbox"/>
FSC	YES <input type="checkbox"/>	NO <input checked="" type="checkbox"/>
NAUF	YES <input type="checkbox"/>	NO <input checked="" type="checkbox"/>

FINISHES:

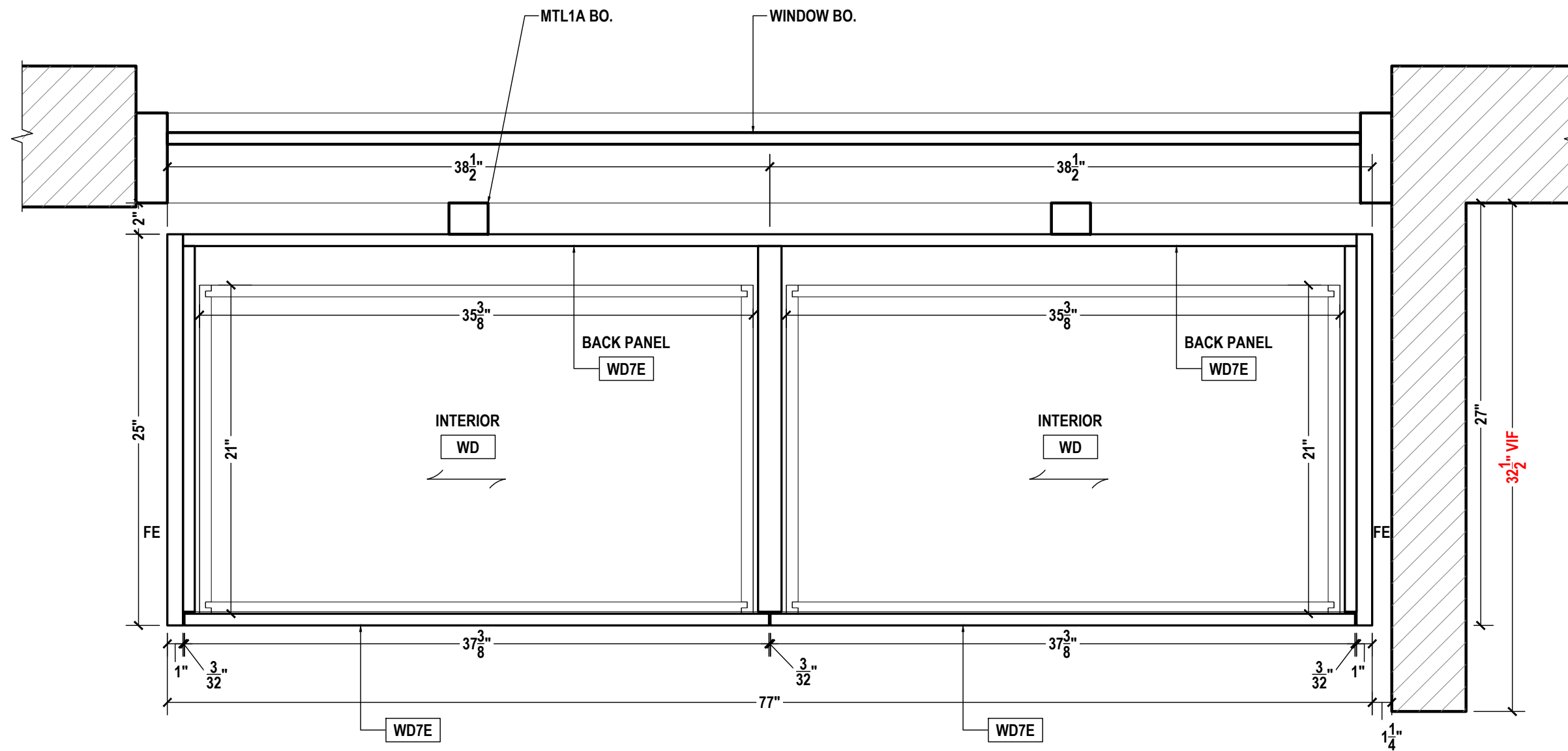
KEY	WOOD COLOR	GRAIN
WD7E	STAINED RIPT SAWN WHITE OAK	YES
KEY	INTERIOR FINISHES COLOR	GRAIN
WD	PREFINISHED MAPLE	YES
KEY	SPECIALS COLOR	GRAIN
MTL2A	METAL TO MATCH S/B RAW WHITE BRONZE	NO

PM:	-
DRAWN BY:	TMS
DATE DRAWN:	10/11/2024
REVIEWED BY:	-

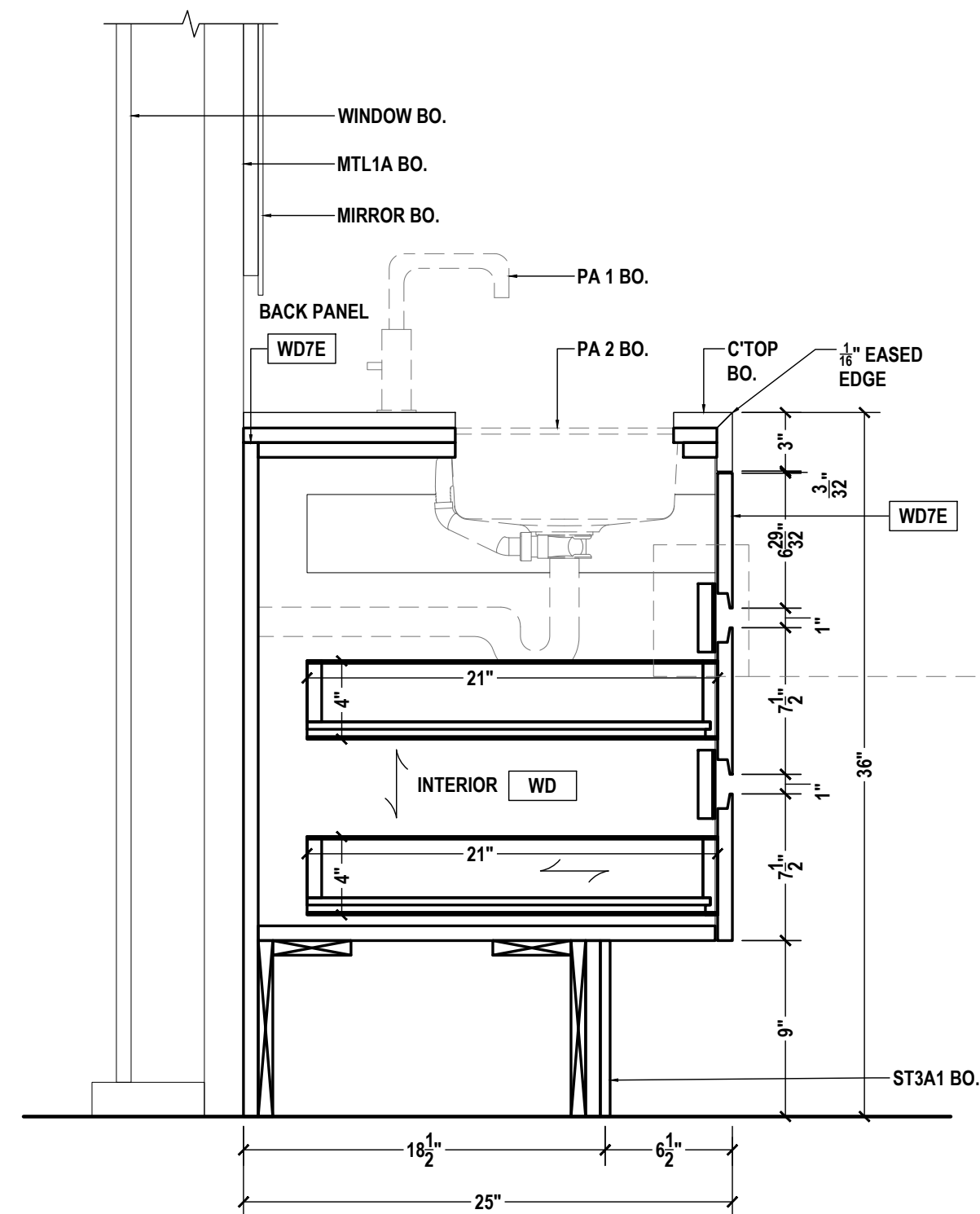
REVISIONS:

No.	DATE	DESCRIPTIONS	BY:
△	-	-	-
△	-	-	-
△	-	-	-
△	-	-	-
△	-	-	-
△	-	-	-
△	-	-	-
△	-	-	-

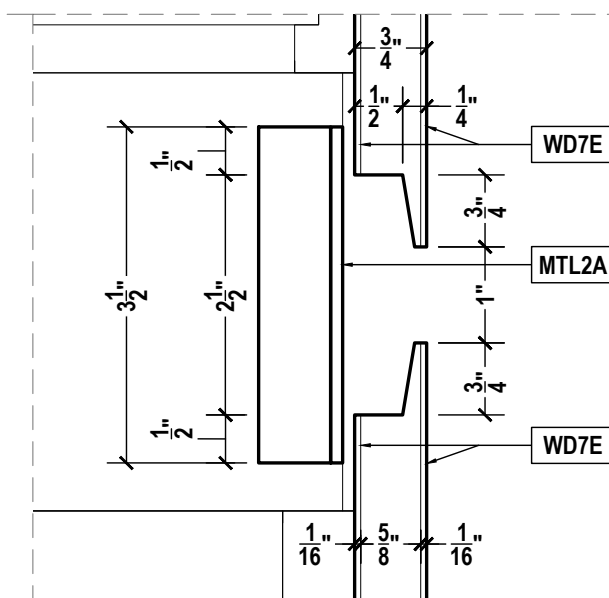
APPROVAL DATE	-
PLOT DATE	11/13/2024
PROJECT NUMBER	-----
ROOM NAME	104 - BATH 2
SHEET NUMBER	104.02



1 104 - BATH 2
 PLAN SECTION
 SCALE: 1-1/2"=1'-0" ARCH REF.: N/A



2 104 - BATH 2
 SECTION
 SCALE: 1-1/2"=1'-0" ARCH REF.: 3/A9.02



4 104 - BATH 2
 DETAIL
 SCALE: 6"=1'0" ARCH REF.: 2/A9.20

	QCP	YES <input type="checkbox"/>	NO <input checked="" type="checkbox"/>
	LEED	YES <input type="checkbox"/>	NO <input checked="" type="checkbox"/>
	FSC	YES <input type="checkbox"/>	NO <input checked="" type="checkbox"/>
	NAUF	YES <input type="checkbox"/>	NO <input checked="" type="checkbox"/>

FINISHES:

KEY	WOOD COLOR	GRAIN
WD7E	STAINED RIFT SAWN WHITE OAK	YES
INTERIOR FINISHES		
KEY	COLOR	GRAIN
WD	PREFINISHED MAPLE	YES
SPECIALS		
KEY	COLOR	GRAIN
MTL2A	METAL TO MATCH S/B RAW WHITE BRONZE	NO

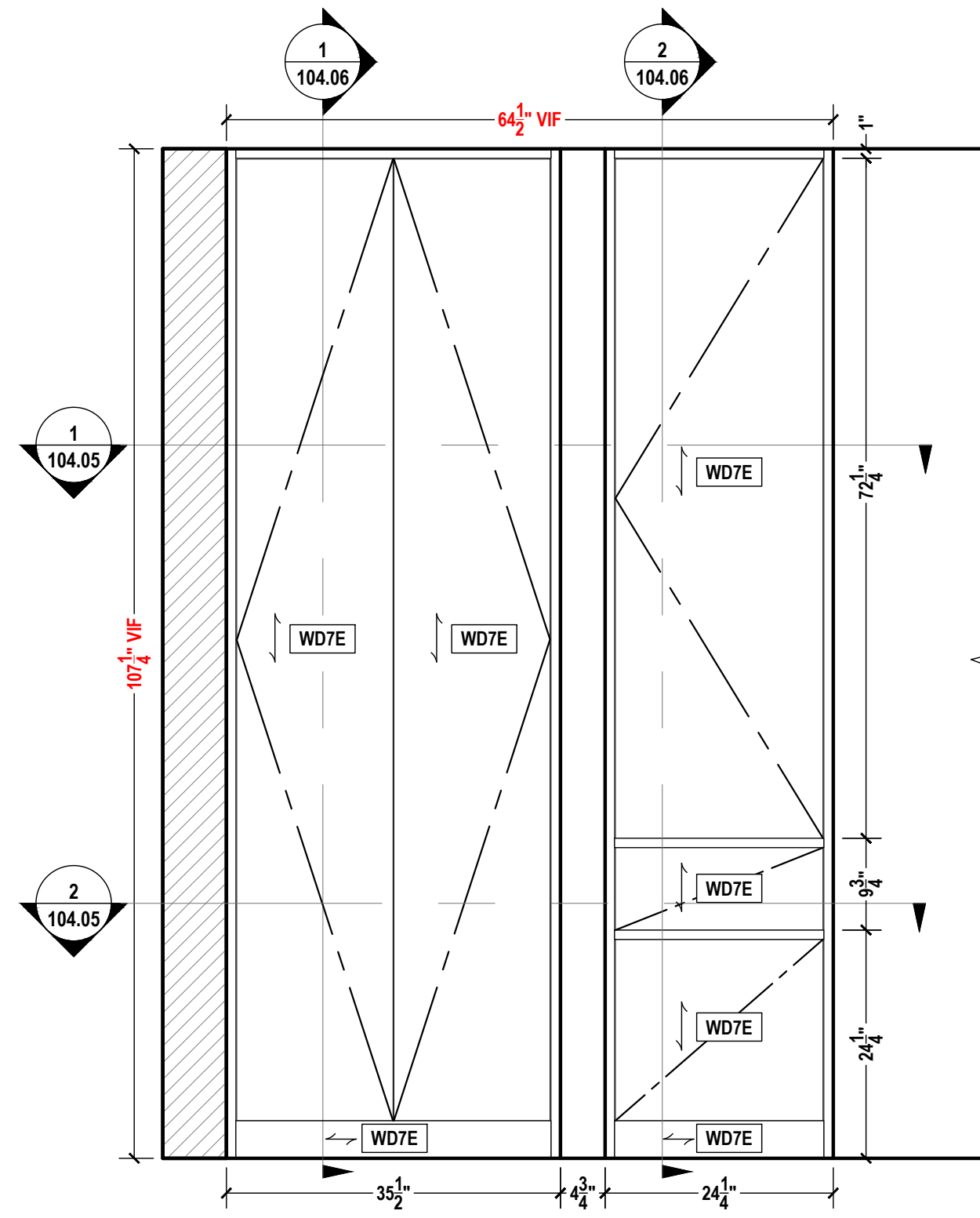
PM:	-
DRAWN BY:	TMS
DATE DRAWN:	10/11/2024
REVIEWED BY:	-

REVISIONS:

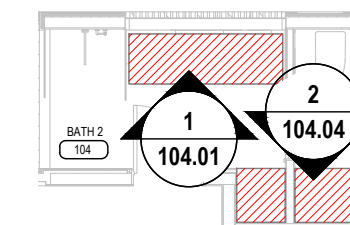
No.	DATE	DESCRIPTIONS	BY:
△	-	-	-
△	-	-	-
△	-	-	-
△	-	-	-
△	-	-	-
△	-	-	-
△	-	-	-
△	-	-	-

APPROVAL DATE	-
PLOT DATE	11/13/2024
PROJECT NUMBER	-----
ROOM NAME	104 - BATH 2
SHEET NUMBER	104.03

**** NOTE TO ARCH AND G.C. ****
 REFERENCE RFI LIST ON SHEET 1CS.02
 PLEASE CONFIRM HOW WARDROBE
 CABINET WILL OPEN



1 104 - BATH 2
 ELEVATION
 SCALE: 3/4"=1'-0" ARCH REF.: 5/A5.02



QCP	YES <input type="checkbox"/>	NO <input checked="" type="checkbox"/>
LEED	YES <input type="checkbox"/>	NO <input checked="" type="checkbox"/>
FSC	YES <input type="checkbox"/>	NO <input checked="" type="checkbox"/>
NAUF	YES <input type="checkbox"/>	NO <input checked="" type="checkbox"/>

FINISHES:

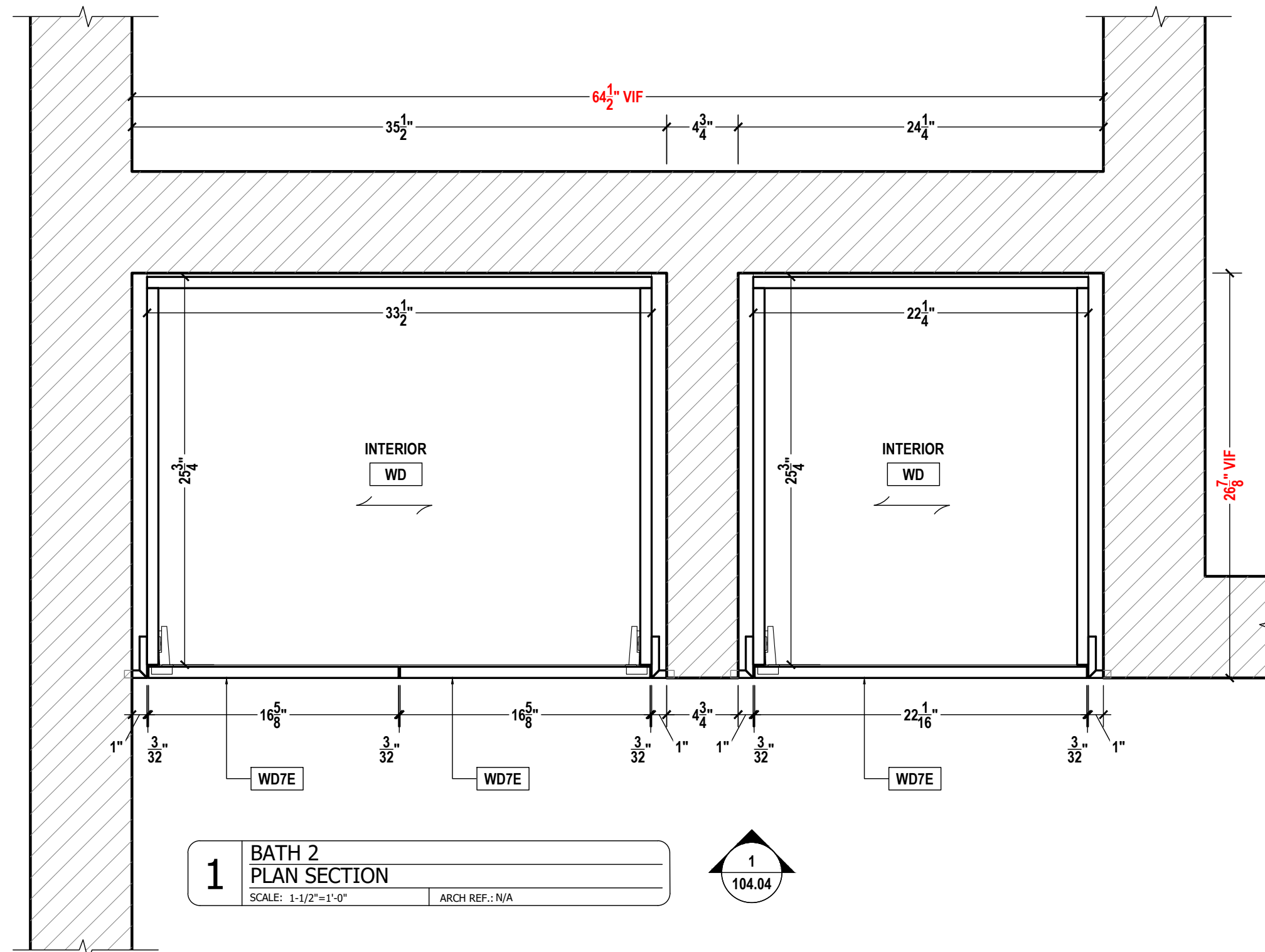
WOOD		
KEY	COLOR	GRAIN
WD7E	STAINED RIFT SAWN WHITE OAK	YES
INTERIOR FINISHES		
KEY	COLOR	GRAIN
WD	PREFINISHED MAPLE	YES
SPECIALS		
KEY	COLOR	GRAIN
MTL2A	METAL TO MATCH SVB RAW WHITE BRONZE	NO

PM:	-
DRAWN BY:	TMS
DATE DRAWN:	10/11/2024
REVIEWED BY:	-

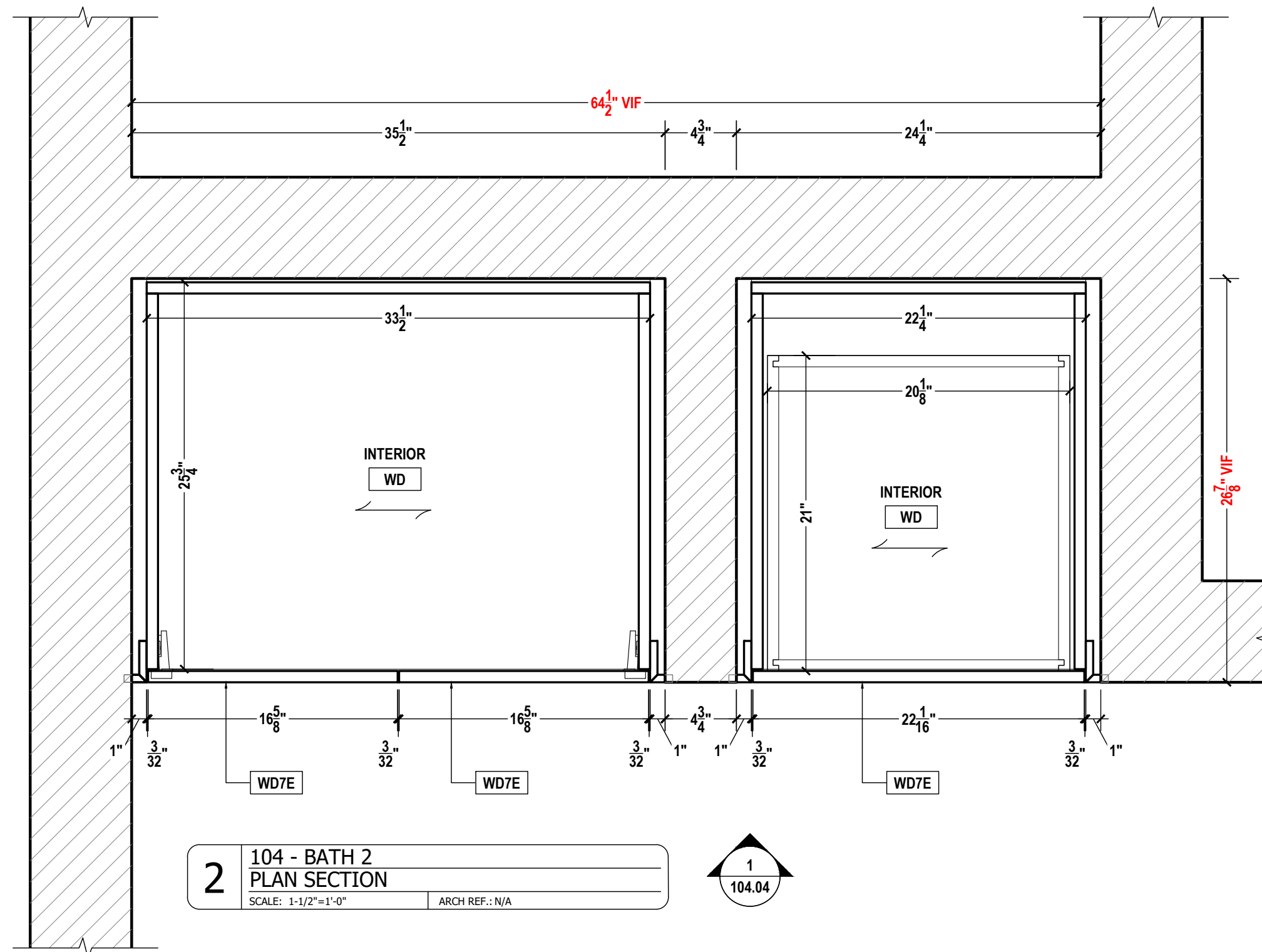
REVISIONS:

No.	DATE:	DESCRIPTIONS:	BY:
△	-	-	-
△	-	-	-
△	-	-	-
△	-	-	-
△	-	-	-
△	-	-	-
△	-	-	-
△	-	-	-

APPROVAL DATE	-
PLOT DATE	11/13/2024
PROJECT NUMBER	-----
ROOM NAME	104 - BATH 2
SHEET NUMBER	104.04



1 BATH 2
 PLAN SECTION
 SCALE: 1-1/2"=1'-0" ARCH REF.: N/A



2 104 - BATH 2
 PLAN SECTION
 SCALE: 1-1/2"=1'-0" ARCH REF.: N/A



QCP	YES <input type="checkbox"/>	NO <input checked="" type="checkbox"/>
LEED	YES <input type="checkbox"/>	NO <input checked="" type="checkbox"/>
FSC	YES <input type="checkbox"/>	NO <input checked="" type="checkbox"/>
NAUF	YES <input type="checkbox"/>	NO <input checked="" type="checkbox"/>

FINISHES:

WOOD		GRAIN
KEY	COLOR	YES
WD7E	STAINED RIFT SAWN WHITE OAK	YES
INTERIOR FINISHES		GRAIN
KEY	COLOR	YES
WD	PREFINISHED MAPLE	YES
SPECIALS		GRAIN
KEY	COLOR	YES
MTL2A	METAL TO MATCH SVB RAW WHITE BRONZE	NO

PM:	-
DRAWN BY:	TMS
DATE DRAWN:	10/11/2024
REVIEWED BY:	-

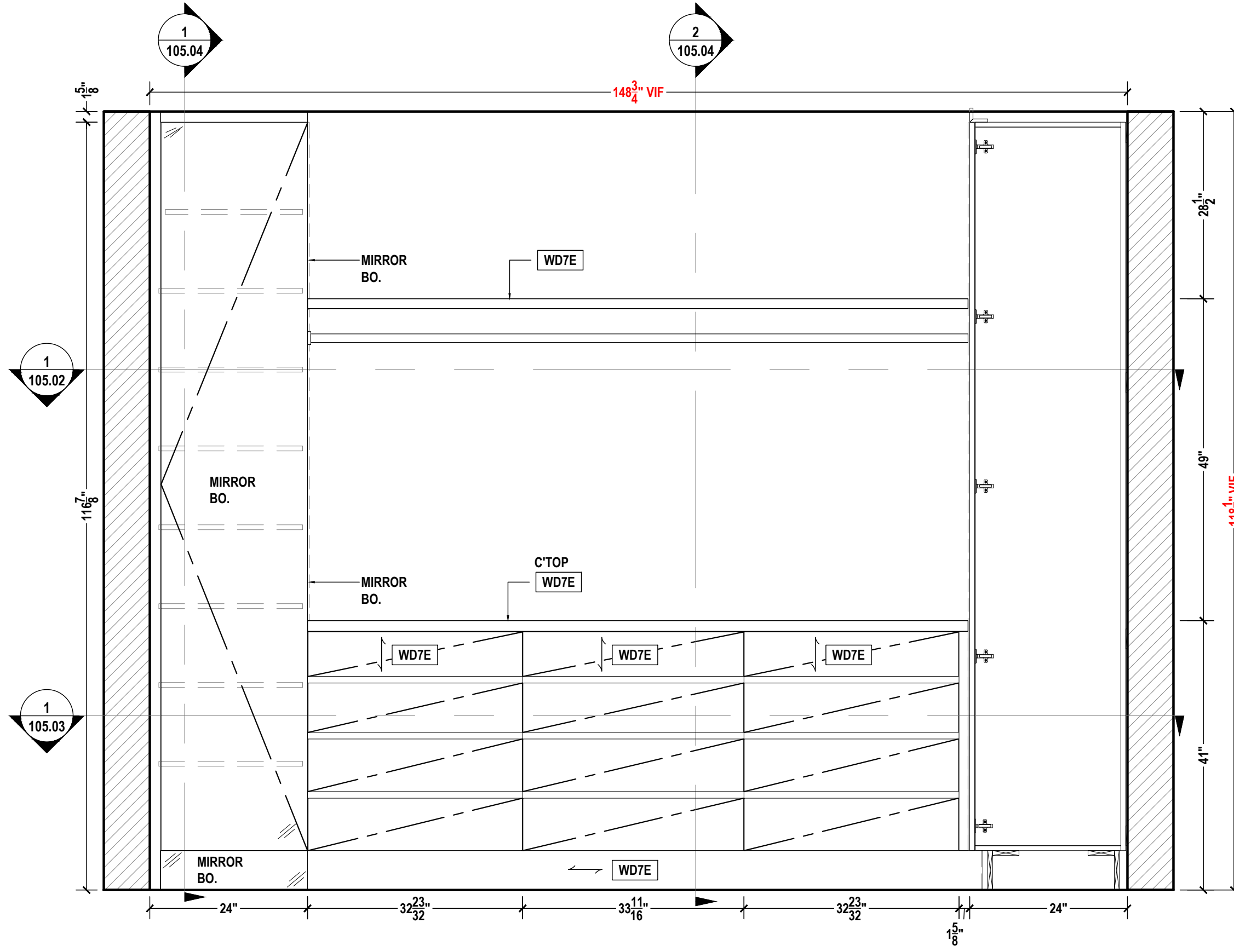
REVISIONS:

No.	DATE	DESCRIPTIONS	BY:
△	-	-	-
△	-	-	-
△	-	-	-
△	-	-	-
△	-	-	-
△	-	-	-
△	-	-	-
△	-	-	-

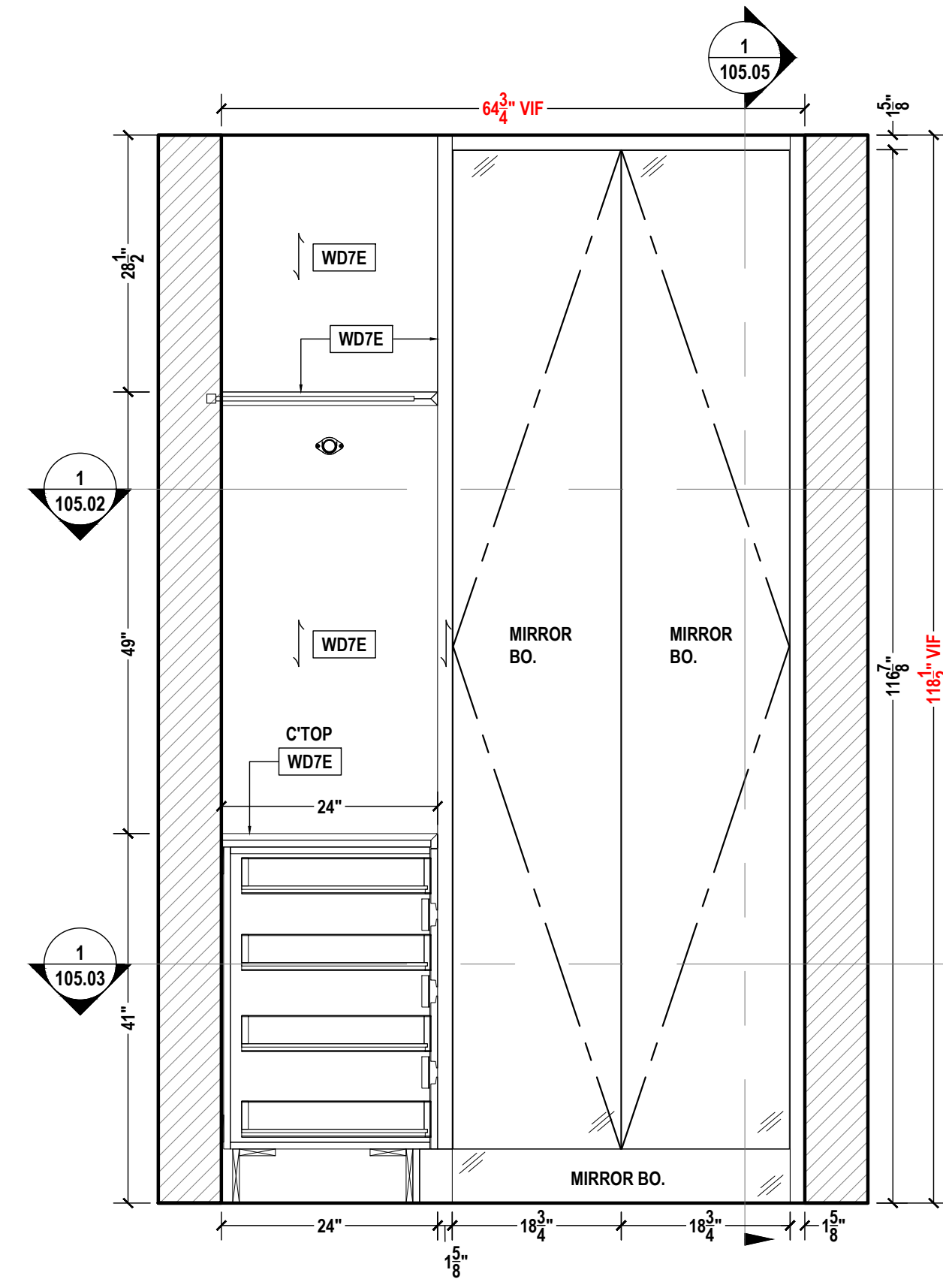
APPROVAL DATE	-
PLOT DATE	11/13/2024
PROJECT NUMBER	-----
ROOM NAME	104 - BATH 2
SHEET NUMBER	104.05

**** NOTE TO ARCH AND G.C. ****
 REFERENCE RFI LIST ON SHEET 1CS.02
 PLEASE CONFIRM HOW WARDROBE
 CABINET WILL OPEN

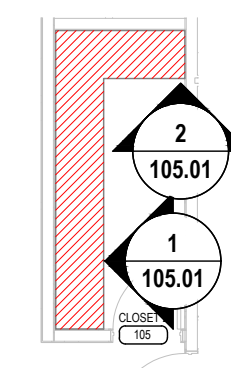
**** NOTE TO ARCH AND G.C. ****
 REFERENCE RFI LIST ON SHEET 1CS.02
 PLEASE SPECIFY MIRROR THICKNESS
 FOR WARDROBES



1 105 - CLOSET 2
 ELEVATION
 SCALE: 3/4"=1'-0" ARCH REF.: 11/A5.02



2 105 - CLOSET 2
 ELEVATION
 SCALE: 3/4"=1'-0" ARCH REF.: 9/A5.02



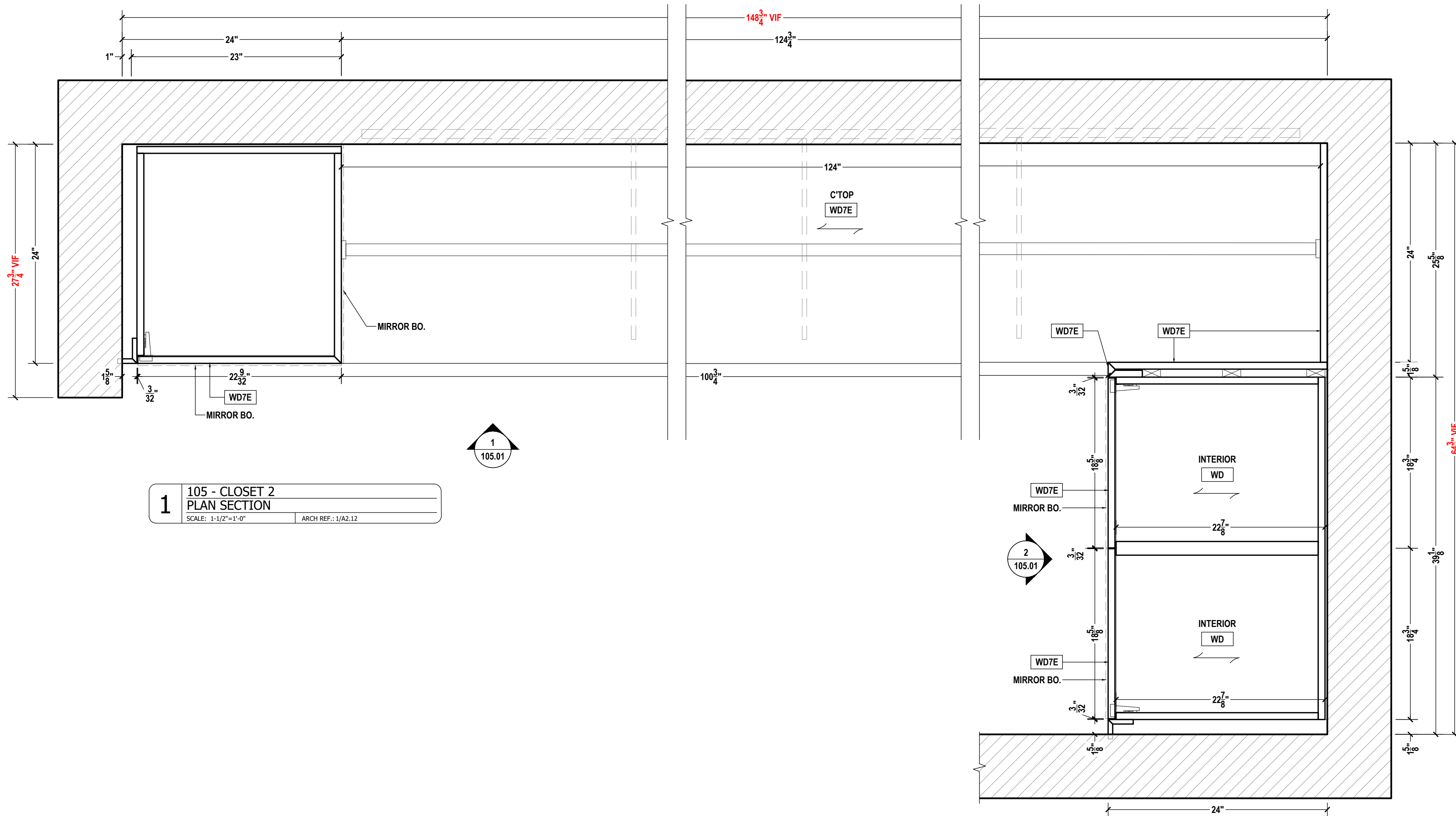
QCP	YES <input type="checkbox"/>	NO <input checked="" type="checkbox"/>
LEED	YES <input type="checkbox"/>	NO <input checked="" type="checkbox"/>
FSC	YES <input type="checkbox"/>	NO <input checked="" type="checkbox"/>
NAUF	YES <input type="checkbox"/>	NO <input checked="" type="checkbox"/>

FINISHES:		
KEY	WOOD COLOR	GRAIN
WD7E	STAINED RIFT SAWN WHITE OAK	YES
INTERIOR FINISHES		
KEY	COLOR	GRAIN
WD	PREFINISHED MAPLE	YES
SPECIALS		
KEY	COLOR	GRAIN
MTL2A	METAL TO MATCH SVB RAW WHITE BRONZE	NO

PM:	-
DRAWN BY:	TMS
DATE DRAWN:	10/11/2024
REVIEWED BY:	-

REVISIONS:			
No.	DATE	DESCRIPTIONS	BY:
△	-	-	-
△	-	-	-
△	-	-	-
△	-	-	-
△	-	-	-
△	-	-	-
△	-	-	-
△	-	-	-

APPROVAL DATE	-
PLOT DATE	11/13/2024
PROJECT NUMBER	-----
ROOM NAME	105 - CLOSET 2
SHEET NUMBER	105.01



1 105 - CLOSET 2
 PLAN SECTION
 SCALE: 1-1/2"=1'-0" ARCH REF.: 1/A2.12



QCP	YES <input type="checkbox"/>	NO <input checked="" type="checkbox"/>
LEED	YES <input type="checkbox"/>	NO <input checked="" type="checkbox"/>
FSC	YES <input type="checkbox"/>	NO <input checked="" type="checkbox"/>
NAUF	YES <input type="checkbox"/>	NO <input checked="" type="checkbox"/>

FINISHES:

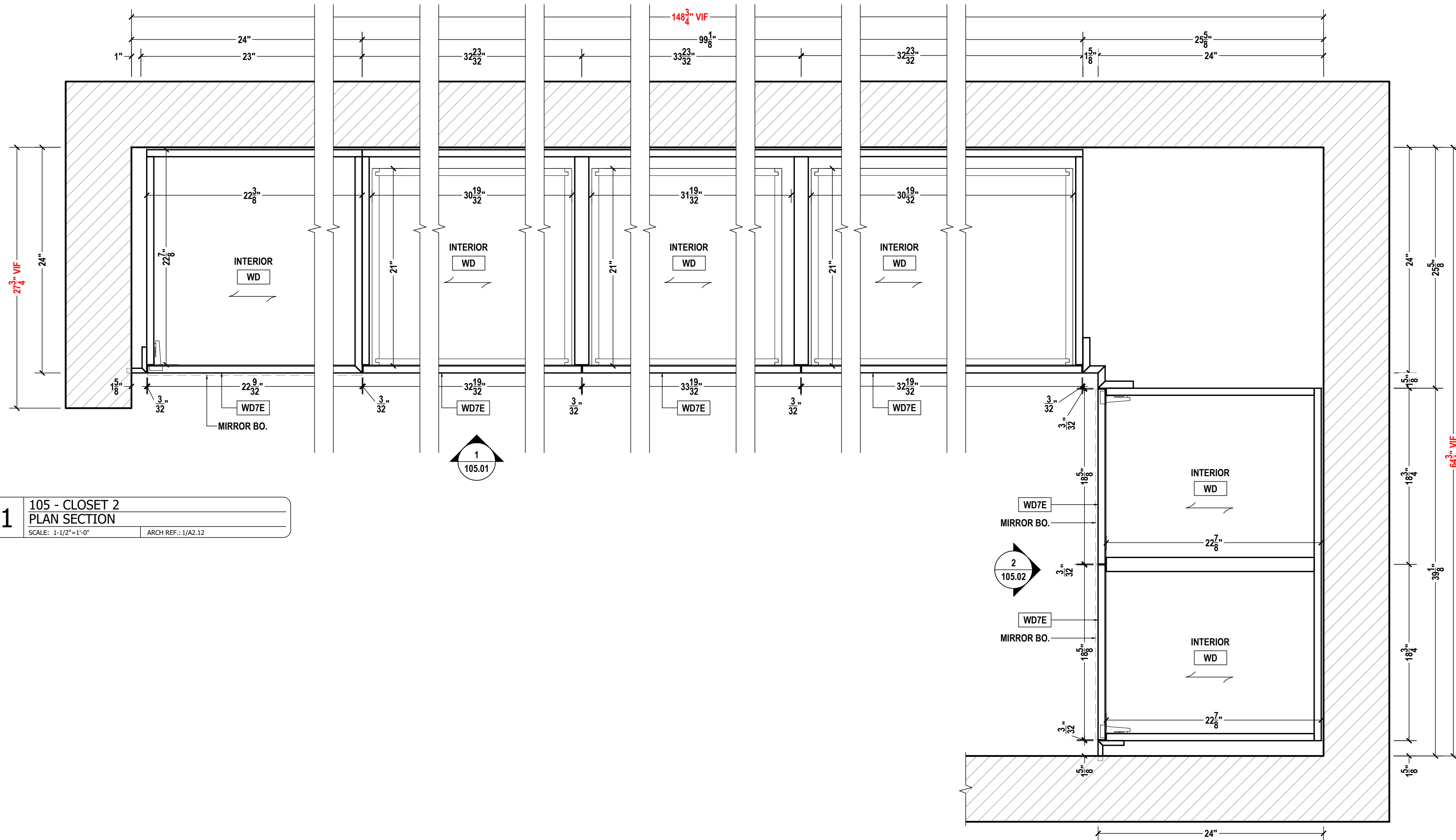
KEY	WOOD COLOR	GRAIN
WD7E	STAINED RIFT SAWN WHITE OAK	YES
KEY	INTERIOR FINISHES COLOR	GRAIN
WD	PREFINISHED MAPLE	YES
KEY	SPECIALS COLOR	GRAIN
MTL2A	METAL TO MATCH SVB RAW WHITE BRONZE	NO

PM:	-
DRAWN BY:	TMS
DATE DRAWN:	10/11/2024
REVIEWED BY:	-

REVISIONS:

No.	DATE	DESCRIPTIONS	BY:
△	-	-	-
△	-	-	-
△	-	-	-
△	-	-	-
△	-	-	-
△	-	-	-
△	-	-	-
△	-	-	-

APPROVAL DATE	-
PLOT DATE	11/13/2024
PROJECT NUMBER	-----
ROOM NAME	105 - CLOSET 2
SHEET NUMBER	105.02



1 105 - CLOSET 2
 PLAN SECTION
 SCALE: 1-1/2"=1'-0" ARCH REF.: 1/A2.12

1
105.01

2
105.02



QCP	YES <input type="checkbox"/>	NO <input checked="" type="checkbox"/>
LEED	YES <input type="checkbox"/>	NO <input checked="" type="checkbox"/>
FSC	YES <input type="checkbox"/>	NO <input checked="" type="checkbox"/>
NAUF	YES <input type="checkbox"/>	NO <input checked="" type="checkbox"/>

FINISHES:

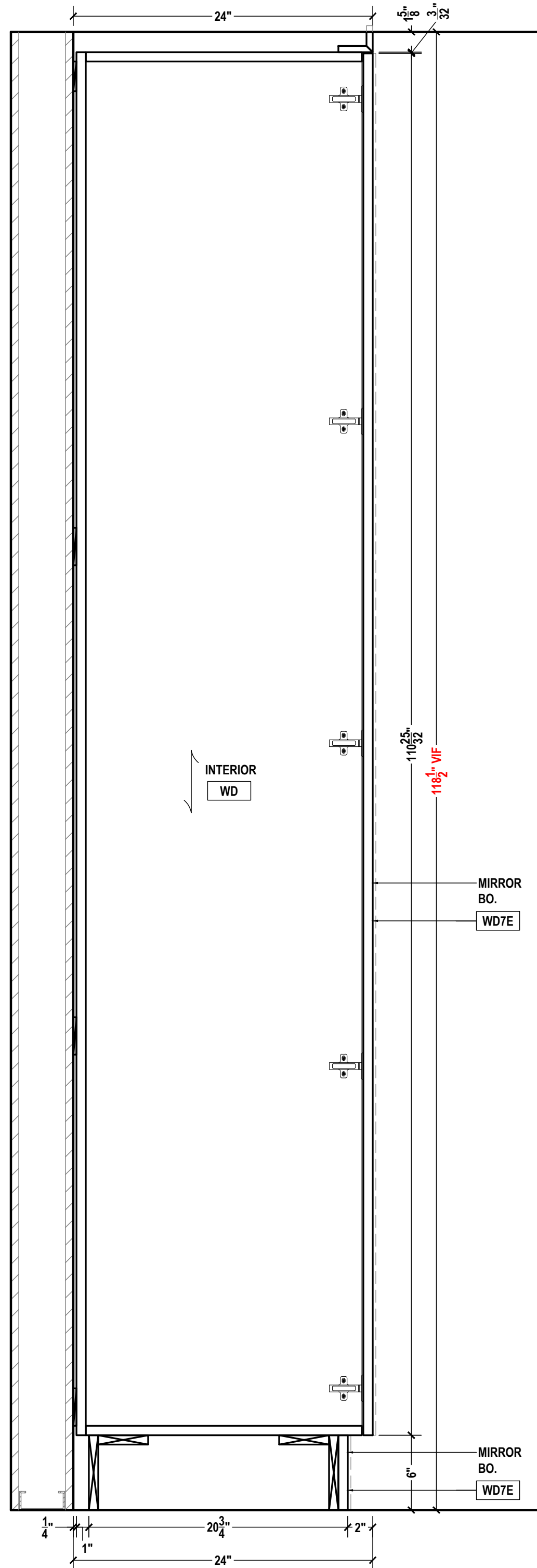
KEY	WOOD COLOR	GRAIN
WD7E	STAINED RIPT SAWN WHITE OAK	YES
KEY	INTERIOR FINISHES COLOR	GRAIN
WD	PREFINISHED MAPLE	YES
KEY	SPECIALS COLOR	GRAIN
MTL2A	METAL TO MATCH S/B RAW WHITE BRONZE	NO

PM:	-
DRAWN BY:	TMS
DATE DRAWN:	10/11/2024
REVIEWED BY:	-

REVISIONS:

No.	DATE	DESCRIPTIONS	BY:
△	-	-	-
△	-	-	-
△	-	-	-
△	-	-	-
△	-	-	-
△	-	-	-
△	-	-	-
△	-	-	-

APPROVAL DATE	-
PLOT DATE	11/13/2024
PROJECT NUMBER	-----
ROOM NAME	105 - CLOSET 2
SHEET NUMBER	105.03



1 105 - CLOSET 2
SECTION
SCALE: 1-1/2"=1'-0" ARCH REF.: 2/A9.20



QCP	YES <input type="checkbox"/>	NO <input checked="" type="checkbox"/>
LEED	YES <input type="checkbox"/>	NO <input checked="" type="checkbox"/>
FSC	YES <input type="checkbox"/>	NO <input checked="" type="checkbox"/>
NAUF	YES <input type="checkbox"/>	NO <input checked="" type="checkbox"/>

FINISHES:

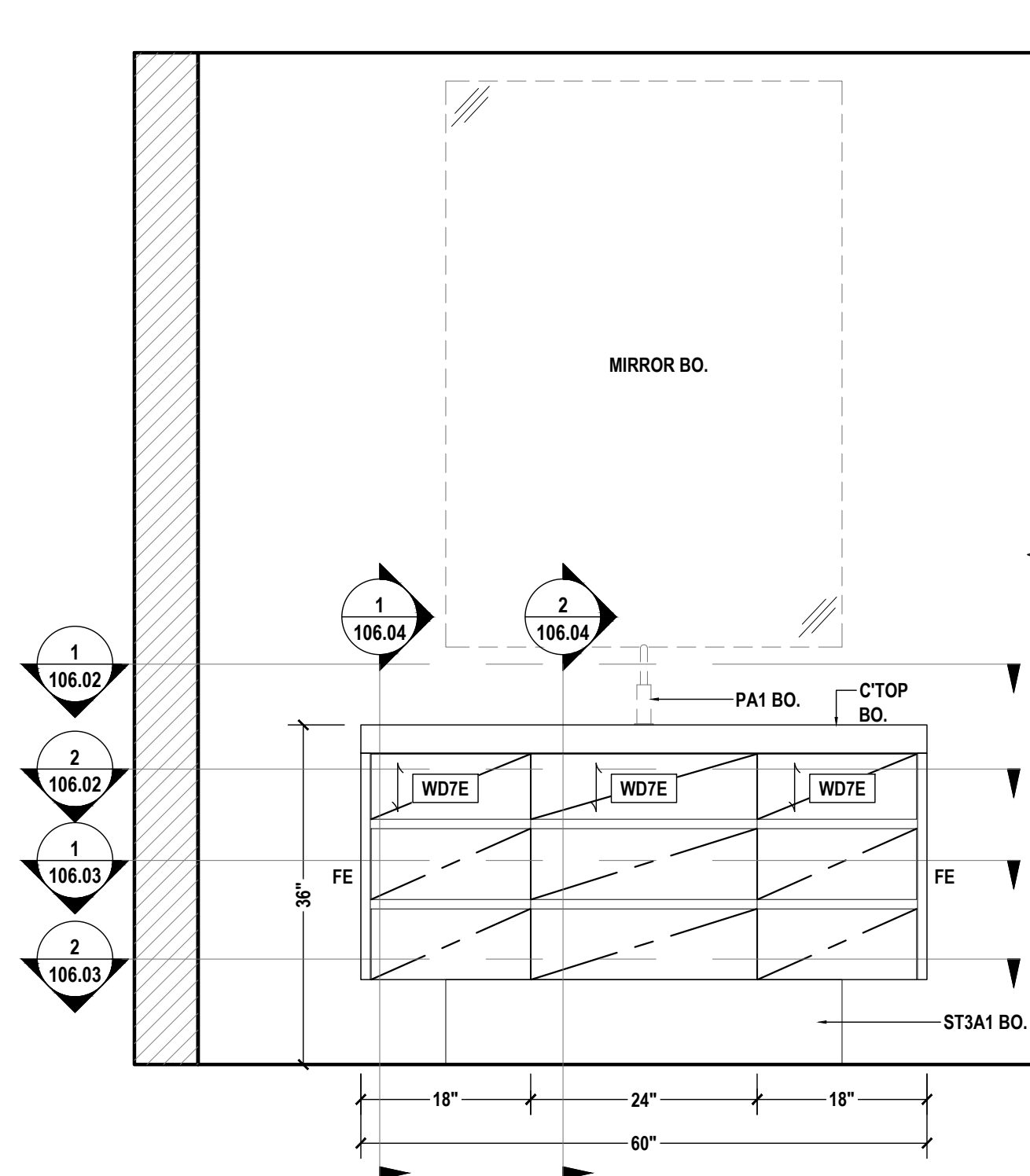
WOOD		GRAIN
KEY	COLOR	
WD7E	STAINED RIFT SAWN WHITE OAK	YES
INTERIOR FINISHES		GRAIN
KEY	COLOR	
WD	PREFINISHED MAPLE	YES
SPECIALS		GRAIN
KEY	COLOR	
MTL2A	METAL TO MATCH S/B RAW WHITE BRONZE	NO

PM:	-
DRAWN BY:	TMS
DATE DRAWN:	10/11/2024
REVIEWED BY:	-

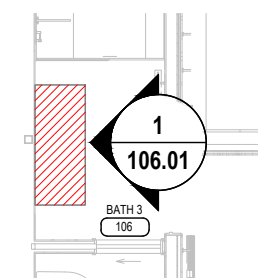
REVISIONS:

No.	DATE	DESCRIPTIONS	BY:
△	-	-	-
△	-	-	-
△	-	-	-
△	-	-	-
△	-	-	-
△	-	-	-
△	-	-	-
△	-	-	-

APPROVAL DATE	-
PLOT DATE	11/13/2024
PROJECT NUMBER	-----
ROOM NAME	105 - CLOSET 2
SHEET NUMBER	105.05



1 106 - BATH 3
ELEVATION
SCALE: 3/4"=1'-0" ARCH REF.: 4/A5.03



QCP	YES <input type="checkbox"/>	NO <input checked="" type="checkbox"/>
LEED	YES <input type="checkbox"/>	NO <input checked="" type="checkbox"/>
FSC	YES <input type="checkbox"/>	NO <input checked="" type="checkbox"/>
NAUF	YES <input type="checkbox"/>	NO <input checked="" type="checkbox"/>

FINISHES:

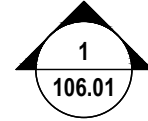
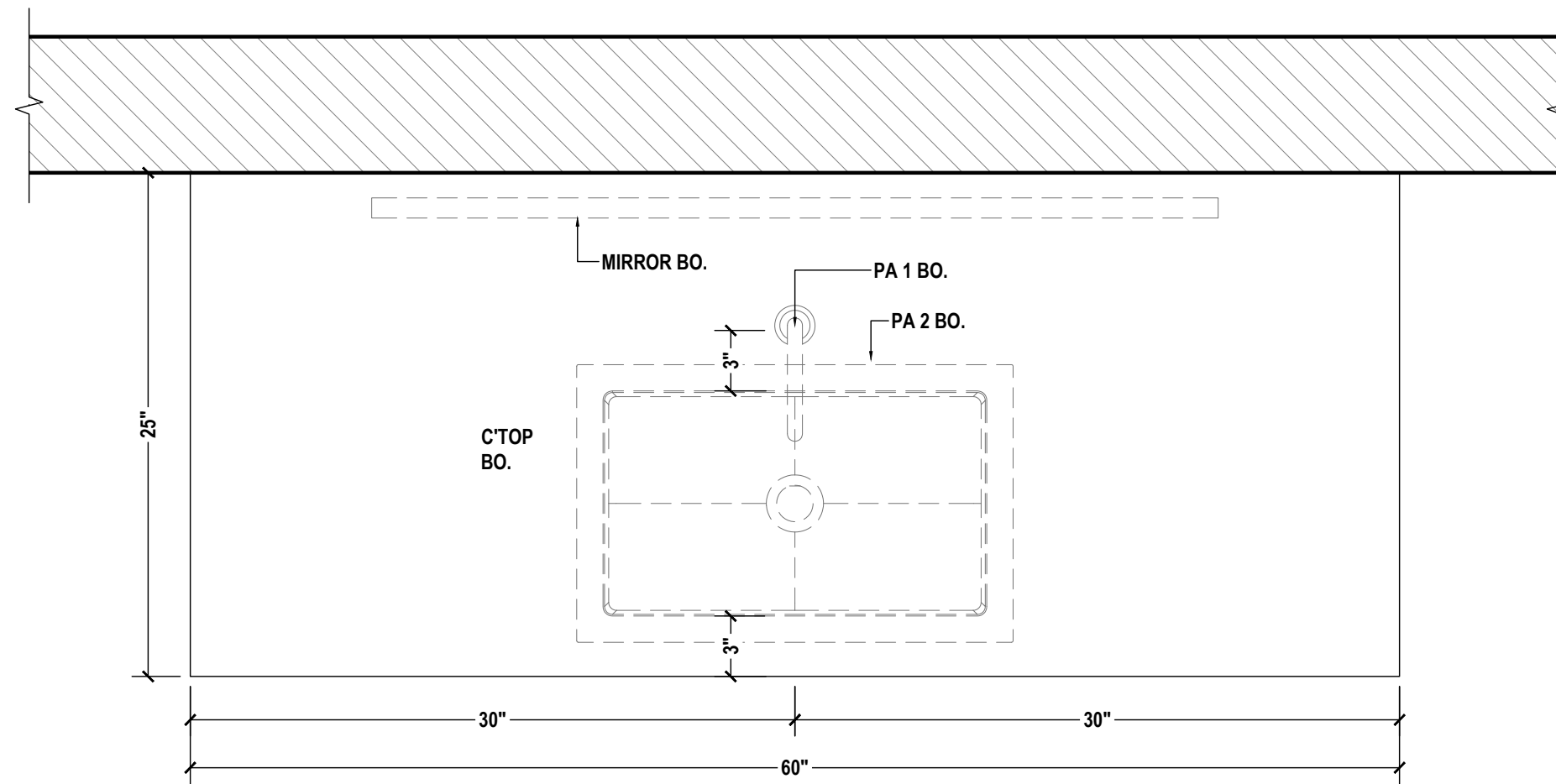
WOOD		GRAIN
KEY	COLOR	
WD7E	STAINED RIFT SAWN WHITE OAK	YES
INTERIOR FINISHES		GRAIN
KEY	COLOR	
WD	PREFINISHED MAPLE	YES
SPECIALS		GRAIN
KEY	COLOR	
MTL2A	METAL TO MATCH S/B RAW WHITE BRONZE	NO

PM:	-
DRAWN BY:	TMS
DATE DRAWN:	10/11/2024
REVIEWED BY:	-

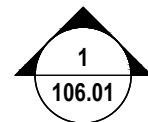
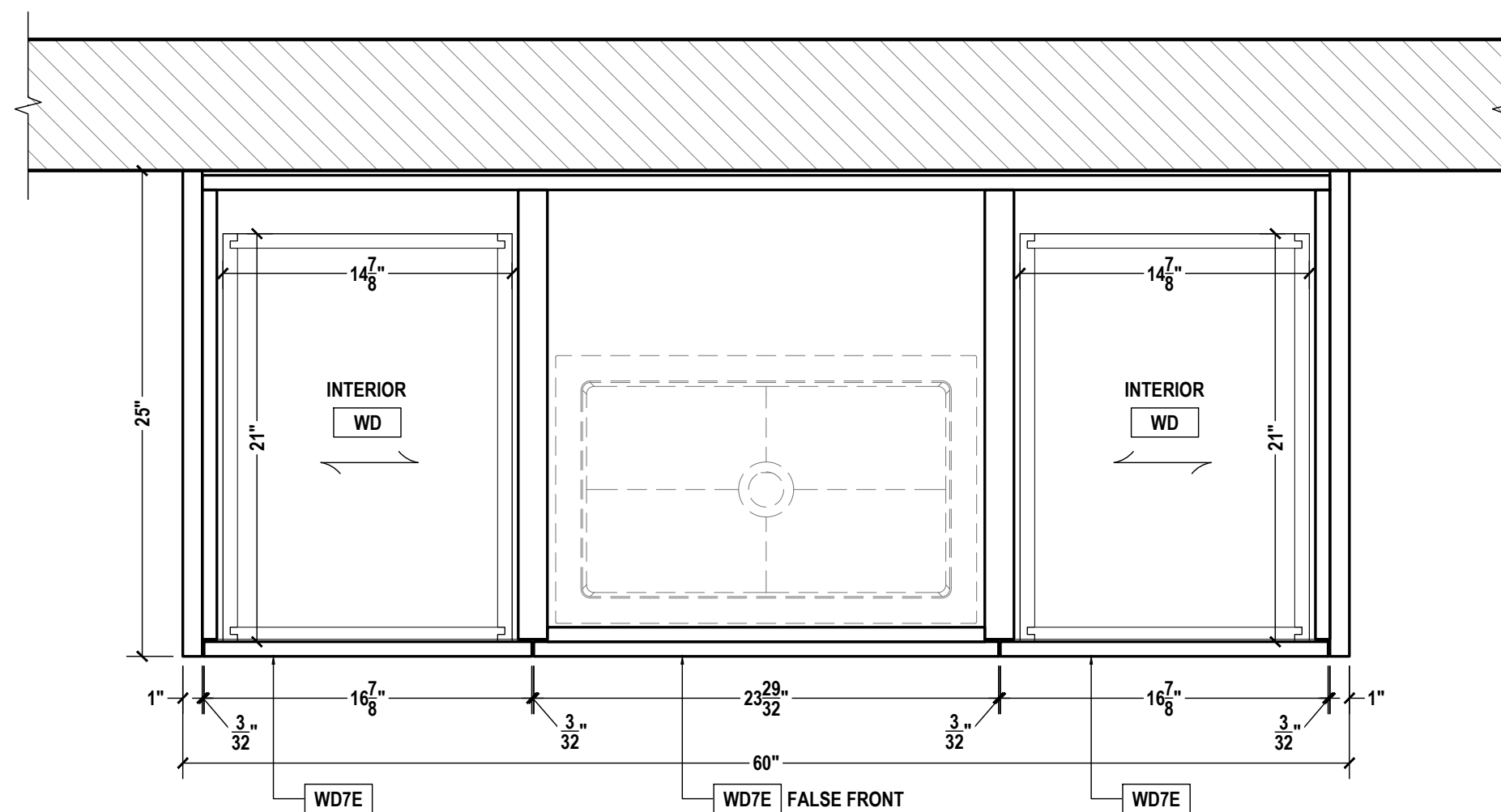
REVISIONS:

No.	DATE:	DESCRIPTIONS:	BY:
△	-	-	-
△	-	-	-
△	-	-	-
△	-	-	-
△	-	-	-
△	-	-	-
△	-	-	-
△	-	-	-

APPROVAL DATE	-
PLOT DATE	11/13/2024
PROJECT NUMBER	-----
ROOM NAME	106 - BATH 3
SHEET NUMBER	106.01



1 106 - BATH 3
PLAN SECTION
SCALE: 1-1/2"=1'-0" ARCH REF.: 1/A5.03



2 106 - BATH 3
PLAN SECTION
SCALE: 1-1/2"=1'-0" ARCH REF.: N/A

	QCP	YES <input type="checkbox"/>	NO <input checked="" type="checkbox"/>
	LEED	YES <input type="checkbox"/>	NO <input checked="" type="checkbox"/>
	FSC	YES <input type="checkbox"/>	NO <input checked="" type="checkbox"/>
	NAUF	YES <input type="checkbox"/>	NO <input checked="" type="checkbox"/>

FINISHES:

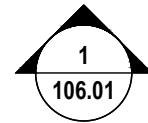
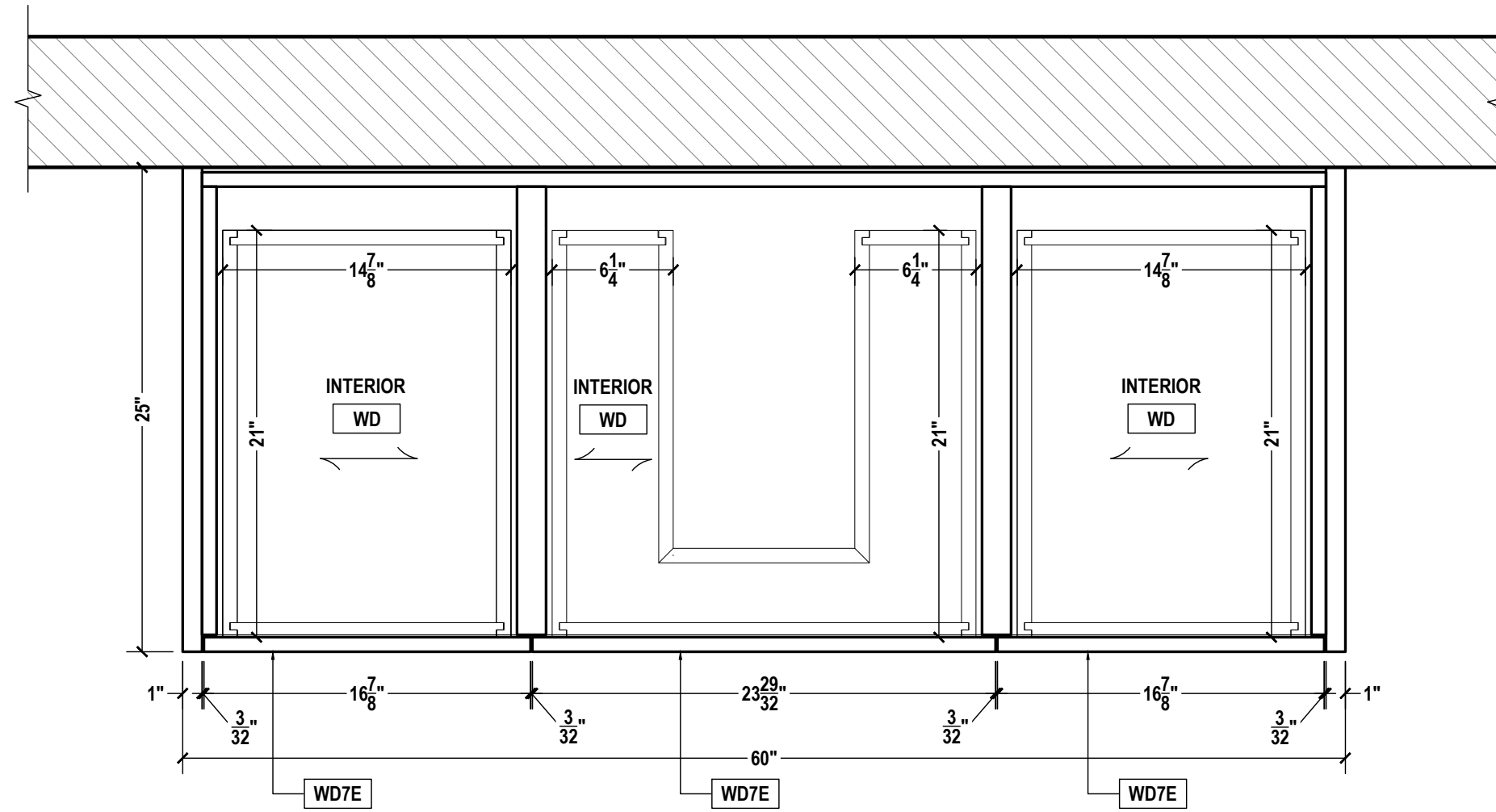
KEY	WOOD COLOR	GRAIN
WD7E	STAINED RIFT SAWN WHITE OAK	YES
KEY	INTERIOR FINISHES COLOR	GRAIN
WD	PREFINISHED MAPLE	YES
KEY	SPECIALS COLOR	GRAIN
MTL2A	METAL TO MATCH SVB RAW WHITE BRONZE	NO

PM:	-
DRAWN BY:	TMS
DATE DRAWN:	10/11/2024
REVIEWED BY:	-

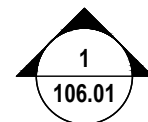
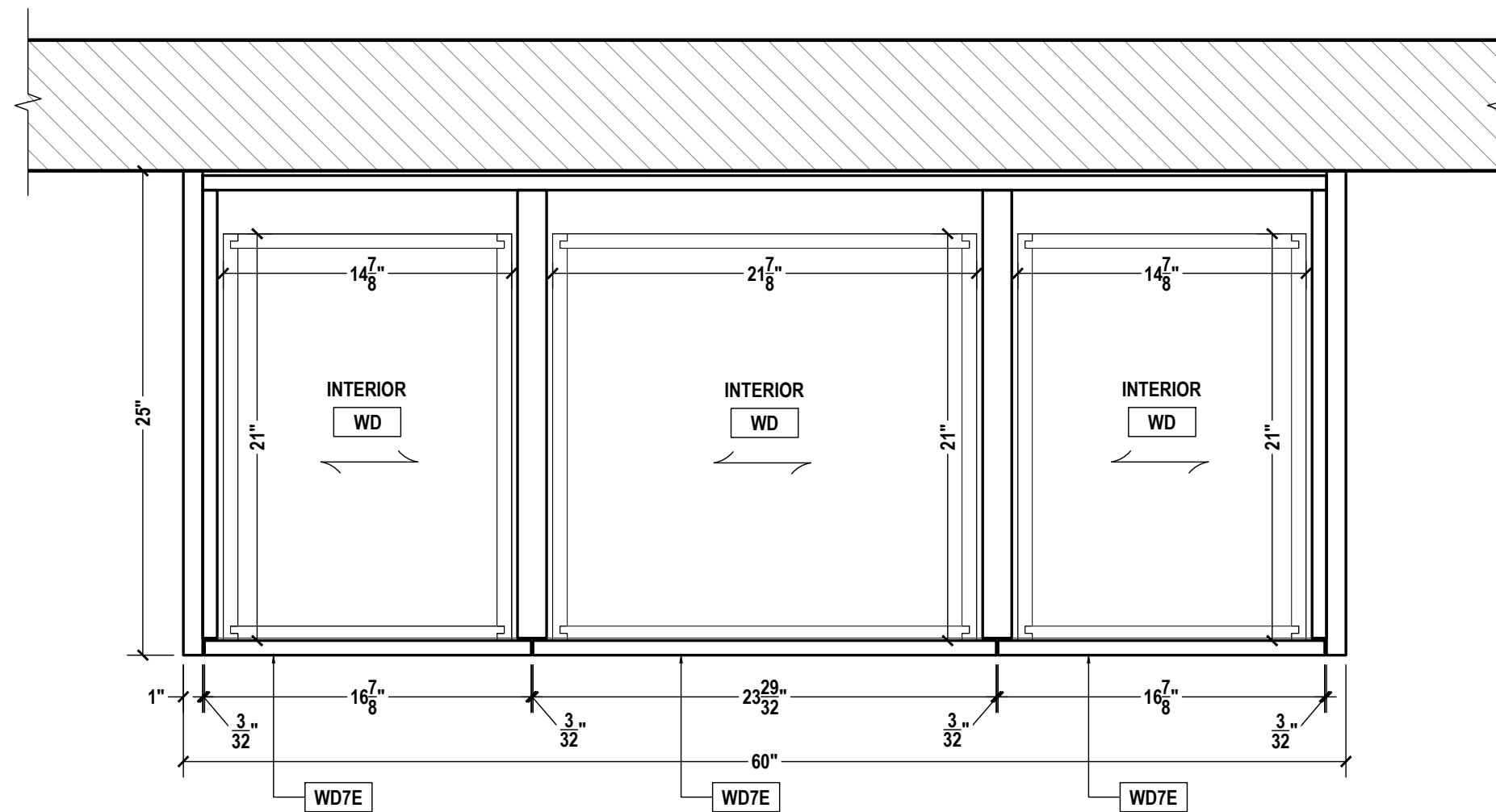
REVISIONS:

No.	DATE	DESCRIPTIONS	BY:
△	-	-	-
△	-	-	-
△	-	-	-
△	-	-	-
△	-	-	-
△	-	-	-
△	-	-	-
△	-	-	-

APPROVAL DATE	-
PLOT DATE	11/13/2024
PROJECT NUMBER	-----
ROOM NAME	106 - BATH 3
SHEET NUMBER	106.02



1 106 - BATH 3
 PLAN SECTION
 SCALE: 1-1/2"=1'-0" ARCH REF.: N/A



2 106 - BATH 3
 PLAN SECTION
 SCALE: 1-1/2"=1'-0" ARCH REF.: N/A



QCP	YES <input type="checkbox"/>	NO <input checked="" type="checkbox"/>
LEED	YES <input type="checkbox"/>	NO <input checked="" type="checkbox"/>
FSC	YES <input type="checkbox"/>	NO <input checked="" type="checkbox"/>
NAUF	YES <input type="checkbox"/>	NO <input checked="" type="checkbox"/>

FINISHES:

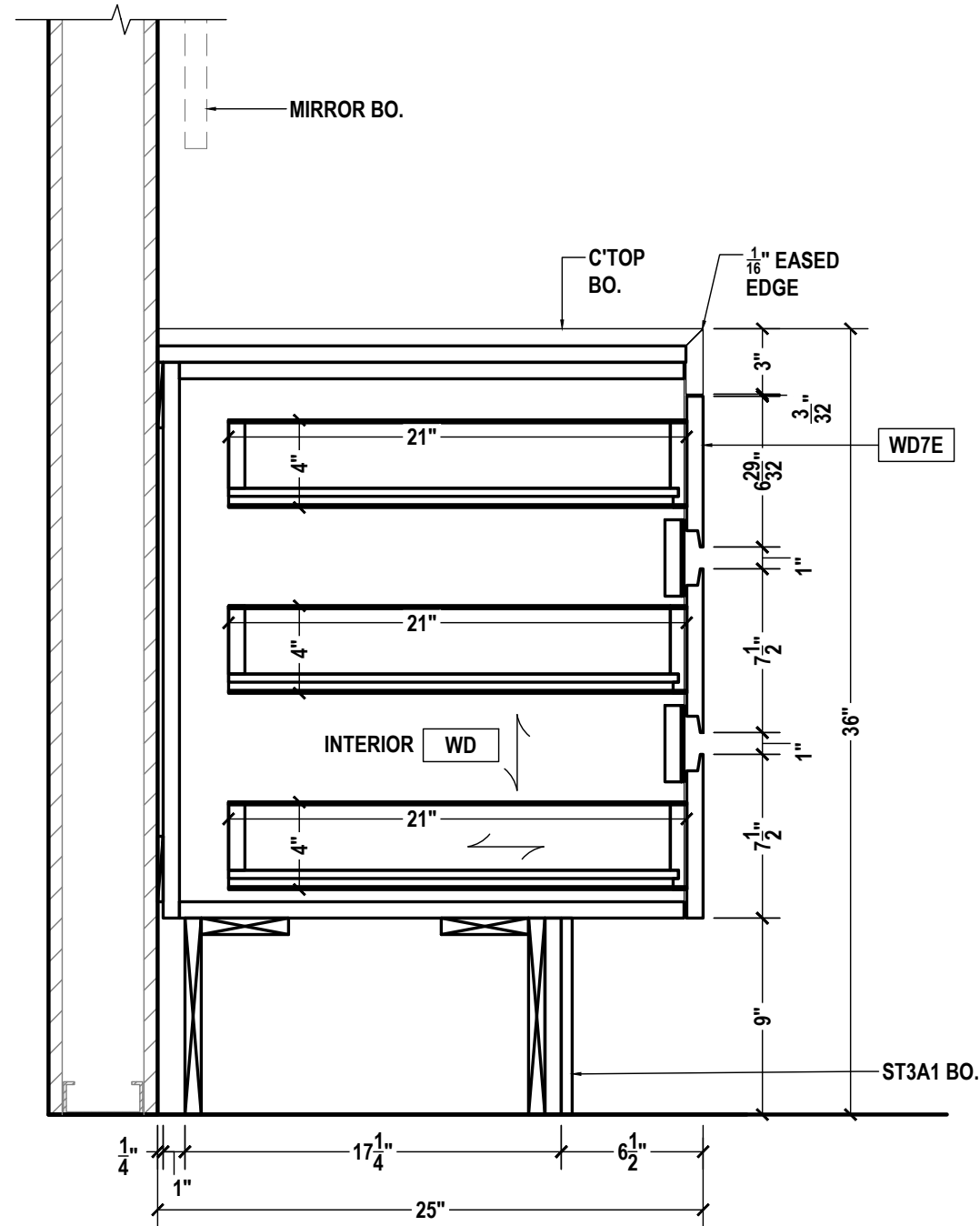
WOOD		GRAIN
KEY	COLOR	YES
WD7E	STAINED RIFT SAWN WHITE OAK	YES
INTERIOR FINISHES		GRAIN
KEY	COLOR	YES
WD	PREFINISHED MAPLE	YES
SPECIALS		GRAIN
KEY	COLOR	NO
MTL2A	METAL TO MATCH SVB RAW WHITE BRONZE	NO

PM:	-
DRAWN BY:	TMS
DATE DRAWN:	10/11/2024
REVIEWED BY:	-

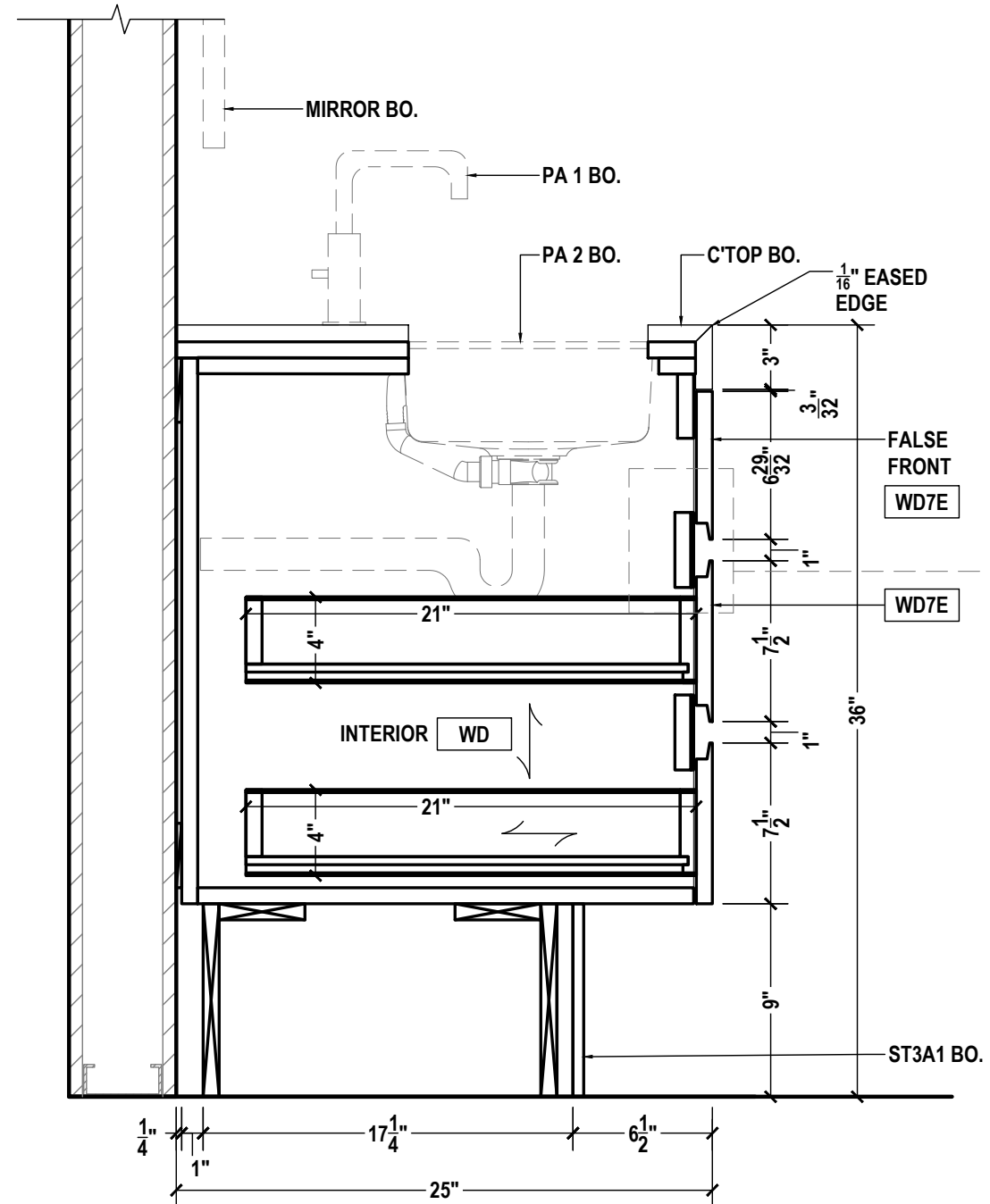
REVISIONS:

No.	DATE:	DESCRIPTIONS:	BY:
△	-	-	-
△	-	-	-
△	-	-	-
△	-	-	-
△	-	-	-
△	-	-	-
△	-	-	-
△	-	-	-

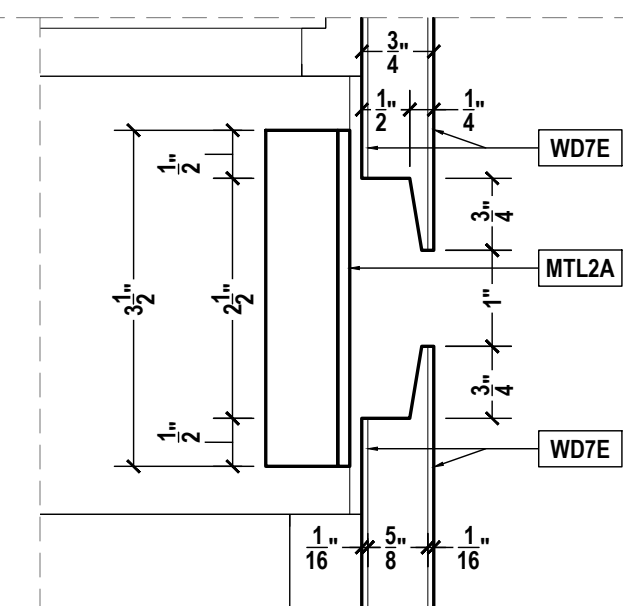
APPROVAL DATE	-
PLOT DATE	11/13/2024
PROJECT NUMBER	-----
ROOM NAME	106 - BATH 3
SHEET NUMBER	106.03



1 106 - BATH 3 SECTION
SCALE: 1-1/2"=1'-0" ARCH REF.: N/A



2 106 - BATH 3 SECTION
SCALE: 1-1/2"=1'-0" ARCH REF.: 4/A9.02



3 106 - BATH 3 DETAIL
SCALE: 6"=1'-0" ARCH REF.: 2/A9.20



QCP	YES <input type="checkbox"/>	NO <input checked="" type="checkbox"/>
LEED	YES <input type="checkbox"/>	NO <input checked="" type="checkbox"/>
FSC	YES <input type="checkbox"/>	NO <input checked="" type="checkbox"/>
NAUF	YES <input type="checkbox"/>	NO <input checked="" type="checkbox"/>

FINISHES:

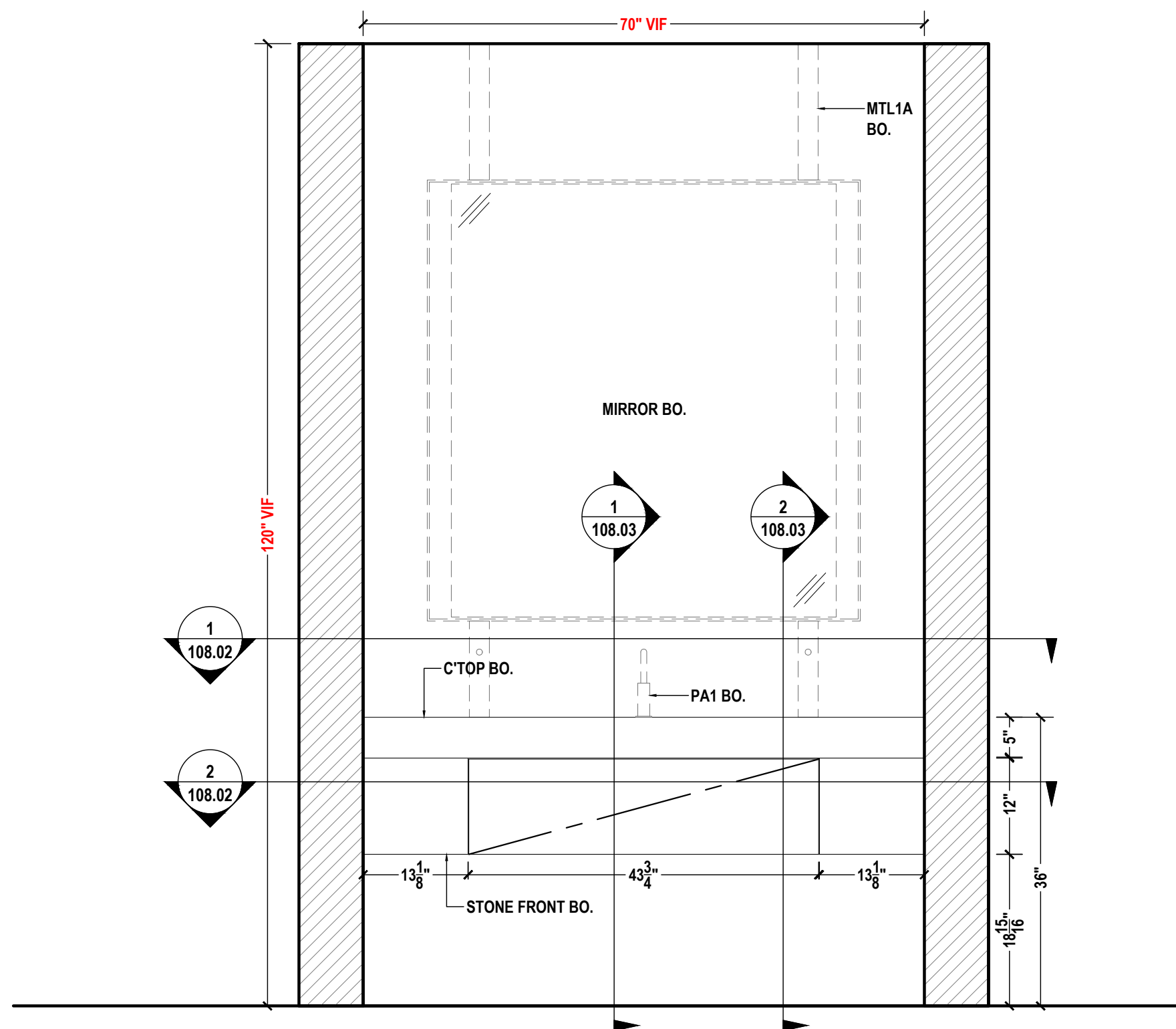
KEY	WOOD COLOR	GRAIN
WD7E	STAINED RIFT SAWN WHITE OAK	YES
INTERIOR FINISHES		
KEY	COLOR	GRAIN
WD	PREFINISHED MAPLE	YES
SPECIALS		
KEY	COLOR	GRAIN
MTL2A	METAL TO MATCH S/B RAW WHITE BRONZE	NO

PM:	-
DRAWN BY:	TMS
DATE DRAWN:	10/11/2024
REVIEWED BY:	-

REVISIONS:

No.	DATE	DESCRIPTIONS	BY:
△	-	-	-
△	-	-	-
△	-	-	-
△	-	-	-
△	-	-	-
△	-	-	-
△	-	-	-
△	-	-	-

APPROVAL DATE	-
PLOT DATE	11/13/2024
PROJECT NUMBER	-----
ROOM NAME	106 - BATH 3
SHEET NUMBER	106.04



1 108 - POWDER
ELEVATION
SCALE: 3/4"=1'-0" ARCH REF.: 8/A5.01

	QCP	YES <input type="checkbox"/>	NO <input checked="" type="checkbox"/>
	LEED	YES <input type="checkbox"/>	NO <input checked="" type="checkbox"/>
	FSC	YES <input type="checkbox"/>	NO <input checked="" type="checkbox"/>
	NAUF	YES <input type="checkbox"/>	NO <input checked="" type="checkbox"/>

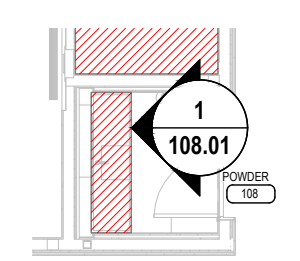
FINISHES:

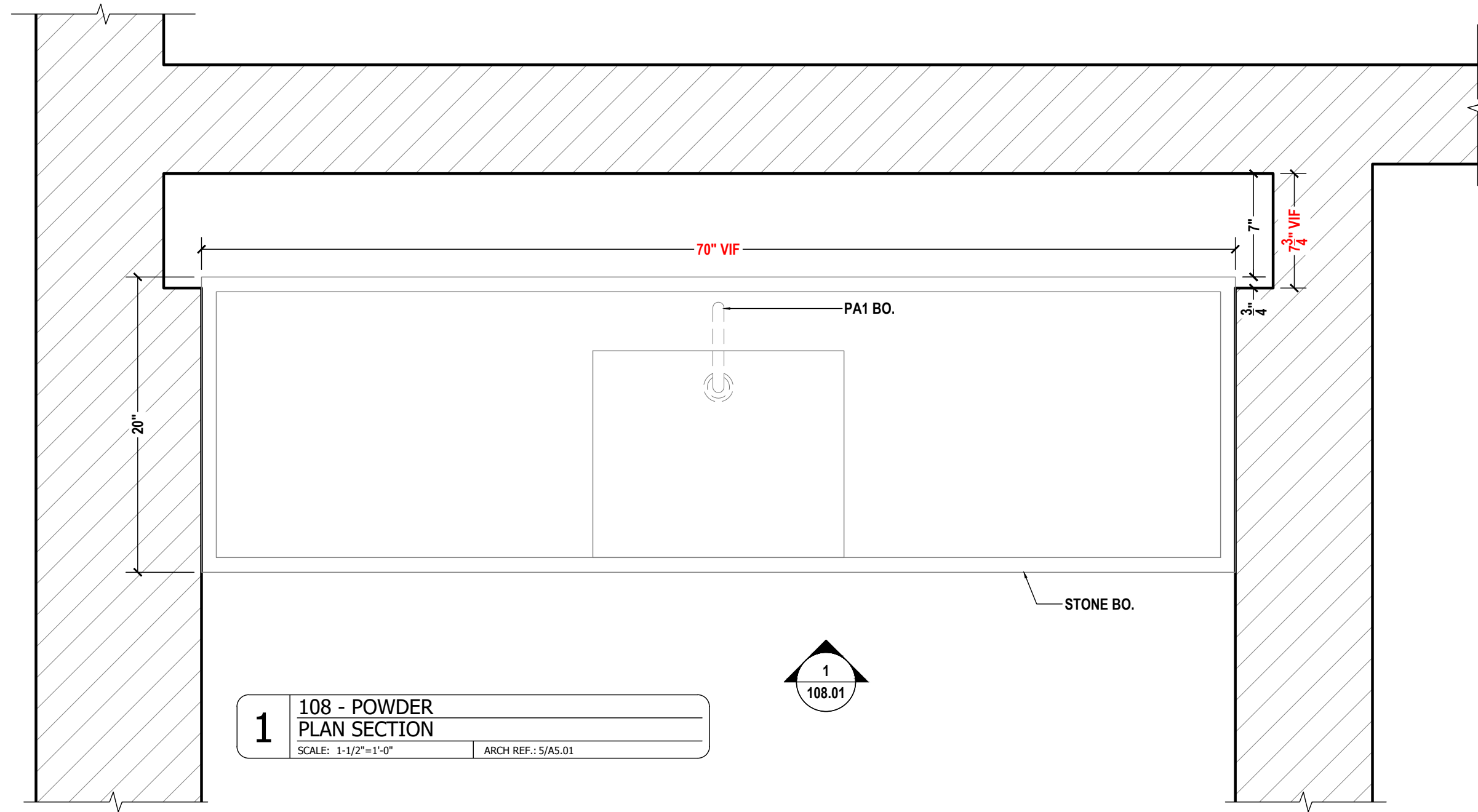
INTERIOR FINISHES		
KEY	COLOR	GRAIN
WD	PREFINISHED MAPLE	YES

PM:	-
DRAWN BY:	TMS
DATE DRAWN:	10/11/2024
REVIEWED BY:	-

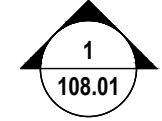
REVISIONS:			
No.	DATE:	DESCRIPTIONS:	BY:
△	-	-	-
△	-	-	-
△	-	-	-
△	-	-	-
△	-	-	-
△	-	-	-
△	-	-	-
△	-	-	-

APPROVAL DATE	-
PLOT DATE	11/13/2024
PROJECT NUMBER	-----
ROOM NAME	108 - POWDER
SHEET NUMBER	108.01

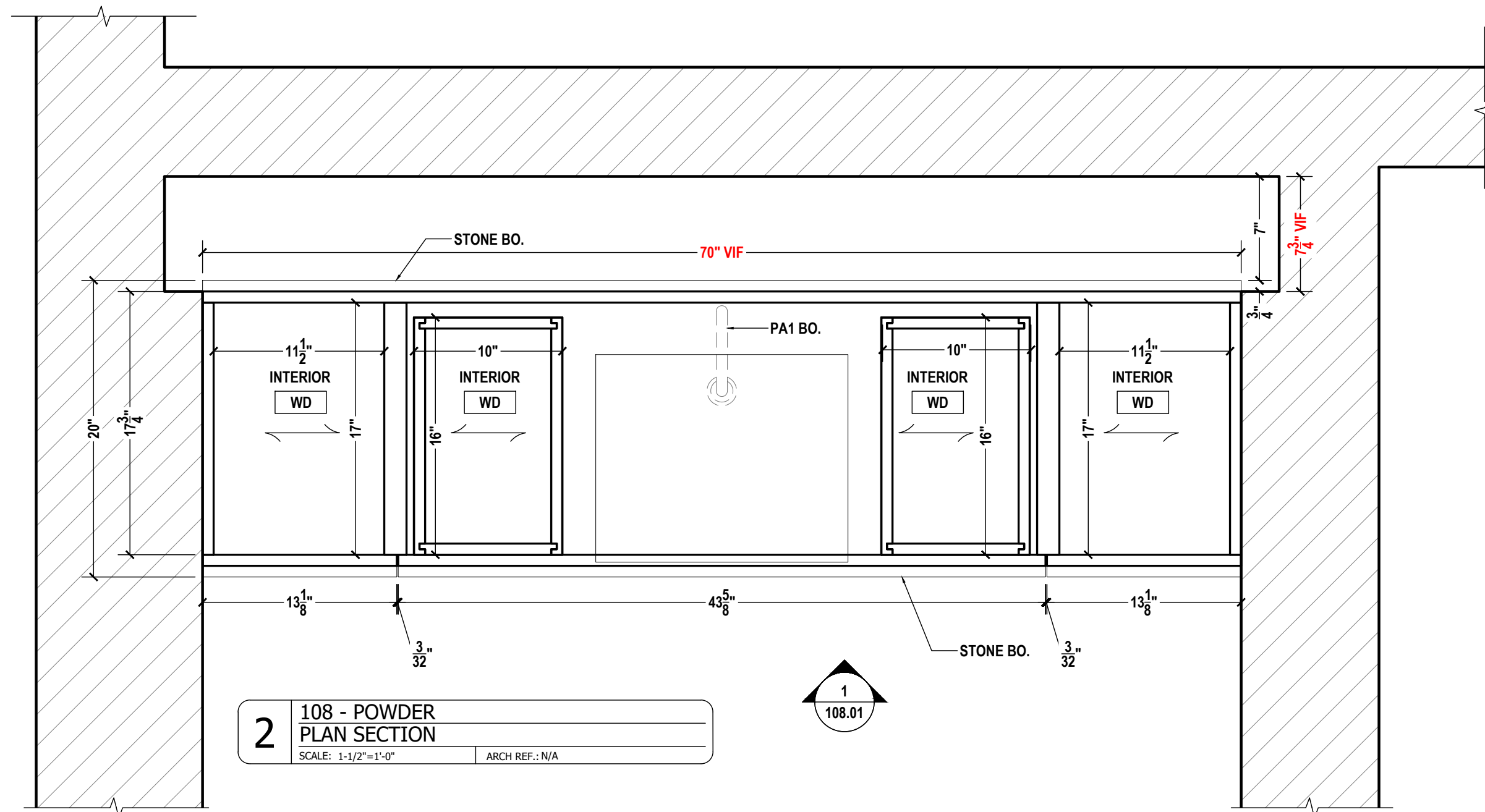




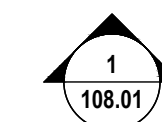
1 108 - POWDER
PLAN SECTION
SCALE: 1-1/2"=1'-0" ARCH REF.: 5/AS.01



**** NOTE TO ARCH AND G.C. ****
REFERENCE RFI LIST ON SHEET 1CS.02
PLEASE VERIFY THE ATTACHMENT OF THE
CABINETS.



2 108 - POWDER
PLAN SECTION
SCALE: 1-1/2"=1'-0" ARCH REF.: N/A



QCP	YES <input type="checkbox"/>	NO <input checked="" type="checkbox"/>
LEED	YES <input type="checkbox"/>	NO <input checked="" type="checkbox"/>
FSC	YES <input type="checkbox"/>	NO <input checked="" type="checkbox"/>
NAUF	YES <input type="checkbox"/>	NO <input checked="" type="checkbox"/>

FINISHES:

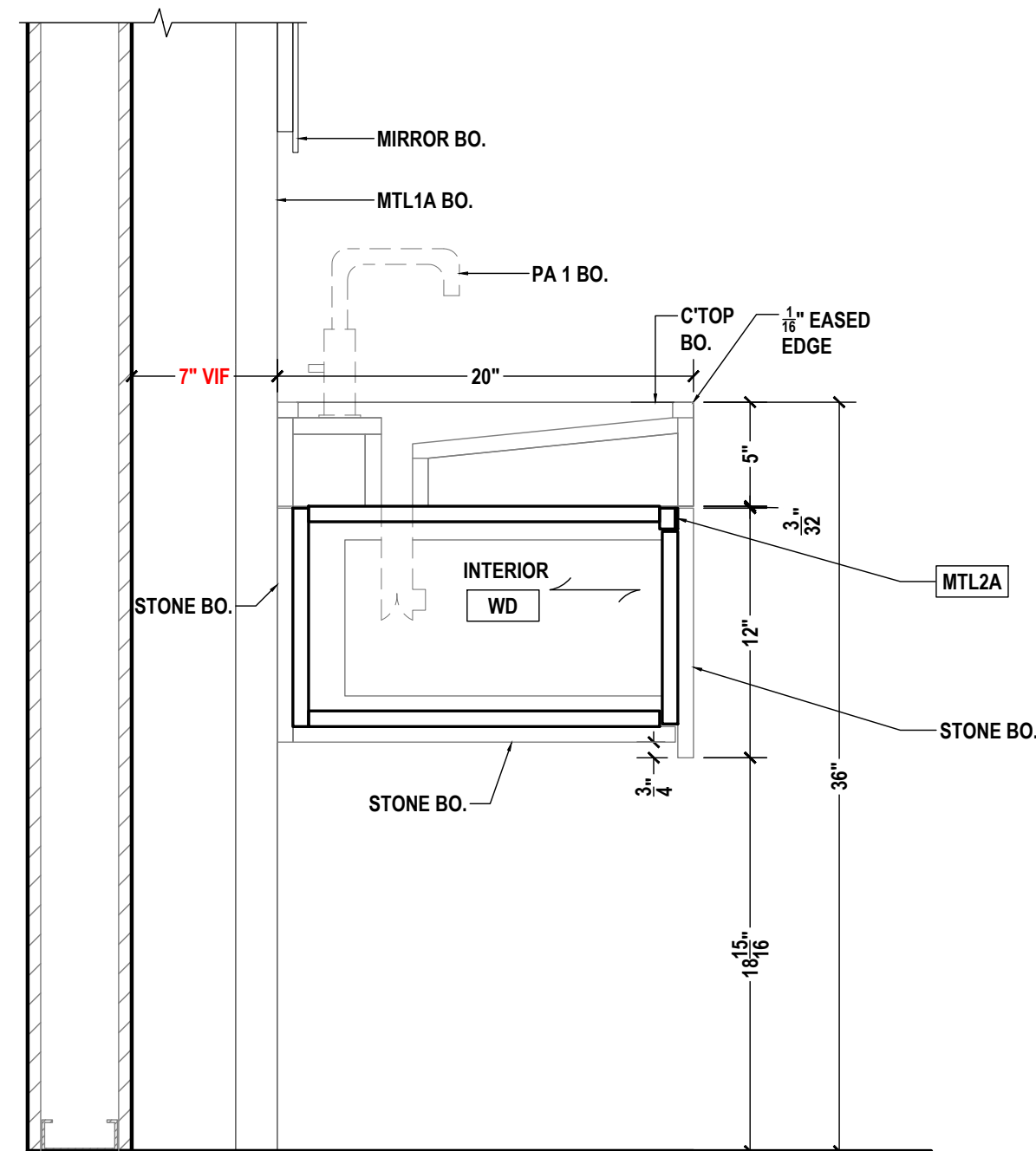
INTERIOR FINISHES		
KEY	COLOR	GRAIN
WD	PREFINISHED MAPLE	YES

PM:	-
DRAWN BY:	TMS
DATE DRAWN:	10/11/2024
REVIEWED BY:	-

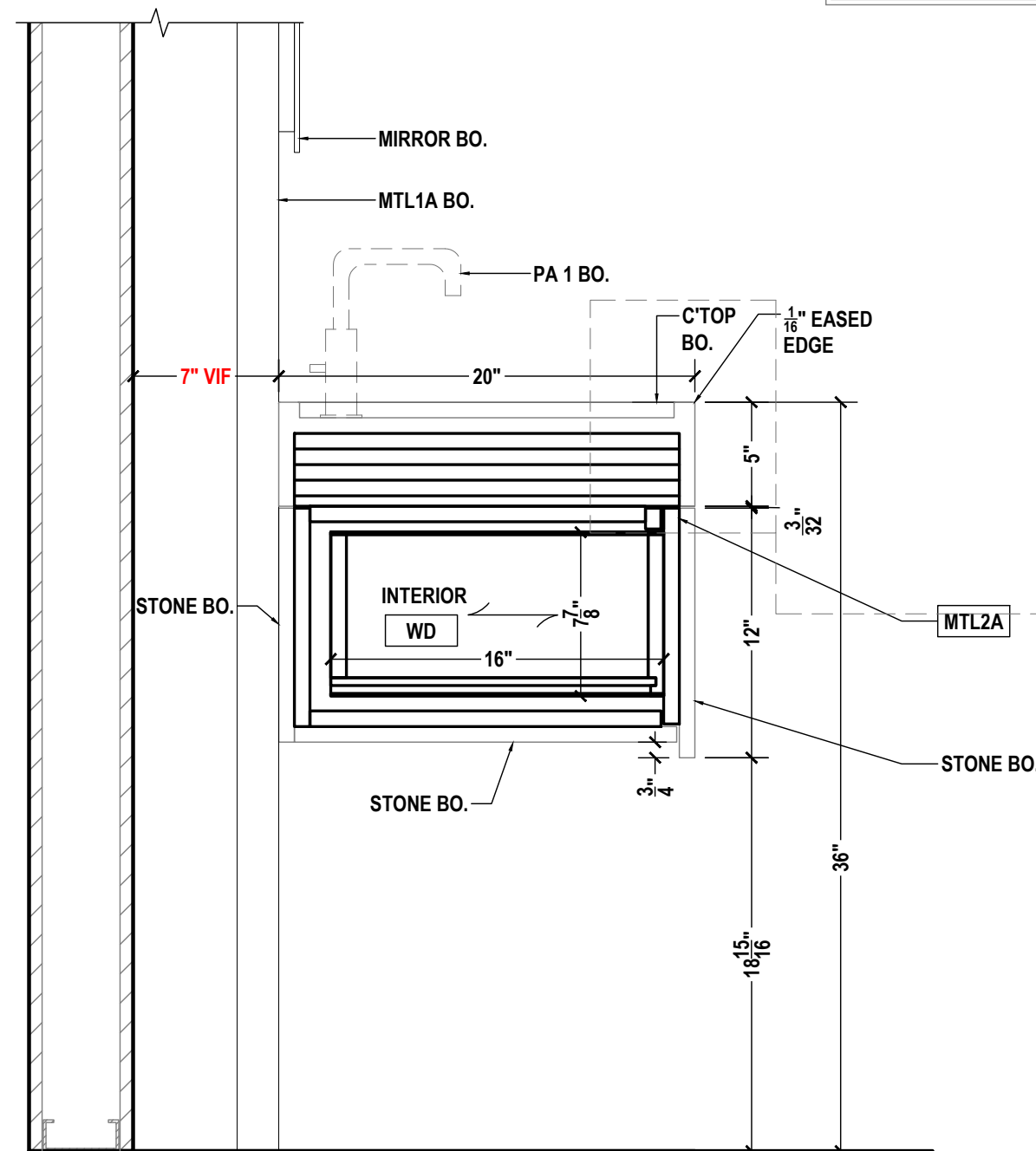
REVISIONS:

No.	DATE:	DESCRIPTIONS:	BY:
△	-	-	-
△	-	-	-
△	-	-	-
△	-	-	-
△	-	-	-
△	-	-	-
△	-	-	-
△	-	-	-

APPROVAL DATE	-
PLOT DATE	11/13/2024
PROJECT NUMBER	-----
ROOM NAME	108 - POWDER
SHEET NUMBER	108.02

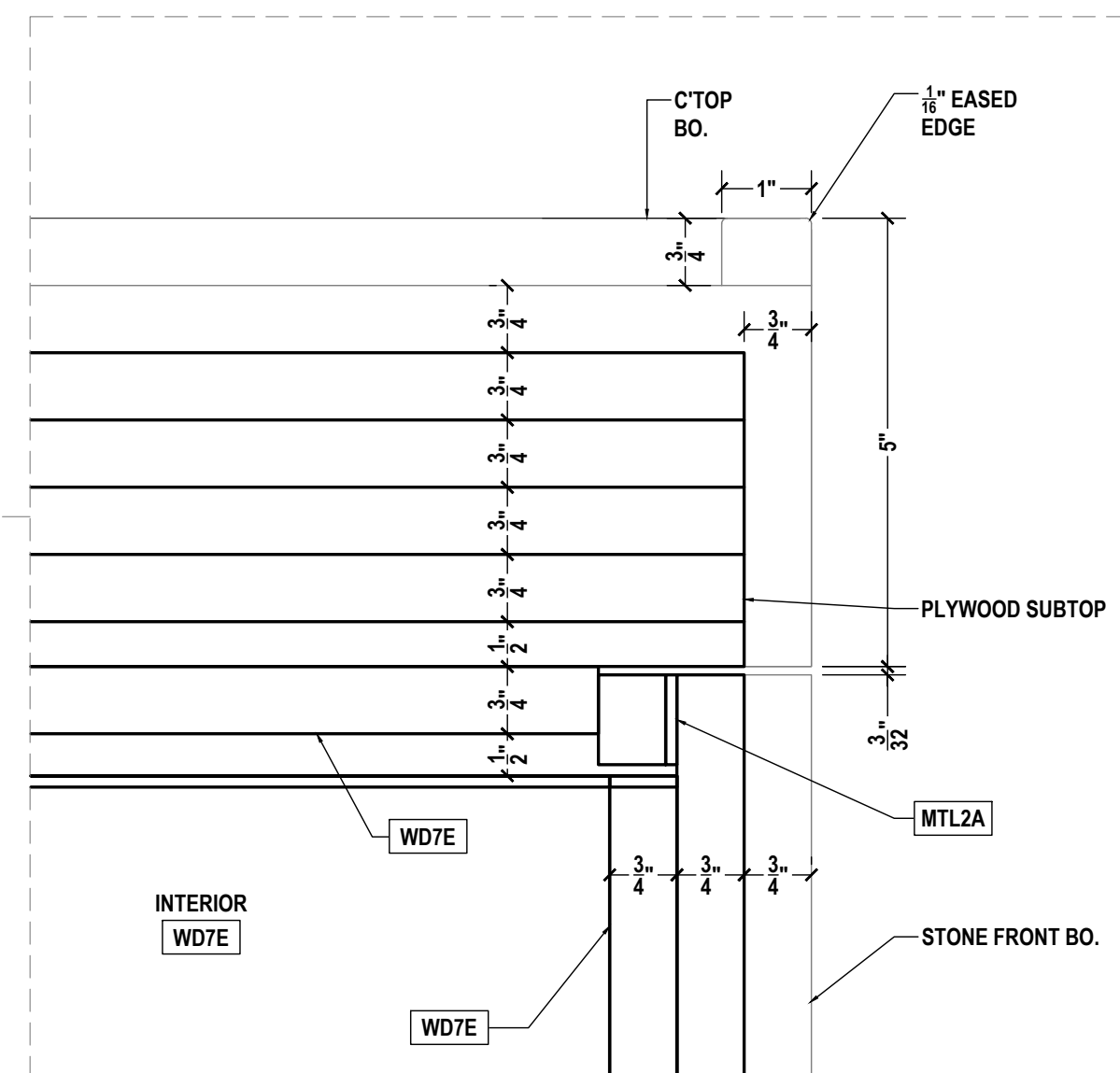


1 108 - POWDER SECTION
SCALE: 1-1/2"=1'-0" ARCH REF.: 3/A9.03



2 108 - POWDER SECTION
SCALE: 1-1/2"=1'-0" ARCH REF.: 3/A9.03

**** NOTE TO ARCH AND G.C. ****
REFERENCE RFI LIST ON SHEET 1CS.02
PLEASE VERIFY THE ATTACHMENT OF THE CABINETS.



3 108 - POWDER DETAIL
SCALE: 6"=1'-0" ARCH REF.: N/A



QCP	YES <input type="checkbox"/>	NO <input checked="" type="checkbox"/>
LEED	YES <input type="checkbox"/>	NO <input checked="" type="checkbox"/>
FSC	YES <input type="checkbox"/>	NO <input checked="" type="checkbox"/>
NAUF	YES <input type="checkbox"/>	NO <input checked="" type="checkbox"/>

FINISHES:

INTERIOR FINISHES		
KEY	COLOR	GRAIN
WD	PREFINISHED MAPLE	YES

PM:	-
DRAWN BY:	TMS
DATE DRAWN:	10/11/2024
REVIEWED BY:	-

REVISIONS:

No.	DATE	DESCRIPTIONS	BY:
△	-	-	-
△	-	-	-
△	-	-	-
△	-	-	-
△	-	-	-
△	-	-	-
△	-	-	-
△	-	-	-
△	-	-	-
△	-	-	-

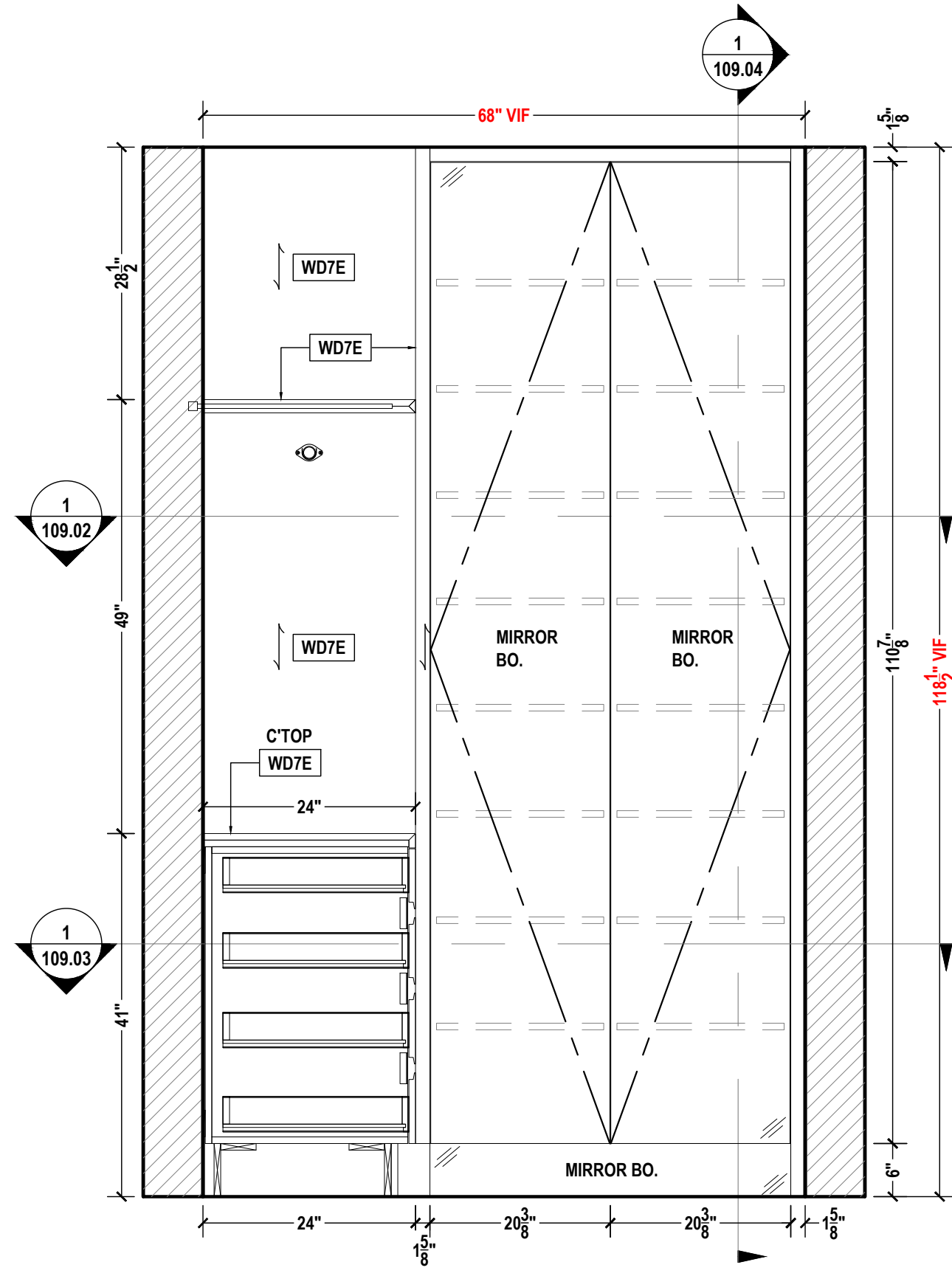
APPROVAL DATE	-
PLOT DATE	11/13/2024
PROJECT NUMBER	-----
ROOM NAME	108 - POWDER
SHEET NUMBER	108.03

**** NOTE TO ARCH AND G.C. ****
REFERENCE RFI LIST ON SHEET 1CS.02

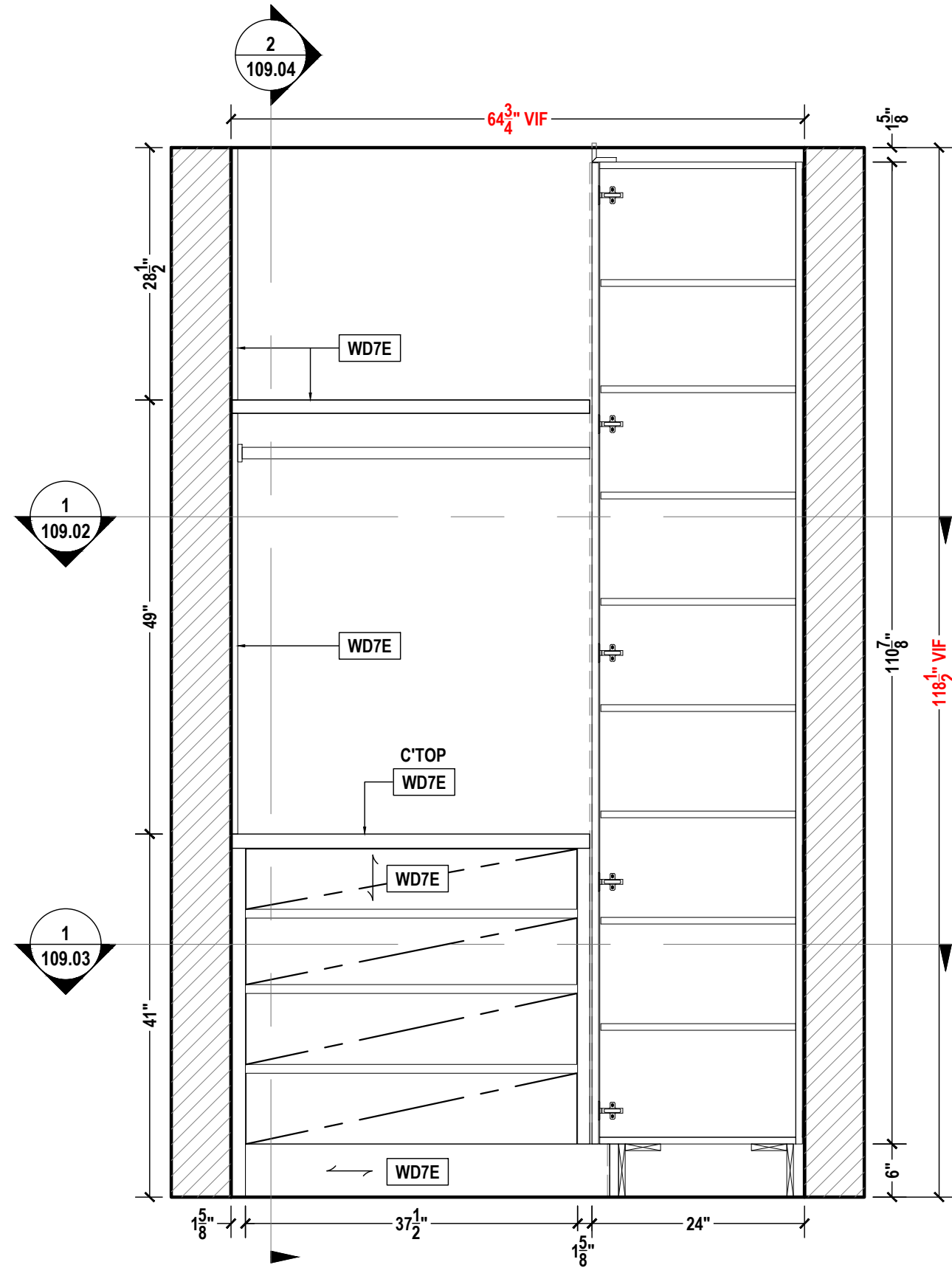
PLEASE CONFIRM HOW WARDROBE
CABINET WILL OPEN

**** NOTE TO ARCH AND G.C. ****
REFERENCE RFI LIST ON SHEET 1CS.02

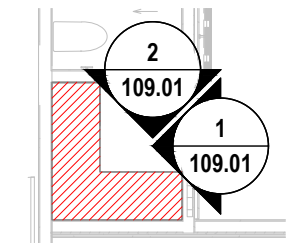
PLEASE SPECIFY MIRROR THICKNESS
FOR WARDROBES



1 109 - CLOSET 3
ELEVATION
SCALE: 3/4"=1'-0" ARCH REF.: 10/A5.03



2 109 - CLOSET 3
ELEVATION
SCALE: 3/4"=1'-0" ARCH REF.: 9/A5.03



	QCP	YES <input type="checkbox"/>	NO <input checked="" type="checkbox"/>
	LEED	YES <input type="checkbox"/>	NO <input checked="" type="checkbox"/>
	FSC	YES <input type="checkbox"/>	NO <input checked="" type="checkbox"/>
	NAUF	YES <input type="checkbox"/>	NO <input checked="" type="checkbox"/>

FINISHES:

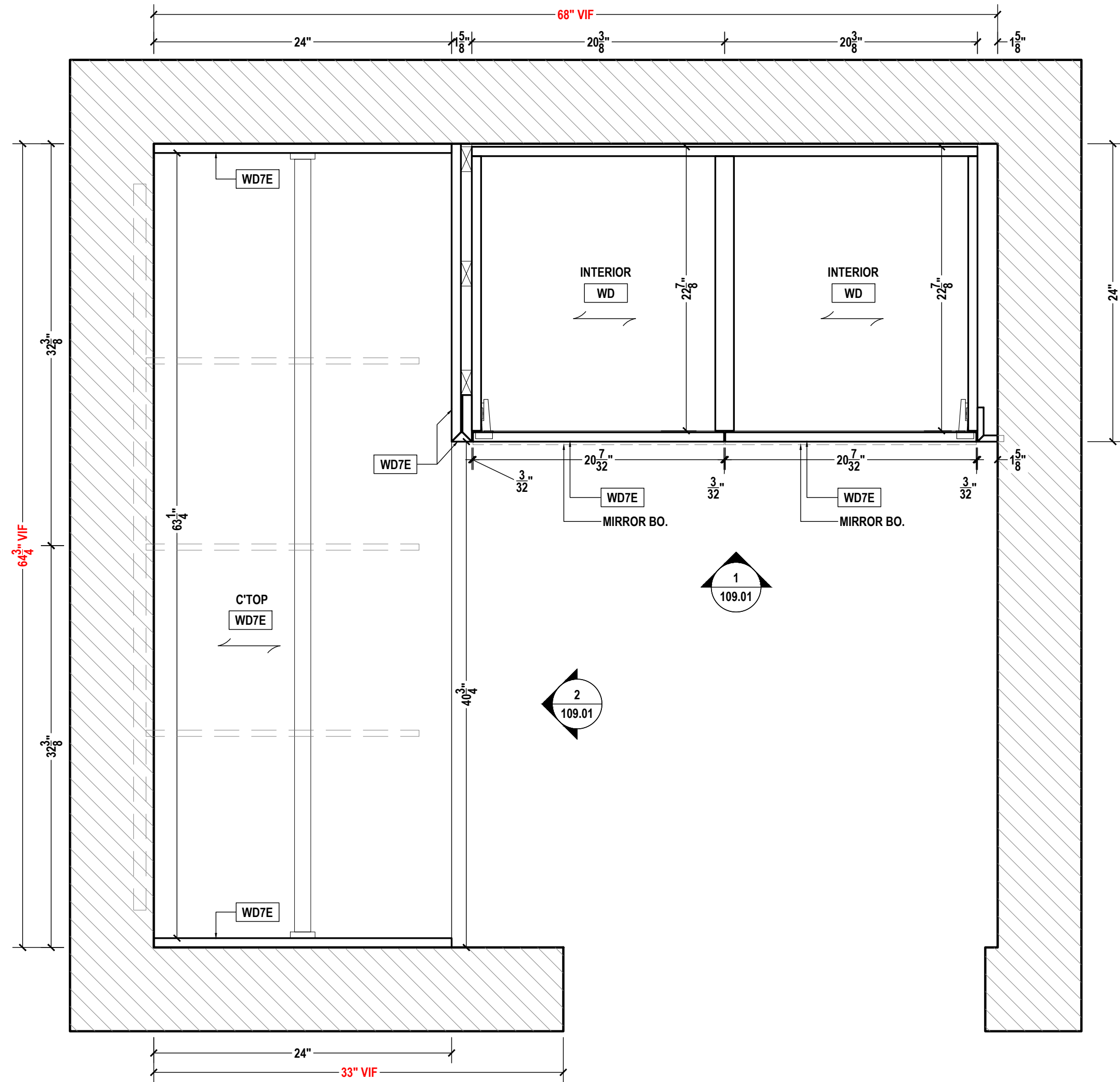
WOOD		GRAIN
KEY	COLOR	
WD7E	STAINED RIFT SAWN WHITE OAK	YES
INTERIOR FINISHES		GRAIN
KEY	COLOR	
WD	PREFINISHED MAPLE	YES
SPECIALS		GRAIN
KEY	COLOR	
MTL2A	METAL TO MATCH SVB RAW WHITE BRONZE	NO

PM:	-
DRAWN BY:	TMS
DATE DRAWN:	10/11/2024
REVIEWED BY:	-

REVISIONS:

No.	DATE	DESCRIPTIONS	BY:
△	-	-	-
△	-	-	-
△	-	-	-
△	-	-	-
△	-	-	-
△	-	-	-
△	-	-	-

APPROVAL DATE	-
PLOT DATE	11/13/2024
PROJECT NUMBER	-----
ROOM NAME	109 - CLOSET 3
SHEET NUMBER	109.01



1 109 - CLOSET 3
 PLAN SECTION
 SCALE: 1-1/2"=1'-0" ARCH REF.: 1/A2.12



QCP	YES <input type="checkbox"/>	NO <input checked="" type="checkbox"/>
LEED	YES <input type="checkbox"/>	NO <input checked="" type="checkbox"/>
FSC	YES <input type="checkbox"/>	NO <input checked="" type="checkbox"/>
NAUF	YES <input type="checkbox"/>	NO <input checked="" type="checkbox"/>

FINISHES:

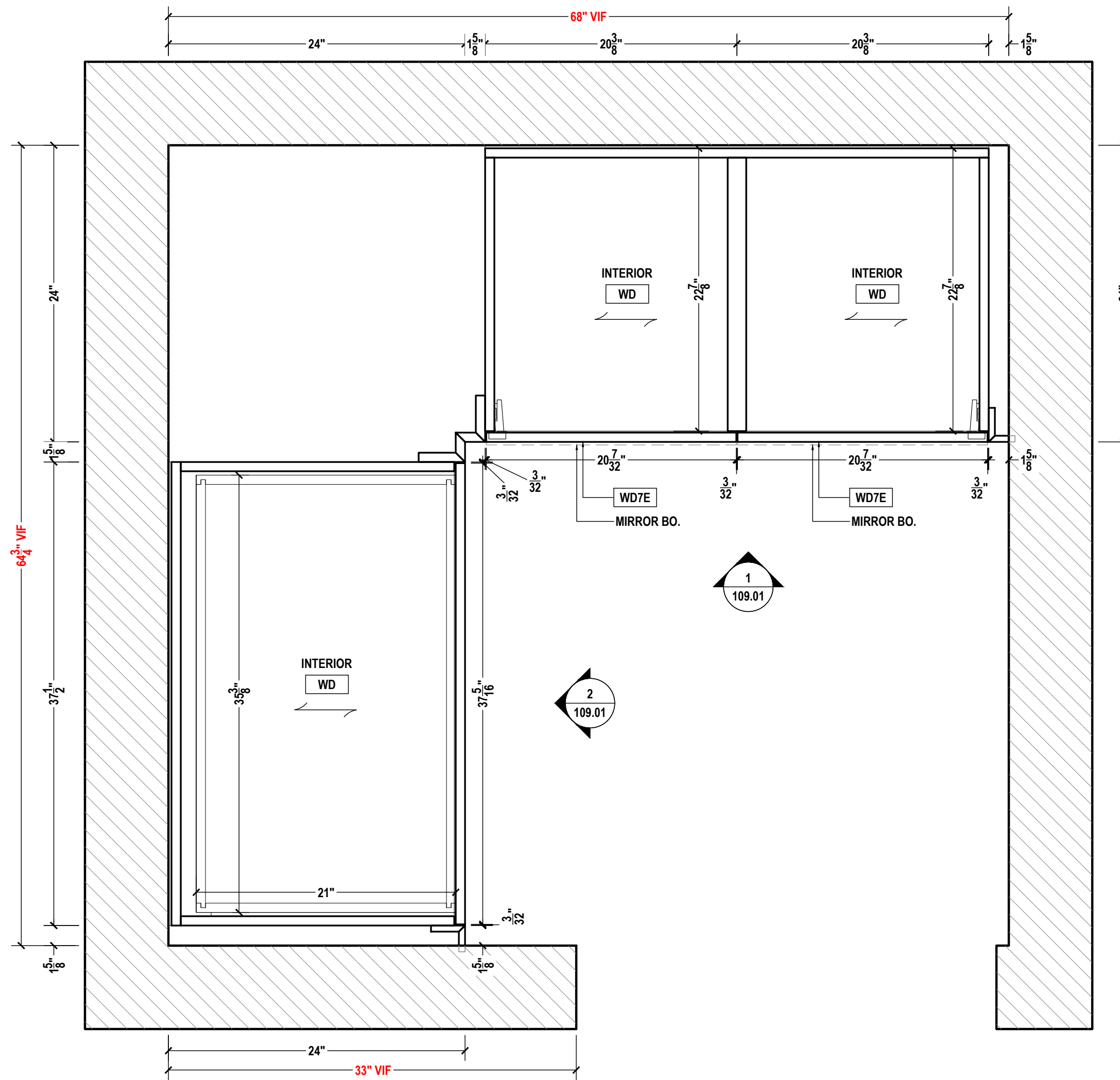
WOOD		
KEY	COLOR	GRAIN
WD7E	STAINED RIFT SAWN WHITE OAK	YES
INTERIOR FINISHES		
KEY	COLOR	GRAIN
WD	PREFINISHED MAPLE	YES
SPECIALS		
KEY	COLOR	GRAIN
MTL2A	METAL TO MATCH SVB RAW WHITE BRONZE	NO

PM:	-
DRAWN BY:	TMS
DATE DRAWN:	10/11/2024
REVIEWED BY:	-

REVISIONS:

No.	DATE	DESCRIPTIONS	BY:
△	-	-	-
△	-	-	-
△	-	-	-
△	-	-	-
△	-	-	-
△	-	-	-
△	-	-	-
△	-	-	-

APPROVAL DATE	-
PLOT DATE	11/13/2024
PROJECT NUMBER	-----
ROOM NAME	109 - CLOSET 3
SHEET NUMBER	109.02



1 109 - CLOSET 3
 PLAN SECTION
 SCALE: 1-1/2"=1'-0" ARCH REF.: 1/A2.12



QCP	YES <input type="checkbox"/>	NO <input checked="" type="checkbox"/>
LEED	YES <input type="checkbox"/>	NO <input checked="" type="checkbox"/>
FSC	YES <input type="checkbox"/>	NO <input checked="" type="checkbox"/>
NAUF	YES <input type="checkbox"/>	NO <input checked="" type="checkbox"/>

FINISHES:

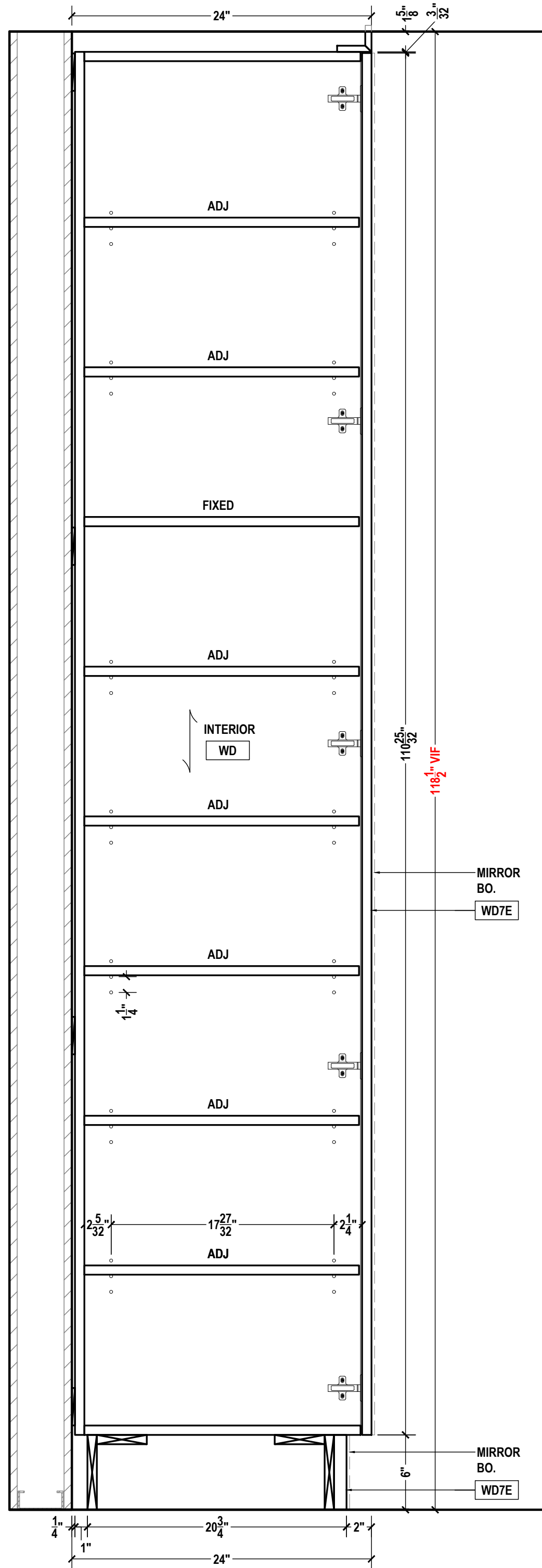
WOOD		GRAIN
KEY	COLOR	GRAIN
WD7E	STAINED RIFT SAWN WHITE OAK	YES
INTERIOR FINISHES		GRAIN
KEY	COLOR	GRAIN
WD	PREFINISHED MAPLE	YES
SPECIALS		GRAIN
KEY	COLOR	GRAIN
MTL2A	METAL TO MATCH SVB RAW WHITE BRONZE	NO

PM:	-
DRAWN BY:	TMS
DATE DRAWN:	10/11/2024
REVIEWED BY:	-

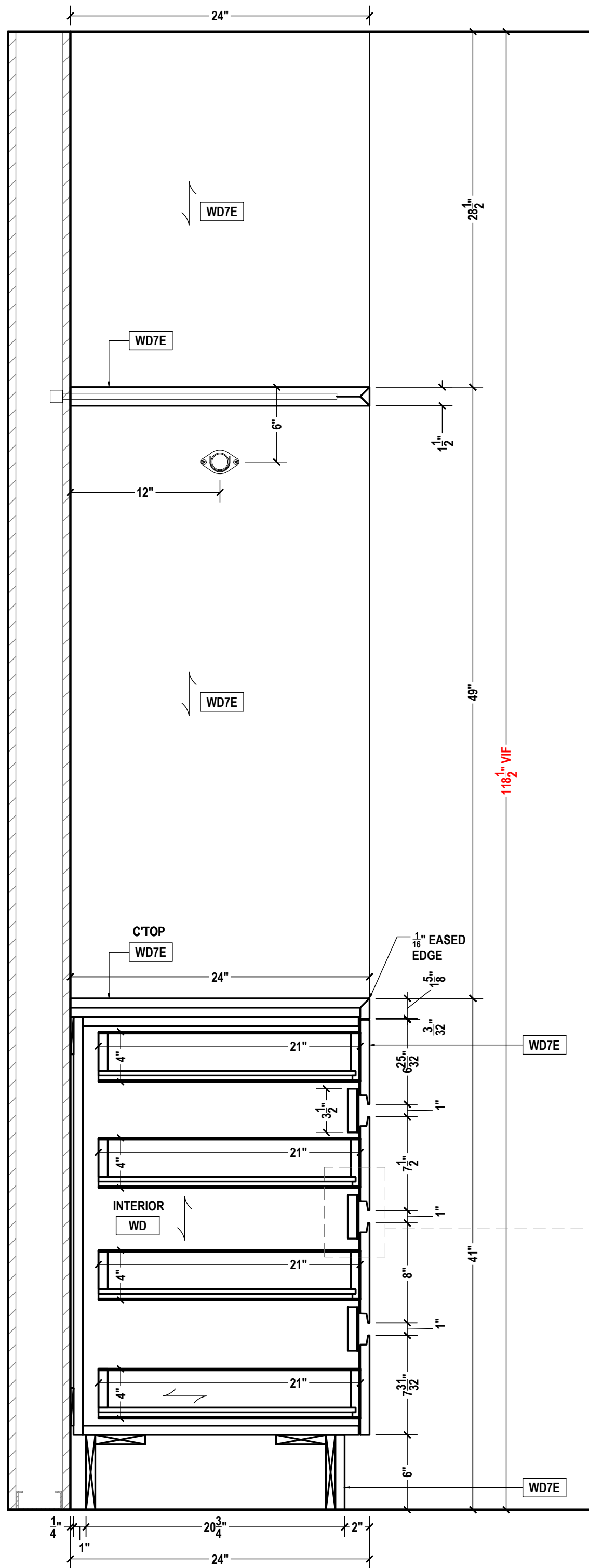
REVISIONS:

No.	DATE	DESCRIPTIONS	BY:
△	-	-	-
△	-	-	-
△	-	-	-
△	-	-	-
△	-	-	-
△	-	-	-
△	-	-	-
△	-	-	-

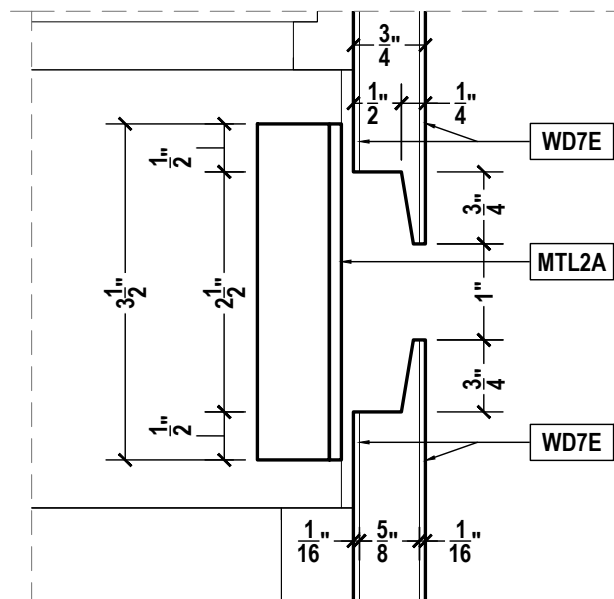
APPROVAL DATE	-
PLOT DATE	11/13/2024
PROJECT NUMBER	-----
ROOM NAME	109 - CLOSET 3
SHEET NUMBER	109.03



1 109 - CLOSET 3
SECTION
SCALE: 1-1/2"=1'-0" ARCH REF.: N/A



2 109 - CLOSET 3
SECTION
SCALE: 1-1/2"=1'-0" ARCH REF.: N/A



3 109 - CLOSET 3
DETAIL
SCALE: 6"=1'-0" ARCH REF.: 2/A9.20



QCP	YES <input type="checkbox"/>	NO <input checked="" type="checkbox"/>
LEED	YES <input type="checkbox"/>	NO <input checked="" type="checkbox"/>
FSC	YES <input type="checkbox"/>	NO <input checked="" type="checkbox"/>
NAUF	YES <input type="checkbox"/>	NO <input checked="" type="checkbox"/>

FINISHES:

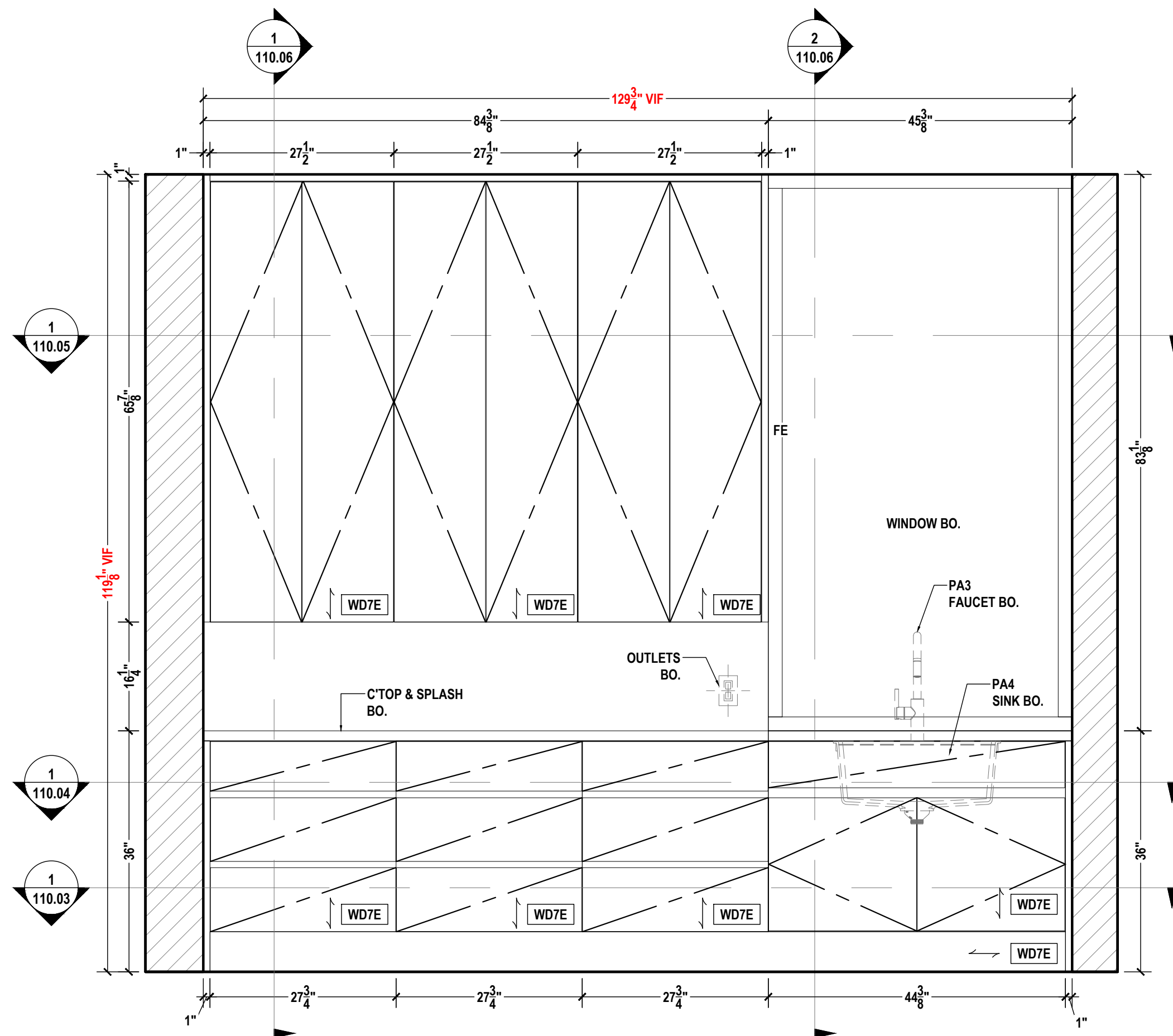
WOOD		
KEY	COLOR	GRAIN
WD7E	STAINED RIPT SAWN WHITE OAK	YES
INTERIOR FINISHES		
KEY	COLOR	GRAIN
WD	PREFINISHED MAPLE	YES
SPECIALS		
KEY	COLOR	GRAIN
MTL2A	METAL TO MATCH SVB RAW WHITE BRONZE	NO

PM:	-
DRAWN BY:	TMS
DATE DRAWN:	10/11/2024
REVIEWED BY:	-

REVISIONS:

No.	DATE	DESCRIPTIONS	BY:
△	-	-	-
△	-	-	-
△	-	-	-
△	-	-	-
△	-	-	-
△	-	-	-
△	-	-	-
△	-	-	-

APPROVAL DATE	-
PLOT DATE	11/13/2024
PROJECT NUMBER	-----
ROOM NAME	109 - CLOSET 3
SHEET NUMBER	109.04



1 110 - LAUNDRY
ELEVATION
SCALE: 3/4"=1'-0" ARCH REF.: 9/A5.04



QCP	YES <input type="checkbox"/>	NO <input checked="" type="checkbox"/>
LEED	YES <input type="checkbox"/>	NO <input checked="" type="checkbox"/>
FSC	YES <input type="checkbox"/>	NO <input checked="" type="checkbox"/>
NAUF	YES <input type="checkbox"/>	NO <input checked="" type="checkbox"/>

FINISHES:

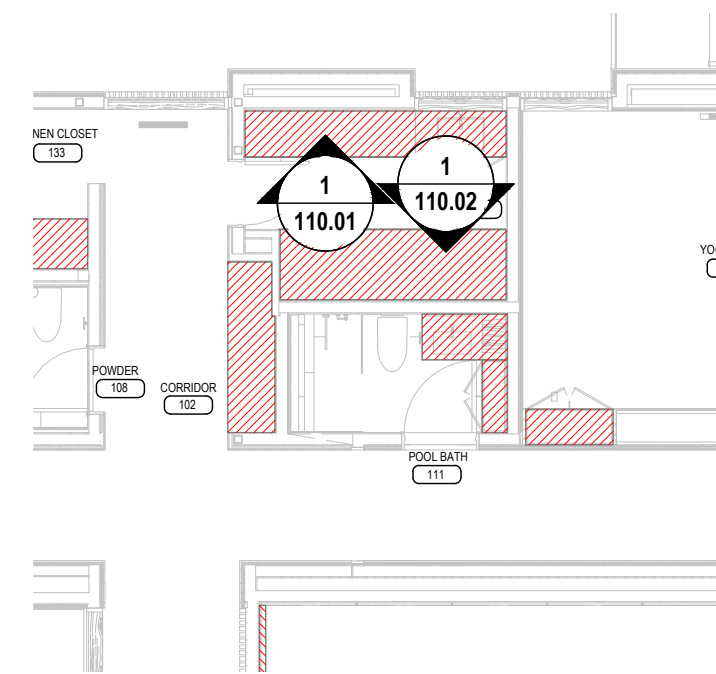
WOOD		GRAIN
KEY	COLOR	
WD7E	STAINED RIFT SAWN WHITE OAK	YES
INTERIOR FINISHES		GRAIN
KEY	COLOR	
WD	PREFINISHED MAPLE	YES
SPECIALS		GRAIN
KEY	COLOR	
MTL2A	METAL TO MATCH SVB RAW WHITE BRONZE	NO

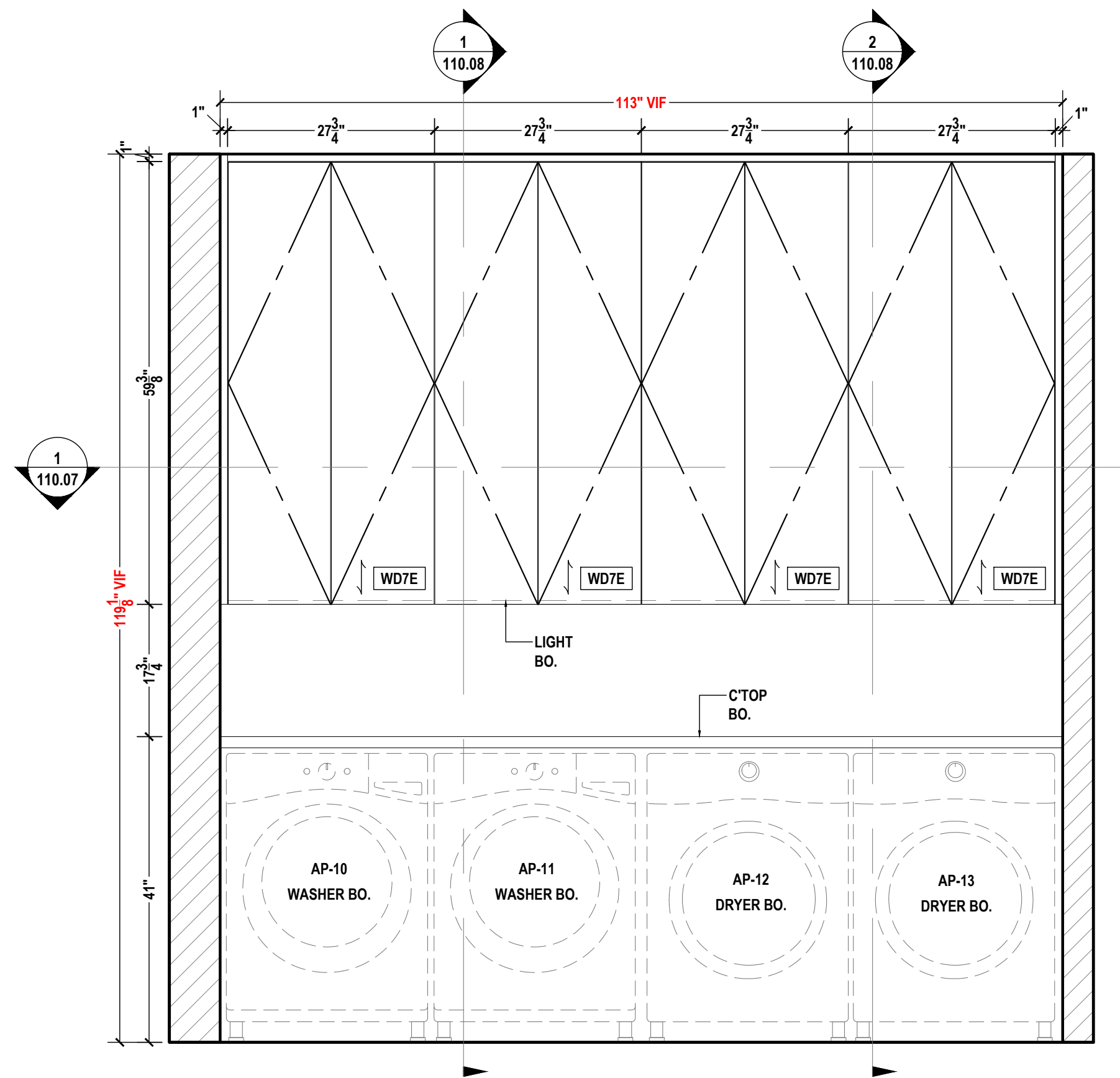
PM:	-
DRAWN BY:	TMS
DATE DRAWN:	10/11/2024
REVIEWED BY:	-

REVISIONS:

No.	DATE	DESCRIPTIONS	BY:
△	-	-	-
△	-	-	-
△	-	-	-
△	-	-	-
△	-	-	-
△	-	-	-
△	-	-	-
△	-	-	-

APPROVAL DATE	-
PLOT DATE	11/13/2024
PROJECT NUMBER	-----
ROOM NAME	110 - LAUNDRY
SHEET NUMBER	110.01





1 110 - LAUNDRY
ELEVATION
SCALE: 3/4"=1'-0" ARCH REF.: 7/A5.04



QCP	YES <input type="checkbox"/>	NO <input checked="" type="checkbox"/>
LEED	YES <input type="checkbox"/>	NO <input checked="" type="checkbox"/>
FSC	YES <input type="checkbox"/>	NO <input checked="" type="checkbox"/>
NAUF	YES <input type="checkbox"/>	NO <input checked="" type="checkbox"/>

FINISHES:

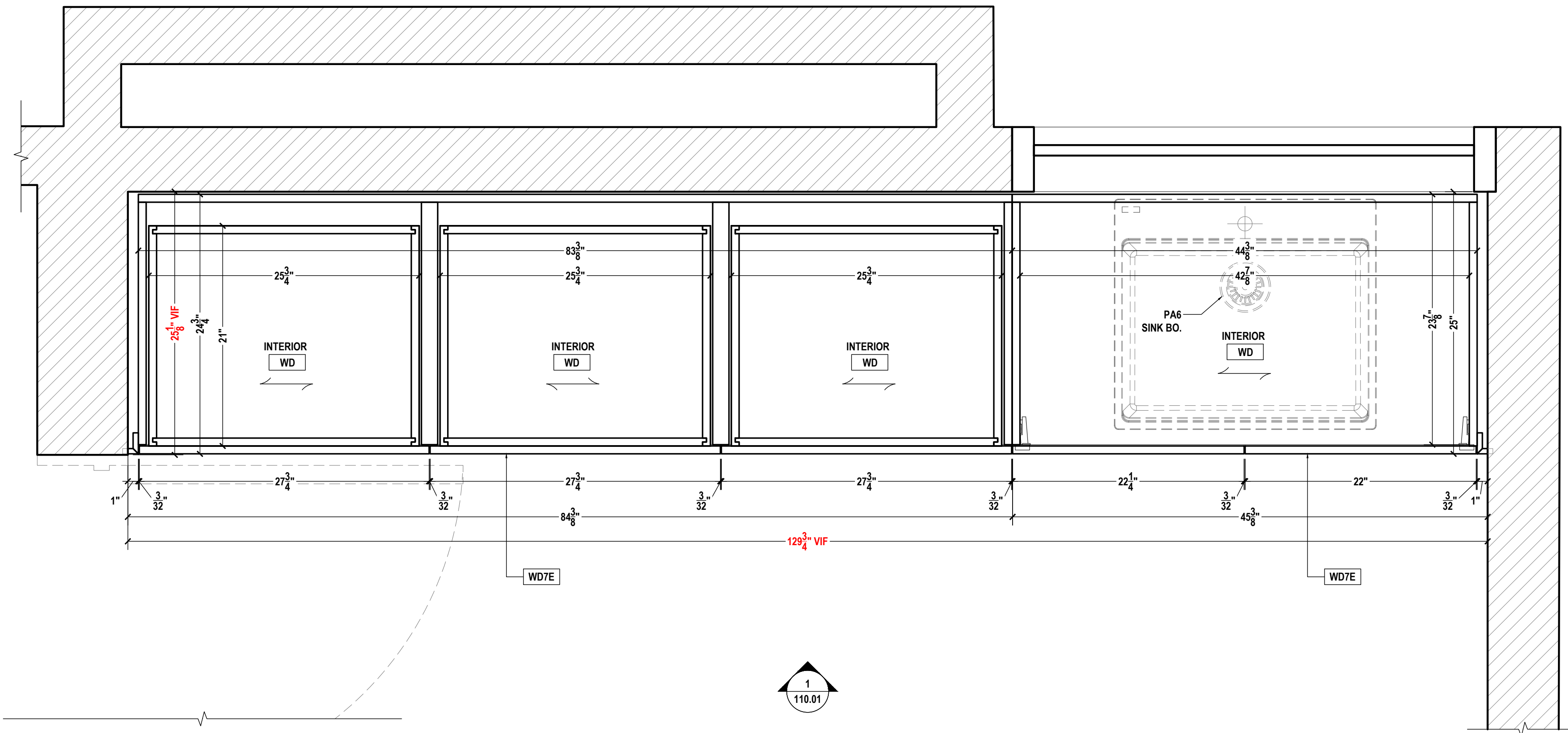
WOOD		GRAIN
KEY	COLOR	
WD7E	STAINED RIFT SAWN WHITE OAK	YES
INTERIOR FINISHES		GRAIN
KEY	COLOR	
WD	PREFINISHED MAPLE	YES
SPECIALS		GRAIN
KEY	COLOR	
MTL2A	METAL TO MATCH SVB RAW WHITE BRONZE	NO

PM:	-
DRAWN BY:	TMS
DATE DRAWN:	10/11/2024
REVIEWED BY:	-

REVISIONS:

No.	DATE:	DESCRIPTIONS:	BY:
△	-	-	-
△	-	-	-
△	-	-	-
△	-	-	-
△	-	-	-
△	-	-	-
△	-	-	-
△	-	-	-

APPROVAL DATE	-
PLOT DATE	11/13/2024
PROJECT NUMBER	-----
ROOM NAME	110 - LAUNDRY
SHEET NUMBER	110.02



QCP	YES <input type="checkbox"/>	NO <input checked="" type="checkbox"/>
LEED	YES <input type="checkbox"/>	NO <input checked="" type="checkbox"/>
FSC	YES <input type="checkbox"/>	NO <input checked="" type="checkbox"/>
NAUF	YES <input type="checkbox"/>	NO <input checked="" type="checkbox"/>

FINISHES:

WOOD			GRAIN
KEY	COLOR		YES
WD7E	STAINED RIPT SAWN WHITE OAK		YES
INTERIOR FINISHES			GRAIN
KEY	COLOR		YES
WD	PREFINISHED MAPLE		YES
SPECIALS			GRAIN
KEY	COLOR		YES
MTL2A	METAL TO MATCH SVB RAW WHITE BRONZE		NO

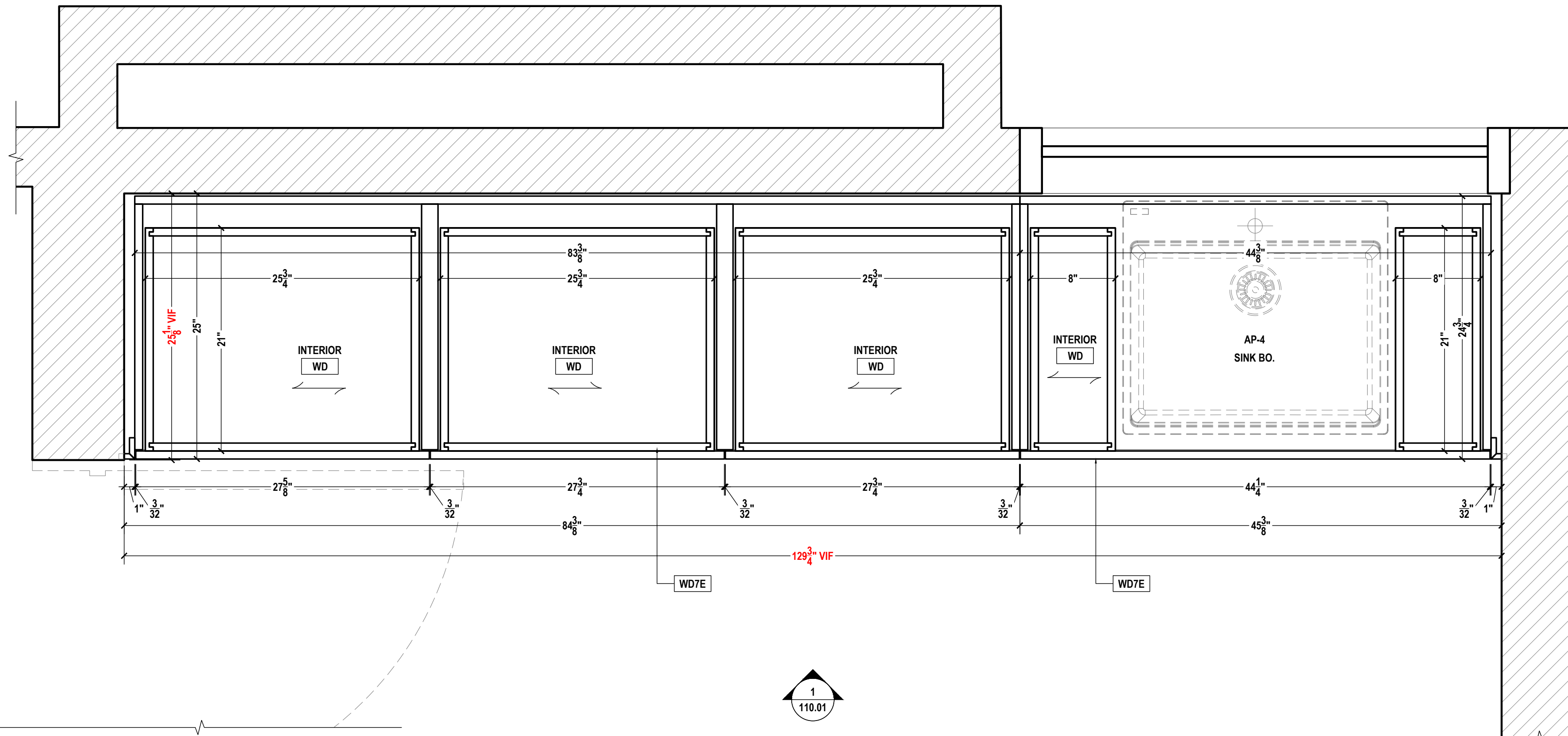
PM:	-
DRAWN BY:	TMS
DATE DRAWN:	10/11/2024
REVIEWED BY:	-

REVISIONS:

No.	DATE:	DESCRIPTIONS:	BY:
△	-	-	-
△	-	-	-
△	-	-	-
△	-	-	-
△	-	-	-
△	-	-	-
△	-	-	-
△	-	-	-

APPROVAL DATE	-
PLOT DATE	11/13/2024
PROJECT NUMBER	-----
ROOM NAME	110 - LAUNDRY
SHEET NUMBER	110.03

1 110 - LAUNDRY
 PLAN SECTION
 SCALE: 1-1/2"=1'-0" ARCH REF.: N/A



1 110 - LAUNDRY
 PLAN SECTION
 SCALE: 1-1/2"=1'-0" ARCH REF.: N/A



QCP	YES <input type="checkbox"/>	NO <input checked="" type="checkbox"/>
LEED	YES <input type="checkbox"/>	NO <input checked="" type="checkbox"/>
FSC	YES <input type="checkbox"/>	NO <input checked="" type="checkbox"/>
NAUF	YES <input type="checkbox"/>	NO <input checked="" type="checkbox"/>

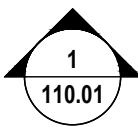
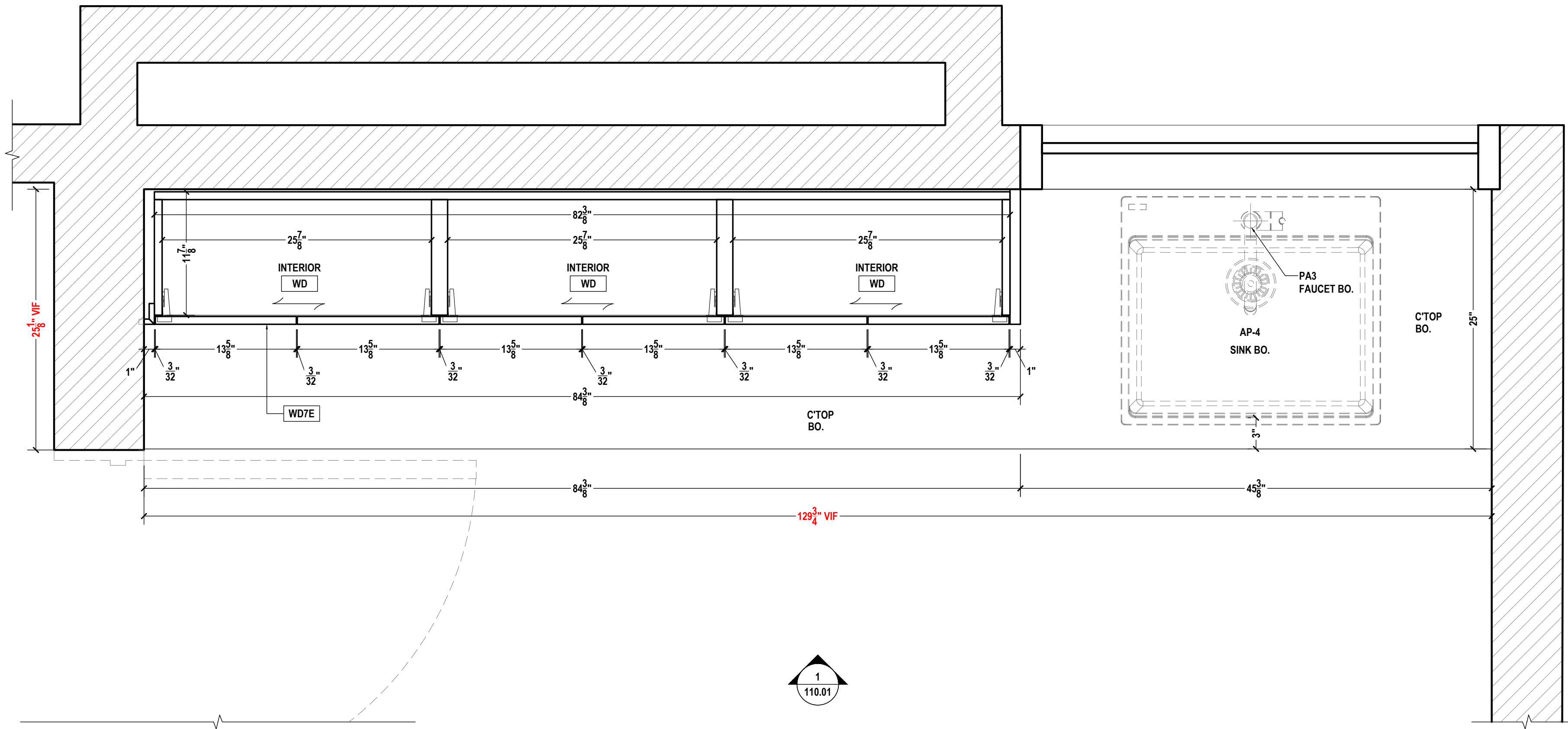
FINISHES:

KEY	WOOD COLOR	GRAIN
WD7E	STAINED RIFT SAWN WHITE OAK	YES
INTERIOR FINISHES		
KEY	COLOR	GRAIN
WD	PREFINISHED MAPLE	YES
SPECIALS		
KEY	COLOR	GRAIN
MTL2A	METAL TO MATCH SVB RAW WHITE BRONZE	NO

PM:	-
DRAWN BY:	TMS
DATE DRAWN:	10/11/2024
REVIEWED BY:	-

REVISIONS:			
No.	DATE:	DESCRIPTIONS:	BY:
△	-	-	-
△	-	-	-
△	-	-	-
△	-	-	-
△	-	-	-
△	-	-	-
△	-	-	-
△	-	-	-

APPROVAL DATE	-
PLOT DATE	11/13/2024
PROJECT NUMBER	-----
ROOM NAME	110 - LAUNDRY
SHEET NUMBER	110.04



1 110 - LAUNDRY
 PLAN SECTION
 SCALE: 1-1/2"=1'-0" ARCH REF.: 1/A5.04



QCP	YES <input type="checkbox"/>	NO <input checked="" type="checkbox"/>
LEED	YES <input type="checkbox"/>	NO <input checked="" type="checkbox"/>
FSC	YES <input type="checkbox"/>	NO <input checked="" type="checkbox"/>
NAUF	YES <input type="checkbox"/>	NO <input checked="" type="checkbox"/>

FINISHES:

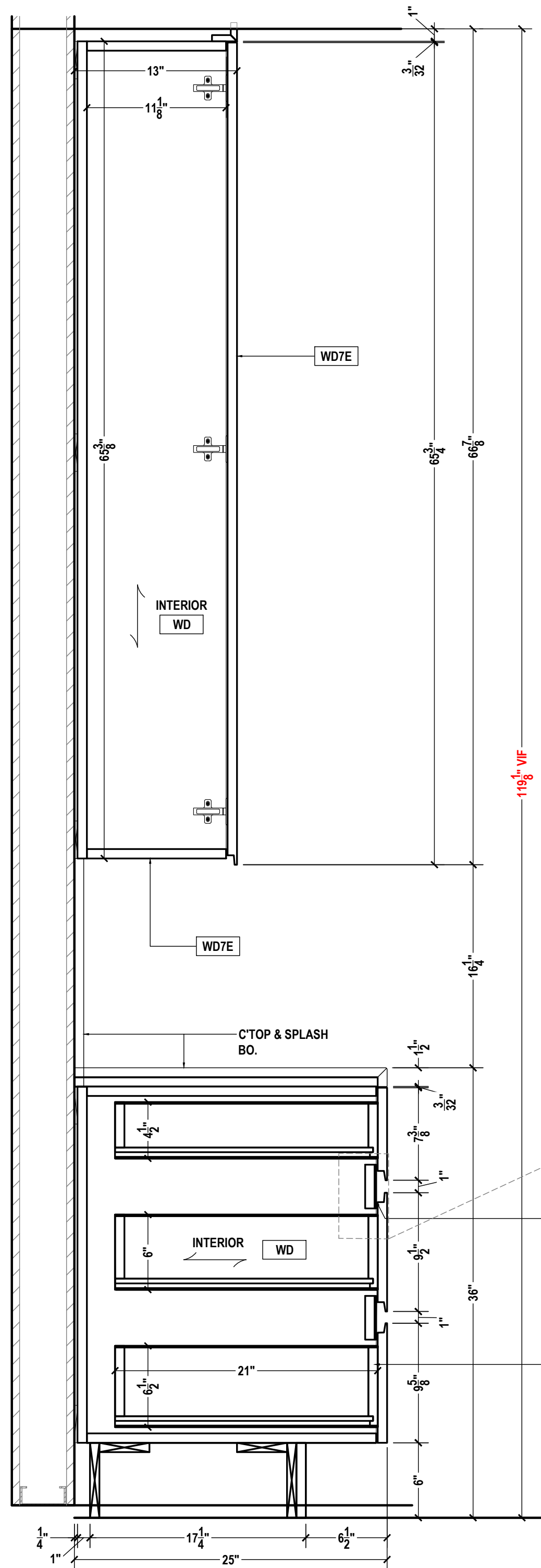
WOOD		GRAIN
KEY	COLOR	
WD7E	STAINED RIFT SAWN WHITE OAK	YES
INTERIOR FINISHES		GRAIN
KEY	COLOR	
WD	PREFINISHED MAPLE	YES
SPECIALS		GRAIN
KEY	COLOR	
MTL2A	METAL TO MATCH SVB RAW WHITE BRONZE	NO

PM:	-
DRAWN BY:	TMS
DATE DRAWN:	10/11/2024
REVIEWED BY:	-

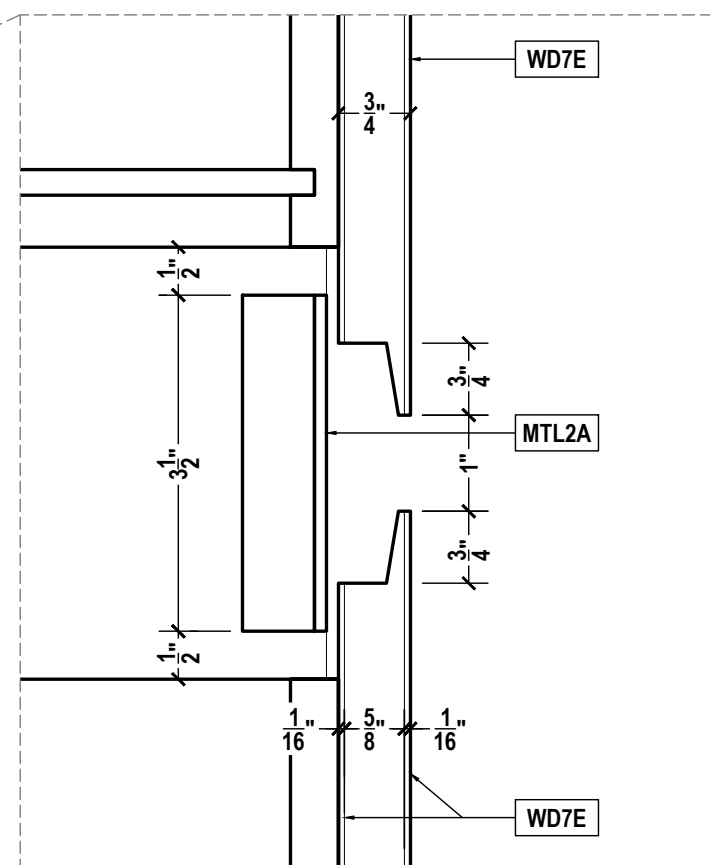
REVISIONS:

No.	DATE	DESCRIPTIONS	BY:
△	-	-	-
△	-	-	-
△	-	-	-
△	-	-	-
△	-	-	-
△	-	-	-
△	-	-	-
△	-	-	-

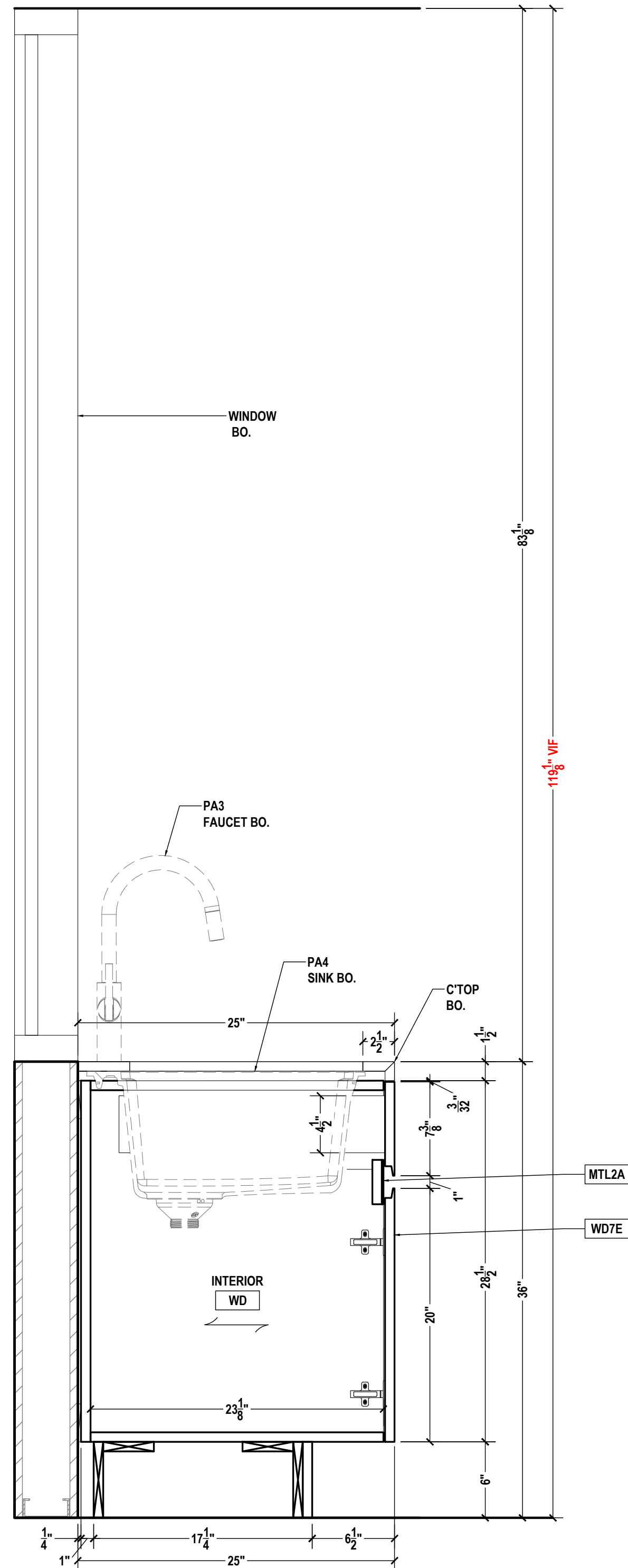
APPROVAL DATE	-
PLOT DATE	11/13/2024
PROJECT NUMBER	-----
ROOM NAME	110 - LAUNDRY
SHEET NUMBER	110.05



1 110 - LAUNDRY SECTION
SCALE: 1-1/2"=1'-0" ARCH REF.: N/A



3 110 - LAUNDRY DETAIL
SCALE: 6"=1'-0" ARCH REF.: 3/A9.20



2 110 - LAUNDRY SECTION
SCALE: 1-1/2"=1'-0" ARCH REF.: 1/A9.02



QCP	YES <input type="checkbox"/>	NO <input checked="" type="checkbox"/>
LEED	YES <input type="checkbox"/>	NO <input checked="" type="checkbox"/>
FSC	YES <input type="checkbox"/>	NO <input checked="" type="checkbox"/>
NAUF	YES <input type="checkbox"/>	NO <input checked="" type="checkbox"/>

FINISHES:

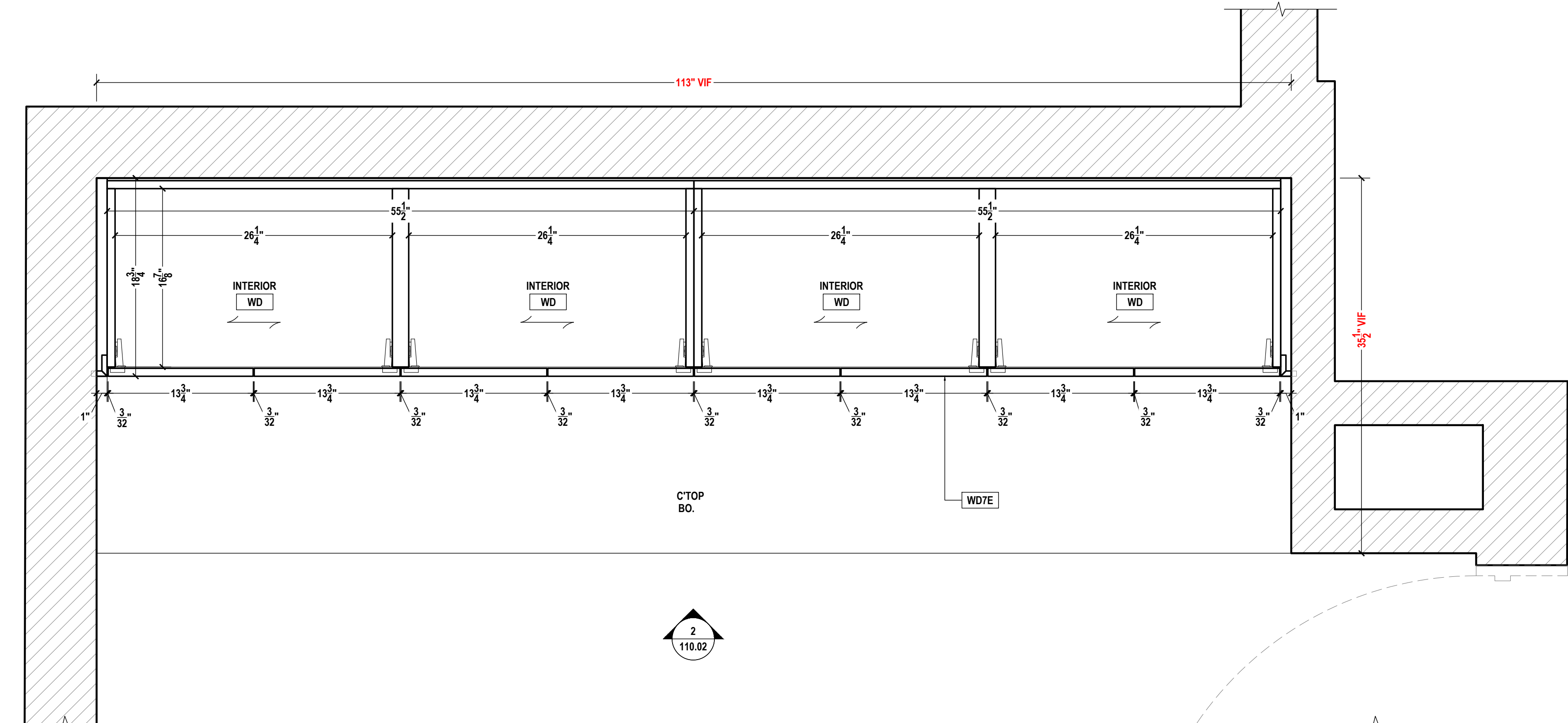
KEY	WOOD COLOR	GRAIN
WD7E	STAINED RIFT SAWN WHITE OAK	YES
KEY	INTERIOR FINISHES COLOR	GRAIN
WD	PREFINISHED MAPLE	YES
KEY	SPECIALS COLOR	GRAIN
MTL2A	METAL TO MATCH SVB RAW WHITE BRONZE	NO

PM:	-
DRAWN BY:	TMS
DATE DRAWN:	10/11/2024
REVIEWED BY:	-

REVISIONS:

No.	DATE	DESCRIPTIONS	BY:
△	-	-	-
△	-	-	-
△	-	-	-
△	-	-	-
△	-	-	-
△	-	-	-
△	-	-	-

APPROVAL DATE	-
PLOT DATE	11/13/2024
PROJECT NUMBER	-----
ROOM NAME	110 - LAUNDRY
SHEET NUMBER	110.06



QCP	YES <input type="checkbox"/>	NO <input checked="" type="checkbox"/>
LEED	YES <input type="checkbox"/>	NO <input checked="" type="checkbox"/>
FSC	YES <input type="checkbox"/>	NO <input checked="" type="checkbox"/>
NAUF	YES <input type="checkbox"/>	NO <input checked="" type="checkbox"/>

FINISHES:

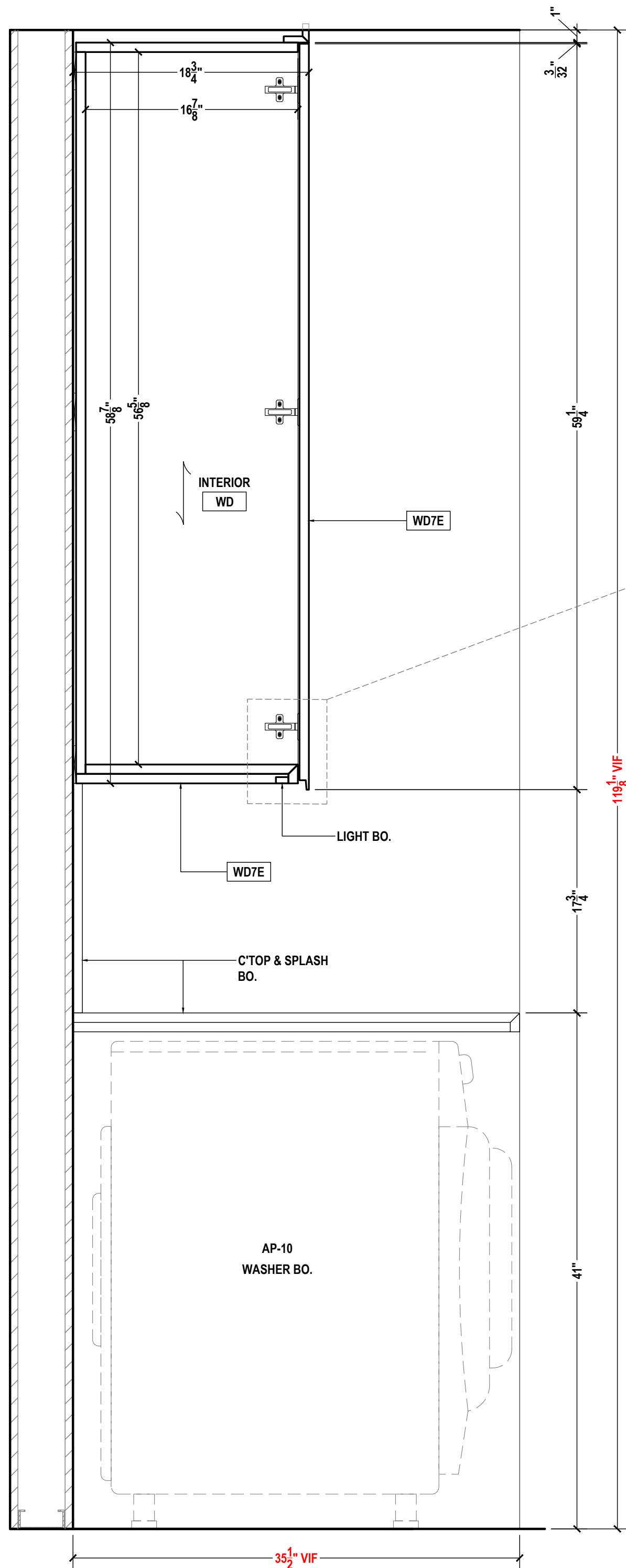
WOOD		
KEY	COLOR	GRAIN
WD7E	STAINED RIFT SAWN WHITE OAK	YES
INTERIOR FINISHES		
KEY	COLOR	GRAIN
WD	PREFINISHED MAPLE	YES
SPECIALS		
KEY	COLOR	GRAIN
MTL2A	METAL TO MATCH SUB RAW WHITE BRONZE	NO

PM:	-
DRAWN BY:	TMS
DATE DRAWN:	10/11/2024
REVIEWED BY:	-

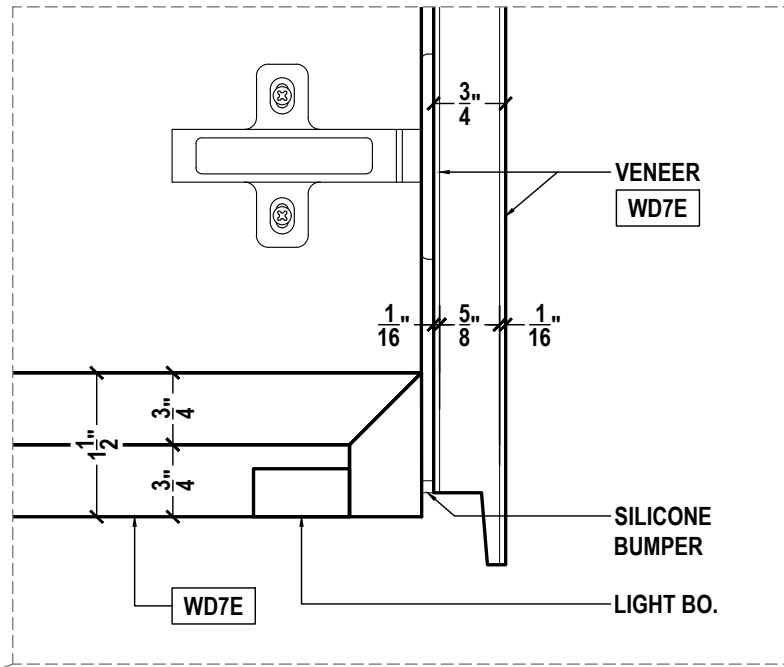
REVISIONS:			
No.	DATE	DESCRIPTIONS	BY:
△	-	-	-
△	-	-	-
△	-	-	-
△	-	-	-
△	-	-	-
△	-	-	-
△	-	-	-
△	-	-	-

APPROVAL DATE	-
PLOT DATE	11/13/2024
PROJECT NUMBER	-----
ROOM NAME	110 - LAUNDRY
SHEET NUMBER	110.07

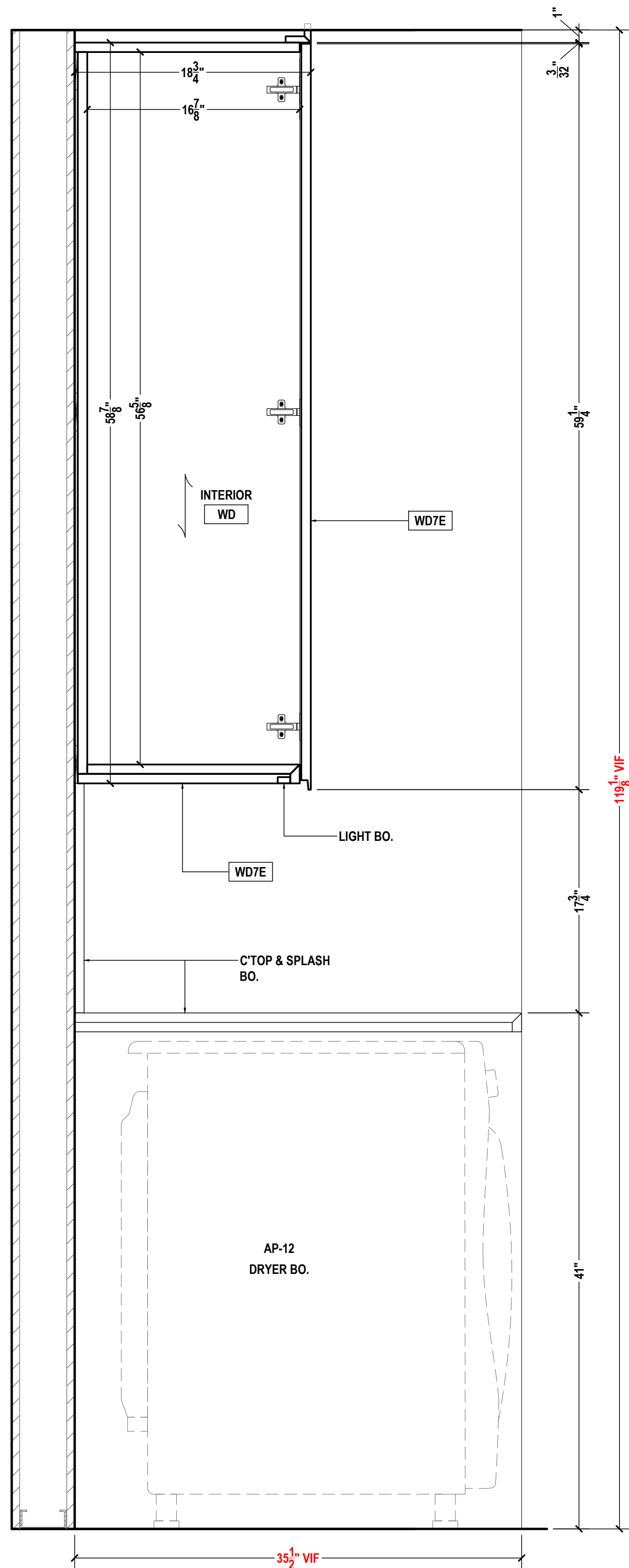
1 110 - LAUNDRY
 PLAN SECTION
 SCALE: 1-1/2"=1'-0" ARCH REF.: 1/AS.04



1 110 - LAUNDRY SECTION
 SCALE: 1-1/2"=1'-0"
 ARCH REF.: N/A



3 110 - LAUNDRY DETAIL
 SCALE: 6"=1'-0"
 ARCH REF.: 5/A9.20



2 110 - LAUNDRY SECTION
 SCALE: 1-1/2"=1'-0"
 ARCH REF.: N/A



QCP	YES <input type="checkbox"/>	NO <input checked="" type="checkbox"/>
LEED	YES <input type="checkbox"/>	NO <input checked="" type="checkbox"/>
FSC	YES <input type="checkbox"/>	NO <input checked="" type="checkbox"/>
NAUF	YES <input type="checkbox"/>	NO <input checked="" type="checkbox"/>

FINISHES:

KEY	WOOD COLOR	GRAIN
WD7E	STAINED RIFT SAWN WHITE OAK	YES

INTERIOR FINISHES:

KEY	COLOR	GRAIN
WD	PREFINISHED MAPLE	YES

SPECIALS:

KEY	COLOR	GRAIN
MTL2A	METAL TO MATCH SVB RAW WHITE BRONZE	NO

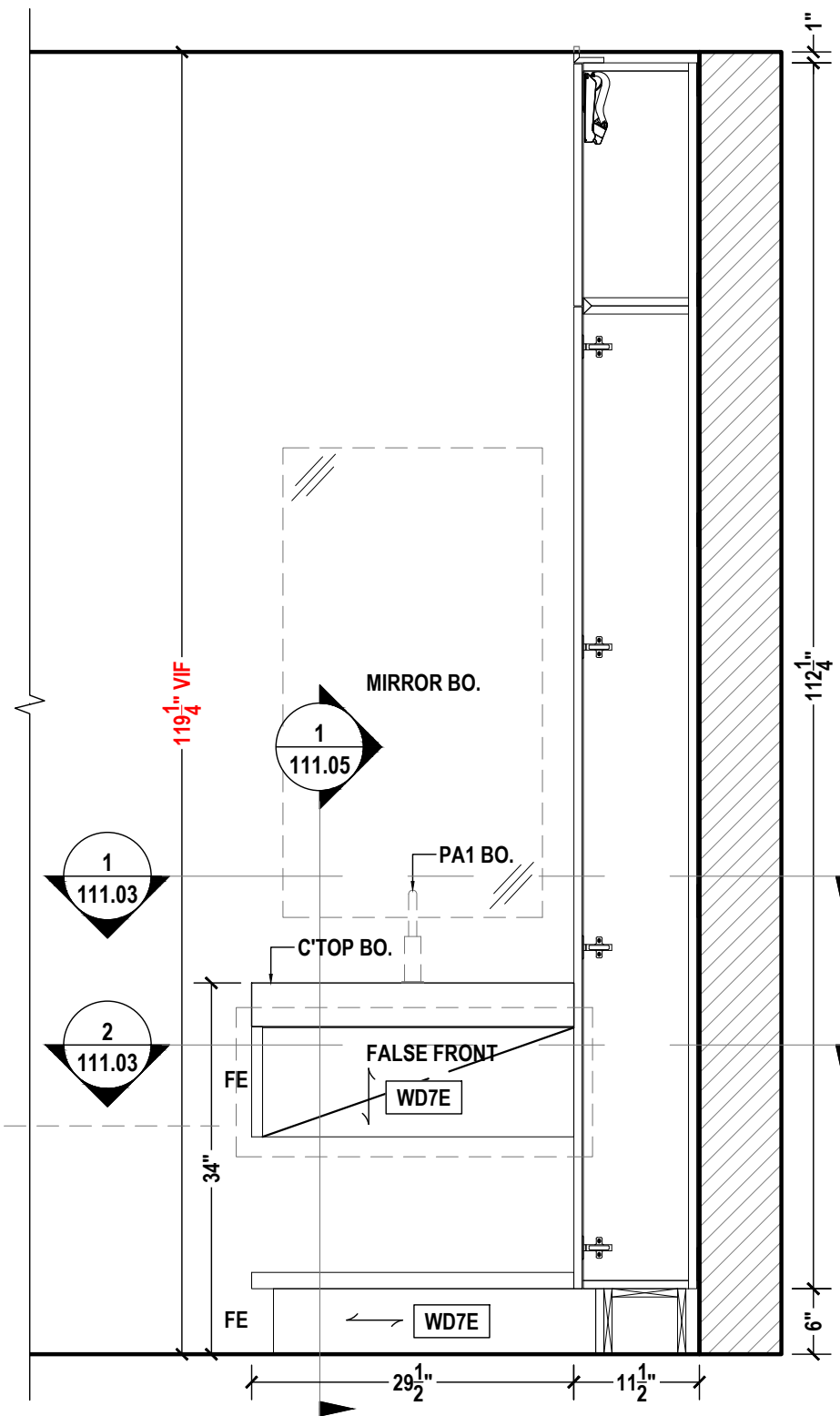
PM:	-
DRAWN BY:	TMS
DATE DRAWN:	10/11/2024
REVIEWED BY:	-

REVISIONS:

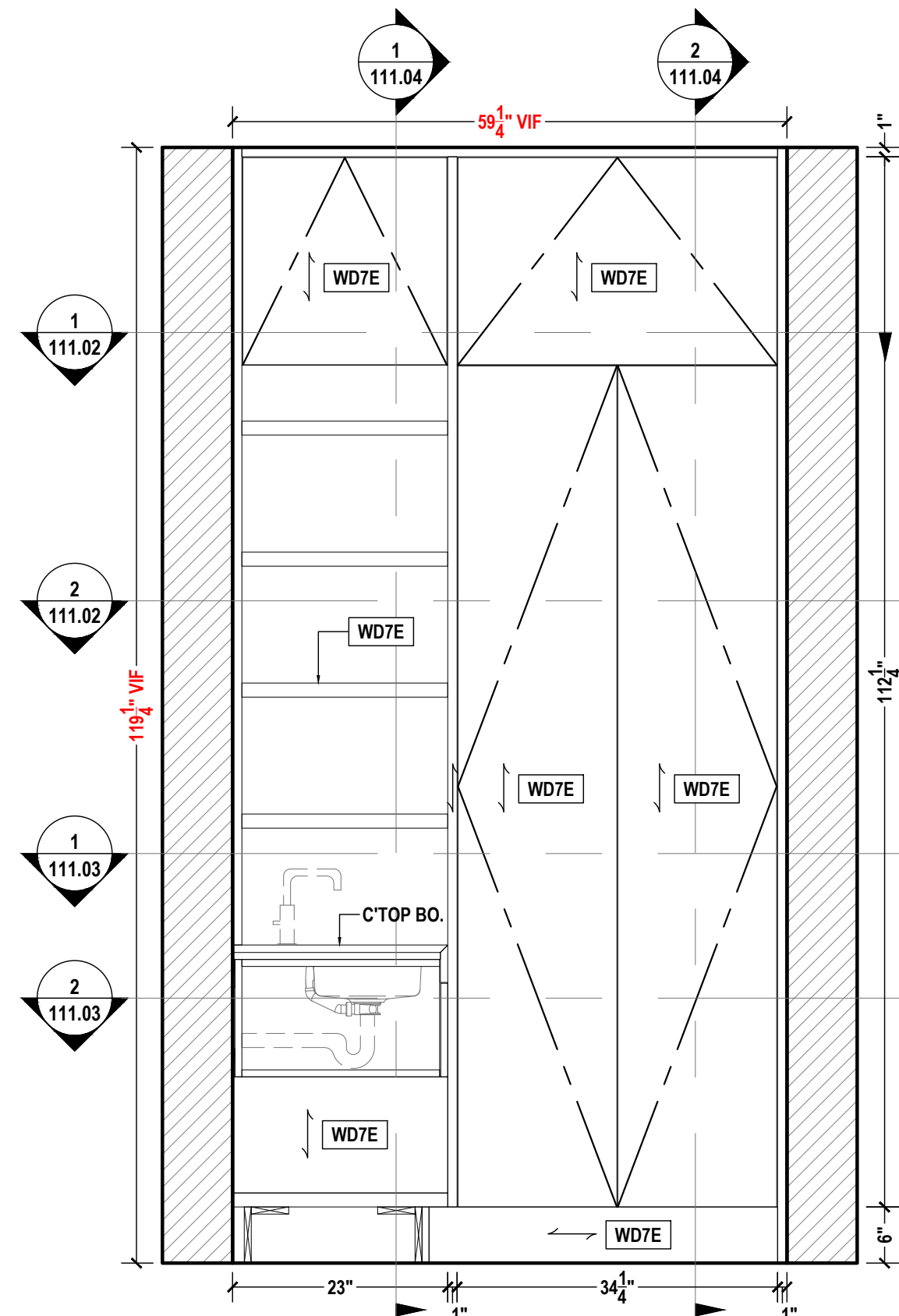
No.	DATE:	DESCRIPTIONS:	BY:
△	-	-	-
△	-	-	-
△	-	-	-
△	-	-	-
△	-	-	-
△	-	-	-
△	-	-	-

APPROVAL DATE	-
PLOT DATE	11/13/2024
PROJECT NUMBER	-----
ROOM NAME	110 - LAUNDRY
SHEET NUMBER	110.08

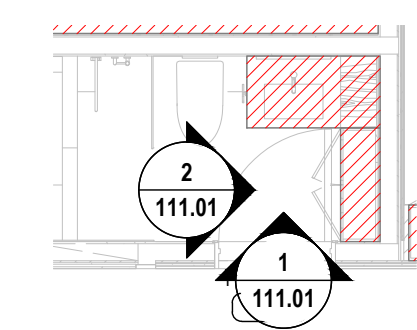
**** NOTE TO ARCH AND G.C. ****
 REFERENCE RFI LIST ON SHEET 1CS.02
 PLEASE CONFIRM HOW UPPER CABINETS
 AND TALL CABINET WILL OPEN



1 111- POOL BATH
 ELEVATION
 SCALE: 3/4"=1'-0" ARCH REF.: 5/A5.04



2 111- POOL BATH
 ELEVATION
 SCALE: 3/4"=1'-0" ARCH REF.: 2/A5.04



	QCP	YES <input type="checkbox"/>	NO <input checked="" type="checkbox"/>
	LEED	YES <input type="checkbox"/>	NO <input checked="" type="checkbox"/>
	FSC	YES <input type="checkbox"/>	NO <input checked="" type="checkbox"/>
	NAUF	YES <input type="checkbox"/>	NO <input checked="" type="checkbox"/>

FINISHES:

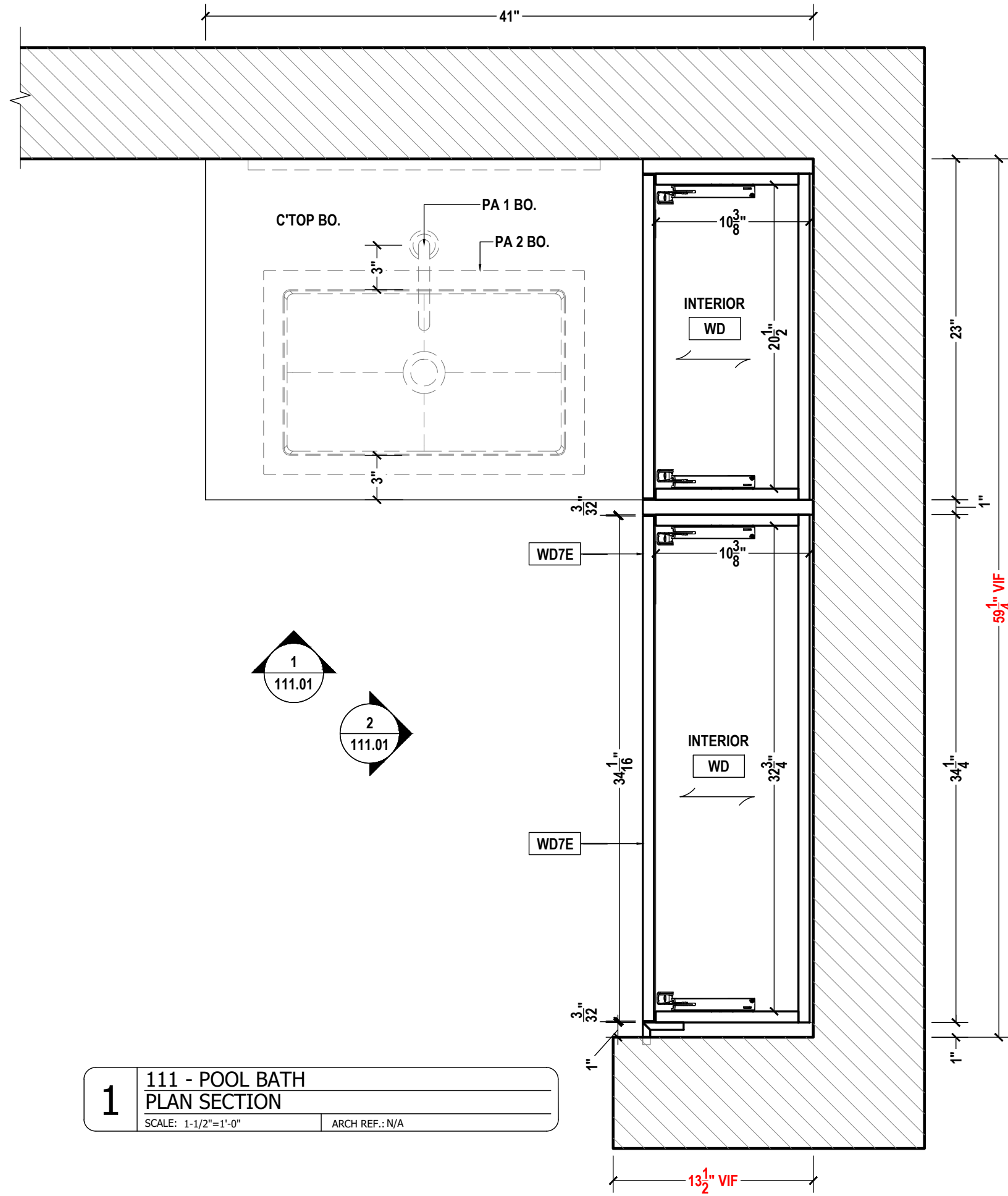
KEY	WOOD COLOR	GRAIN
WD7E	STAINED RIFT SAWN WHITE OAK	YES
KEY	INTERIOR FINISHES COLOR	GRAIN
WD	PREFINISHED MAPLE	YES
KEY	SPECIALS COLOR	GRAIN
MTL2A	METAL TO MATCH S/SB RAW WHITE BRONZE	NO

PM:	-
DRAWN BY:	TMS
DATE DRAWN:	10/11/2024
REVIEWED BY:	-

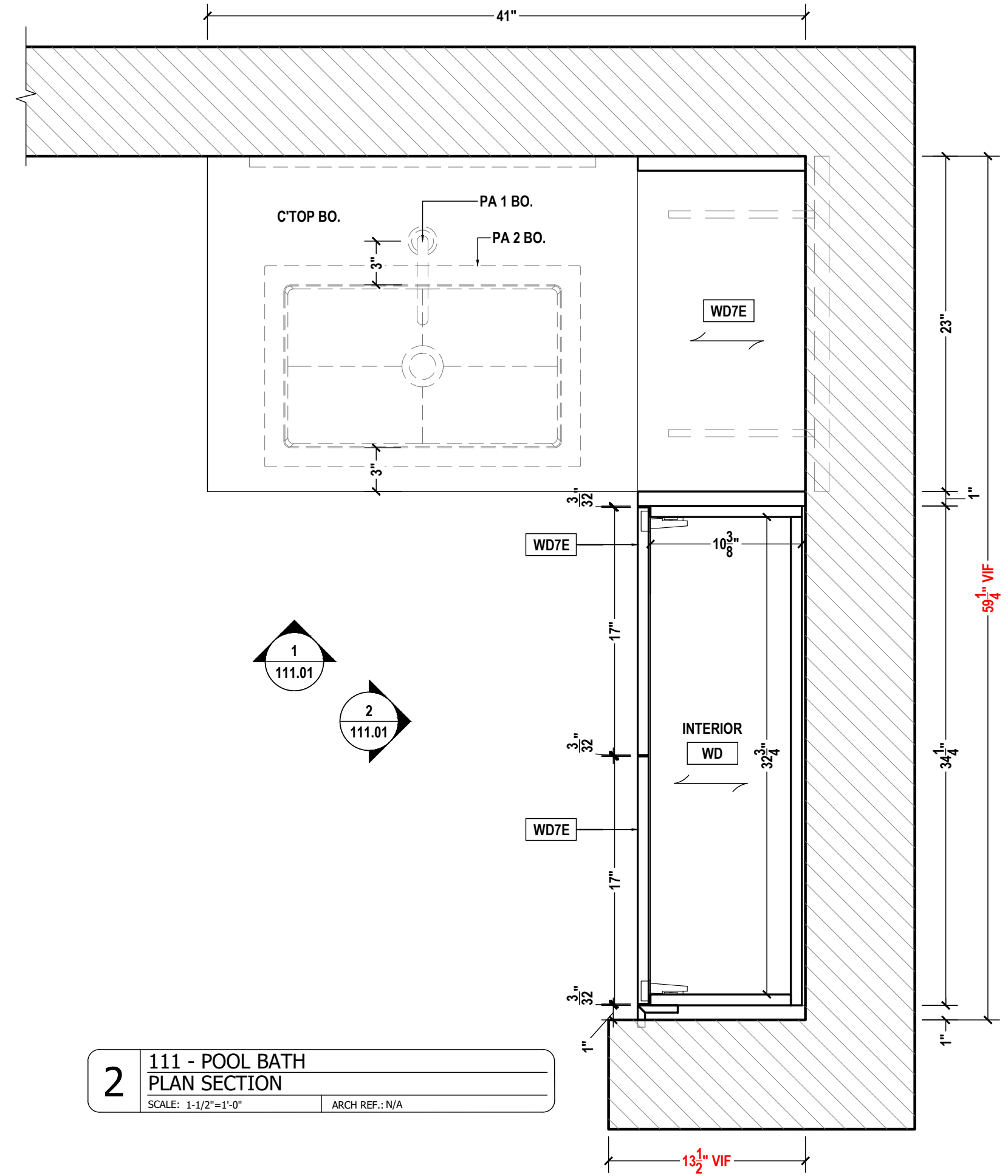
REVISIONS:

No.	DATE:	DESCRIPTIONS:	BY:
△	-	-	-
△	-	-	-
△	-	-	-
△	-	-	-
△	-	-	-
△	-	-	-
△	-	-	-
△	-	-	-

APPROVAL DATE	-
PLOT DATE	11/13/2024
PROJECT NUMBER	-----
ROOM NAME	111 - POOL BATH
SHEET NUMBER	111.01



1 111 - POOL BATH
 PLAN SECTION
 SCALE: 1-1/2"=1'-0" ARCH REF.: N/A



2 111 - POOL BATH
 PLAN SECTION
 SCALE: 1-1/2"=1'-0" ARCH REF.: N/A

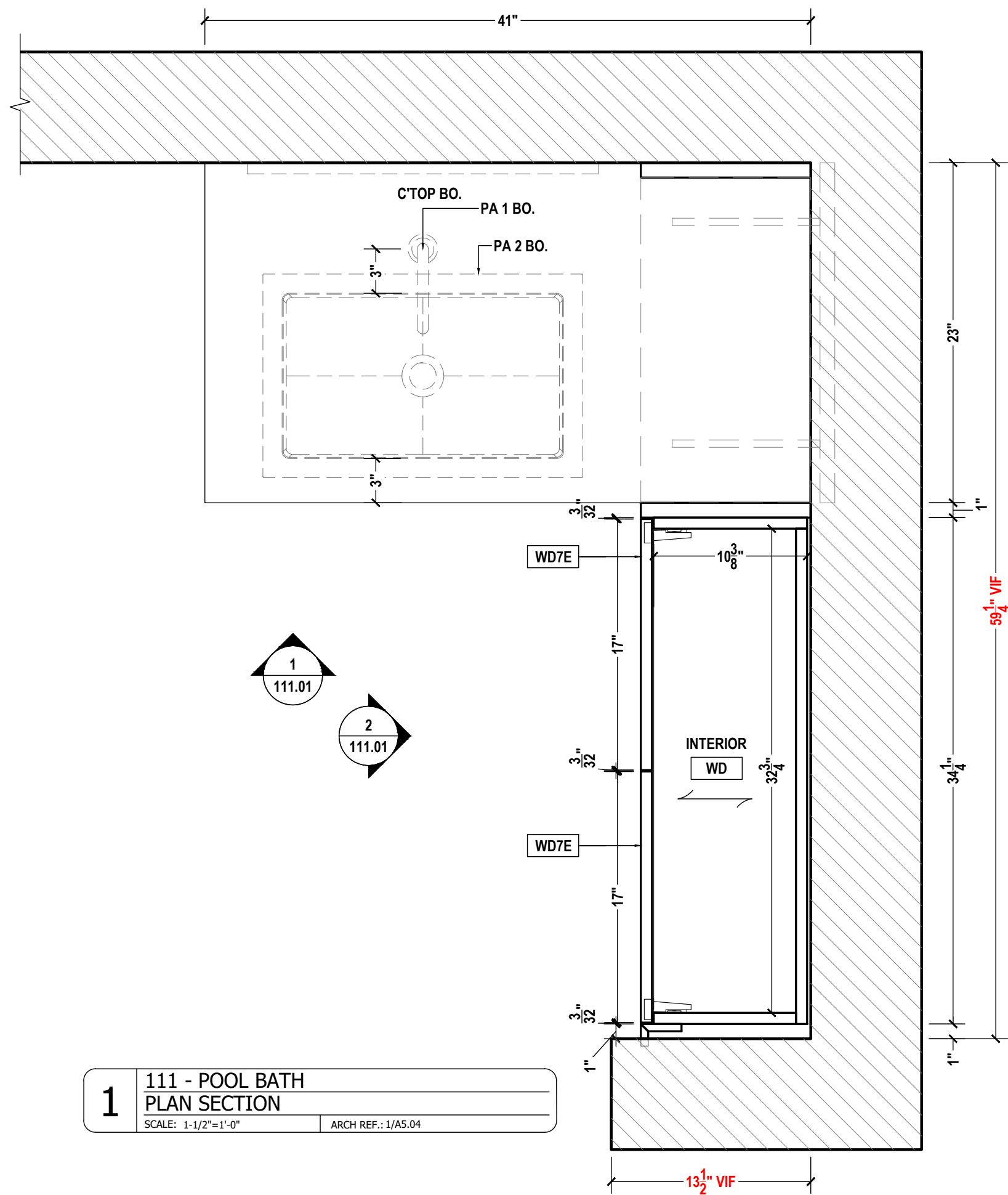
	QCP	YES <input type="checkbox"/>	NO <input checked="" type="checkbox"/>
	LEED	YES <input type="checkbox"/>	NO <input checked="" type="checkbox"/>
	FSC	YES <input type="checkbox"/>	NO <input checked="" type="checkbox"/>
	NAUF	YES <input type="checkbox"/>	NO <input checked="" type="checkbox"/>

FINISHES:		
KEY	WOOD COLOR	GRAIN
WD7E	STAINED RIFT SAWN WHITE OAK	YES
INTERIOR FINISHES		
KEY	COLOR	GRAIN
WD	PREFINISHED MAPLE	YES
SPECIALS		
KEY	COLOR	GRAIN
MTL2A	METAL TO MATCH SVB RAW WHITE BRONZE	NO

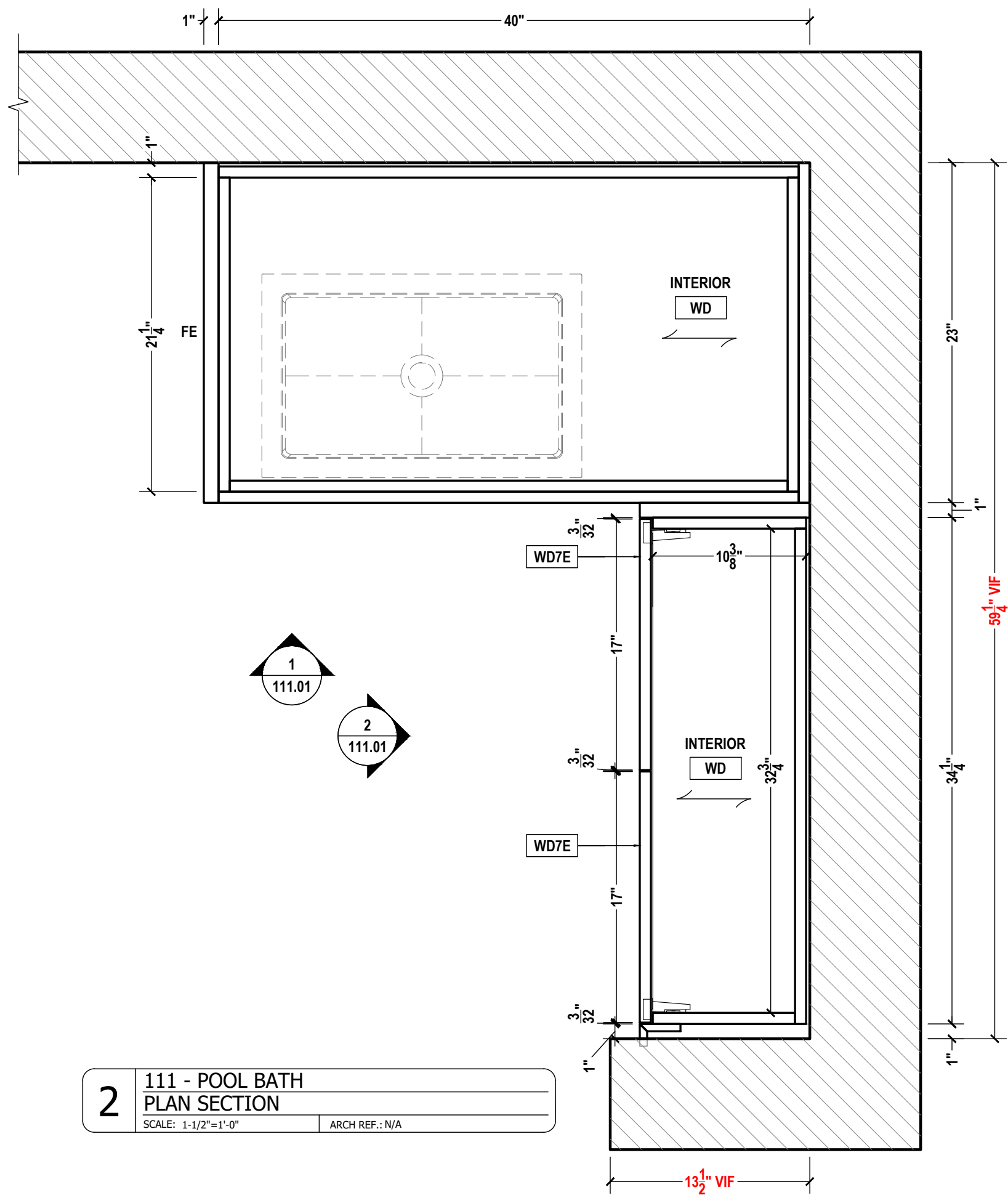
PM:	-
DRAWN BY:	TMS
DATE DRAWN:	10/11/2024
REVIEWED BY:	-

REVISIONS:			
No.	DATE:	DESCRIPTIONS:	BY:
△	-	-	-
△	-	-	-
△	-	-	-
△	-	-	-
△	-	-	-
△	-	-	-
△	-	-	-

APPROVAL DATE	-
PLOT DATE	11/13/2024
PROJECT NUMBER	-----
ROOM NAME	111 - POOL BATH
SHEET NUMBER	111.02



1 111 - POOL BATH
PLAN SECTION
SCALE: 1-1/2"=1'-0" ARCH REF.: 1/A5.04



2 111 - POOL BATH
PLAN SECTION
SCALE: 1-1/2"=1'-0" ARCH REF.: N/A

	QCP	YES <input type="checkbox"/>	NO <input checked="" type="checkbox"/>
	LEED	YES <input type="checkbox"/>	NO <input checked="" type="checkbox"/>
	FSC	YES <input type="checkbox"/>	NO <input checked="" type="checkbox"/>
	NAUF	YES <input type="checkbox"/>	NO <input checked="" type="checkbox"/>

FINISHES:

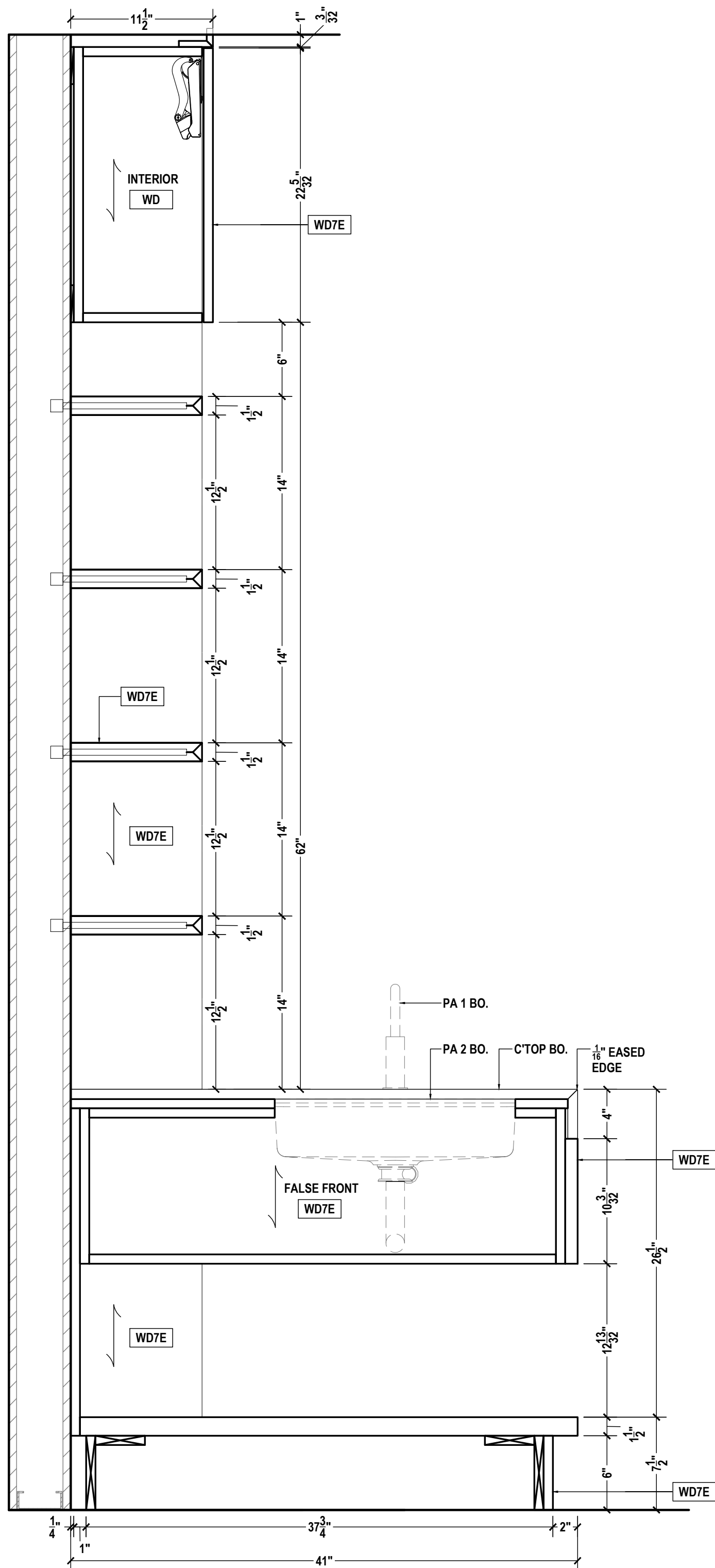
KEY	WOOD COLOR	GRAIN
WD7E	STAINED RIPT SAWN WHITE OAK	YES
KEY	INTERIOR FINISHES COLOR	GRAIN
WD	PREFINISHED MAPLE	YES
KEY	SPECIALS COLOR	GRAIN
MTL2A	METAL TO MATCH SVB RAW WHITE BRONZE	NO

PM:	-
DRAWN BY:	TMS
DATE DRAWN:	10/11/2024
REVIEWED BY:	-

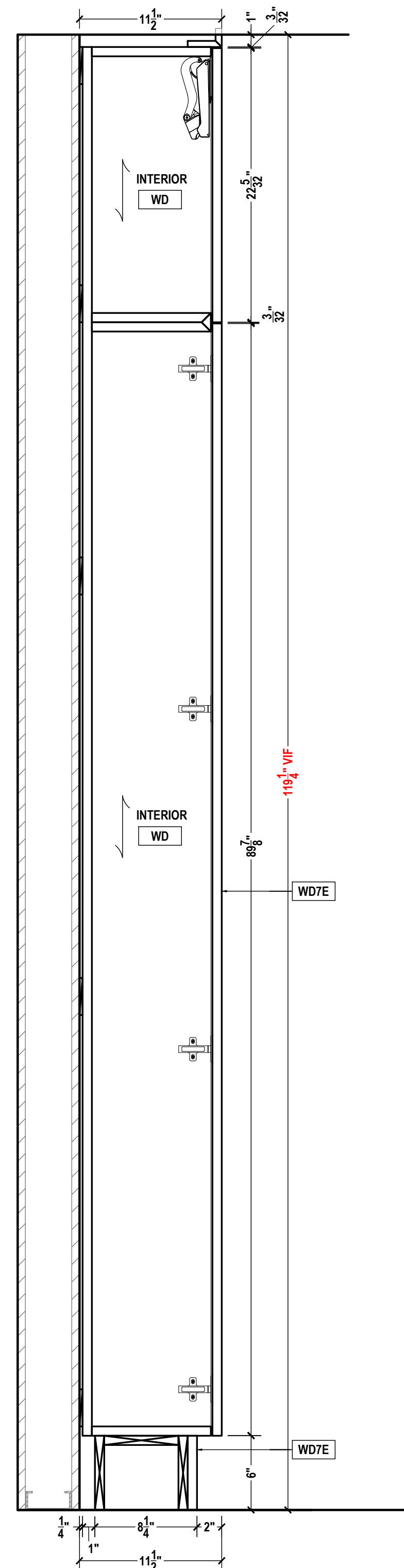
REVISIONS:

No.	DATE:	DESCRIPTIONS:	BY:
△	-	-	-
△	-	-	-
△	-	-	-
△	-	-	-
△	-	-	-
△	-	-	-
△	-	-	-
△	-	-	-

APPROVAL DATE	-
PLOT DATE	11/13/2024
PROJECT NUMBER	-----
ROOM NAME	111 - POOL BATH
SHEET NUMBER	111.03



1 111 - POOL BATH SECTION
 SCALE: 1-1/2"=1'-0" ARCH REF.: N/A



2 111 - POOL BATH SECTION
 SCALE: 1-1/2"=1'-0" ARCH REF.: N/A



QCP	YES <input type="checkbox"/>	NO <input checked="" type="checkbox"/>
LEED	YES <input type="checkbox"/>	NO <input checked="" type="checkbox"/>
FSC	YES <input type="checkbox"/>	NO <input checked="" type="checkbox"/>
NAUF	YES <input type="checkbox"/>	NO <input checked="" type="checkbox"/>

FINISHES:

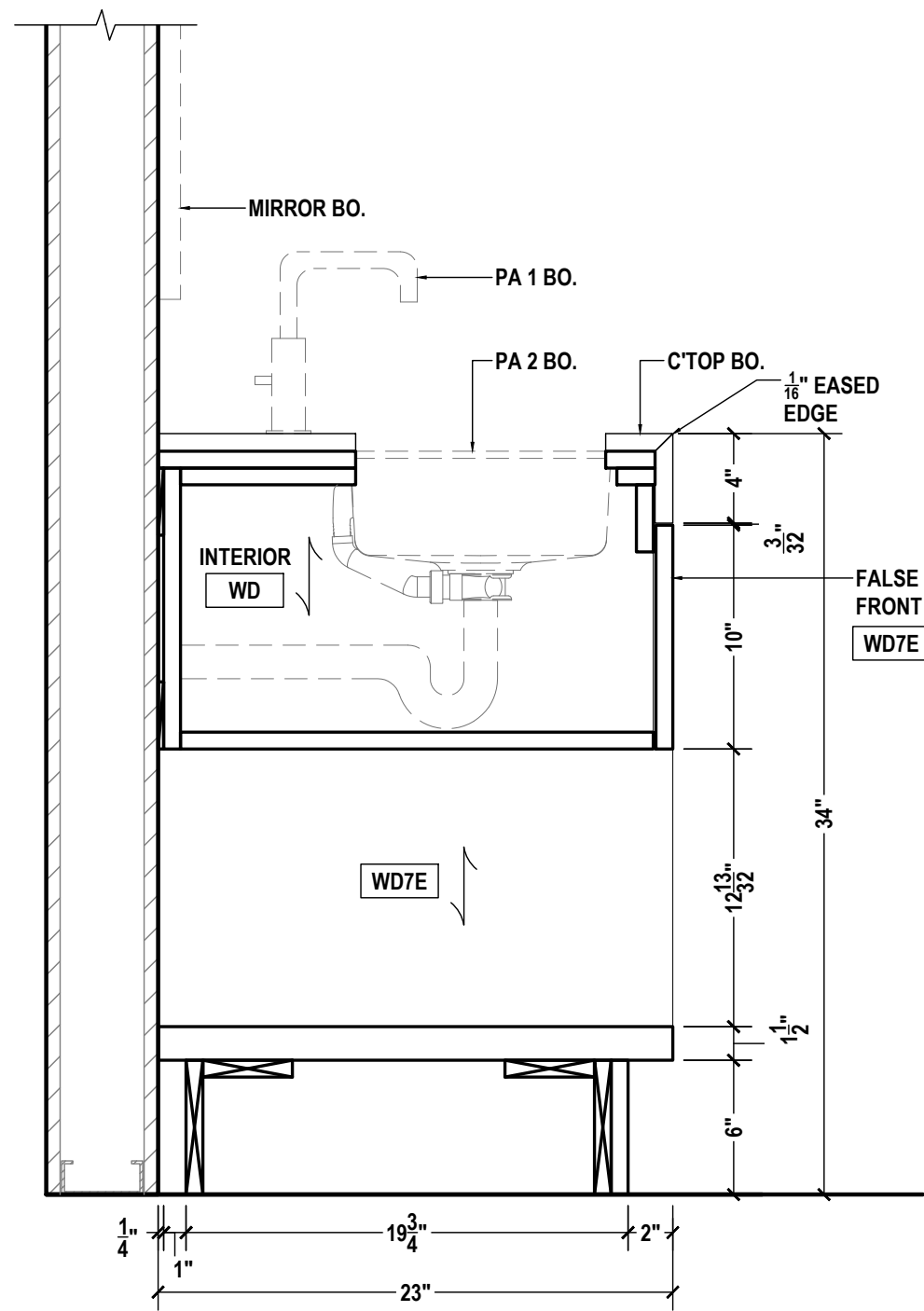
KEY	WOOD COLOR	GRAIN
WD7E	STAINED RIFT SAWN WHITE OAK	YES
KEY	INTERIOR FINISHES COLOR	GRAIN
WD	PREFINISHED MAPLE	YES
KEY	SPECIALS COLOR	GRAIN
MTL2A	METAL TO MATCH SVB RAW WHITE BRONZE	NO

PM:	-
DRAWN BY:	TMS
DATE DRAWN:	10/11/2024
REVIEWED BY:	-

REVISIONS:

No.	DATE:	DESCRIPTIONS:	BY:
△	-	-	-
△	-	-	-
△	-	-	-
△	-	-	-
△	-	-	-
△	-	-	-
△	-	-	-
△	-	-	-

APPROVAL DATE	-
PLOT DATE	11/13/2024
PROJECT NUMBER	-----
ROOM NAME	111 - POOL BATH
SHEET NUMBER	111.04



1 111 - POOL BATH SECTION
 SCALE: 1-1/2"=1'-0" ARCH REF.: 7/A9.02



QCP	YES <input type="checkbox"/>	NO <input checked="" type="checkbox"/>
LEED	YES <input type="checkbox"/>	NO <input checked="" type="checkbox"/>
FSC	YES <input type="checkbox"/>	NO <input checked="" type="checkbox"/>
NAUF	YES <input type="checkbox"/>	NO <input checked="" type="checkbox"/>

FINISHES:

WOOD		GRAIN
KEY	COLOR	
WD7E	STAINED RIFT SAWN WHITE OAK	YES
INTERIOR FINISHES		GRAIN
KEY	COLOR	
WD	PREFINISHED MAPLE	YES
SPECIALS		GRAIN
KEY	COLOR	
MTL2A	METAL TO MATCH SVB RAW WHITE BRONZE	NO

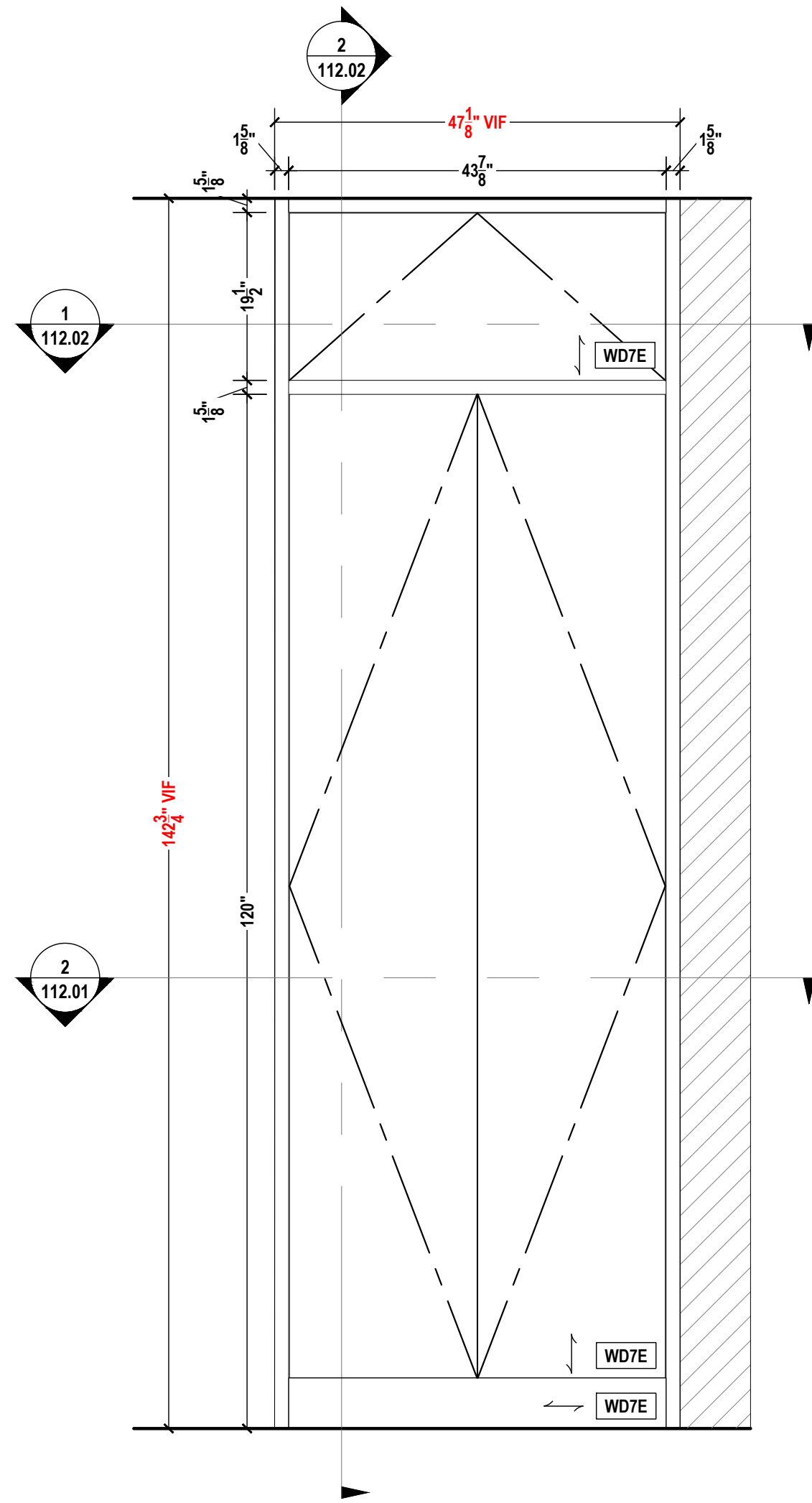
PM:	-
DRAWN BY:	TMS
DATE DRAWN:	10/11/2024
REVIEWED BY:	-

REVISIONS:

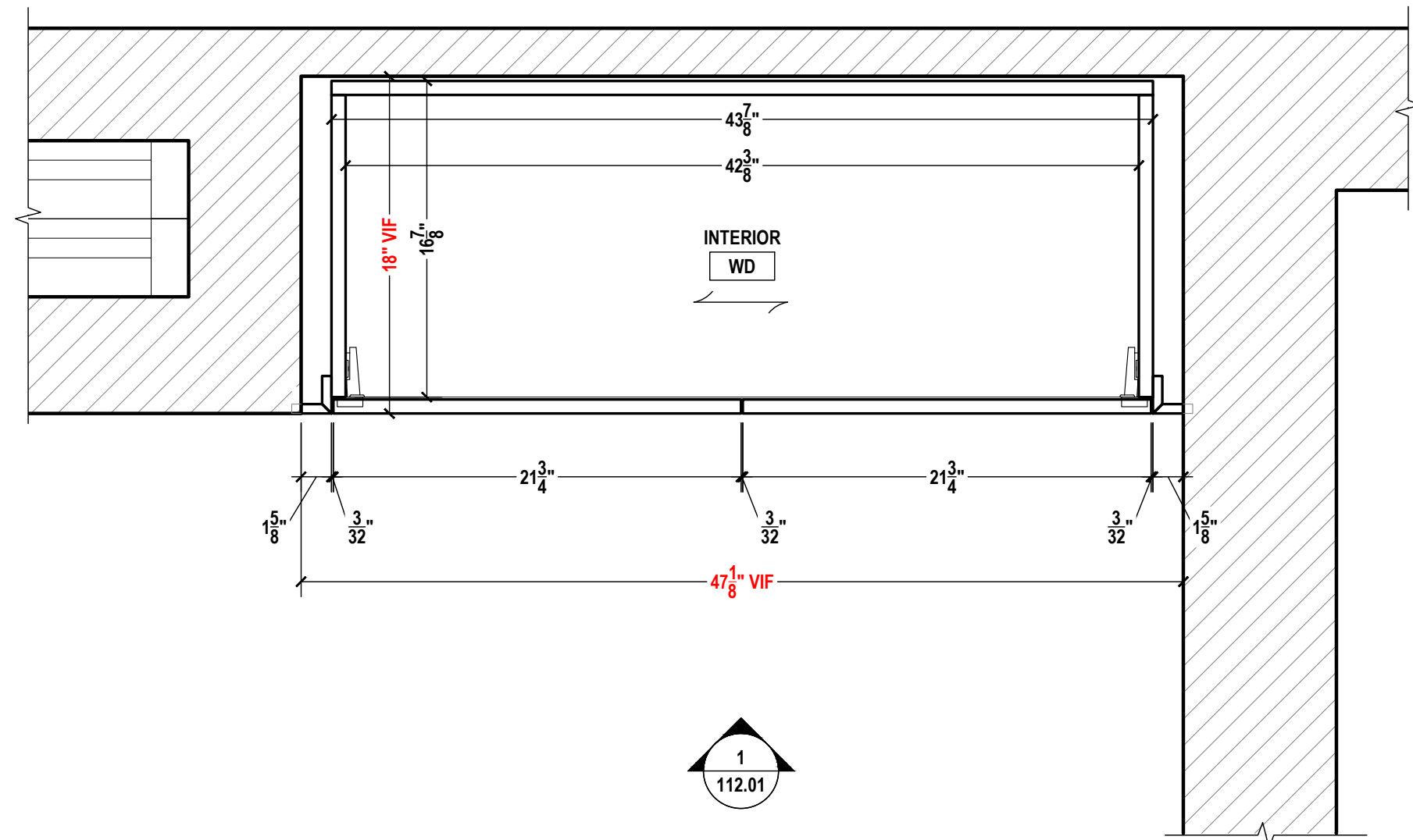
No.	DATE:	DESCRIPTIONS:	BY:
△	-	-	-
△	-	-	-
△	-	-	-
△	-	-	-
△	-	-	-
△	-	-	-
△	-	-	-
△	-	-	-

APPROVAL DATE	-
PLOT DATE	11/13/2024
PROJECT NUMBER	-----
ROOM NAME	111 - POOL BATH
SHEET NUMBER	111.05

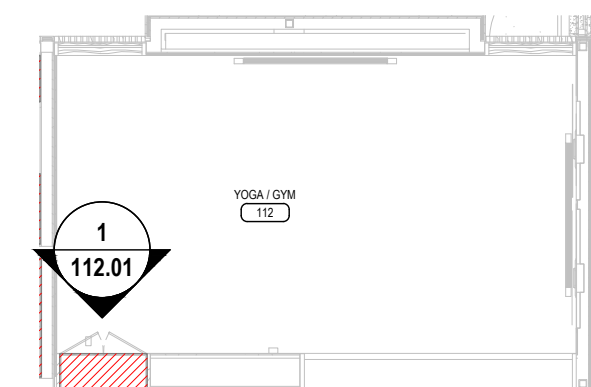
**** NOTE TO ARCH AND G.C. ****
 REFERENCE RFI LIST ON SHEET 1CS.03
 PLEASE CONFIRM HOW WARDROBE
 CABINET WILL OPEN



1 112 - YOGA / GYM
 ELEVATION
 SCALE: 3/4"=1'-0" ARCH REF.: 2/A5.08



2 112 - YOGA / GYM
 PLAN SECTION
 SCALE: 1-1/2"=1'-0" ARCH REF.: 1/A2.12



QCP	YES <input type="checkbox"/>	NO <input checked="" type="checkbox"/>
LEED	YES <input type="checkbox"/>	NO <input checked="" type="checkbox"/>
FSC	YES <input type="checkbox"/>	NO <input checked="" type="checkbox"/>
NAUF	YES <input type="checkbox"/>	NO <input checked="" type="checkbox"/>

FINISHES:

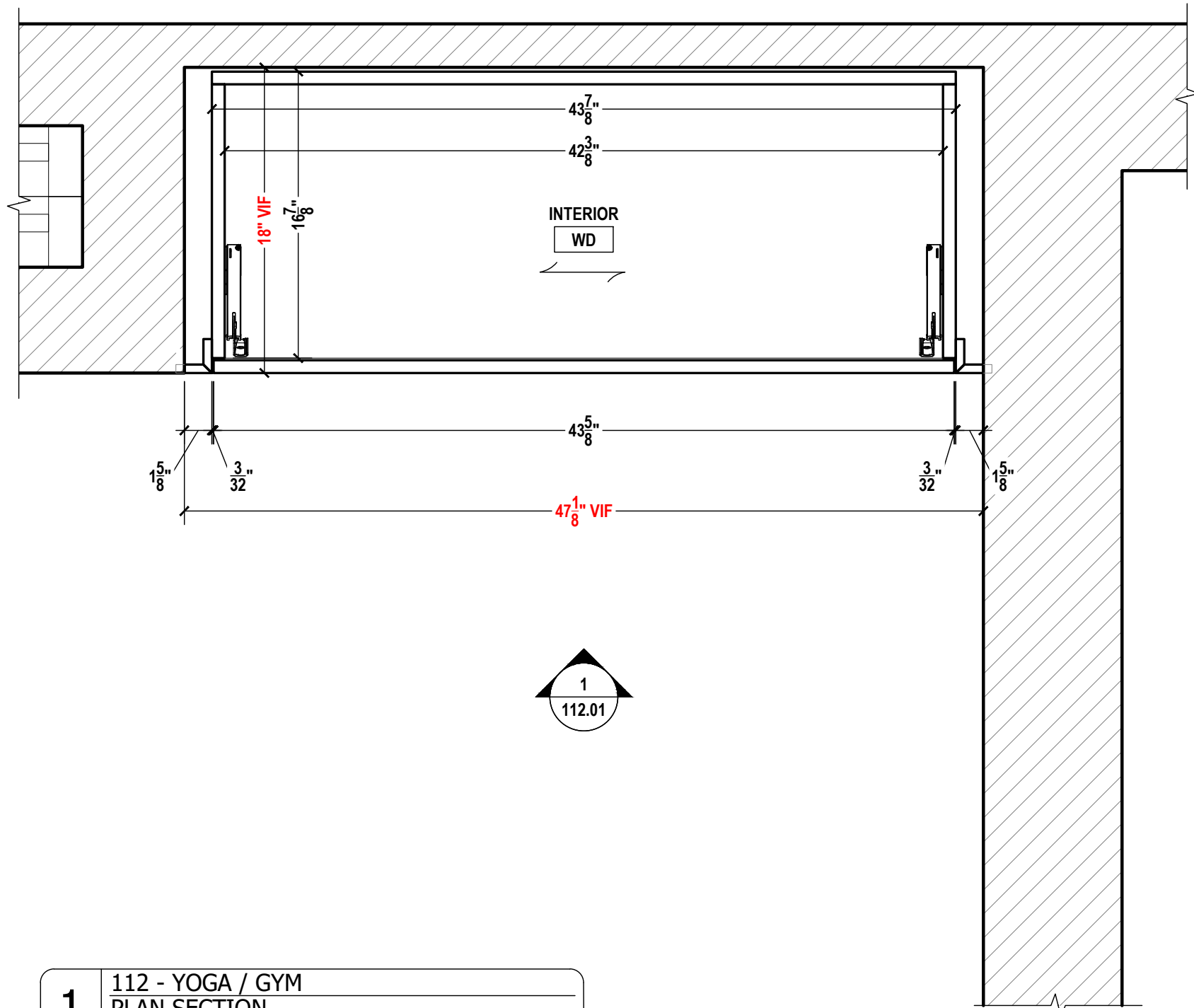
WOOD		
KEY	COLOR	GRAIN
WD7E	STAINED RIFT SAWN WHITE OAK	YES
INTERIOR FINISHES		
KEY	COLOR	GRAIN
WD	PREFINISHED MAPLE	YES

PM:	-
DRAWN BY:	TMS
DATE DRAWN:	10/11/2024
REVIEWED BY:	-

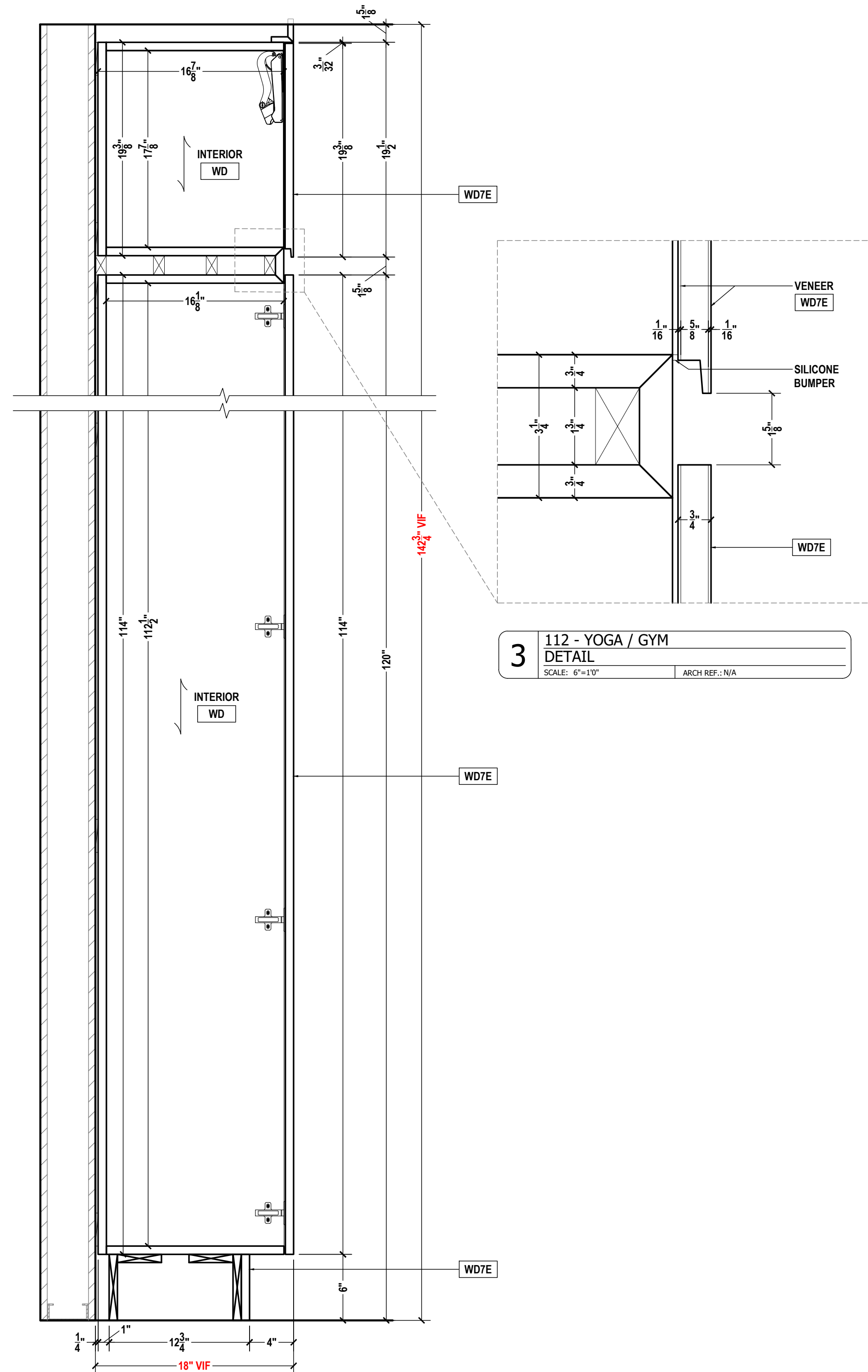
REVISIONS:

No.	DATE	DESCRIPTIONS	BY:
△	-	-	-
△	-	-	-
△	-	-	-
△	-	-	-
△	-	-	-
△	-	-	-
△	-	-	-
△	-	-	-

APPROVAL DATE	-
PLOT DATE	11/13/2024
PROJECT NUMBER	-----
ROOM NAME	112 - YOGA - GYM
SHEET NUMBER	112.01



1 112 - YOGA / GYM
 PLAN SECTION
 SCALE: 1-1/2"=1'-0" ARCH REF.: 1/A2.12



3 112 - YOGA / GYM
 DETAIL
 SCALE: 6"=1'0" ARCH REF.: N/A

2 112 - YOGA / GYM
 SECTION
 SCALE: 1-1/2"=1'-0" ARCH REF.: N/A

	QCP	YES <input type="checkbox"/>	NO <input checked="" type="checkbox"/>
	LEED	YES <input type="checkbox"/>	NO <input checked="" type="checkbox"/>
	FSC	YES <input type="checkbox"/>	NO <input checked="" type="checkbox"/>
	NAUF	YES <input type="checkbox"/>	NO <input checked="" type="checkbox"/>

FINISHES:

KEY	WOOD COLOR	GRAIN
WD7E	STAINED RIFT SAWN WHITE OAK	YES

KEY	INTERIOR FINISHES COLOR	GRAIN
WD	PREFINISHED MAPLE	YES

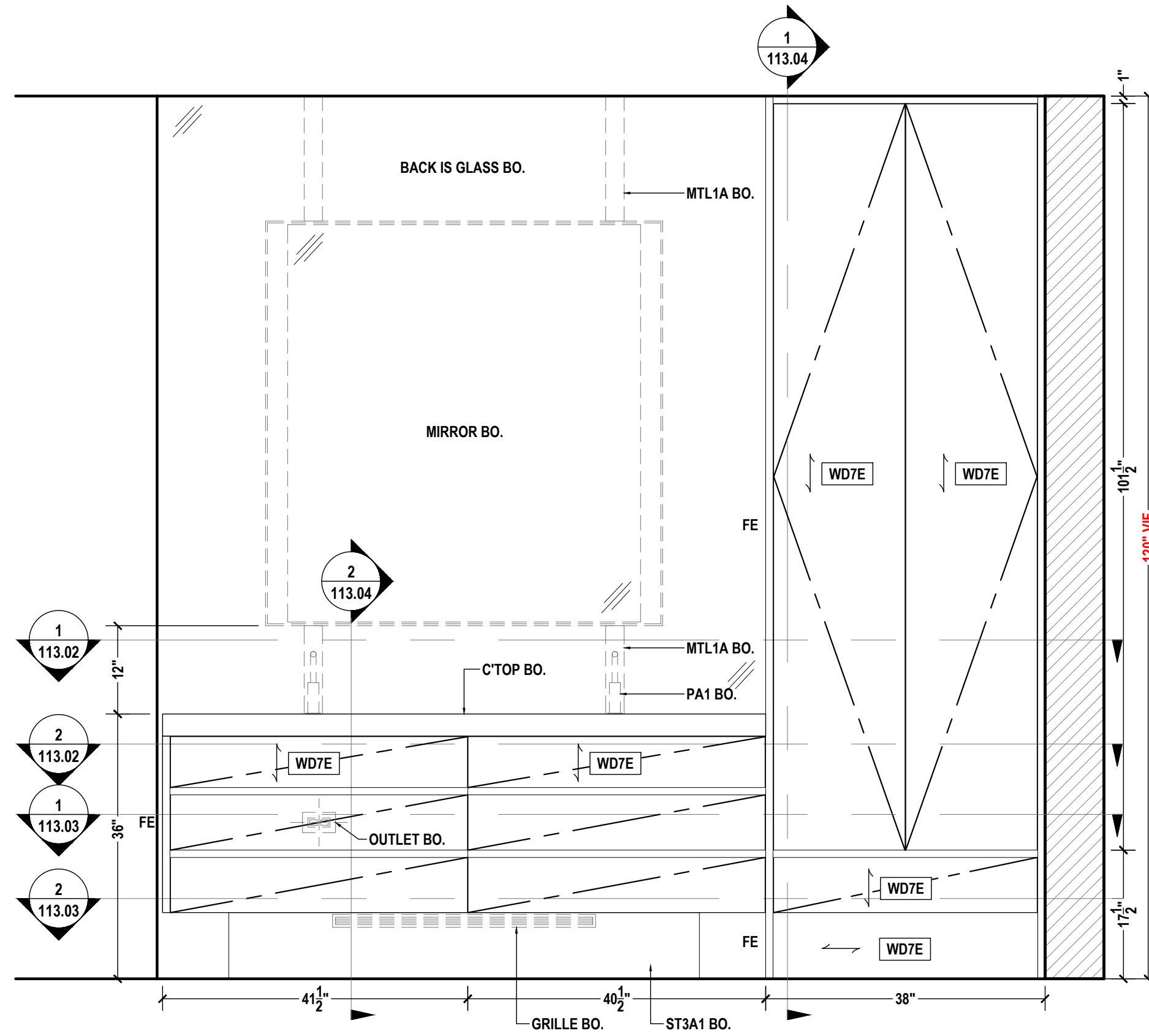
PM:	-
DRAWN BY:	TMS
DATE DRAWN:	10/11/2024
REVIEWED BY:	-

REVISIONS:

No.	DATE:	DESCRIPTIONS:	BY:
△	-	-	-
△	-	-	-
△	-	-	-
△	-	-	-
△	-	-	-
△	-	-	-
△	-	-	-
△	-	-	-

APPROVAL DATE	-
PLOT DATE	11/13/2024
PROJECT NUMBER	-----
ROOM NAME	112 - YOGA - GYM
SHEET NUMBER	112.02

**** NOTE TO ARCH AND G.C. ****
 REFERENCE RFI LIST ON SHEET 1CS.02
 PLEASE CONFIRM HOW WARDROBE
 CABINET WILL OPEN



1 113 - GUEST BATH
 ELEVATION
 SCALE: 3/4"=1'-0" ARCH REF.: 6/A5.06



QCP	YES <input type="checkbox"/>	NO <input checked="" type="checkbox"/>
LEED	YES <input type="checkbox"/>	NO <input checked="" type="checkbox"/>
FSC	YES <input type="checkbox"/>	NO <input checked="" type="checkbox"/>
NAUF	YES <input type="checkbox"/>	NO <input checked="" type="checkbox"/>

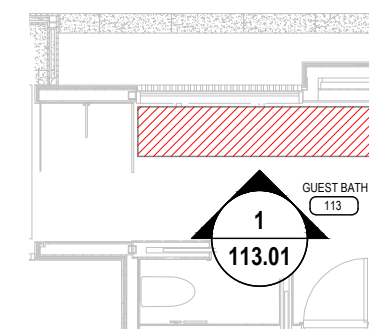
FINISHES:

WOOD		
KEY	COLOR	GRAIN
WD7E	STAINED RIFT SAWN WHITE OAK	YES
INTERIOR FINISHES		
KEY	COLOR	GRAIN
WD	PREFINISHED MAPLE	YES
SPECIALS		
KEY	COLOR	GRAIN
MTL2A	METAL TO MATCH SVB RAW WHITE BRONZE	NO

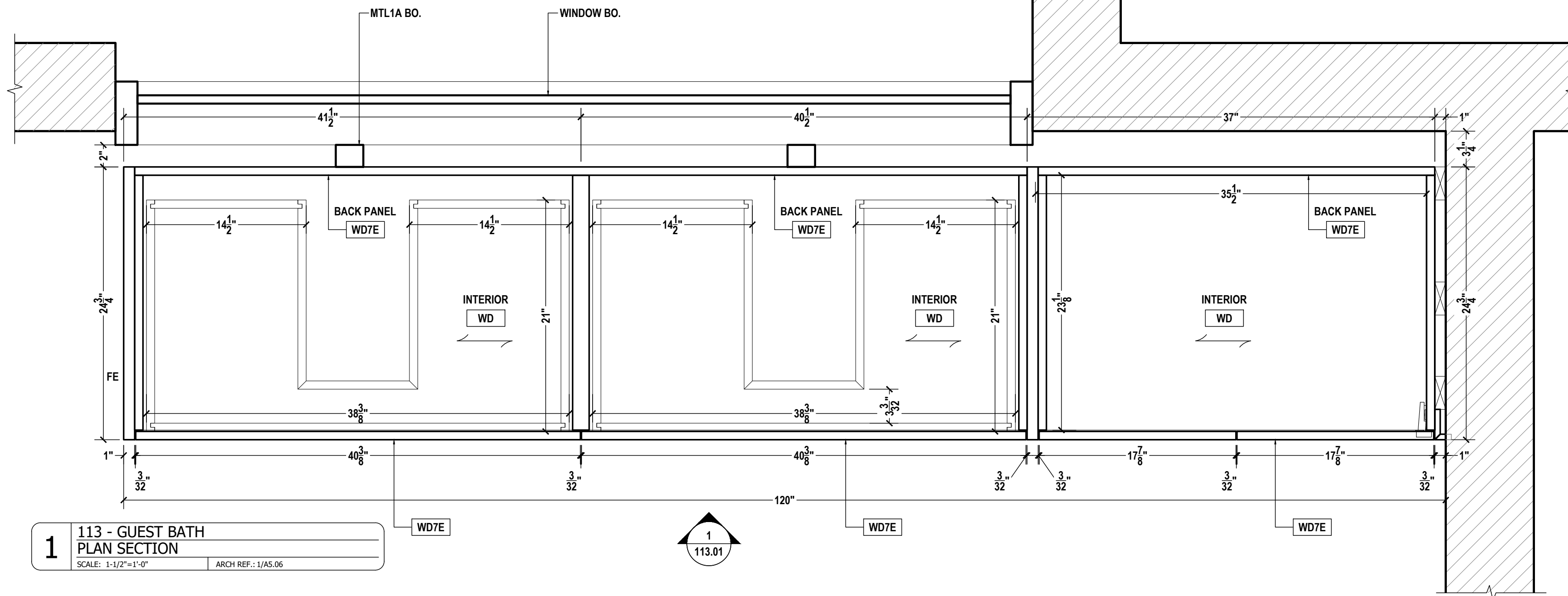
PM:	-
DRAWN BY:	TMS
DATE DRAWN:	10/11/2024
REVIEWED BY:	-

REVISIONS:

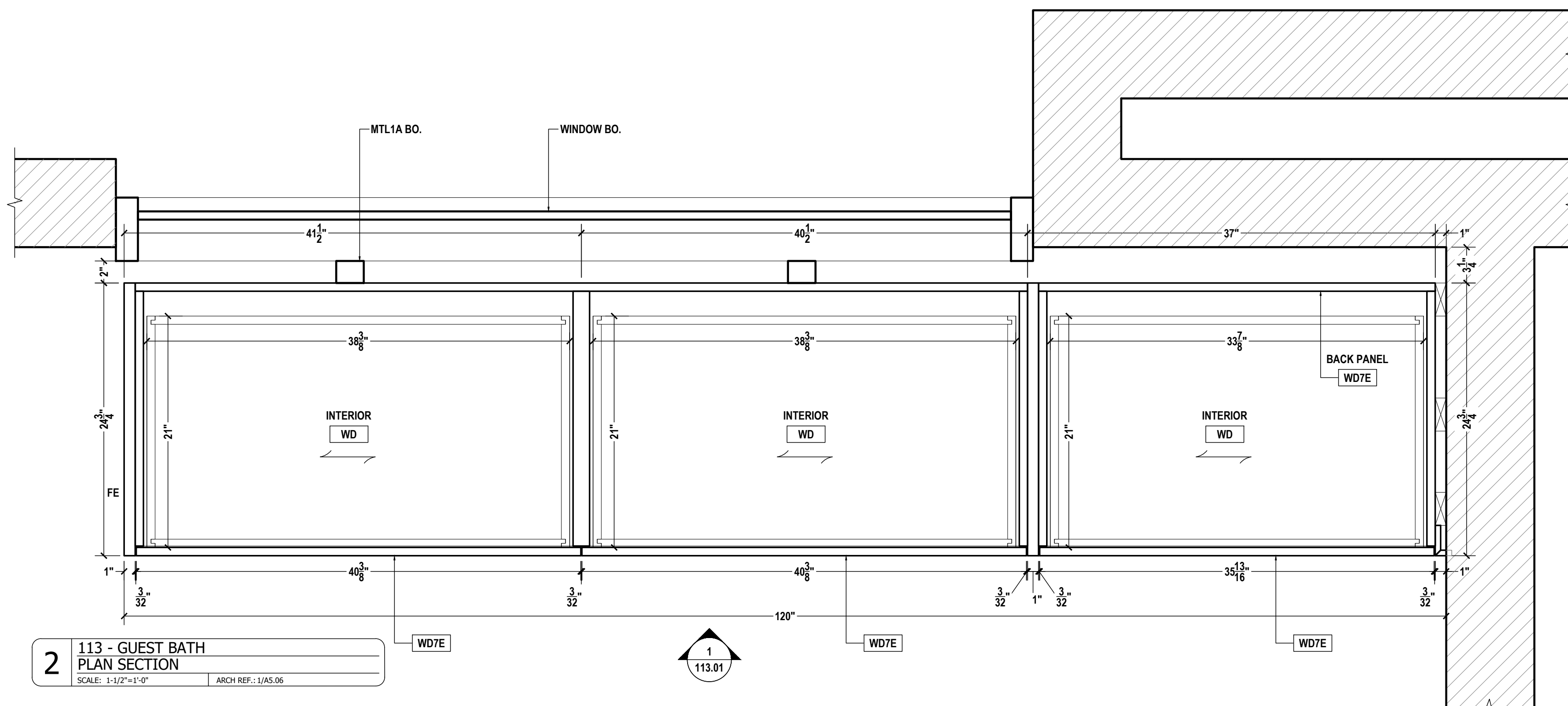
No.	DATE:	DESCRIPTIONS:	BY:
△	-	-	-
△	-	-	-
△	-	-	-
△	-	-	-
△	-	-	-
△	-	-	-
△	-	-	-
△	-	-	-



APPROVAL DATE	-
PLOT DATE	11/13/2024
PROJECT NUMBER	-----
ROOM NAME	113 - GUEST BATH
SHEET NUMBER	113.01



1 113 - GUEST BATH
 PLAN SECTION
 SCALE: 1-1/2"=1'-0" ARCH REF.: 1/A5.06



2 113 - GUEST BATH
 PLAN SECTION
 SCALE: 1-1/2"=1'-0" ARCH REF.: 1/A5.06



QCP	YES <input type="checkbox"/>	NO <input checked="" type="checkbox"/>
LEED	YES <input type="checkbox"/>	NO <input checked="" type="checkbox"/>
FSC	YES <input type="checkbox"/>	NO <input checked="" type="checkbox"/>
NAUF	YES <input type="checkbox"/>	NO <input checked="" type="checkbox"/>

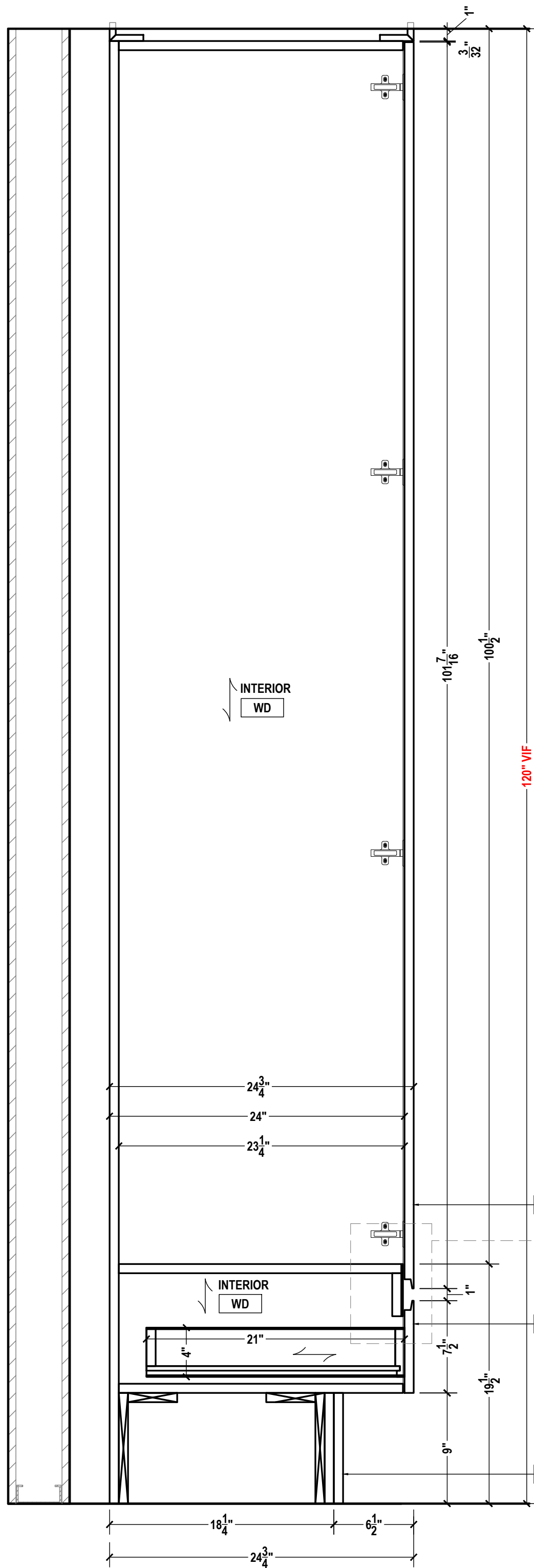
FINISHES:

KEY	WOOD COLOR	GRAIN
WD7E	STAINED RIFT SAWN WHITE OAK	YES
INTERIOR FINISHES		
KEY	COLOR	GRAIN
WD	PREFINISHED MAPLE	YES
SPECIALS		
KEY	COLOR	GRAIN
MTL2A	METAL TO MATCH SVB RAW WHITE BRONZE	NO

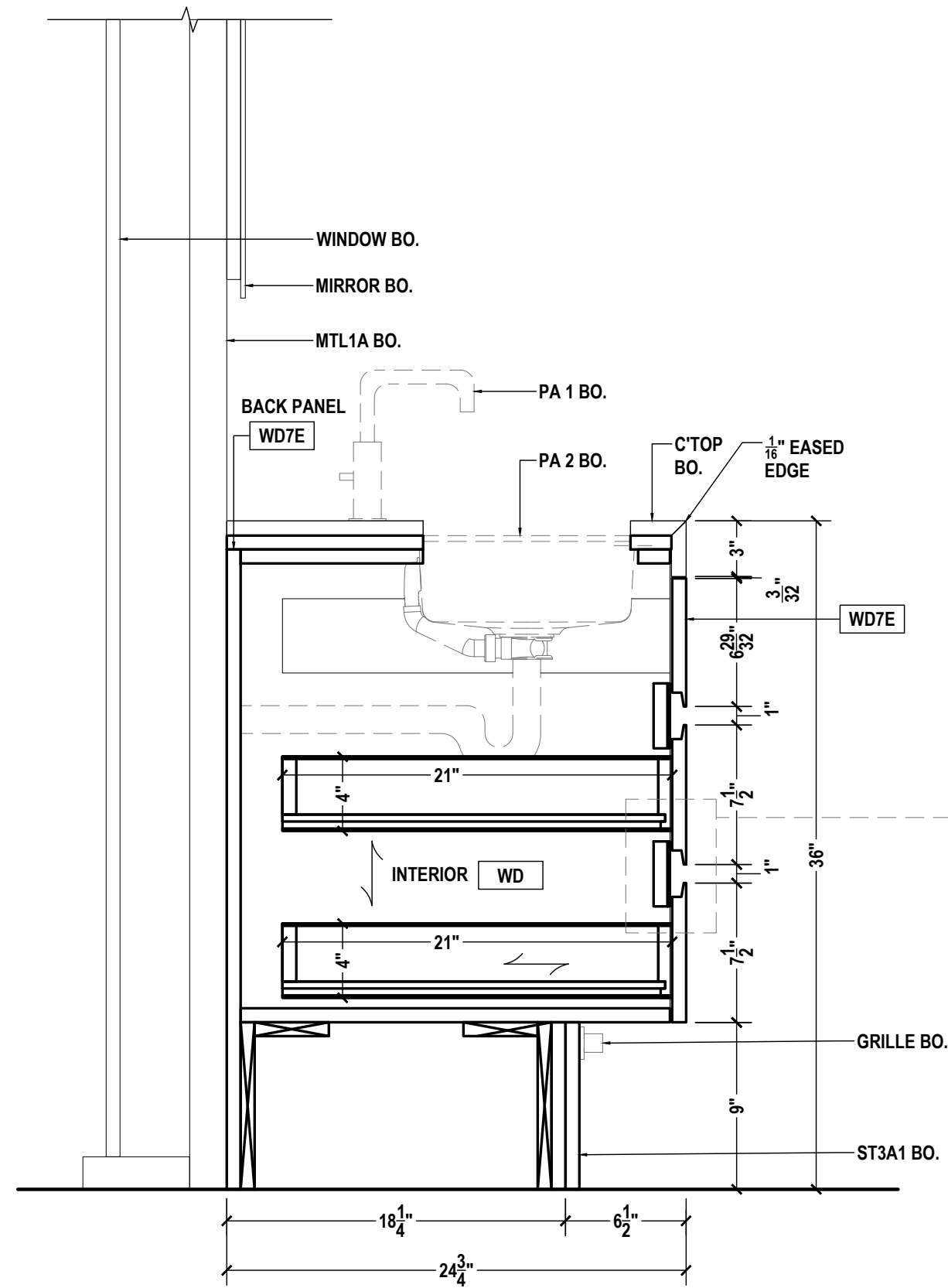
PM:	-
DRAWN BY:	TMS
DATE DRAWN:	10/11/2024
REVIEWED BY:	-

REVISIONS:			
No.	DATE	DESCRIPTIONS	BY:
△	-	-	-
△	-	-	-
△	-	-	-
△	-	-	-
△	-	-	-
△	-	-	-
△	-	-	-
△	-	-	-

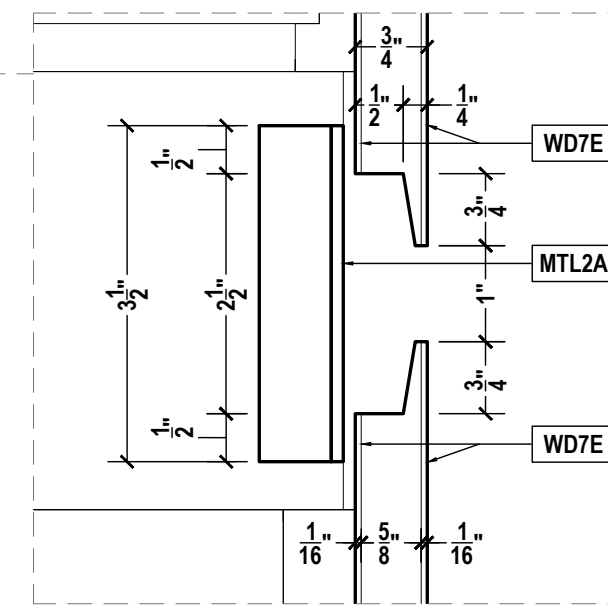
APPROVAL DATE	-
PLOT DATE	11/13/2024
PROJECT NUMBER	-----
ROOM NAME	113 - GUEST BATH
SHEET NUMBER	113.03



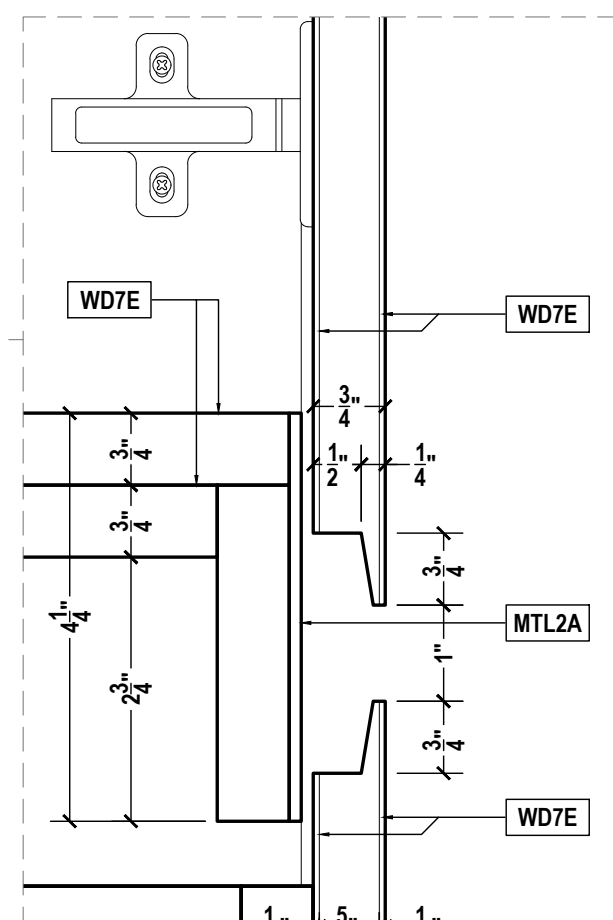
1 113 - GUEST BATH SECTION
SCALE: 1-1/2"=1'-0" ARCH REF.: N/A



2 113 - GUEST BATH SECTION
SCALE: 1-1/2"=1'-0" ARCH REF.: 6/A9.02



4 113 - GUEST BATH DETAIL
SCALE: 6"=1'0" ARCH REF.: 2/A9.20



3 113 - GUEST BATH DETAIL
SCALE: 6"=1'0" ARCH REF.: N/A



QCP	YES <input type="checkbox"/>	NO <input checked="" type="checkbox"/>
LEED	YES <input type="checkbox"/>	NO <input checked="" type="checkbox"/>
FSC	YES <input type="checkbox"/>	NO <input checked="" type="checkbox"/>
NAUF	YES <input type="checkbox"/>	NO <input checked="" type="checkbox"/>

FINISHES:

KEY	WOOD COLOR	GRAIN
WD7E	STAINED RIPT SAWN WHITE OAK	YES
INTERIOR FINISHES		
KEY	COLOR	GRAIN
WD	PREFINISHED MAPLE	YES
SPECIALS		
KEY	COLOR	GRAIN
MTL2A	METAL TO MATCH SVB RAW WHITE BRONZE	NO

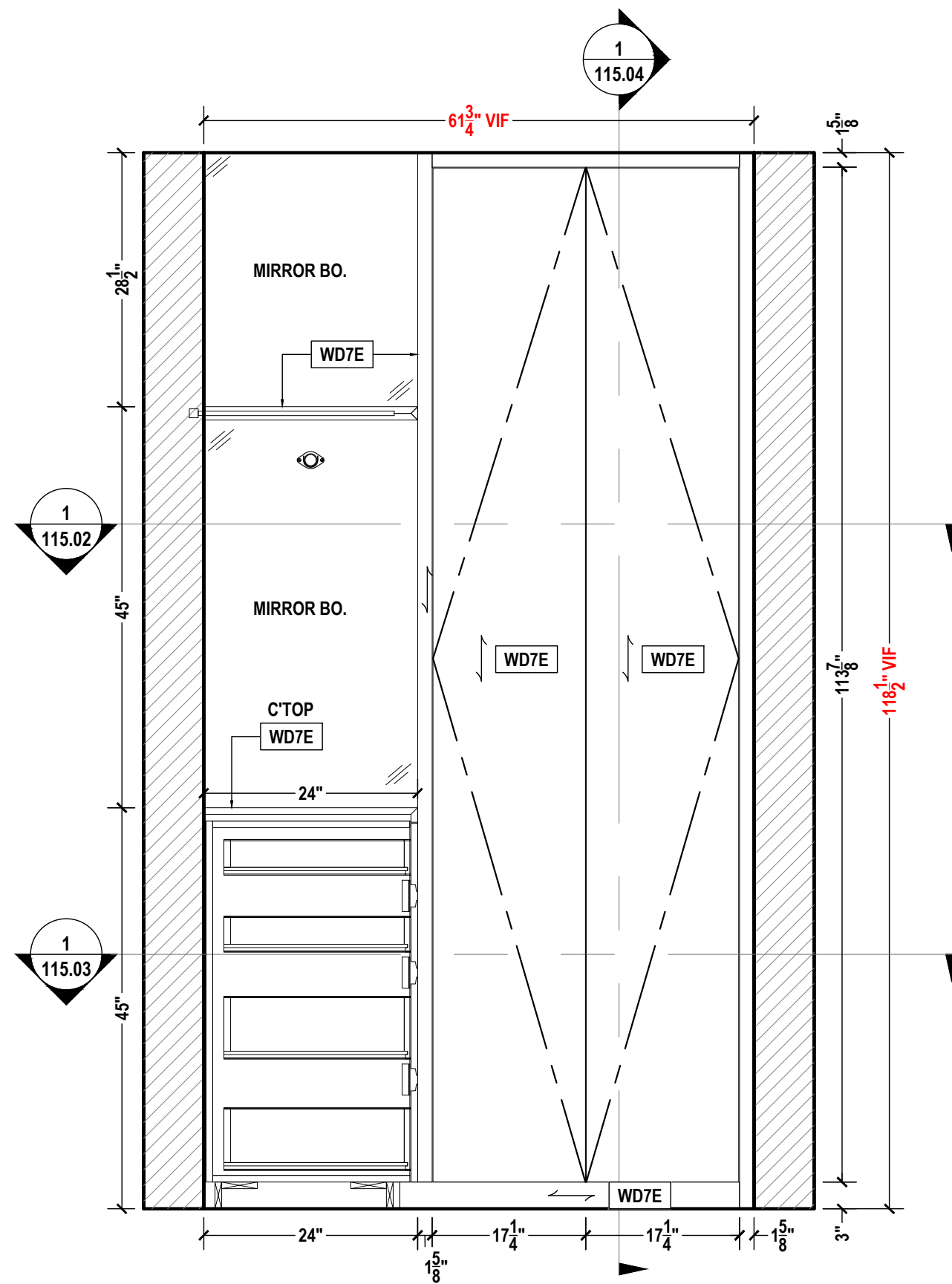
PM:	-
DRAWN BY:	TMS
DATE DRAWN:	10/11/2024
REVIEWED BY:	-

REVISIONS:

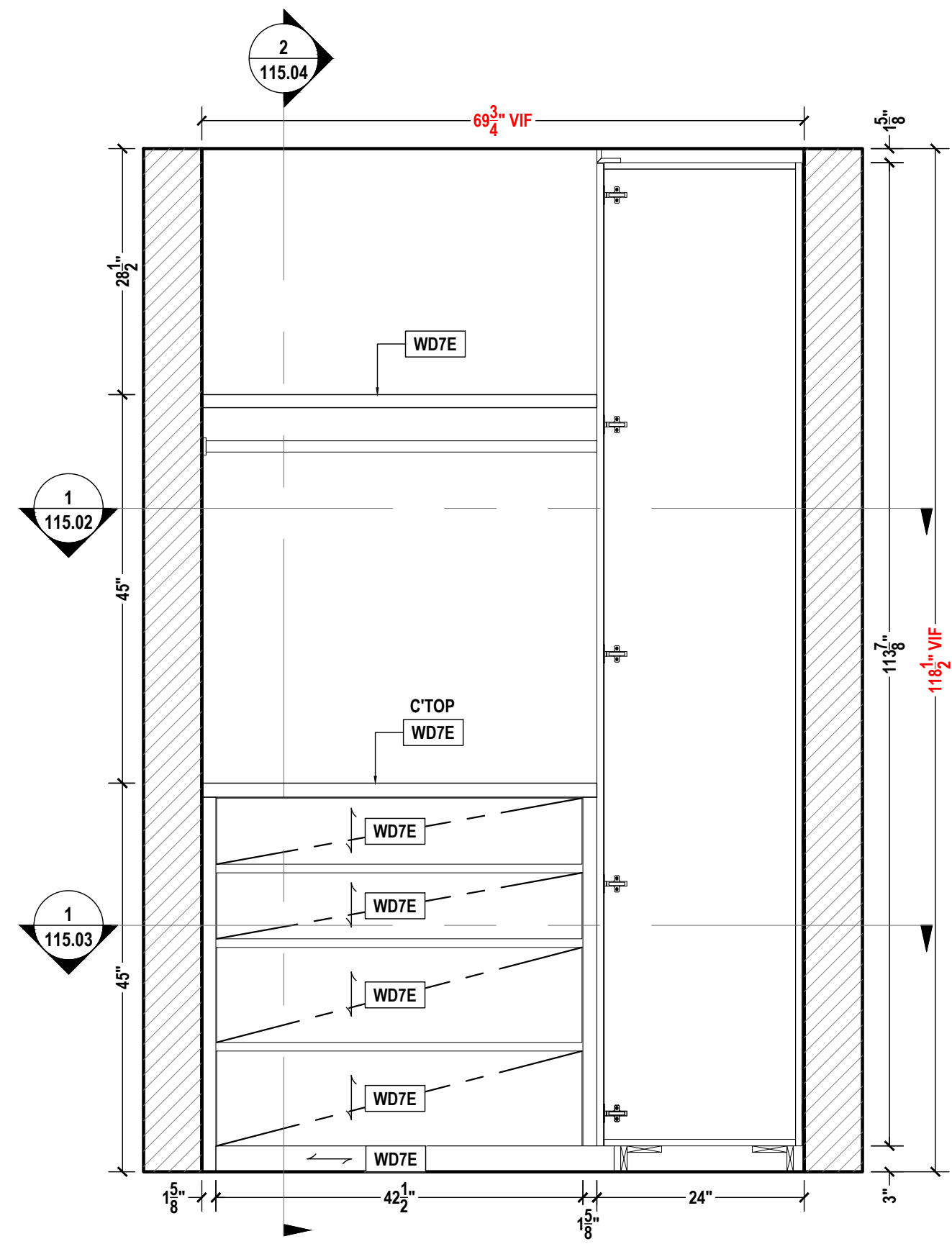
No.	DATE:	DESCRIPTIONS:	BY:
△	-	-	-
△	-	-	-
△	-	-	-
△	-	-	-
△	-	-	-
△	-	-	-
△	-	-	-

APPROVAL DATE	-
PLOT DATE	11/13/2024
PROJECT NUMBER	-----
ROOM NAME	113 - GUEST BATH
SHEET NUMBER	113.04

**** NOTE TO ARCH AND G.C. ****
 REFERENCE RFI LIST ON SHEET 1CS.02
 PLEASE CONFIRM HOW WARDROBE
 CABINET WILL OPEN



1 115 - CLOSET 4
 ELEVATION
 SCALE: 3/4"=1'-0" ARCH REF.: 7/A5.13



2 115 - CLOSET 4
 ELEVATION
 SCALE: 3/4"=1'-0" ARCH REF.: 6/A5.13

	QCP	YES <input type="checkbox"/>	NO <input checked="" type="checkbox"/>
	LEED	YES <input type="checkbox"/>	NO <input checked="" type="checkbox"/>
	FSC	YES <input type="checkbox"/>	NO <input checked="" type="checkbox"/>
	NAUF	YES <input type="checkbox"/>	NO <input checked="" type="checkbox"/>

FINISHES:

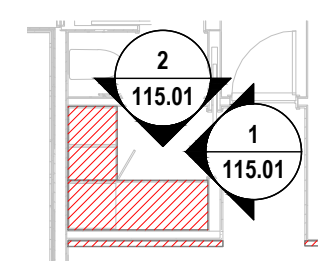
KEY	WOOD COLOR	GRAIN
WD7E	STAINED RIPT SAWN WHITE OAK	YES
KEY	INTERIOR FINISHES COLOR	GRAIN
WD	PREFINISHED MAPLE	YES
KEY	SPECIALS COLOR	GRAIN
MTL2A	METAL TO MATCH SVB RAW WHITE BRONZE	NO

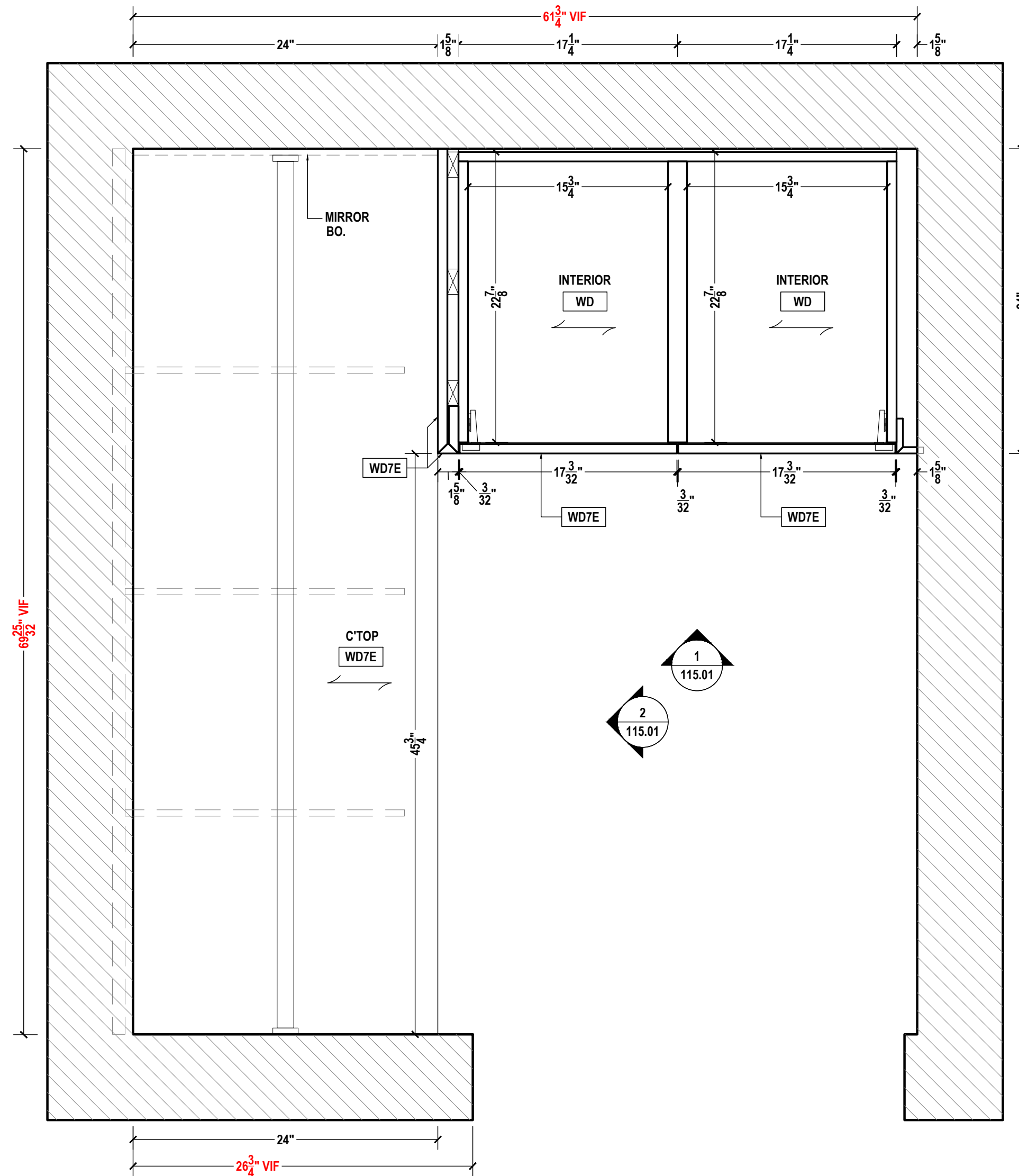
PM:	-
DRAWN BY:	TMS
DATE DRAWN:	10/11/2024
REVIEWED BY:	-

REVISIONS:

No.	DATE	DESCRIPTIONS	BY:
△	-	-	-
△	-	-	-
△	-	-	-
△	-	-	-
△	-	-	-
△	-	-	-
△	-	-	-
△	-	-	-

APPROVAL DATE	-
PLOT DATE	11/13/2024
PROJECT NUMBER	-----
ROOM NAME	115 - CLOSET
SHEET NUMBER	115.01





1 115 - CLOSET 4
 PLAN SECTION
 SCALE: 1-1/2"=1'-0" ARCH REF.: 1/A2.13



QCP	YES <input type="checkbox"/>	NO <input checked="" type="checkbox"/>
LEED	YES <input type="checkbox"/>	NO <input checked="" type="checkbox"/>
FSC	YES <input type="checkbox"/>	NO <input checked="" type="checkbox"/>
NAUF	YES <input type="checkbox"/>	NO <input checked="" type="checkbox"/>

FINISHES:

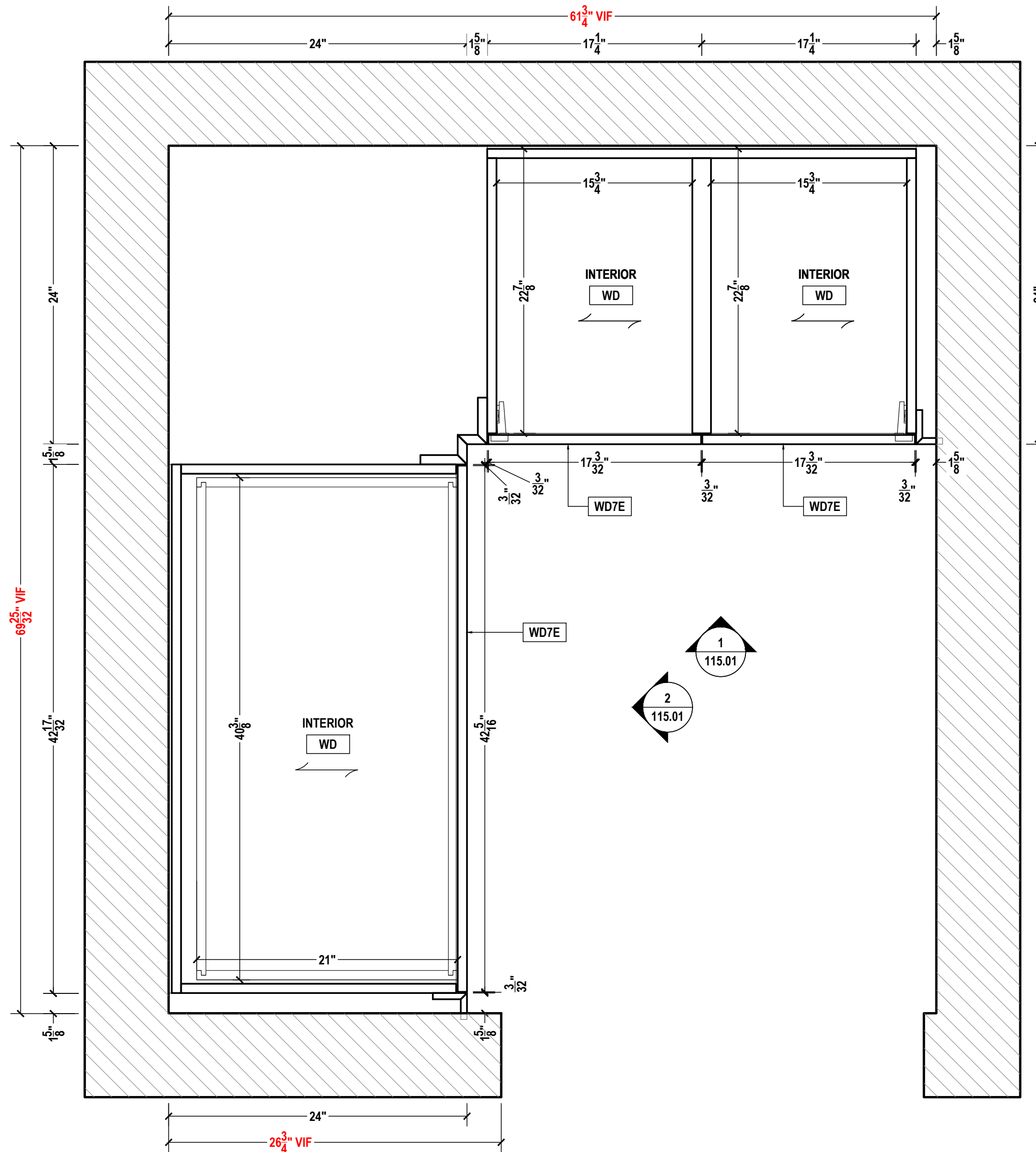
WOOD		GRAIN
KEY	COLOR	YES
WD7E	STAINED RIFT SAWN WHITE OAK	YES
INTERIOR FINISHES		GRAIN
KEY	COLOR	YES
WD	PREFINISHED MAPLE	YES
SPECIALS		GRAIN
KEY	COLOR	YES
MTL2A	METAL TO MATCH SVB RAW WHITE BRONZE	NO

PM:	-
DRAWN BY:	TMS
DATE DRAWN:	10/11/2024
REVIEWED BY:	-

REVISIONS:

No.	DATE:	DESCRIPTIONS:	BY:
△	-	-	-
△	-	-	-
△	-	-	-
△	-	-	-
△	-	-	-
△	-	-	-
△	-	-	-
△	-	-	-

APPROVAL DATE	-
PLOT DATE	11/13/2024
PROJECT NUMBER	-----
ROOM NAME	115 - CLOSET
SHEET NUMBER	115.02



1 115 - CLOSET 4
 PLAN SECTION
 SCALE: 1-1/2"=1'-0" ARCH REF.: N/A



QCP	YES <input type="checkbox"/>	NO <input checked="" type="checkbox"/>
LEED	YES <input type="checkbox"/>	NO <input checked="" type="checkbox"/>
FSC	YES <input type="checkbox"/>	NO <input checked="" type="checkbox"/>
NAUF	YES <input type="checkbox"/>	NO <input checked="" type="checkbox"/>

FINISHES:

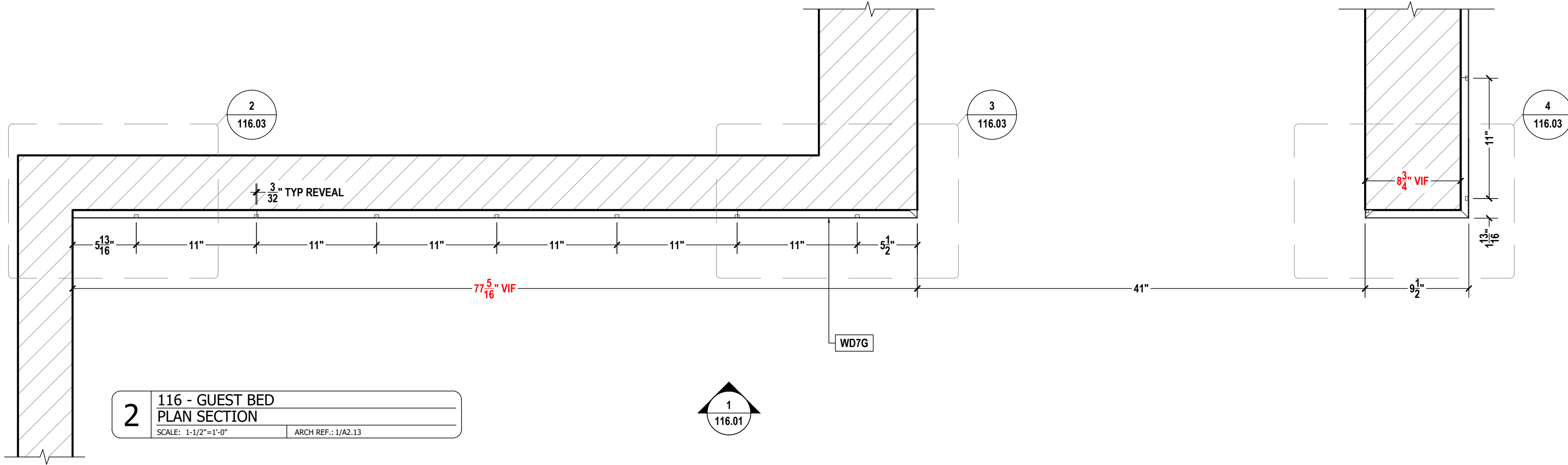
WOOD		GRAIN
KEY	COLOR	
WD7E	STAINED RIFT SAWN WHITE OAK	YES
INTERIOR FINISHES		GRAIN
KEY	COLOR	
WD	PREFINISHED MAPLE	YES
SPECIALS		GRAIN
KEY	COLOR	
MTL2A	METAL TO MATCH SVB RAW WHITE BRONZE	NO

PM:	-
DRAWN BY:	TMS
DATE DRAWN:	10/11/2024
REVIEWED BY:	-

REVISIONS:

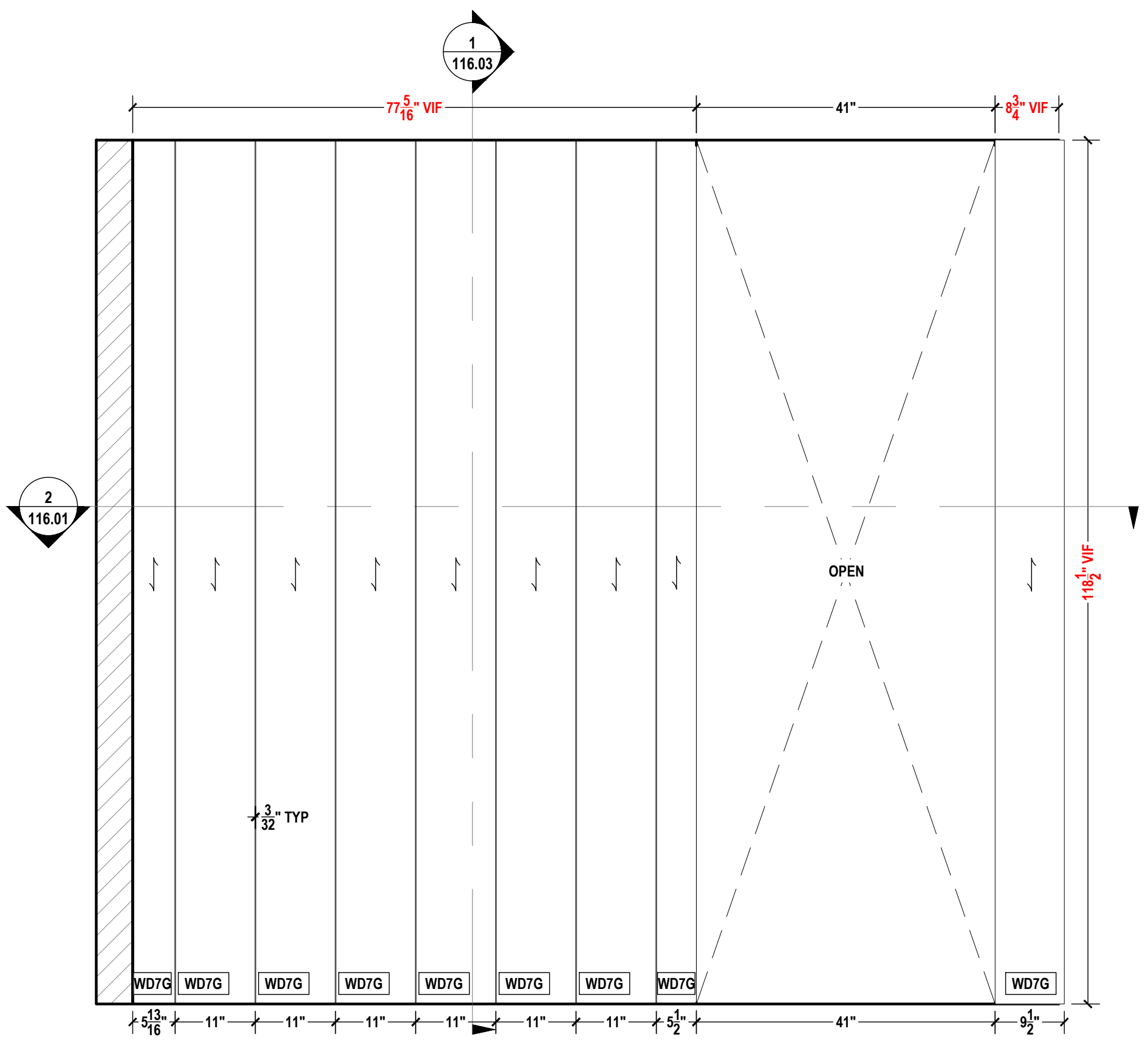
No.	DATE:	DESCRIPTIONS:	BY:
△	-	-	-
△	-	-	-
△	-	-	-
△	-	-	-
△	-	-	-
△	-	-	-
△	-	-	-
△	-	-	-

APPROVAL DATE	-
PLOT DATE	11/13/2024
PROJECT NUMBER	-----
ROOM NAME	115 - CLOSET
SHEET NUMBER	115.03

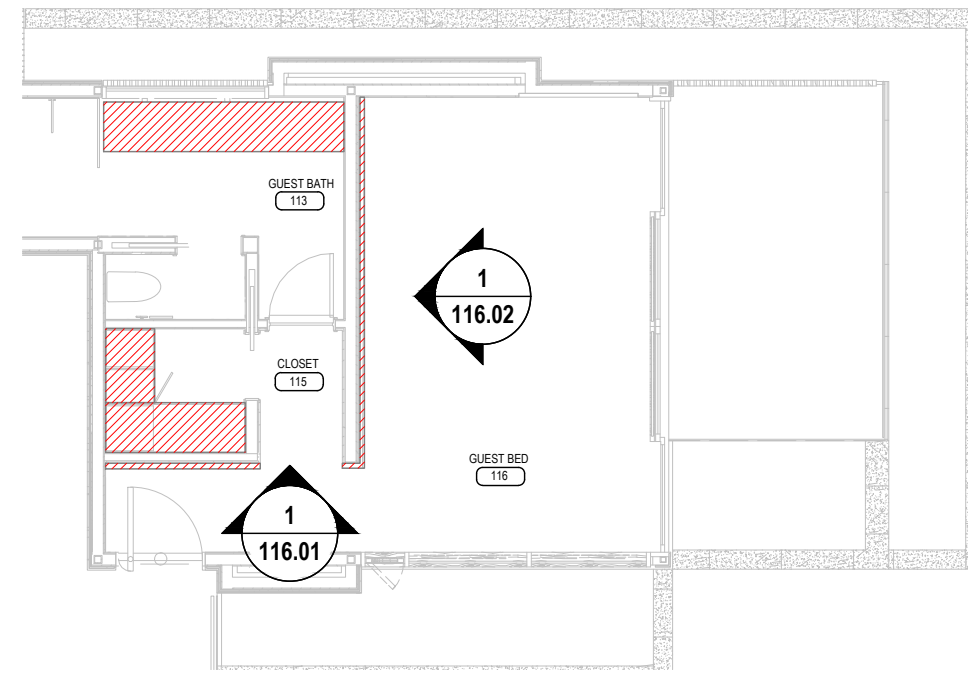


2 116 - GUEST BED
PLAN SECTION
SCALE: 1-1/2"=1'-0" ARCH REF.: 1/A2.13

1
116.01



1 116 - GUEST BED
ELEVATION
SCALE: 3/4"=1'-0" ARCH REF.: 3/A5.13



	QCP	YES <input type="checkbox"/>	NO <input checked="" type="checkbox"/>
	LEED	YES <input type="checkbox"/>	NO <input checked="" type="checkbox"/>
	FSC	YES <input type="checkbox"/>	NO <input checked="" type="checkbox"/>
	NAUF	YES <input type="checkbox"/>	NO <input checked="" type="checkbox"/>

FINISHES:

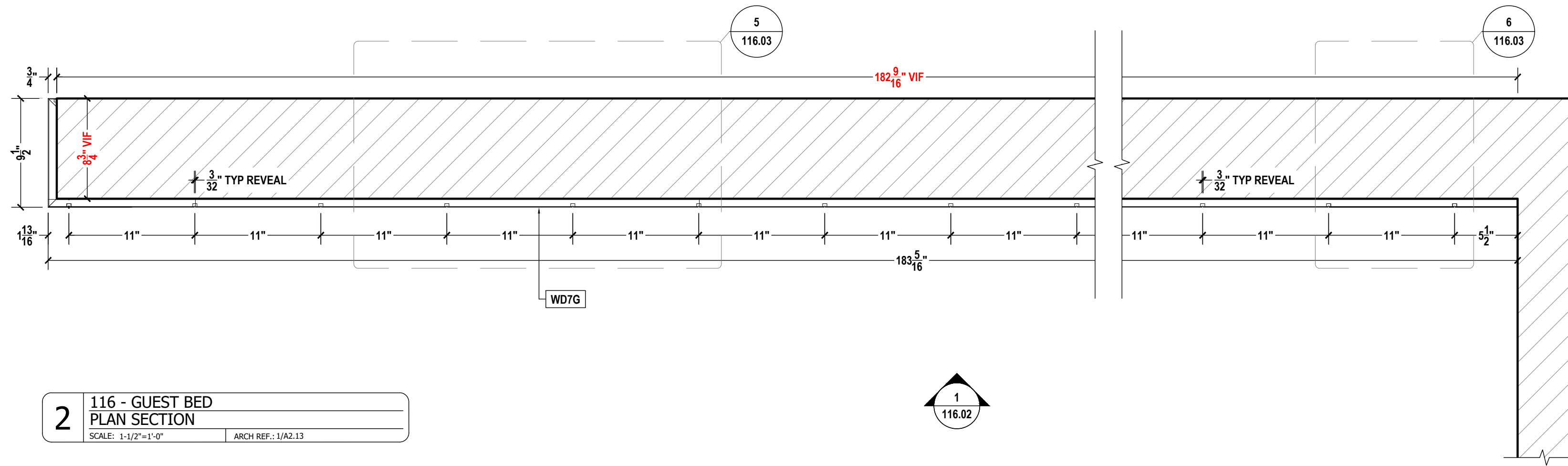
KEY	WOOD	COLOR	GRAIN
WD7G	3" X 16" OAK VENEER	T&G PANELING	YES

PM:	-
DRAWN BY:	TMS
DATE DRAWN:	10/11/2024
REVIEWED BY:	-

REVISIONS:

No.	DATE	DESCRIPTIONS	BY:
△	-	-	-
△	-	-	-
△	-	-	-
△	-	-	-
△	-	-	-
△	-	-	-
△	-	-	-
△	-	-	-

APPROVAL DATE	-
PLOT DATE	11/13/2024
PROJECT NUMBER	-----
ROOM NAME	116 - GUEST BED
SHEET NUMBER	116.01



2 116 - GUEST BED
 PLAN SECTION
 SCALE: 1-1/2"=1'-0" ARCH REF.: 1/A2.13



QCP	YES <input type="checkbox"/>	NO <input checked="" type="checkbox"/>
LEED	YES <input type="checkbox"/>	NO <input checked="" type="checkbox"/>
FSC	YES <input type="checkbox"/>	NO <input checked="" type="checkbox"/>
NAUF	YES <input type="checkbox"/>	NO <input checked="" type="checkbox"/>

FINISHES:

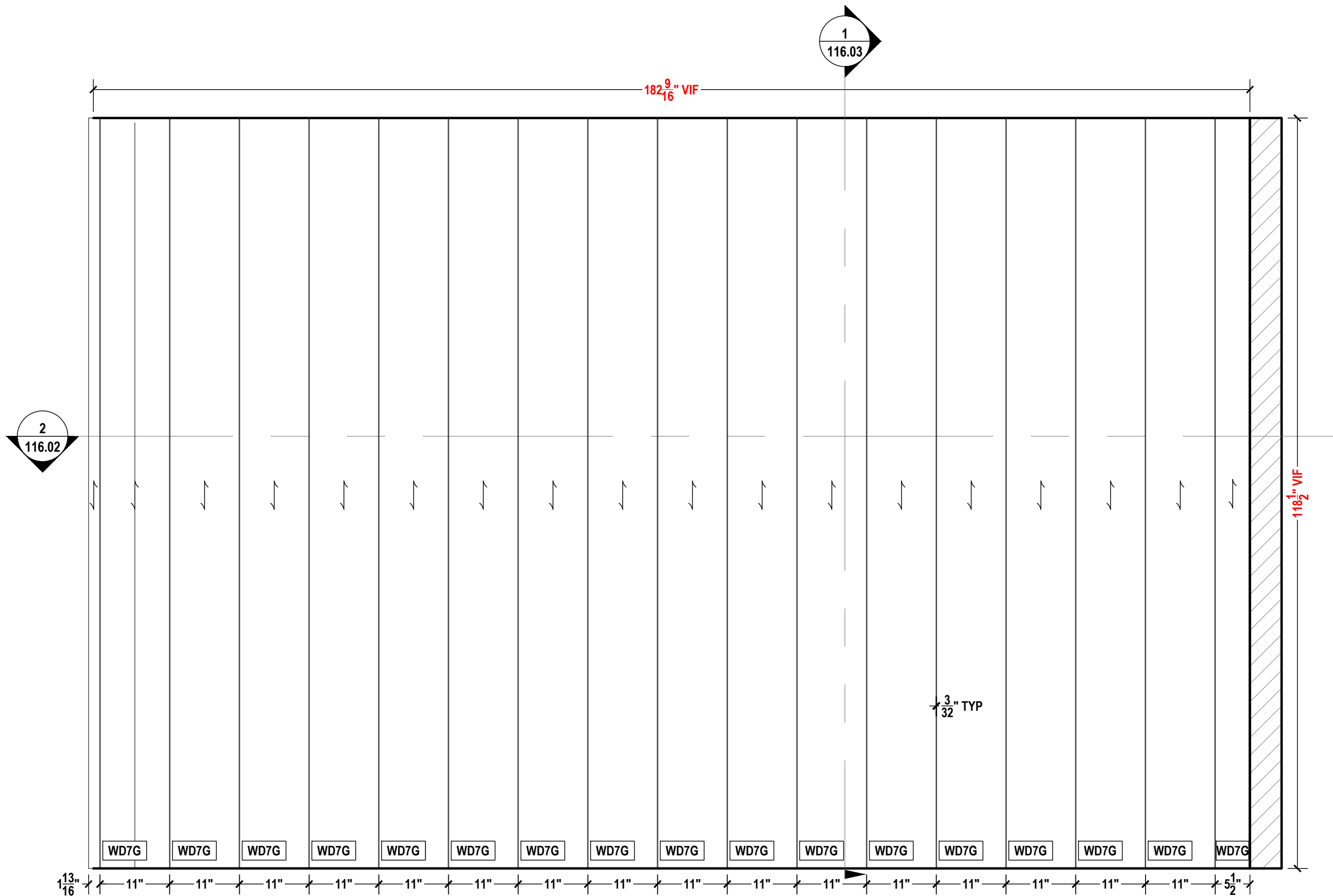
KEY	WOOD	
	COLOR	GRAIN
WD7G	3" X 16" OAK VENEER T&G PANELING	YES

PM:	-
DRAWN BY:	TMS
DATE DRAWN:	10/11/2024
REVIEWED BY:	-

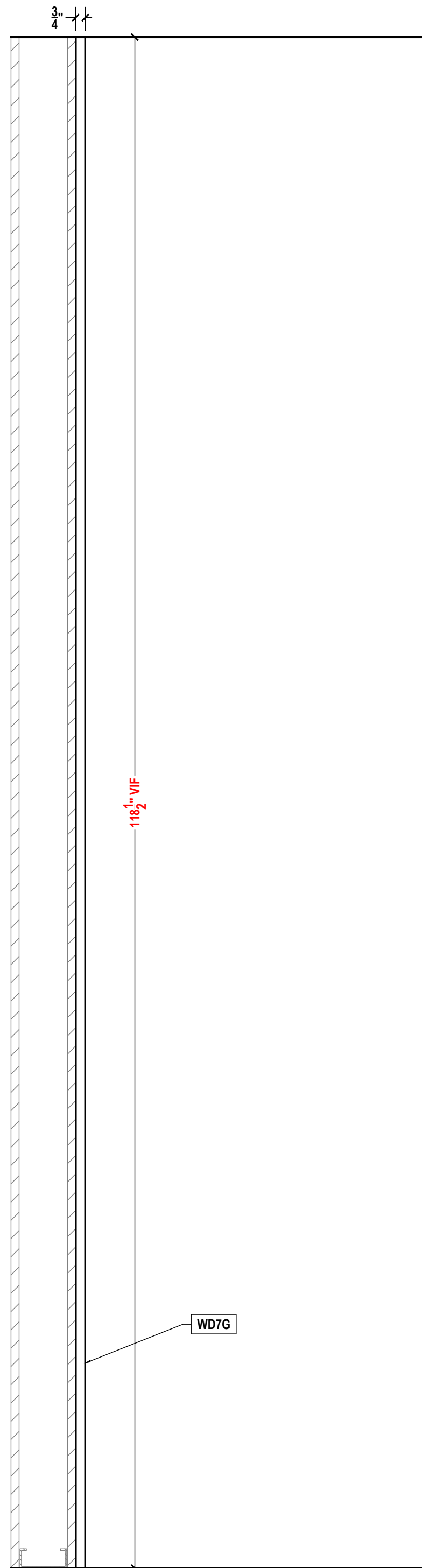
REVISIONS:

No.	DATE	DESCRIPTIONS	BY:
△	-	-	-
△	-	-	-
△	-	-	-
△	-	-	-
△	-	-	-
△	-	-	-
△	-	-	-
△	-	-	-

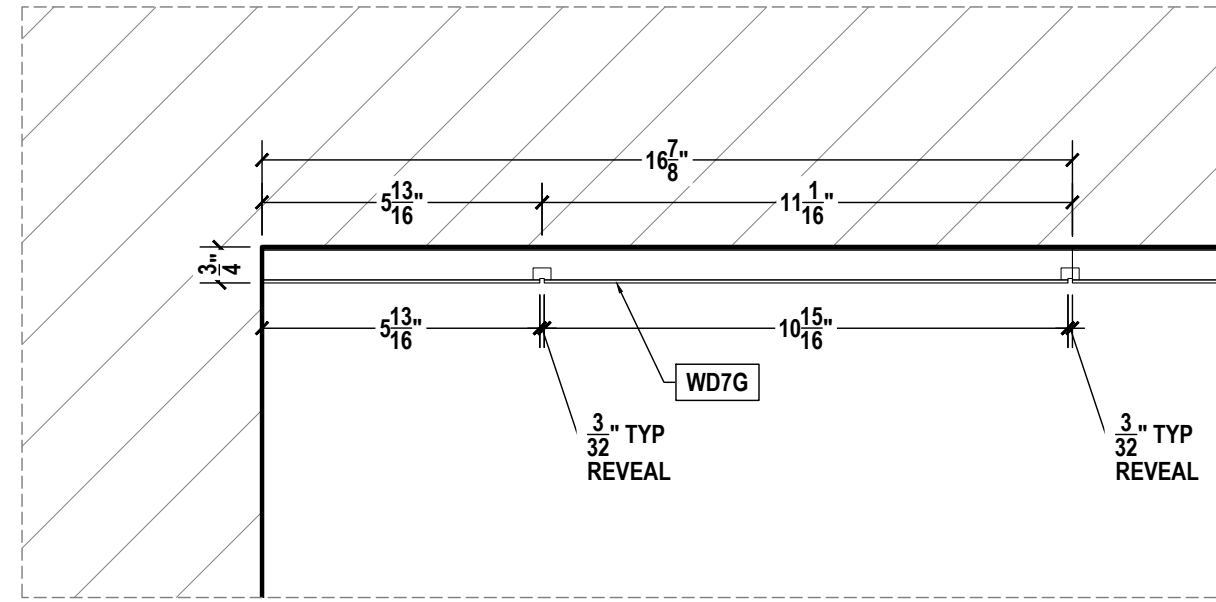
APPROVAL DATE	-
PLOT DATE	11/13/2024
PROJECT NUMBER	-----
ROOM NAME	116 - GUEST BED
SHEET NUMBER	116.02



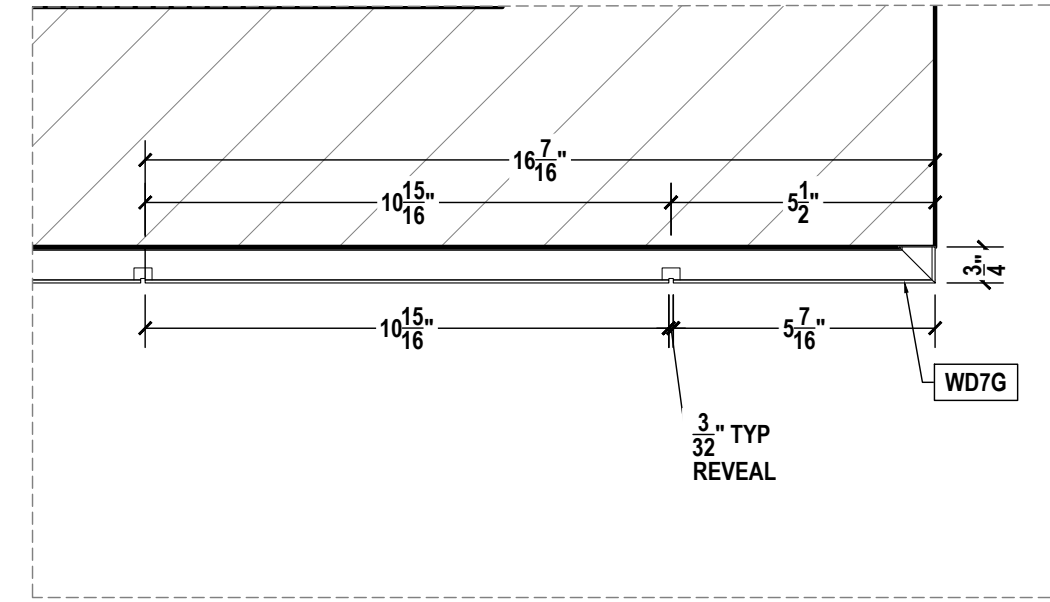
1 116 - GUEST BED
 ELEVATION
 SCALE: 3/4"=1'-0" ARCH REF.: 2/A5.13



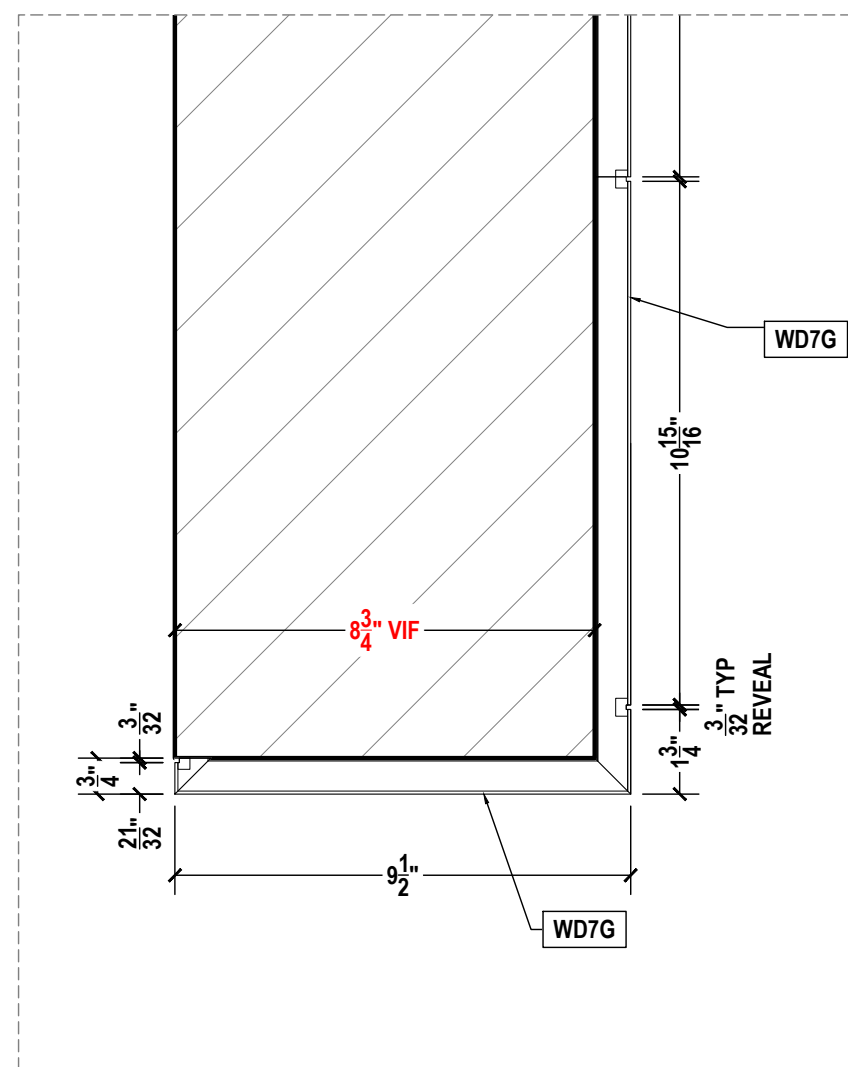
1 116 - GUEST BED
SECTION
SCALE: 1-1/2"=1'-0" ARCH REF.: N/A



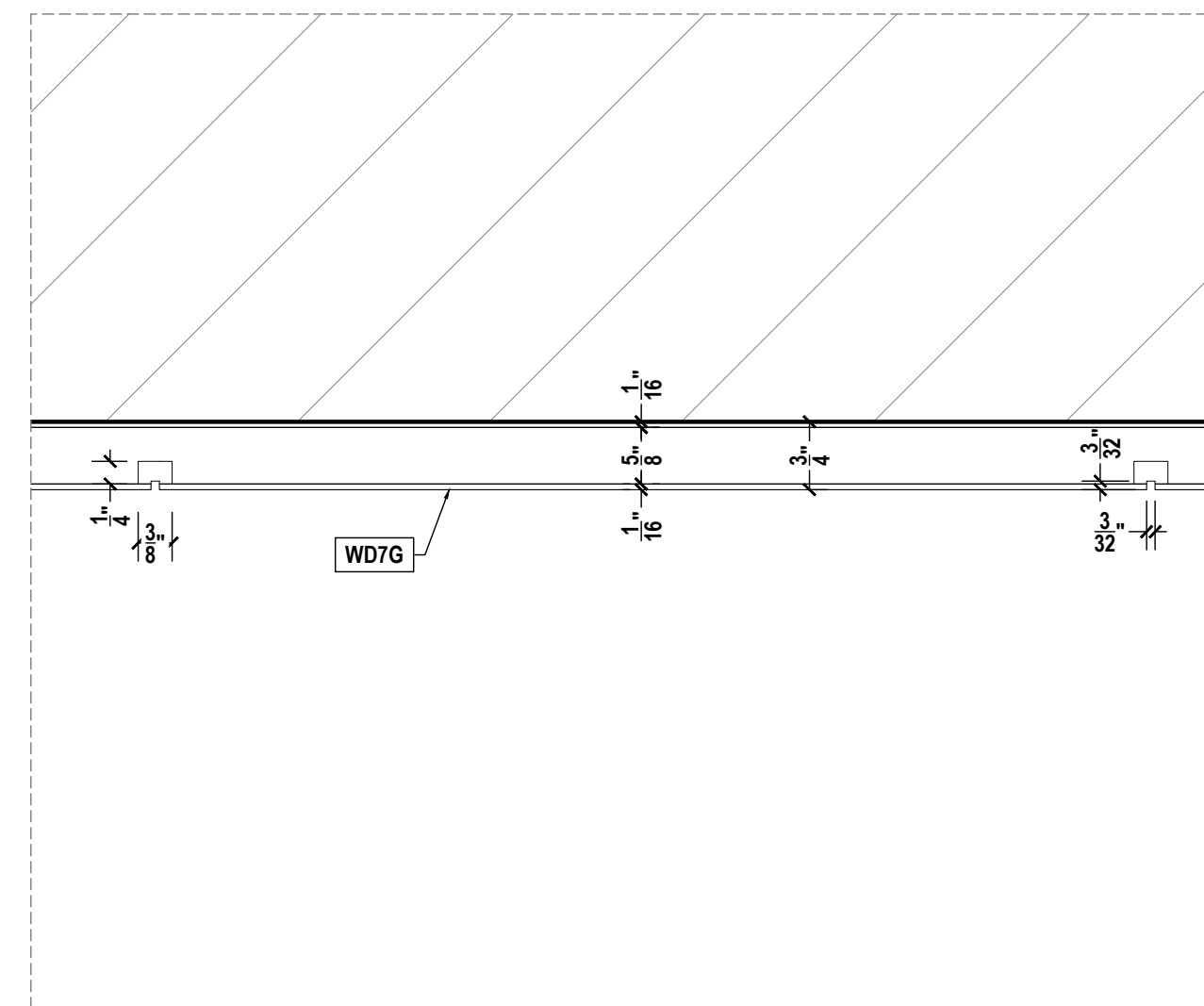
2 116 - GUEST BED
DETAIL
SCALE: 3"=1'0" ARCH REF.: N/A



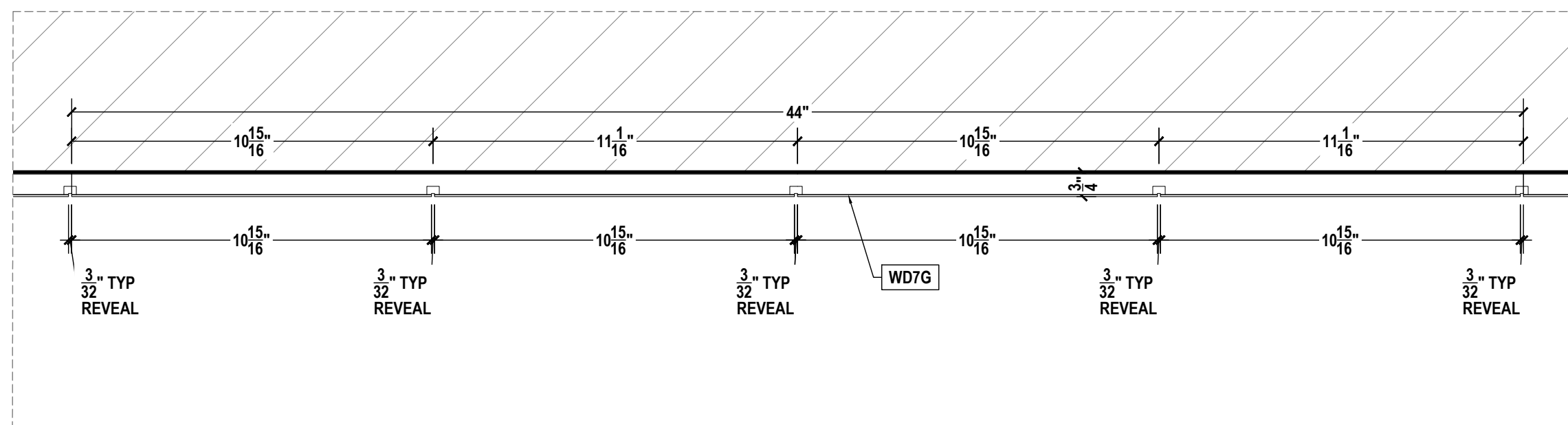
3 116 - GUEST BED
DETAIL
SCALE: 3"=1'0" ARCH REF.: N/A



4 116 - GUEST BED
DETAIL
SCALE: 3"=1'0" ARCH REF.: N/A



6 116 - GUEST BED
DETAIL
SCALE: 6"=1'0" ARCH REF.: N/A



5 116 - GUEST BED
DETAIL
SCALE: 3"=1'0" ARCH REF.: N/A



QCP	YES <input type="checkbox"/>	NO <input checked="" type="checkbox"/>
LEED	YES <input type="checkbox"/>	NO <input checked="" type="checkbox"/>
FSC	YES <input type="checkbox"/>	NO <input checked="" type="checkbox"/>
NAUF	YES <input type="checkbox"/>	NO <input checked="" type="checkbox"/>

FINISHES:

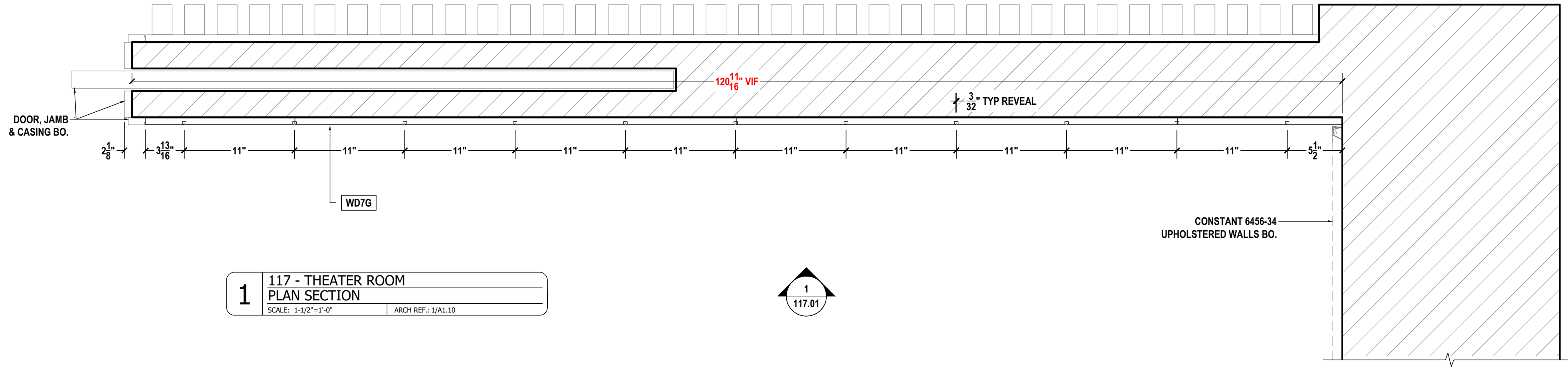
KEY	WOOD	
	COLOR	GRAIN
WD7G	3" X 16" OAK VENEER T&G PANELING	YES

PM:	-
DRAWN BY:	TMS
DATE DRAWN:	10/11/2024
REVIEWED BY:	-

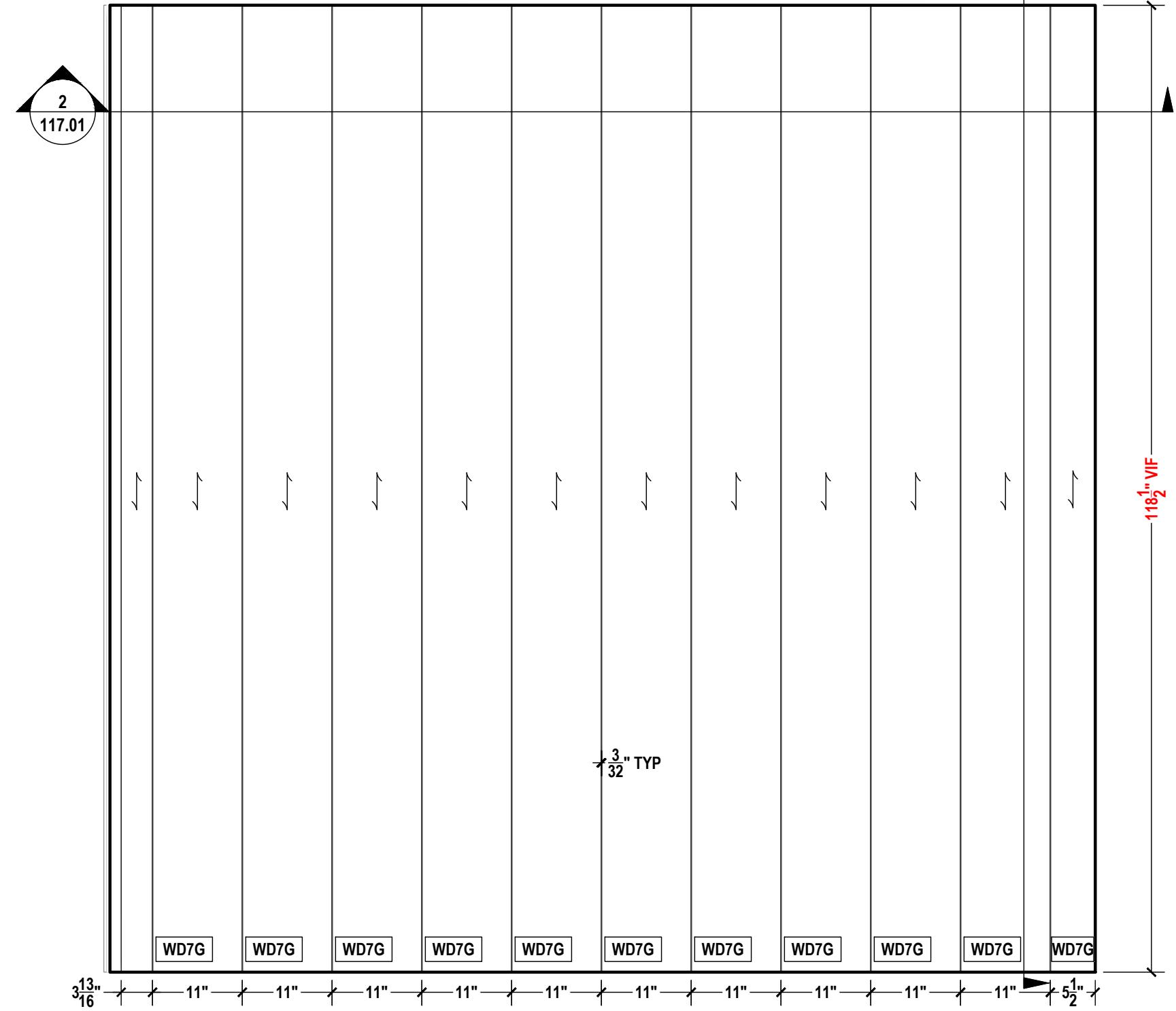
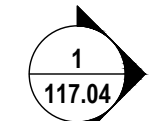
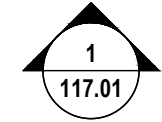
REVISIONS:

No.	DATE	DESCRIPTIONS	BY:
△	-	-	-
△	-	-	-
△	-	-	-
△	-	-	-
△	-	-	-
△	-	-	-
△	-	-	-

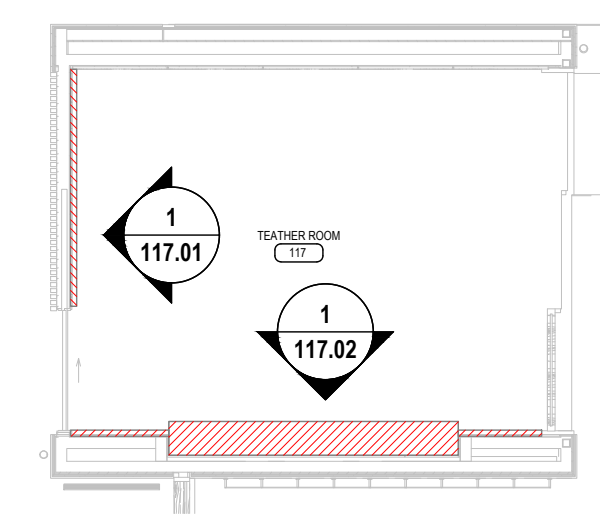
APPROVAL DATE	-
PLOT DATE	11/13/2024
PROJECT NUMBER	-----
ROOM NAME	116 - GUEST BED
SHEET NUMBER	116.03



1 117 - THEATER ROOM
 PLAN SECTION
 SCALE: 1-1/2"=1'-0" ARCH REF.: 1/A1.10



1 117 - THEATER ROOM
 ELEVATION
 SCALE: 3/4"=1'-0" ARCH REF.: 4/A5.09



	QCP	YES <input type="checkbox"/>	NO <input checked="" type="checkbox"/>
	LEED	YES <input type="checkbox"/>	NO <input checked="" type="checkbox"/>
	FSC	YES <input type="checkbox"/>	NO <input checked="" type="checkbox"/>
	NAUF	YES <input type="checkbox"/>	NO <input checked="" type="checkbox"/>

FINISHES:

WOOD		
KEY	COLOR	GRAIN
WD7E	STAINED RIFT SAWN WHITE OAK	YES
WD7G	3/4" X 16" OAK VENEER T&G PANELING	YES

INTERIOR FINISHES		
KEY	COLOR	GRAIN
WD	PREFINISHED MAPLE	YES

PM:	-
DRAWN BY:	TMS
DATE DRAWN:	10/11/2024
REVIEWED BY:	-

REVISIONS:

No.	DATE:	DESCRIPTIONS:	BY:
△	-	-	-
△	-	-	-
△	-	-	-
△	-	-	-
△	-	-	-
△	-	-	-
△	-	-	-
△	-	-	-

APPROVAL DATE	-
PLOT DATE	11/13/2024
PROJECT NUMBER	-----
ROOM NAME	117 - THEATER RM
SHEET NUMBER	117.01



QCP	YES <input type="checkbox"/>	NO <input checked="" type="checkbox"/>
LEED	YES <input type="checkbox"/>	NO <input checked="" type="checkbox"/>
FSC	YES <input type="checkbox"/>	NO <input checked="" type="checkbox"/>
NAUF	YES <input type="checkbox"/>	NO <input checked="" type="checkbox"/>

FINISHES:

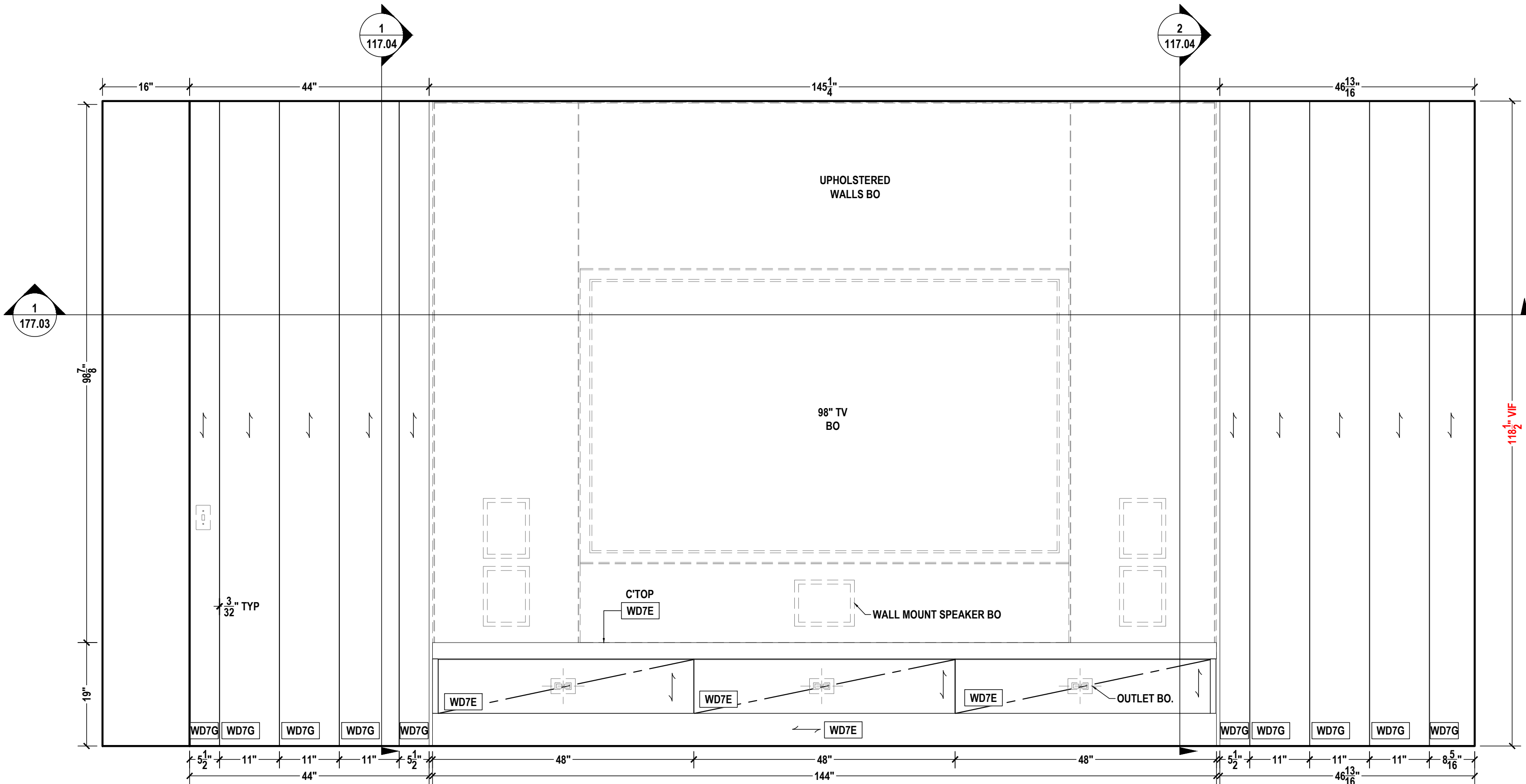
WOOD		
KEY	COLOR	GRAIN
WD7E	STAINED RIFT SAWN WHITE OAK	YES
WD7G	2" X 16" OAK VENEER T&G PANELING	YES
INTERIOR FINISHES		
KEY	COLOR	GRAIN
WD	PREFINISHED MAPLE	YES

PM:	-
DRAWN BY:	TMS
DATE DRAWN:	10/11/2024
REVIEWED BY:	-

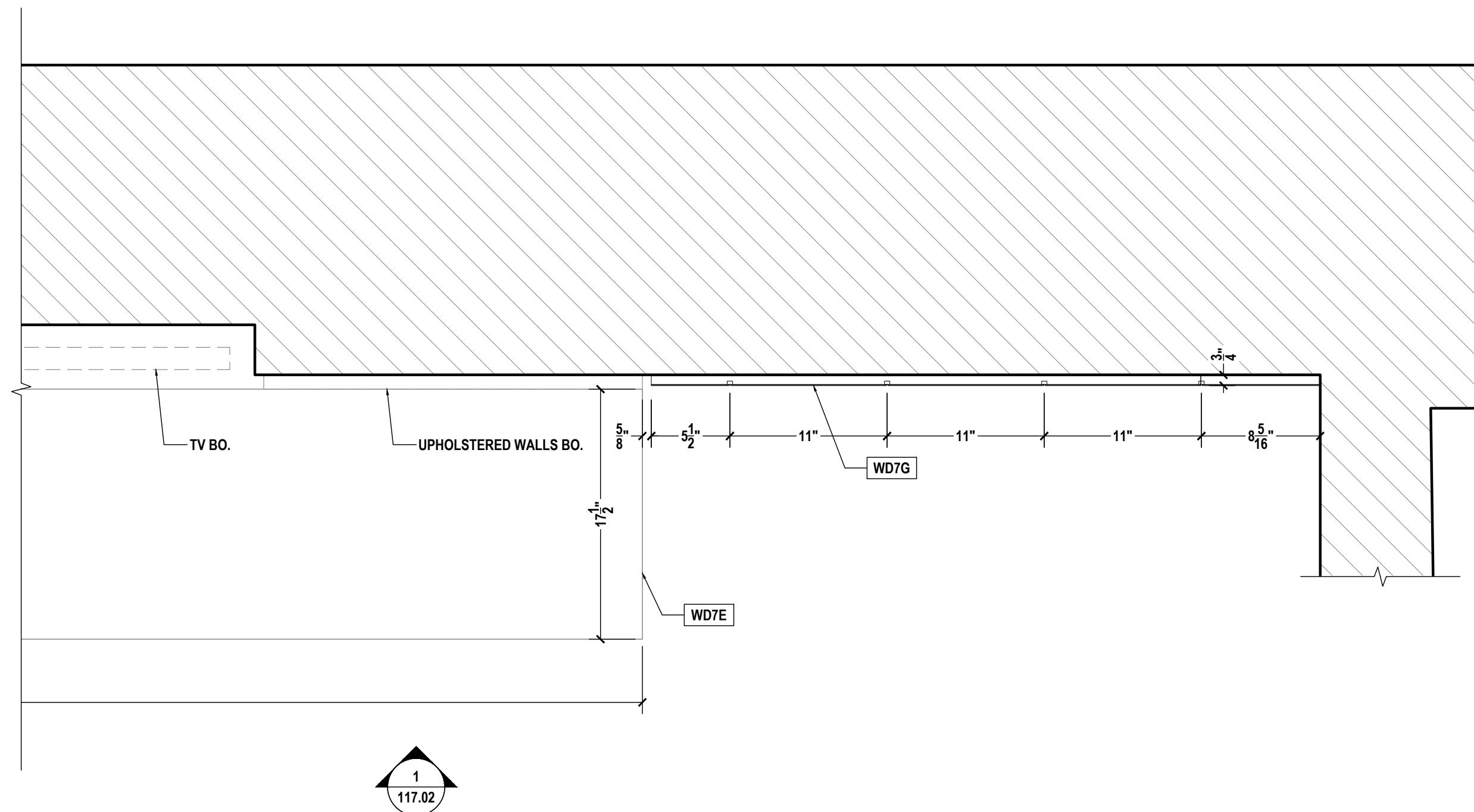
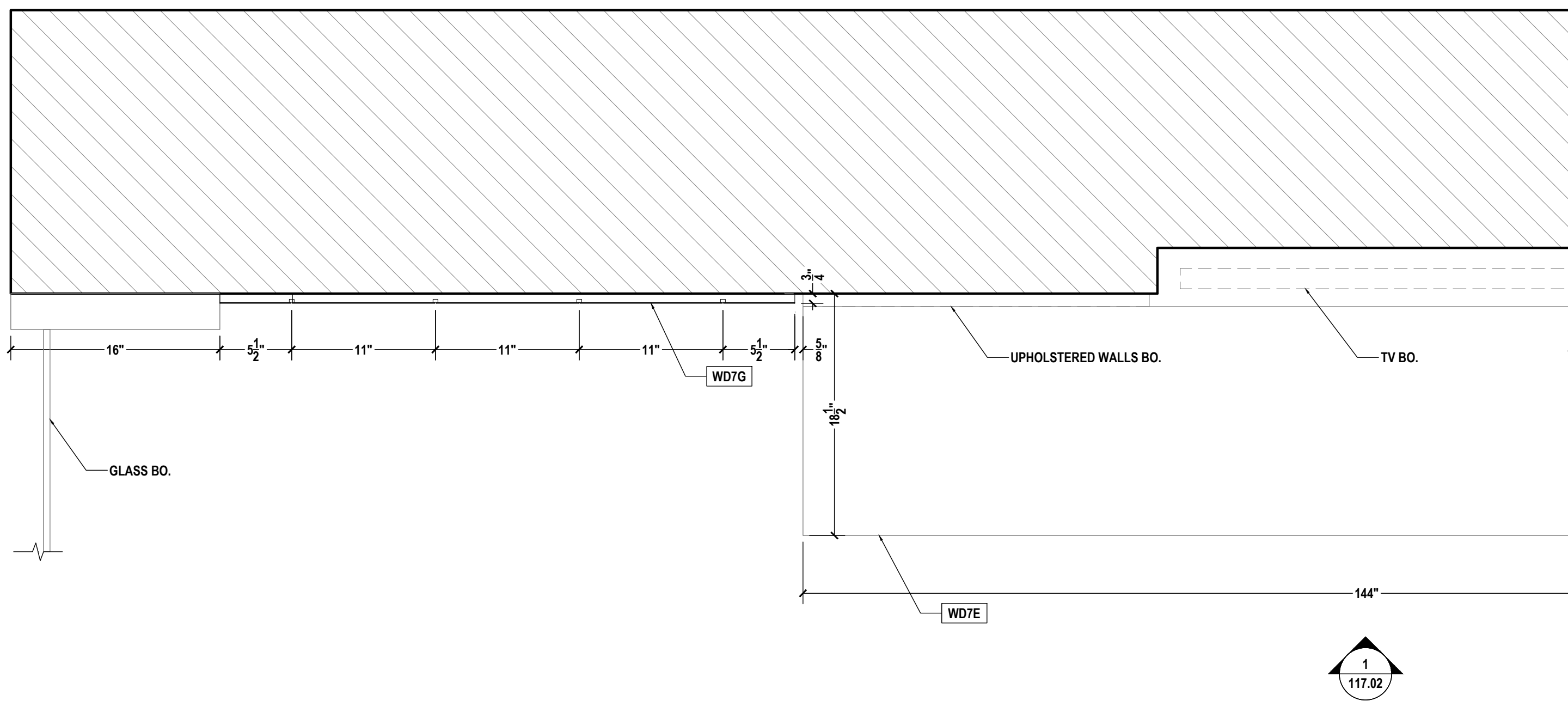
REVISIONS:

No.	DATE	DESCRIPTIONS	BY:
△	-	-	-
△	-	-	-
△	-	-	-
△	-	-	-
△	-	-	-
△	-	-	-
△	-	-	-
△	-	-	-
△	-	-	-

APPROVAL DATE	-
PLOT DATE	11/13/2024
PROJECT NUMBER	-----
ROOM NAME	117 - THEATER RM
SHEET NUMBER	117.02



1 117 - THEATER ROOM
ELEVATION
SCALE: 3/4"=1'-0" ARCH REF.: 3/A5.09



1 117 - THEATER ROOM
 PLAN SECTION
 SCALE: 1-1/2"=1'-0" ARCH REF.: 1/A1.10



QCP	YES <input type="checkbox"/>	NO <input checked="" type="checkbox"/>
LEED	YES <input type="checkbox"/>	NO <input checked="" type="checkbox"/>
FSC	YES <input type="checkbox"/>	NO <input checked="" type="checkbox"/>
NAUF	YES <input type="checkbox"/>	NO <input checked="" type="checkbox"/>

FINISHES:

KEY	WOOD	
	COLOR	GRAIN
WD7E	STAINED RIFT SAWN WHITE OAK	YES
WD7G	3/4" X 16" OAK VENEER T&G PANELING	YES

INTERIOR FINISHES		
KEY	COLOR	GRAIN
WD	PREFINISHED MAPLE	YES

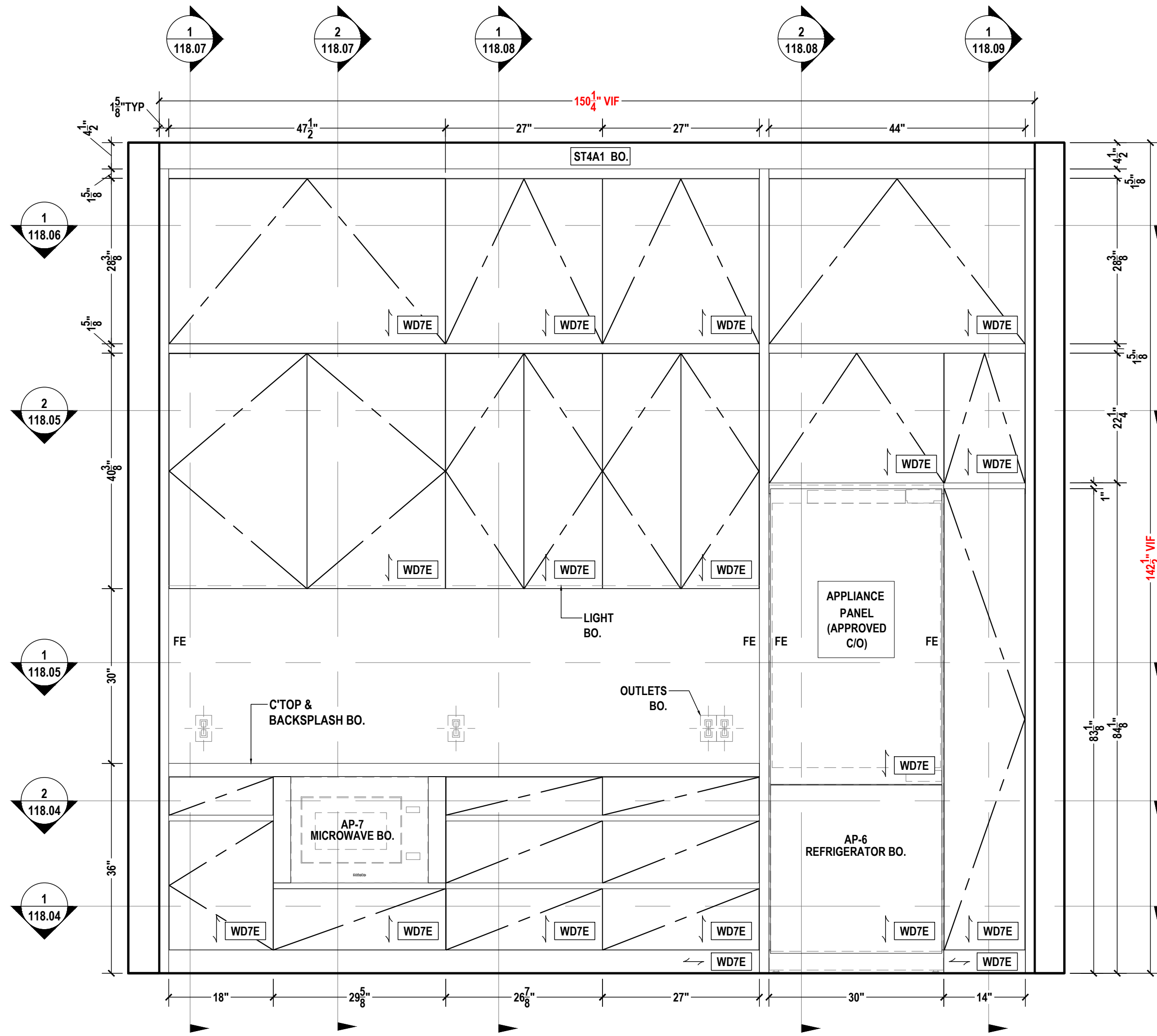
PM:	-
DRAWN BY:	TMS
DATE DRAWN:	10/11/2024
REVIEWED BY:	-

REVISIONS:

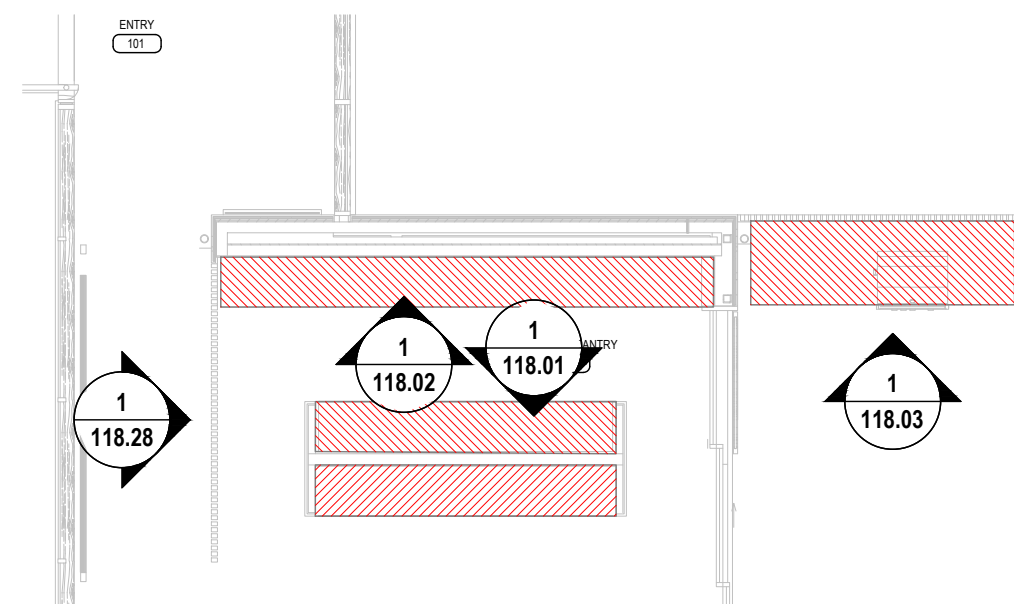
No.	DATE	DESCRIPTIONS	BY:
△	-	-	-
△	-	-	-
△	-	-	-
△	-	-	-
△	-	-	-
△	-	-	-
△	-	-	-
△	-	-	-

APPROVAL DATE	-
PLOT DATE	11/13/2024
PROJECT NUMBER	-----
ROOM NAME	117 - THEATER RM
SHEET NUMBER	117.03

**** NOTE TO ARCH AND G.C. ****
 REFERENCE RFI LIST ON SHEET 1CS.03
 PLEASE CONFIRM HOW WARDROVE
 CABINET WILL OPEN



1 118 - BUTLER'S PANTRY
 ELEVATION
 SCALE: 3/4"=1'-0" ARCH REF.: 5/A5.00



	QCP	YES <input type="checkbox"/>	NO <input checked="" type="checkbox"/>
	LEED	YES <input type="checkbox"/>	NO <input checked="" type="checkbox"/>
	FSC	YES <input type="checkbox"/>	NO <input checked="" type="checkbox"/>
	NAUF	YES <input type="checkbox"/>	NO <input checked="" type="checkbox"/>

FINISHES:

KEY	WOOD COLOR	GRAIN
WD7E	STAINED RIFT SAWN WHITE OAK	YES
KEY	INTERIOR FINISHES COLOR	GRAIN
WD	PREFINISHED MAPLE	YES
KEY	SPECIALS COLOR	GRAIN
MTL2A	METAL TO MATCH SVB RAW WHITE BRONZE	NO

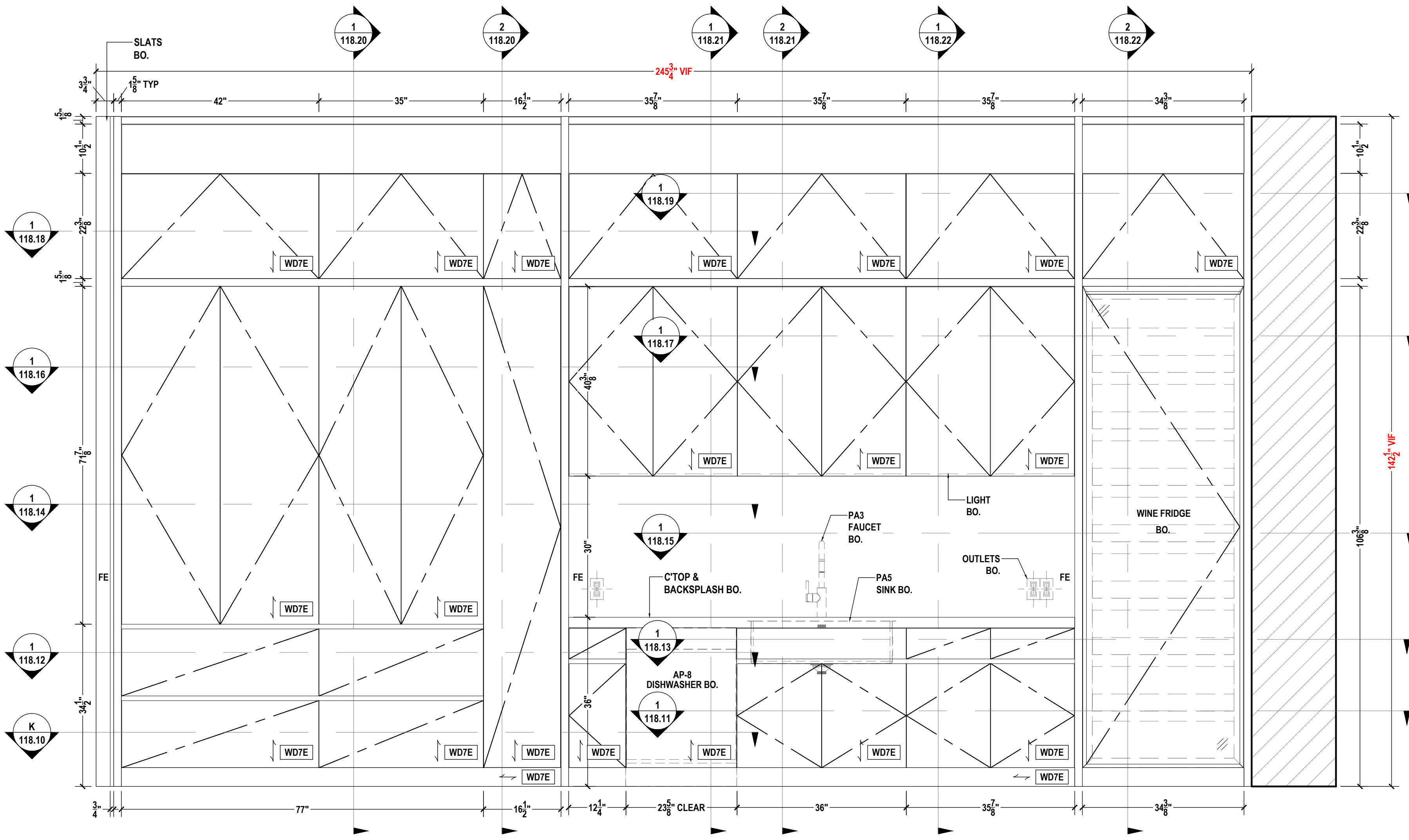
PM:	-
DRAWN BY:	TMS
DATE DRAWN:	10/11/2024
REVIEWED BY:	-

REVISIONS:

No.	DATE	DESCRIPTIONS	BY:
△	-	-	-
△	-	-	-
△	-	-	-
△	-	-	-
△	-	-	-
△	-	-	-
△	-	-	-
△	-	-	-
△	-	-	-

APPROVAL DATE	-
PLOT DATE	11/13/2024
PROJECT NUMBER	-----
ROOM NAME	118 - PANTRY
SHEET NUMBER	118.01

**** NOTE TO ARCH AND G.C. ****
 REFERENCE RFI LIST ON SHEET 1CS.03
 PLEASE CONFIRM HOW WARDROBE
 CABINET WILL OPEN



1 118 - BUTLER'S PANTRY
 ELEVATION
 SCALE: 3/4"=1'-0" ARCH REF.: 6/A5.00

	QCP	YES <input type="checkbox"/>	NO <input checked="" type="checkbox"/>
	LEED	YES <input type="checkbox"/>	NO <input checked="" type="checkbox"/>
	FSC	YES <input type="checkbox"/>	NO <input checked="" type="checkbox"/>
	NAUF	YES <input type="checkbox"/>	NO <input checked="" type="checkbox"/>

FINISHES:

KEY	WOOD COLOR	GRAIN
WD7E	STAINED RIFT SAWN WHITE OAK	YES
KEY	INTERIOR FINISHES COLOR	GRAIN
WD	PREFINISHED MAPLE	YES
KEY	SPECIALS COLOR	GRAIN
MTL2A	METAL TO MATCH SVB RAW WHITE BRONZE	NO

PM:	-
DRAWN BY:	TMS
DATE DRAWN:	10/11/2024
REVIEWED BY:	-

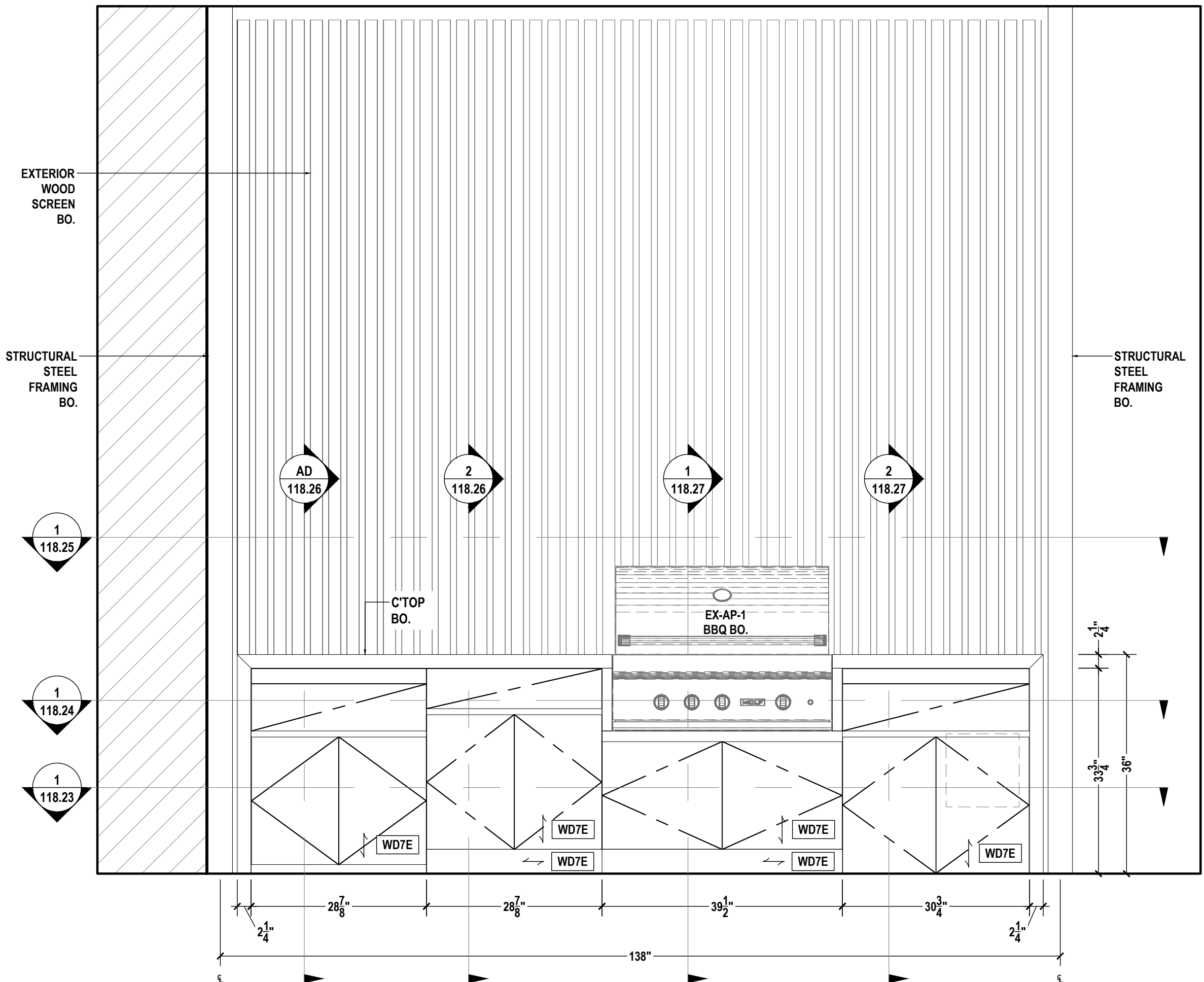
REVISIONS:

No.	DATE:	DESCRIPTIONS:	BY:
△	-	-	-
△	-	-	-
△	-	-	-
△	-	-	-
△	-	-	-
△	-	-	-
△	-	-	-
△	-	-	-

APPROVAL DATE	-
PLOT DATE	11/13/2024
PROJECT NUMBER	-----
ROOM NAME	118 - PANTRY
SHEET NUMBER	118.02

**** NOTE TO ARCH AND G.C. ****
 REFERENCE RFI LIST ON SHEET 1CS.03
 PLEASE CONFIRM DESIGN INTENT AT BBQ CABINETS

**** NOTE TO ARCH AND G.C. ****
 REFERENCE RFI LIST ON SHEET 1CS.03
 PLEASE CONFIRM IF EX-AP-1 WILL HAVE COMBUSTIBLE INSTALLATION



1 118 - BUTLER'S PANTRY
 ELEVATION
 SCALE: 3/4"=1'-0" ARCH REF.: 6/A5.00

	QCP	YES <input type="checkbox"/>	NO <input checked="" type="checkbox"/>
	LEED	YES <input type="checkbox"/>	NO <input checked="" type="checkbox"/>
	FSC	YES <input type="checkbox"/>	NO <input checked="" type="checkbox"/>
	NAUF	YES <input type="checkbox"/>	NO <input checked="" type="checkbox"/>

FINISHES:

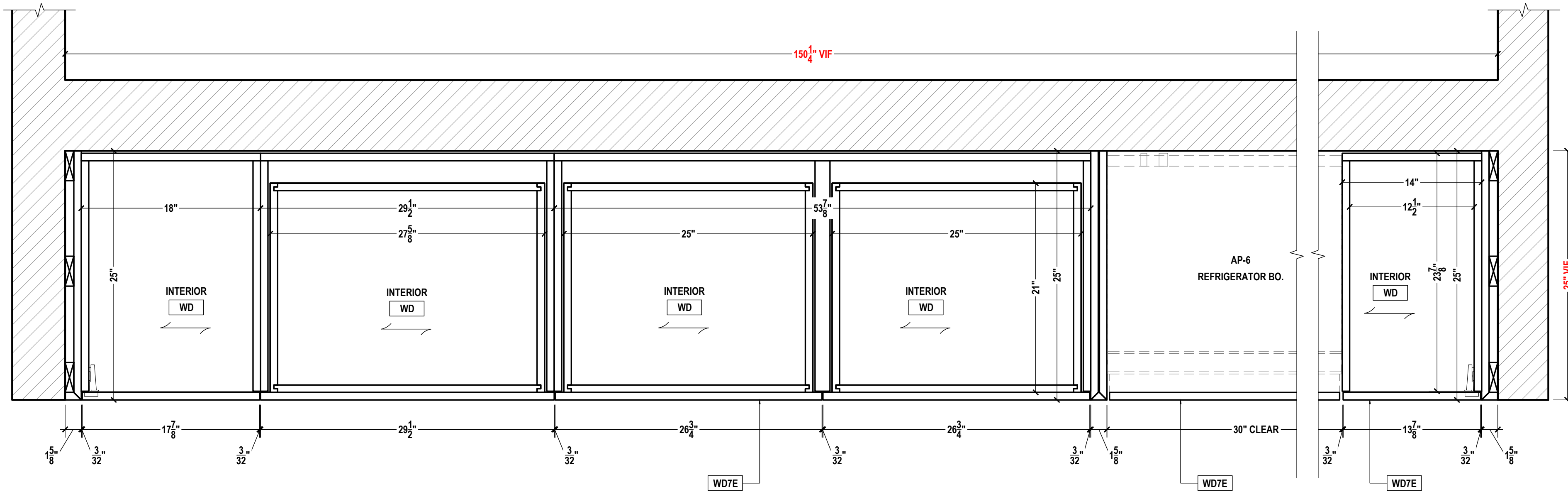
WOOD		
KEY	COLOR	GRAIN
WD7E	STAINED RIFT SAWN WHITE OAK	YES
INTERIOR FINISHES		
KEY	COLOR	GRAIN
WD	PREFINISHED MAPLE	YES
SPECIALS		
KEY	COLOR	GRAIN
MTL2A	METAL TO MATCH SUB RAW WHITE BRONZE	NO

PM:	-
DRAWN BY:	TMS
DATE DRAWN:	10/11/2024
REVIEWED BY:	-

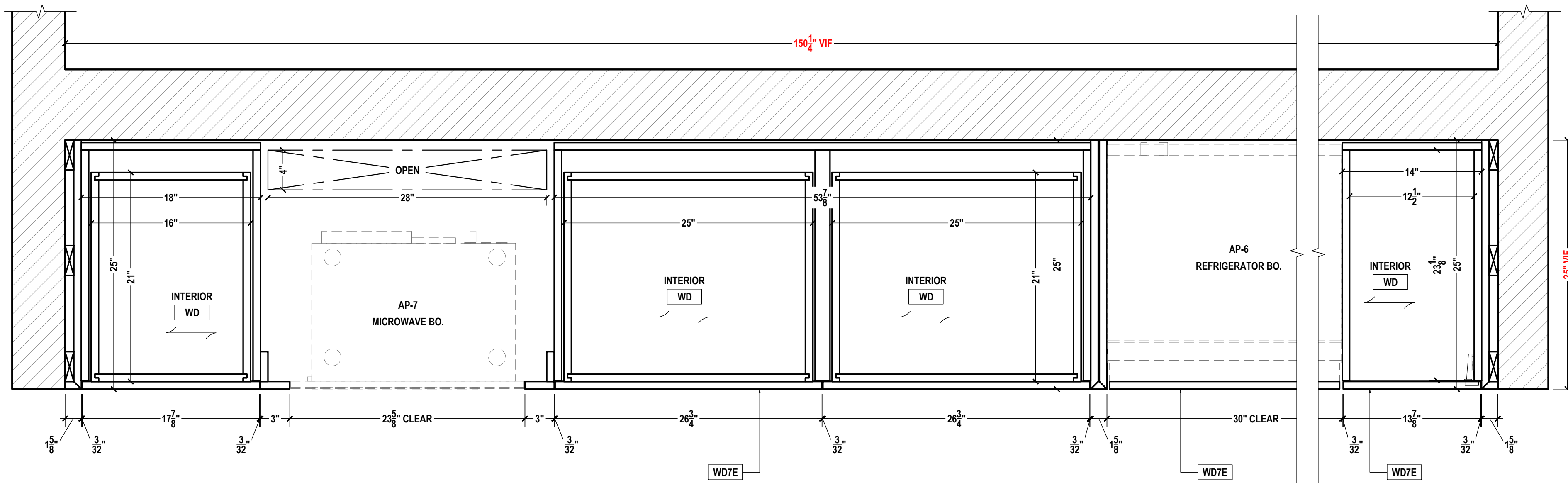
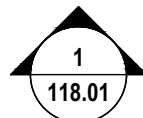
REVISIONS:

No.	DATE	DESCRIPTIONS	BY:
△	-	-	-
△	-	-	-
△	-	-	-
△	-	-	-
△	-	-	-
△	-	-	-
△	-	-	-
△	-	-	-

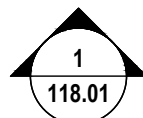
APPROVAL DATE	-
PLOT DATE	11/13/2024
PROJECT NUMBER	-----
ROOM NAME	118 - PANTRY
SHEET NUMBER	118.03



1 118 - BUTLER'S PANTRY
 PLAN SECTION
 SCALE: 1-1/2"=1'-0" ARCH REF.: N/A



2 118 - BUTLER'S PANTRY
 PLAN SECTION
 SCALE: 1-1/2"=1'-0" ARCH REF.: N/A



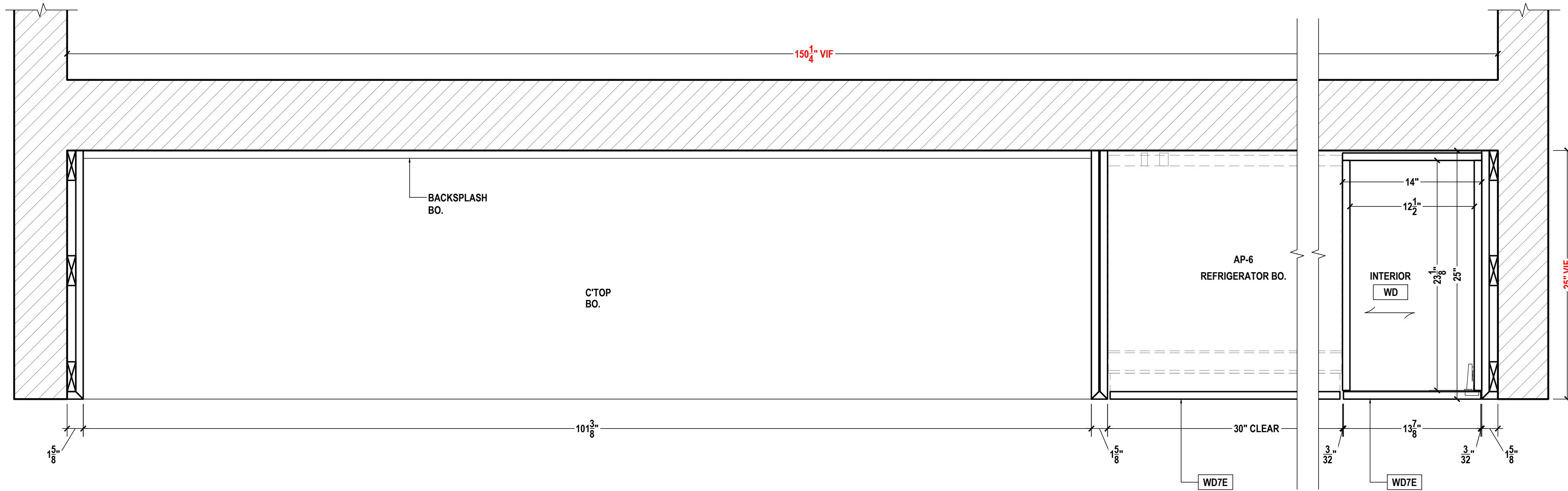
	QCP	YES <input type="checkbox"/>	NO <input checked="" type="checkbox"/>
	LEED	YES <input type="checkbox"/>	NO <input checked="" type="checkbox"/>
	FSC	YES <input type="checkbox"/>	NO <input checked="" type="checkbox"/>
	NAUF	YES <input type="checkbox"/>	NO <input checked="" type="checkbox"/>

FINISHES:		
KEY	WOOD COLOR	GRAIN
WD7E	STAINED RIFT SAWN WHITE OAK	YES
INTERIOR FINISHES		
KEY	COLOR	GRAIN
WD	PREFINISHED MAPLE	YES
SPECIALS		
KEY	COLOR	GRAIN
MTL2A	METAL TO MATCH SVB RAW WHITE BRONZE	NO

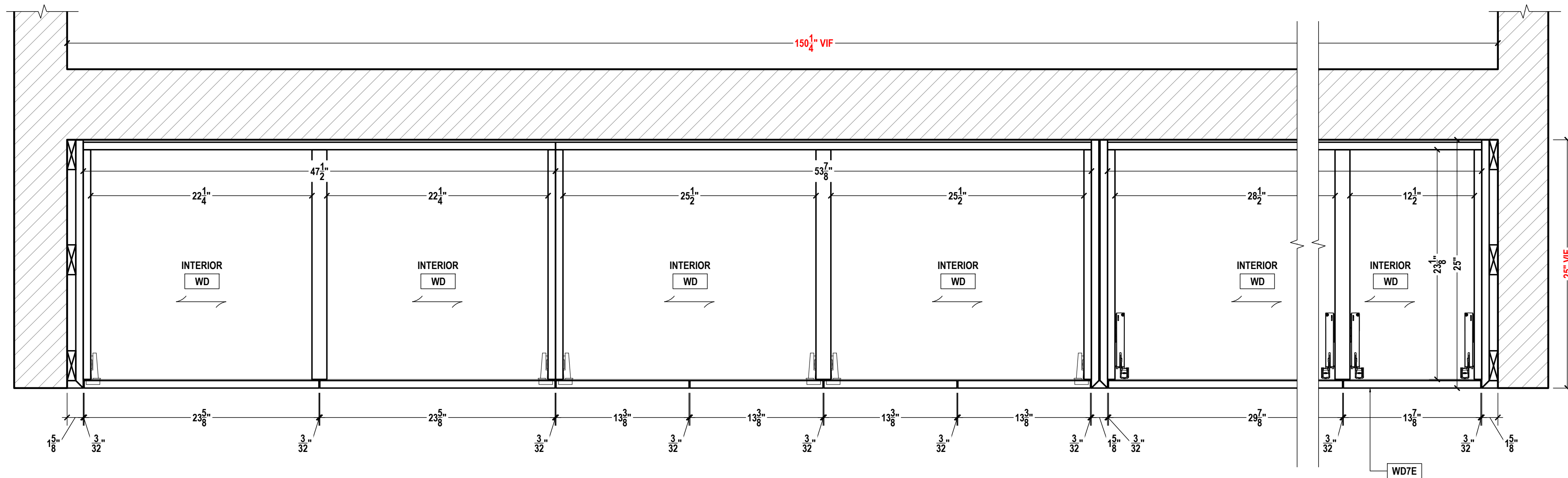
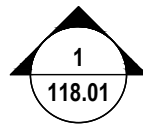
PM:	-
DRAWN BY:	TMS
DATE DRAWN:	10/11/2024
REVIEWED BY:	-

REVISIONS:			
No.	DATE	DESCRIPTIONS	BY:
△	-	-	-
△	-	-	-
△	-	-	-
△	-	-	-
△	-	-	-
△	-	-	-
△	-	-	-
△	-	-	-

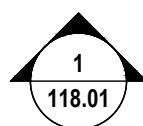
APPROVAL DATE	-
PLOT DATE	11/13/2024
PROJECT NUMBER	-----
ROOM NAME	118 - PANTRY
SHEET NUMBER	118.04



1 118 - BUTLER'S PANTRY
 PLAN SECTION
 SCALE: 1-1/2"=1'-0" ARCH REF.: N/A



2 118 - BUTLER'S PANTRY
 PLAN SECTION
 SCALE: 1-1/2"=1'-0" ARCH REF.: N/A



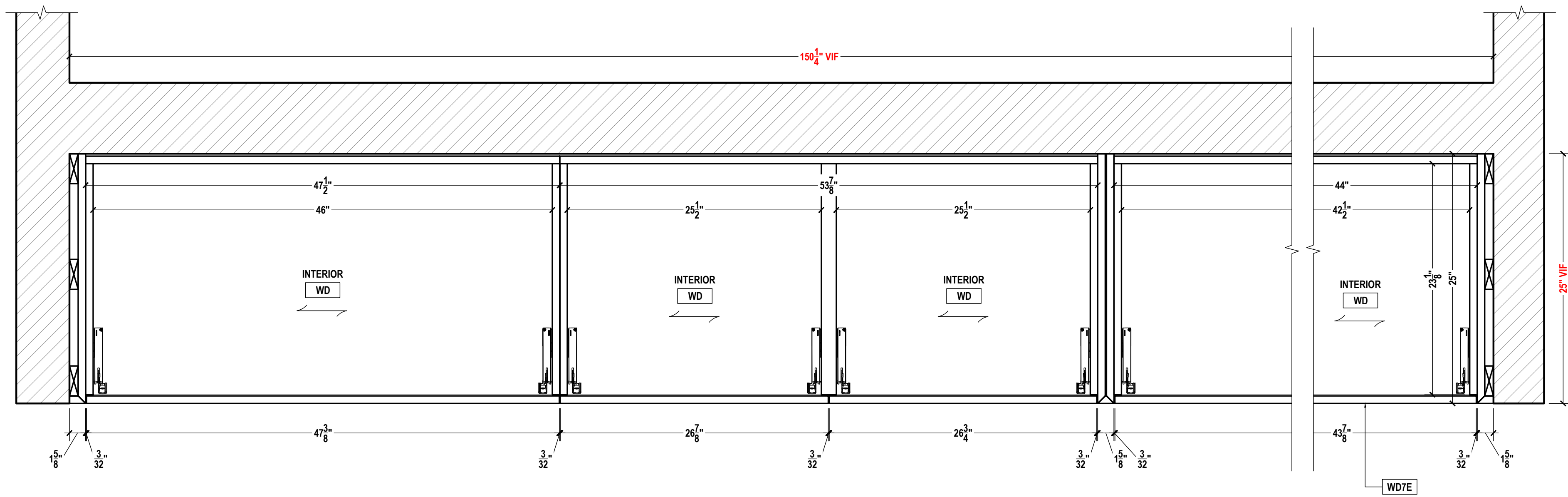
	QCP	YES <input type="checkbox"/>	NO <input checked="" type="checkbox"/>
	LEED	YES <input type="checkbox"/>	NO <input checked="" type="checkbox"/>
	FSC	YES <input type="checkbox"/>	NO <input checked="" type="checkbox"/>
	NAUF	YES <input type="checkbox"/>	NO <input checked="" type="checkbox"/>

FINISHES:		
KEY	WOOD COLOR	GRAIN
WD7E	STAINED RIFT SAWN WHITE OAK	YES
INTERIOR FINISHES		
KEY	COLOR	GRAIN
WD	PREFINISHED MAPLE	YES
SPECIALS		
KEY	COLOR	GRAIN
MTL2A	METAL TO MATCH SVB RAW WHITE BRONZE	NO

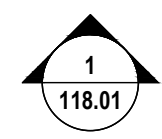
PM:	-
DRAWN BY:	TMS
DATE DRAWN:	10/11/2024
REVIEWED BY:	-

REVISIONS:			
No.	DATE	DESCRIPTIONS	BY:
△	-	-	-
△	-	-	-
△	-	-	-
△	-	-	-
△	-	-	-
△	-	-	-
△	-	-	-
△	-	-	-
△	-	-	-

APPROVAL DATE	-
PLOT DATE	11/13/2024
PROJECT NUMBER	-----
ROOM NAME	118 - PANTRY
SHEET NUMBER	118.05



1 118 - BUTLER'S PANTRY
 PLAN SECTION
 SCALE: 1-1/2"=1'-0" ARCH REF.: N/A



QCP	YES <input type="checkbox"/>	NO <input checked="" type="checkbox"/>
LEED	YES <input type="checkbox"/>	NO <input checked="" type="checkbox"/>
FSC	YES <input type="checkbox"/>	NO <input checked="" type="checkbox"/>
NAUF	YES <input type="checkbox"/>	NO <input checked="" type="checkbox"/>

FINISHES:

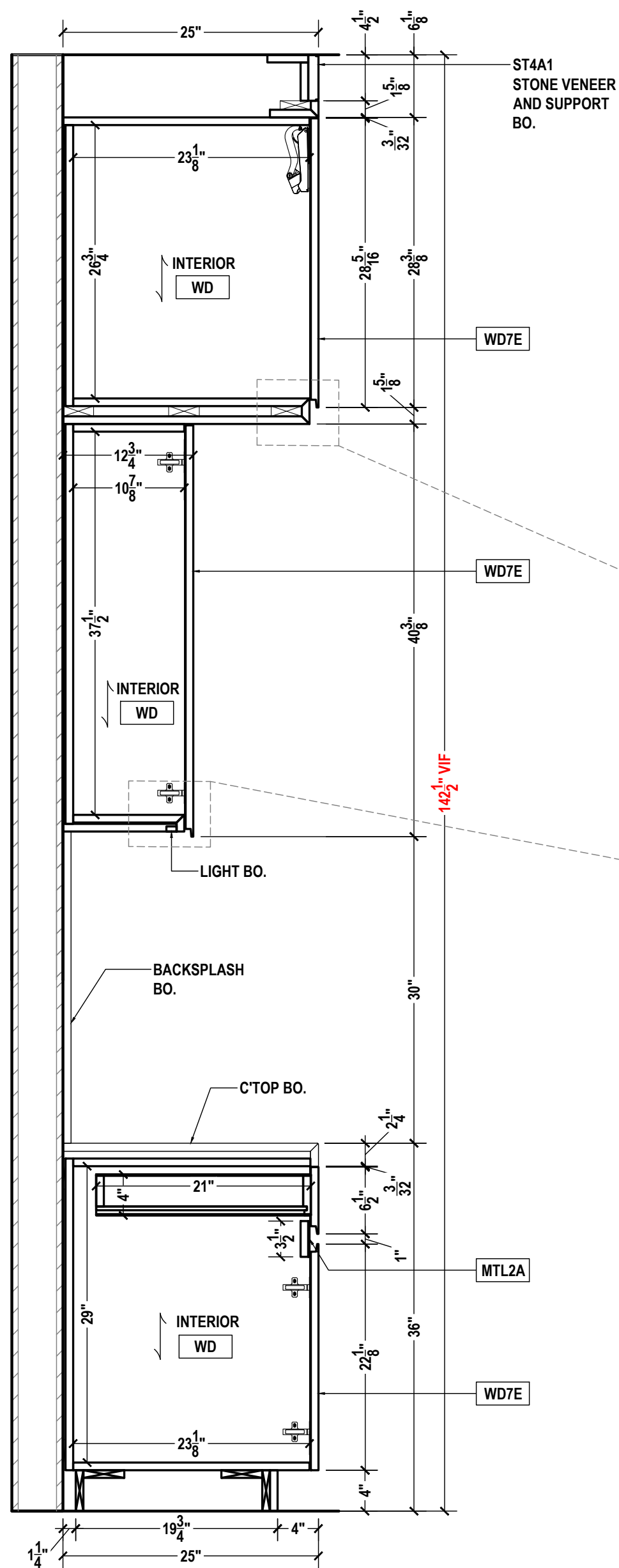
WOOD		GRAIN
KEY	COLOR	YES
WD7E	STAINED RIFT SAWN WHITE OAK	YES
INTERIOR FINISHES		GRAIN
KEY	COLOR	YES
WD	PREFINISHED MAPLE	YES
SPECIALS		GRAIN
KEY	COLOR	YES
MTL2A	METAL TO MATCH SVB RAW WHITE BRONZE	NO

PM:	-
DRAWN BY:	TMS
DATE DRAWN:	10/11/2024
REVIEWED BY:	-

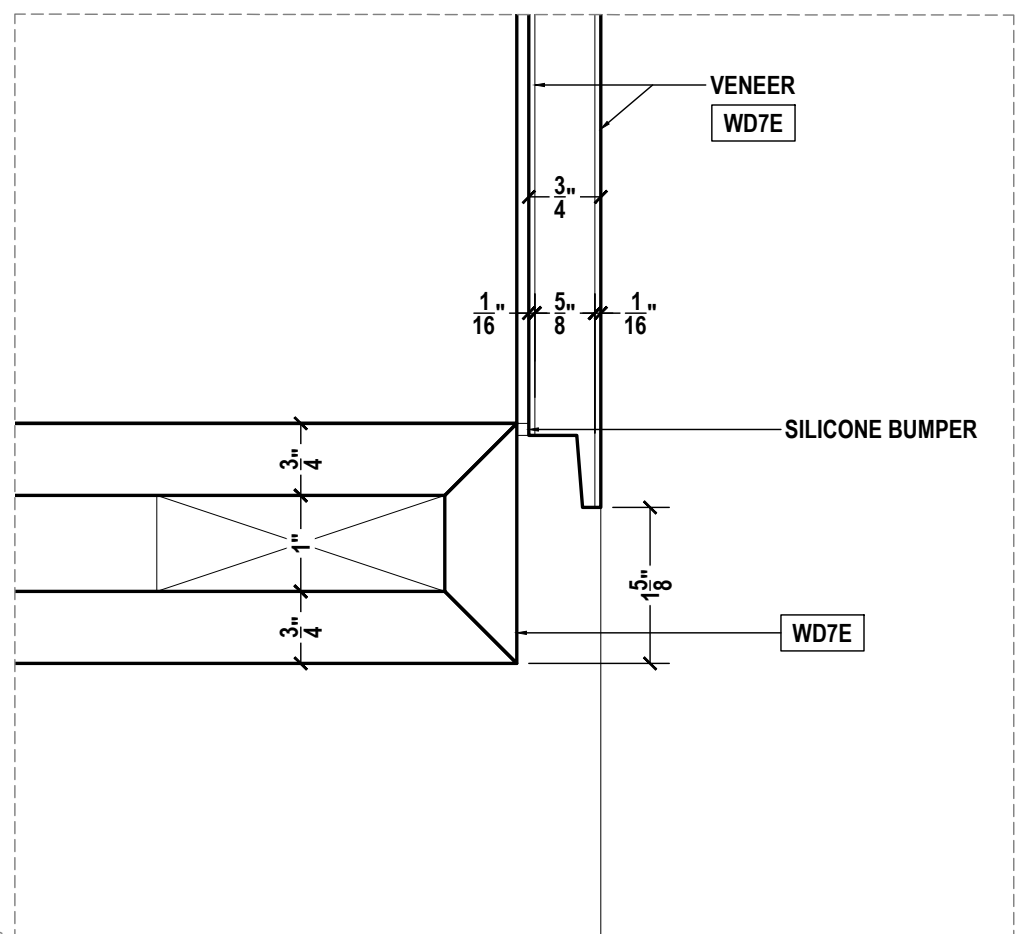
REVISIONS:

No.	DATE	DESCRIPTIONS	BY:
△	-	-	-
△	-	-	-
△	-	-	-
△	-	-	-
△	-	-	-
△	-	-	-
△	-	-	-
△	-	-	-

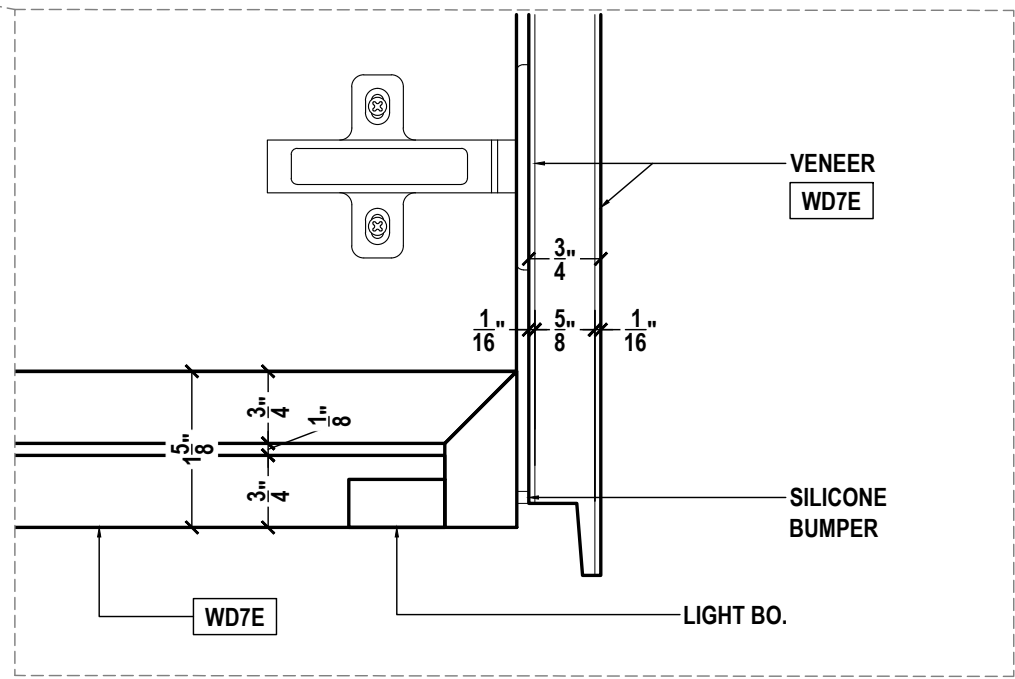
APPROVAL DATE	-
PLOT DATE	11/13/2024
PROJECT NUMBER	-----
ROOM NAME	118 - PANTRY
SHEET NUMBER	118.06



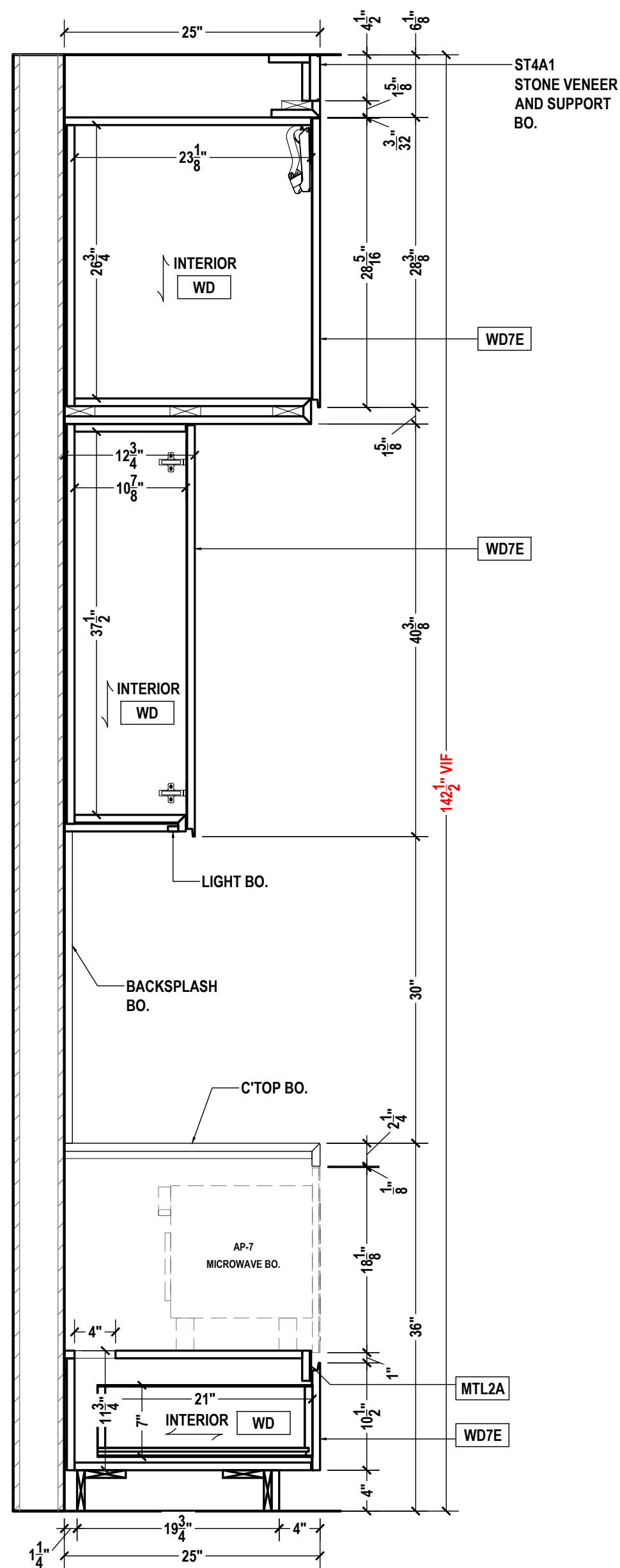
1 118 - BUTLER'S PANTRY SECTION
SCALE: 1"=1'-0" ARCH REF.: 4/A9.00



3 118 - BUTLER'S PANTRY DETAIL
SCALE: 6"=1'-0" ARCH REF.: 4/A9.20



4 118 - BUTLER'S PANTRY DETAIL
SCALE: 6"=1'-0" ARCH REF.: 5/A9.20



2 118 - BUTLER'S PANTRY SECTION
SCALE: 1"=1'-0" ARCH REF.: N/A

	QCP	YES <input type="checkbox"/>	NO <input checked="" type="checkbox"/>
	LEED	YES <input type="checkbox"/>	NO <input checked="" type="checkbox"/>
	FSC	YES <input type="checkbox"/>	NO <input checked="" type="checkbox"/>
	NAUF	YES <input type="checkbox"/>	NO <input checked="" type="checkbox"/>

FINISHES:

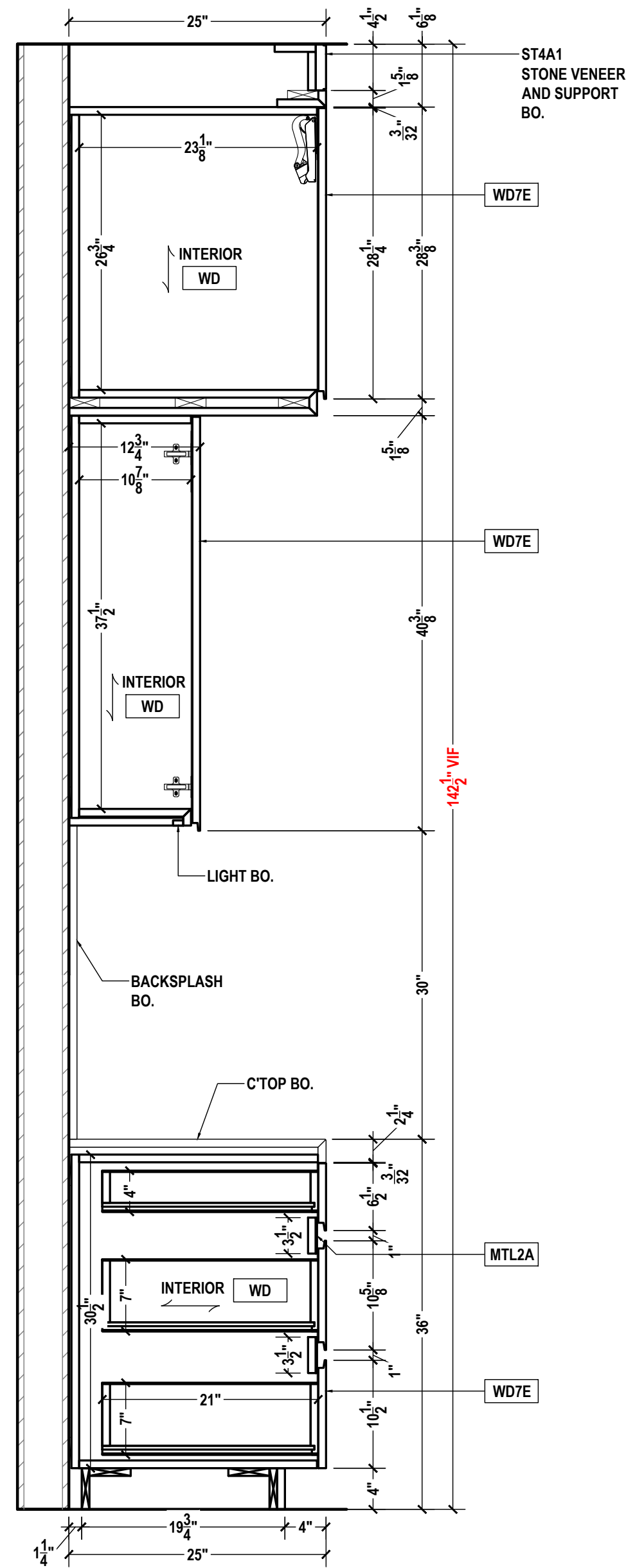
KEY	WOOD COLOR	GRAIN
WD7E	STAINED RIFT SAWN WHITE OAK	YES
KEY	INTERIOR FINISHES COLOR	GRAIN
WD	PREFINISHED MAPLE	YES
KEY	SPECIALS COLOR	GRAIN
MTL2A	METAL TO MATCH SVB RAW WHITE BRONZE	NO

PM:	-
DRAWN BY:	TMS
DATE DRAWN:	10/11/2024
REVIEWED BY:	-

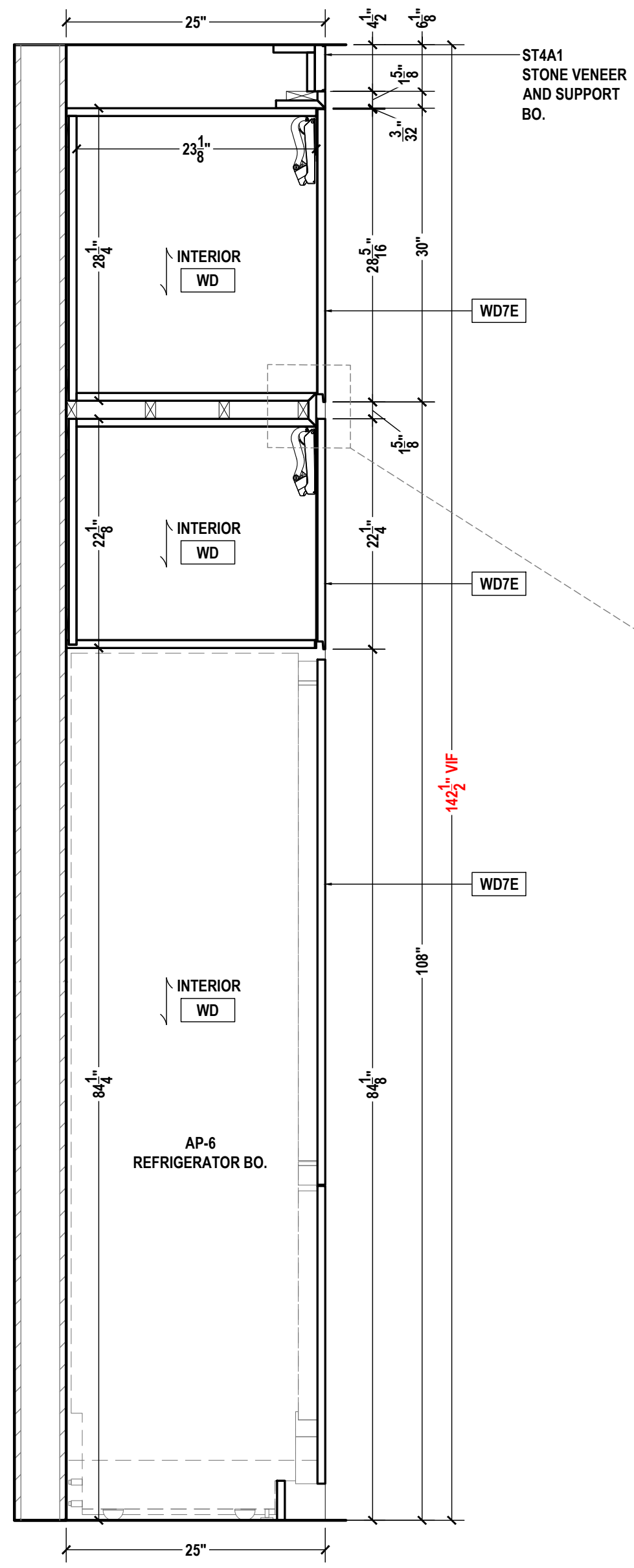
REVISIONS:

No.	DATE	DESCRIPTIONS	BY:
△	-	-	-
△	-	-	-
△	-	-	-
△	-	-	-
△	-	-	-
△	-	-	-
△	-	-	-
△	-	-	-

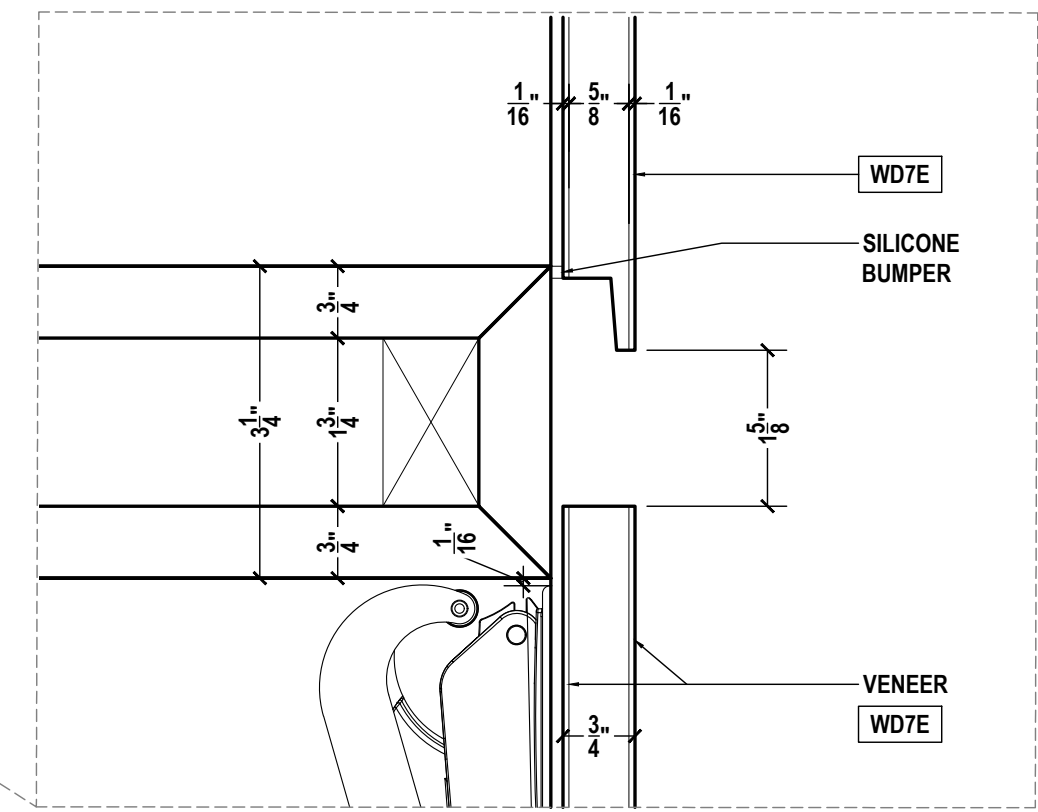
APPROVAL DATE	-
PLOT DATE	11/13/2024
PROJECT NUMBER	-----
ROOM NAME	118 - PANTRY
SHEET NUMBER	118.07



1 118 - BUTLER'S PANTRY SECTION
SCALE: 1"=1'-0" ARCH REF.: 1/A9.01



2 118 - BUTLER'S PANTRY SECTION
SCALE: 1"=1'-0" ARCH REF.: N/A



3 118 - BUTLER'S PANTRY DETAIL
SCALE: 6"=1'-0" ARCH REF.: N/A

	QCP	YES <input type="checkbox"/>	NO <input checked="" type="checkbox"/>
	LEED	YES <input type="checkbox"/>	NO <input checked="" type="checkbox"/>
	FSC	YES <input type="checkbox"/>	NO <input checked="" type="checkbox"/>
	NAUF	YES <input type="checkbox"/>	NO <input checked="" type="checkbox"/>

FINISHES:

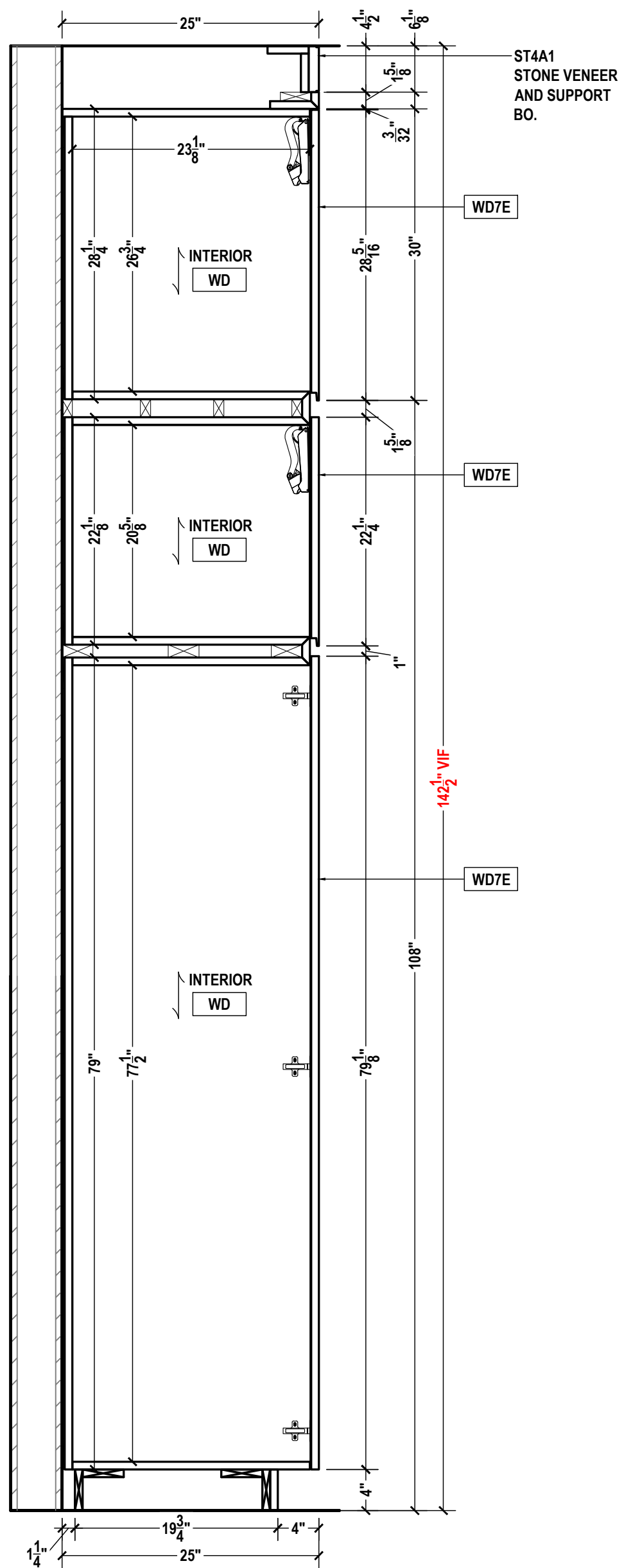
KEY	WOOD COLOR	GRAIN
WD7E	STAINED RIFT SAWN WHITE OAK	YES
KEY	INTERIOR FINISHES COLOR	GRAIN
WD	PREFINISHED MAPLE	YES
KEY	SPECIALS COLOR	GRAIN
MTL2A	METAL TO MATCH SVB RAW WHITE BRONZE	NO

PM:	-
DRAWN BY:	TMS
DATE DRAWN:	10/11/2024
REVIEWED BY:	-

REVISIONS:

No.	DATE:	DESCRIPTIONS:	BY:
△	-	-	-
△	-	-	-
△	-	-	-
△	-	-	-
△	-	-	-
△	-	-	-
△	-	-	-
△	-	-	-

APPROVAL DATE	-
PLOT DATE	11/13/2024
PROJECT NUMBER	-----
ROOM NAME	118 - PANTRY
SHEET NUMBER	118.08



1 118 - BUTLER'S PANTRY SECTION
 SCALE: 1"=1'-0" ARCH REF.: N/A



QCP	YES <input type="checkbox"/>	NO <input checked="" type="checkbox"/>
LEED	YES <input type="checkbox"/>	NO <input checked="" type="checkbox"/>
FSC	YES <input type="checkbox"/>	NO <input checked="" type="checkbox"/>
NAUF	YES <input type="checkbox"/>	NO <input checked="" type="checkbox"/>

FINISHES:

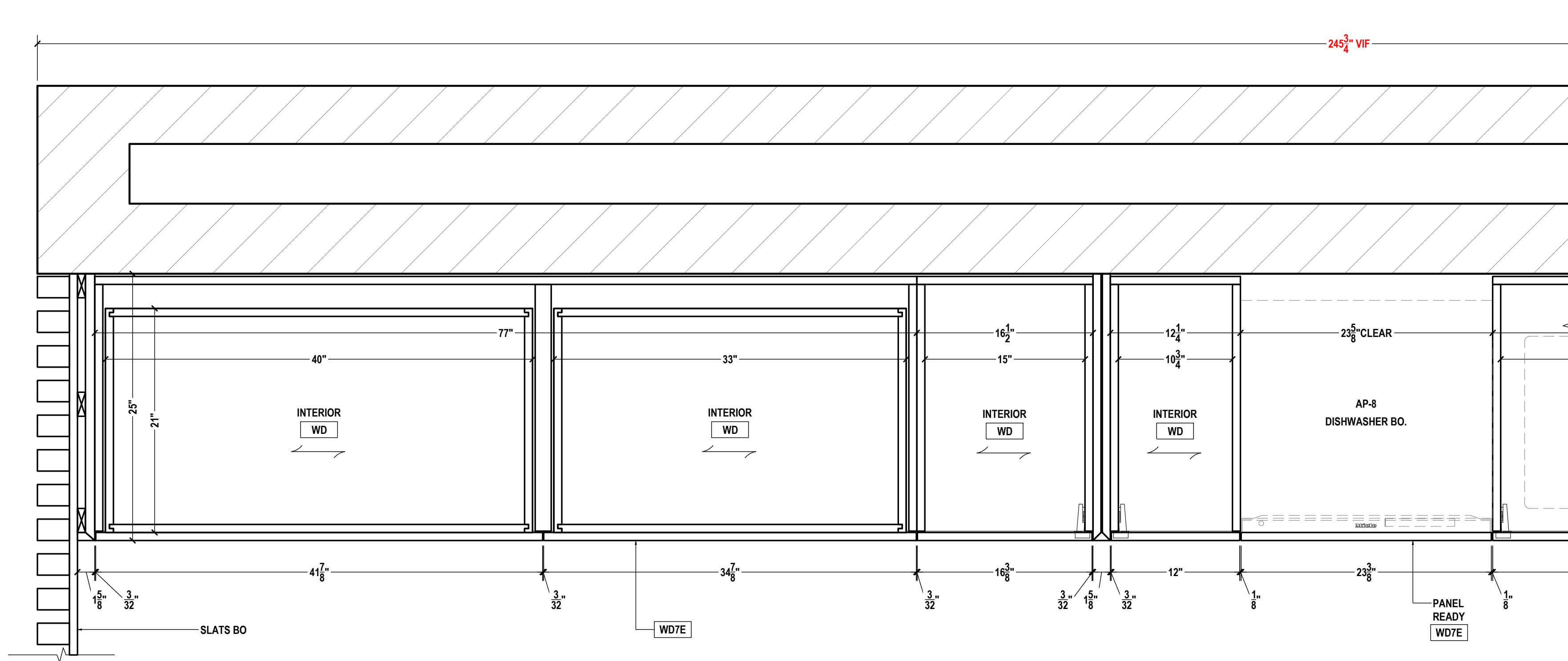
WOOD		
KEY	COLOR	GRAIN
WD7E	STAINED RIFT SAWN WHITE OAK	YES
INTERIOR FINISHES		
KEY	COLOR	GRAIN
WD	PREFINISHED MAPLE	YES
SPECIALS		
KEY	COLOR	GRAIN
MTL2A	METAL TO MATCH SVB RAW WHITE BRONZE	NO

PM:	-
DRAWN BY:	TMS
DATE DRAWN:	10/11/2024
REVIEWED BY:	-

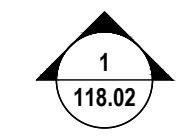
REVISIONS:

No.	DATE:	DESCRIPTIONS:	BY:
△	-	-	-
△	-	-	-
△	-	-	-
△	-	-	-
△	-	-	-
△	-	-	-
△	-	-	-
△	-	-	-

APPROVAL DATE	-
PLOT DATE	11/13/2024
PROJECT NUMBER	-----
ROOM NAME	118 - PANTRY
SHEET NUMBER	118.09



1 118 - BUTLER'S PANTRY
 PLAN SECTION
 SCALE: 1-1/2"=1'-0" ARCH REF.: N/A



QCP	YES <input type="checkbox"/>	NO <input checked="" type="checkbox"/>
LEED	YES <input type="checkbox"/>	NO <input checked="" type="checkbox"/>
FSC	YES <input type="checkbox"/>	NO <input checked="" type="checkbox"/>
NAUF	YES <input type="checkbox"/>	NO <input checked="" type="checkbox"/>

FINISHES:

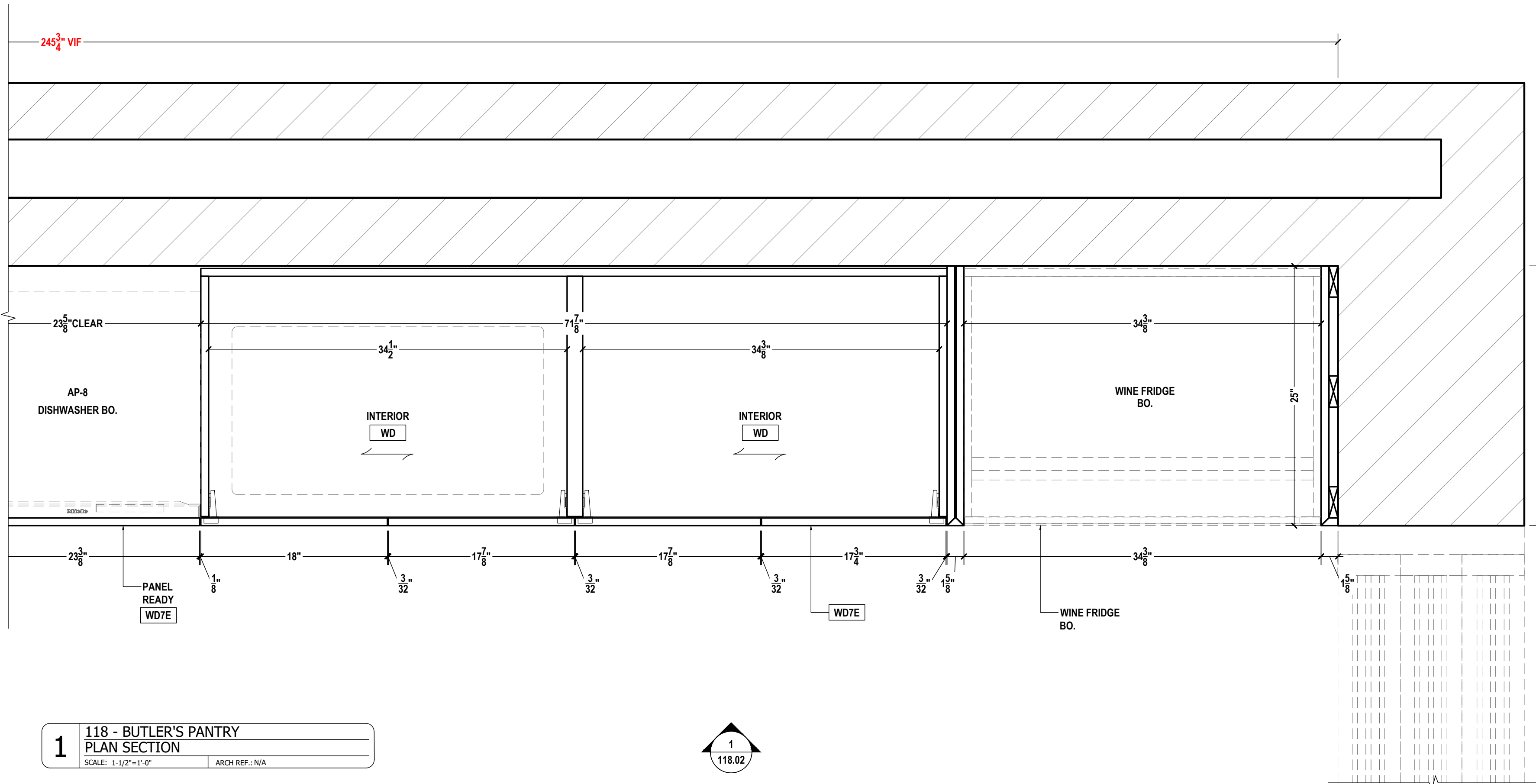
WOOD		GRAIN
KEY	COLOR	
WD7E	STAINED RIFT SAWN WHITE OAK	YES
INTERIOR FINISHES		GRAIN
KEY	COLOR	
WD	PREFINISHED MAPLE	YES
SPECIALS		GRAIN
KEY	COLOR	
MTL2A	METAL TO MATCH SVB RAW WHITE BRONZE	NO

PM:	-
DRAWN BY:	TMS
DATE DRAWN:	10/11/2024
REVIEWED BY:	-

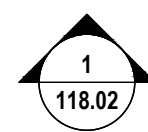
REVISIONS:

No.	DATE:	DESCRIPTIONS:	BY:
△	-	-	-
△	-	-	-
△	-	-	-
△	-	-	-
△	-	-	-
△	-	-	-
△	-	-	-
△	-	-	-

APPROVAL DATE	-
PLOT DATE	11/13/2024
PROJECT NUMBER	-----
ROOM NAME	118 - PANTRY
SHEET NUMBER	118.10



1 118 - BUTLER'S PANTRY
 PLAN SECTION
 SCALE: 1-1/2"=1'-0" ARCH REF.: N/A



QCP	YES <input type="checkbox"/>	NO <input checked="" type="checkbox"/>
LEED	YES <input type="checkbox"/>	NO <input checked="" type="checkbox"/>
FSC	YES <input type="checkbox"/>	NO <input checked="" type="checkbox"/>
NAUF	YES <input type="checkbox"/>	NO <input checked="" type="checkbox"/>

FINISHES:

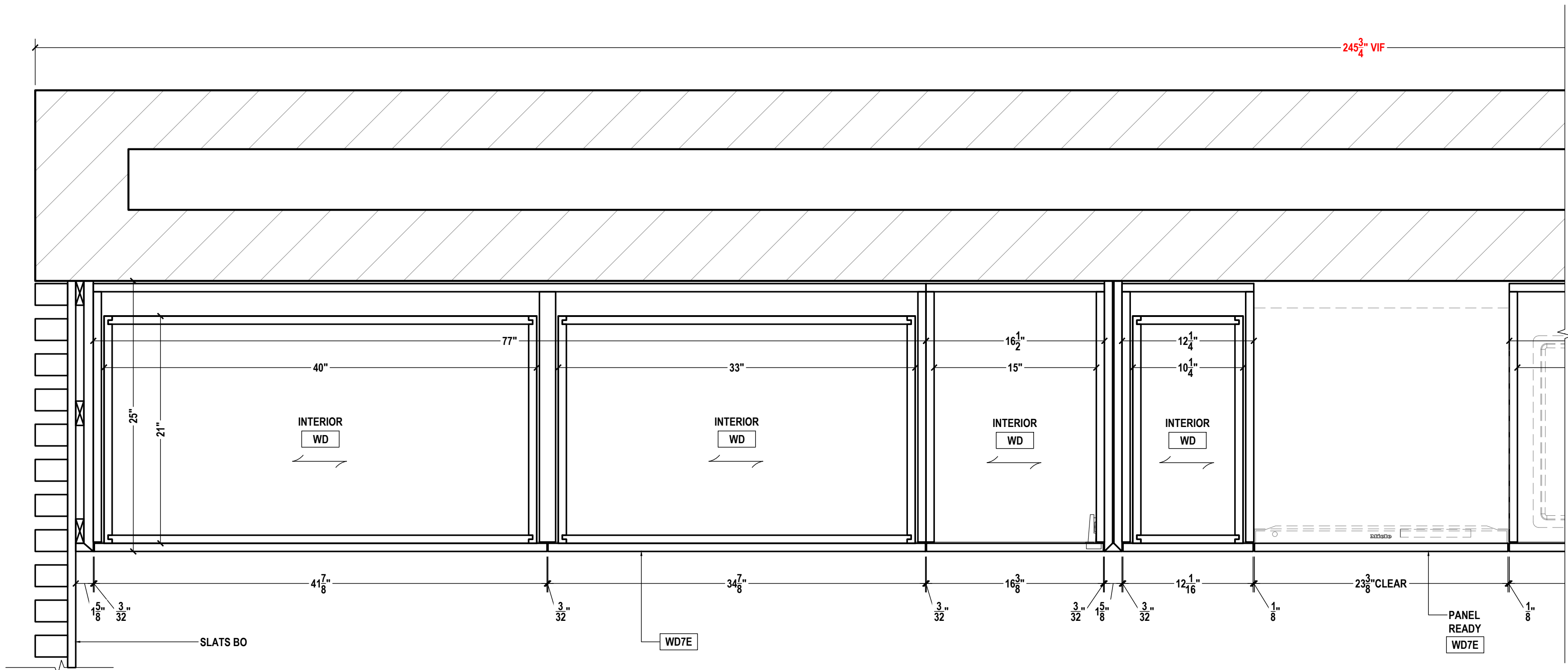
WOOD		GRAIN
KEY	COLOR	
WD7E	STAINED RIFT SAWN WHITE OAK	YES
INTERIOR FINISHES		GRAIN
KEY	COLOR	
WD	PREFINISHED MAPLE	YES
KEY	SPECIALS	GRAIN
MTL2A	METAL TO MATCH SUB RAW WHITE BRONZE	NO

PM:	-
DRAWN BY:	TMS
DATE DRAWN:	10/11/2024
REVIEWED BY:	-

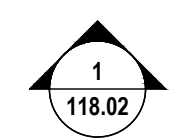
REVISIONS:

No.	DATE	DESCRIPTIONS	BY:
△	-	-	-
△	-	-	-
△	-	-	-
△	-	-	-
△	-	-	-
△	-	-	-
△	-	-	-

APPROVAL DATE	-
PLOT DATE	11/13/2024
PROJECT NUMBER	-----
ROOM NAME	118 - PANTRY
SHEET NUMBER	118.11



1 118 - BUTLER'S PANTRY
 PLAN SECTION
 SCALE: 1-1/2"=1'-0" ARCH REF.: N/A



QCP	YES <input type="checkbox"/>	NO <input checked="" type="checkbox"/>
LEED	YES <input type="checkbox"/>	NO <input checked="" type="checkbox"/>
FSC	YES <input type="checkbox"/>	NO <input checked="" type="checkbox"/>
NAUF	YES <input type="checkbox"/>	NO <input checked="" type="checkbox"/>

FINISHES:

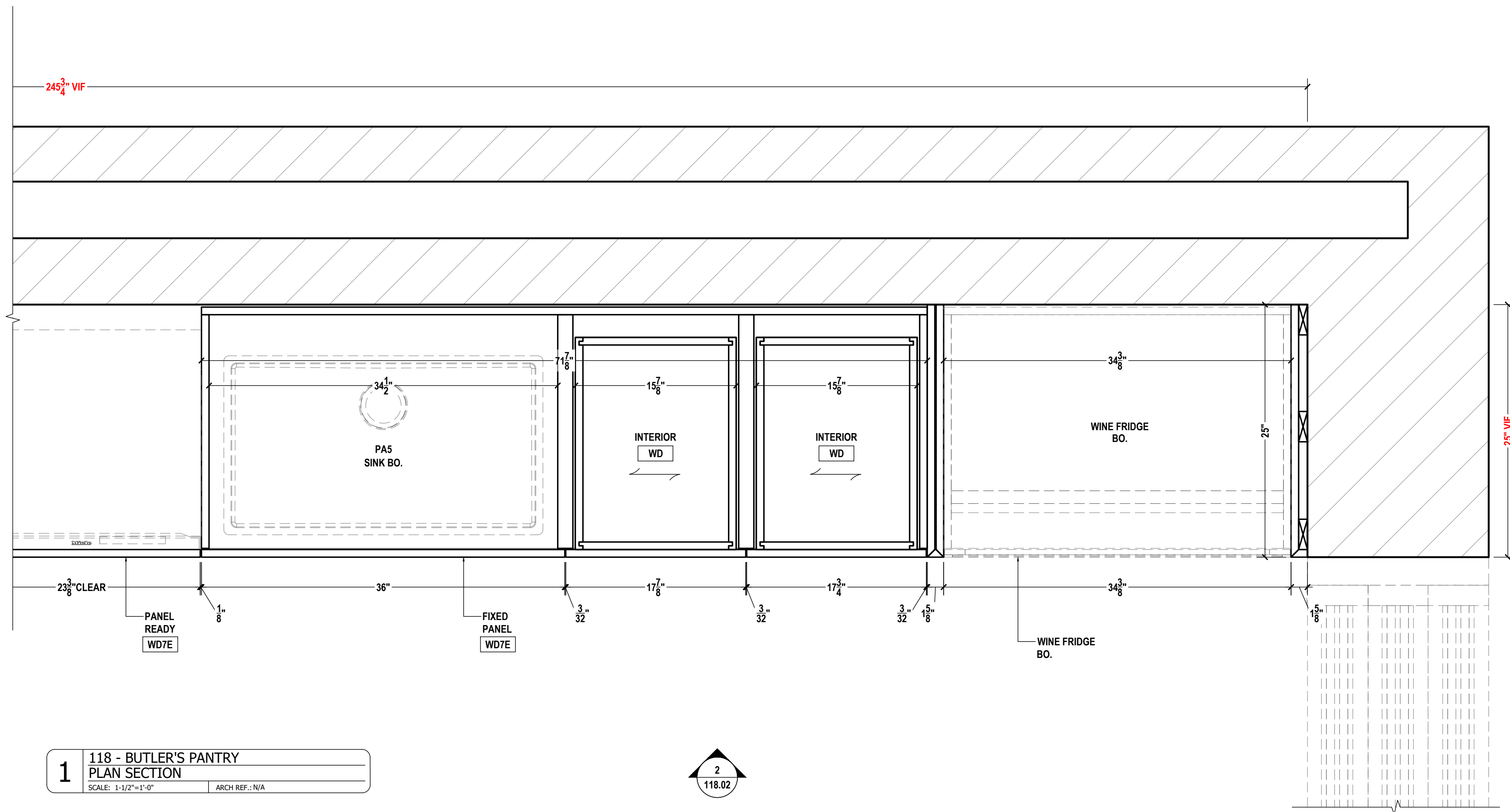
KEY	WOOD COLOR	GRAIN
WD7E	STAINED RIPT SAWN WHITE OAK	YES
INTERIOR FINISHES		
KEY	COLOR	GRAIN
WD	PREFINISHED MAPLE	YES
SPECIALS		
KEY	COLOR	GRAIN
MTL2A	METAL TO MATCH SVB RAW WHITE BRONZE	NO

PM:	-
DRAWN BY:	TMS
DATE DRAWN:	10/11/2024
REVIEWED BY:	-

REVISIONS:

No.	DATE	DESCRIPTIONS	BY:
△	-	-	-
△	-	-	-
△	-	-	-
△	-	-	-
△	-	-	-
△	-	-	-
△	-	-	-
△	-	-	-

APPROVAL DATE	-
PLOT DATE	11/13/2024
PROJECT NUMBER	-----
ROOM NAME	118 - PANTRY
SHEET NUMBER	118.12



1 118 - BUTLER'S PANTRY
 PLAN SECTION
 SCALE: 1-1/2" = 1'-0" ARCH REF.: N/A

2
 118.02



QCP	YES <input type="checkbox"/>	NO <input checked="" type="checkbox"/>
LEED	YES <input type="checkbox"/>	NO <input checked="" type="checkbox"/>
FSC	YES <input type="checkbox"/>	NO <input checked="" type="checkbox"/>
NAUF	YES <input type="checkbox"/>	NO <input checked="" type="checkbox"/>

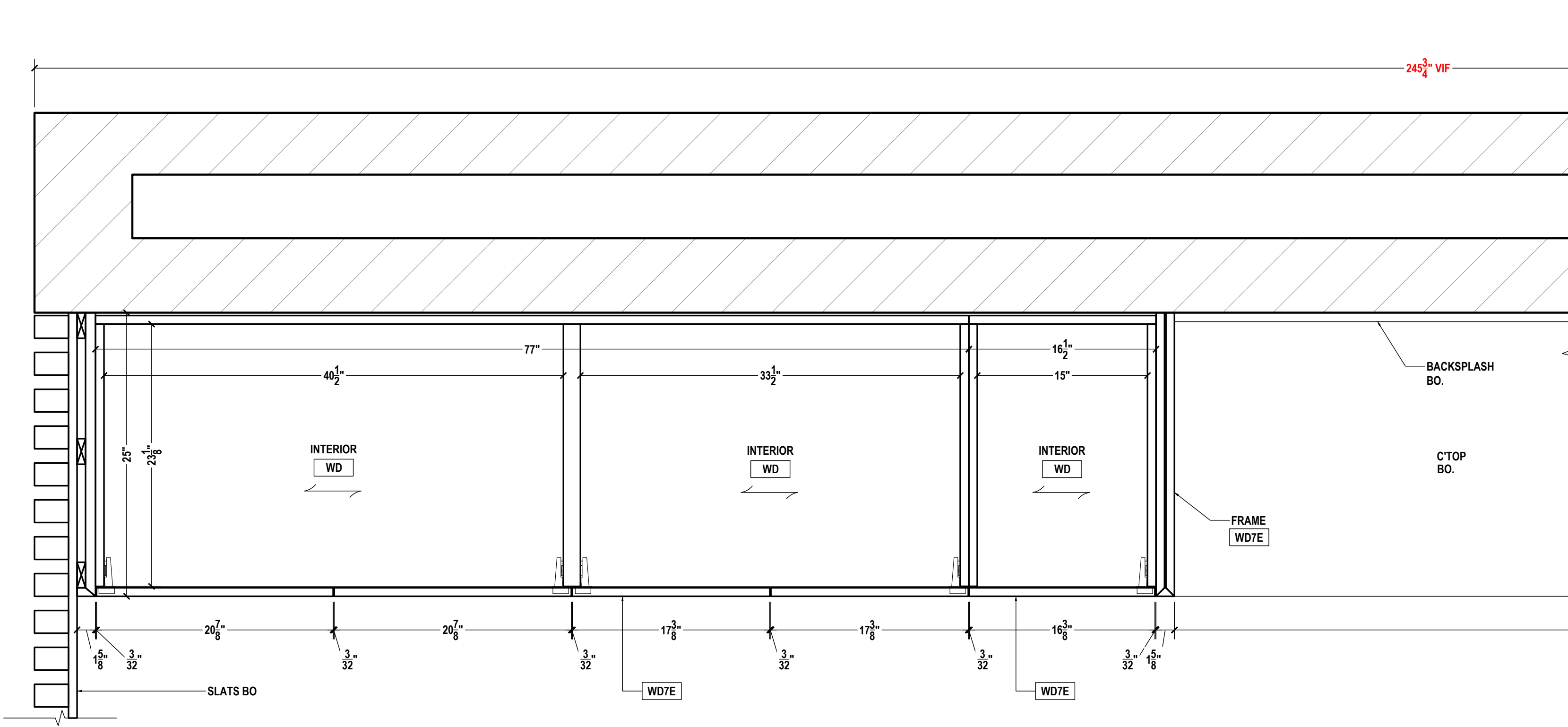
FINISHES:

WOOD		GRAIN
KEY	COLOR	
WD7E	STAINED RIFT SAWN WHITE OAK	YES
INTERIOR FINISHES		GRAIN
KEY	COLOR	
WD	PREFINISHED MAPLE	YES
SPECIALS		GRAIN
KEY	COLOR	
MTL2A	METAL TO MATCH SVB RAW WHITE BRONZE	NO

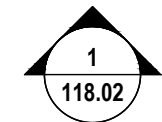
PM:	-
DRAWN BY:	TMS
DATE DRAWN:	10/11/2024
REVIEWED BY:	-

REVISIONS:			
No.	DATE:	DESCRIPTIONS:	BY:
△	-	-	-
△	-	-	-
△	-	-	-
△	-	-	-
△	-	-	-
△	-	-	-
△	-	-	-
△	-	-	-

APPROVAL DATE	-
PLOT DATE	11/13/2024
PROJECT NUMBER	-----
ROOM NAME	118 - PANTRY
SHEET NUMBER	118.13



1 118 - BUTLER'S PANTRY
 PLAN SECTION
 SCALE: 1-1/2"=1'-0" ARCH REF.: 1/AS.00



QCP	YES <input type="checkbox"/>	NO <input checked="" type="checkbox"/>
LEED	YES <input type="checkbox"/>	NO <input checked="" type="checkbox"/>
FSC	YES <input type="checkbox"/>	NO <input checked="" type="checkbox"/>
NAUF	YES <input type="checkbox"/>	NO <input checked="" type="checkbox"/>

FINISHES:

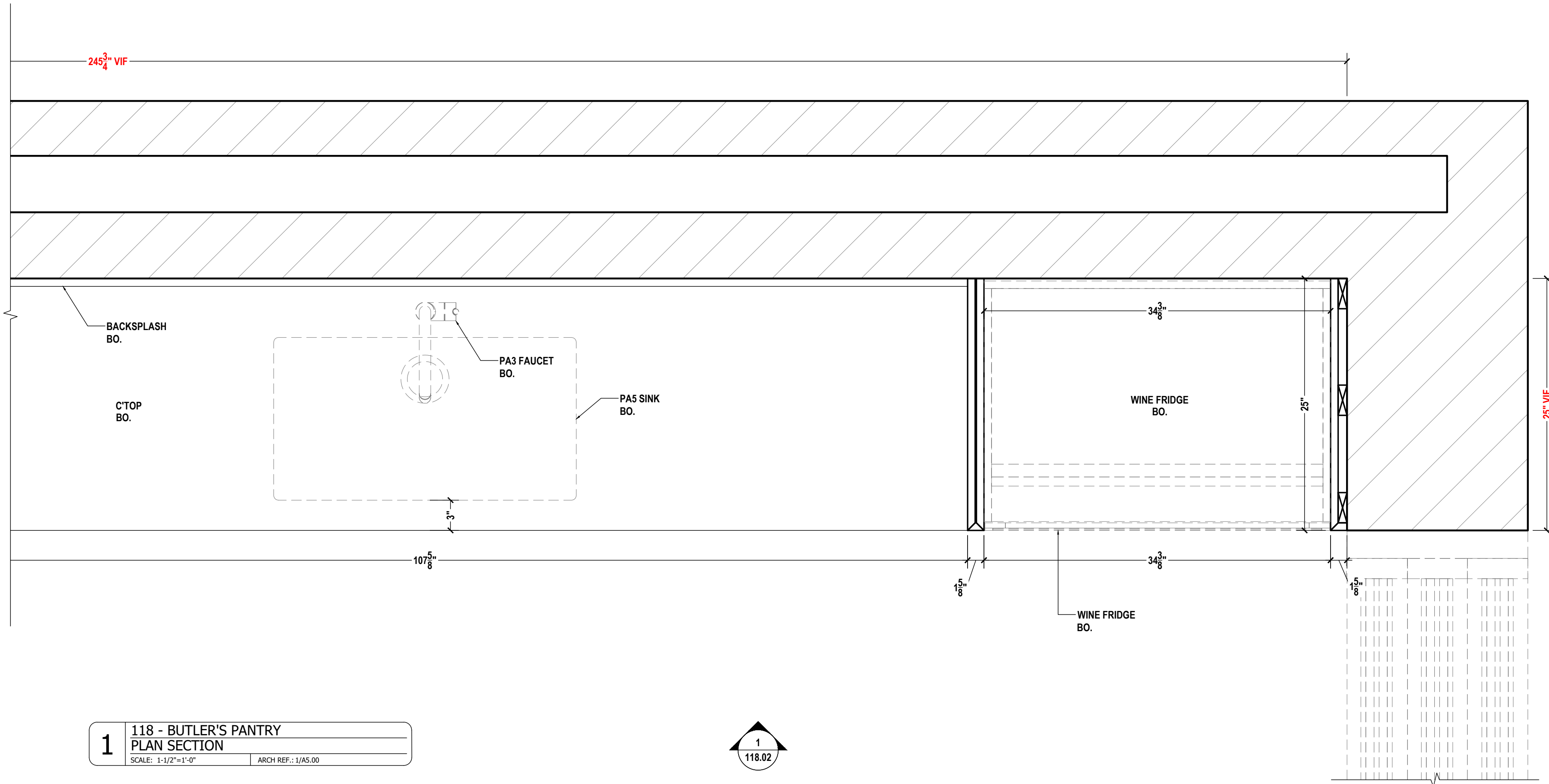
WOOD		
KEY	COLOR	GRAIN
WD7E	STAINED RIFT SAWN WHITE OAK	YES
INTERIOR FINISHES		
KEY	COLOR	GRAIN
WD	PREFINISHED MAPLE	YES
SPECIALS		
KEY	COLOR	GRAIN
MTL2A	METAL TO MATCH SVB RAW WHITE BRONZE	NO

PM:	-
DRAWN BY:	TMS
DATE DRAWN:	10/11/2024
REVIEWED BY:	-

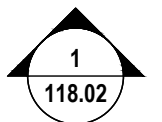
REVISIONS:

No.	DATE:	DESCRIPTIONS:	BY:
△	-	-	-
△	-	-	-
△	-	-	-
△	-	-	-
△	-	-	-
△	-	-	-
△	-	-	-
△	-	-	-

APPROVAL DATE	-
PLOT DATE	11/13/2024
PROJECT NUMBER	-----
ROOM NAME	118 - PANTRY
SHEET NUMBER	118.14



1 118 - BUTLER'S PANTRY
 PLAN SECTION
 SCALE: 1-1/2"=1'-0" ARCH REF.: 1/A5.00



QCP	YES <input type="checkbox"/>	NO <input checked="" type="checkbox"/>
LEED	YES <input type="checkbox"/>	NO <input checked="" type="checkbox"/>
FSC	YES <input type="checkbox"/>	NO <input checked="" type="checkbox"/>
NAUF	YES <input type="checkbox"/>	NO <input checked="" type="checkbox"/>

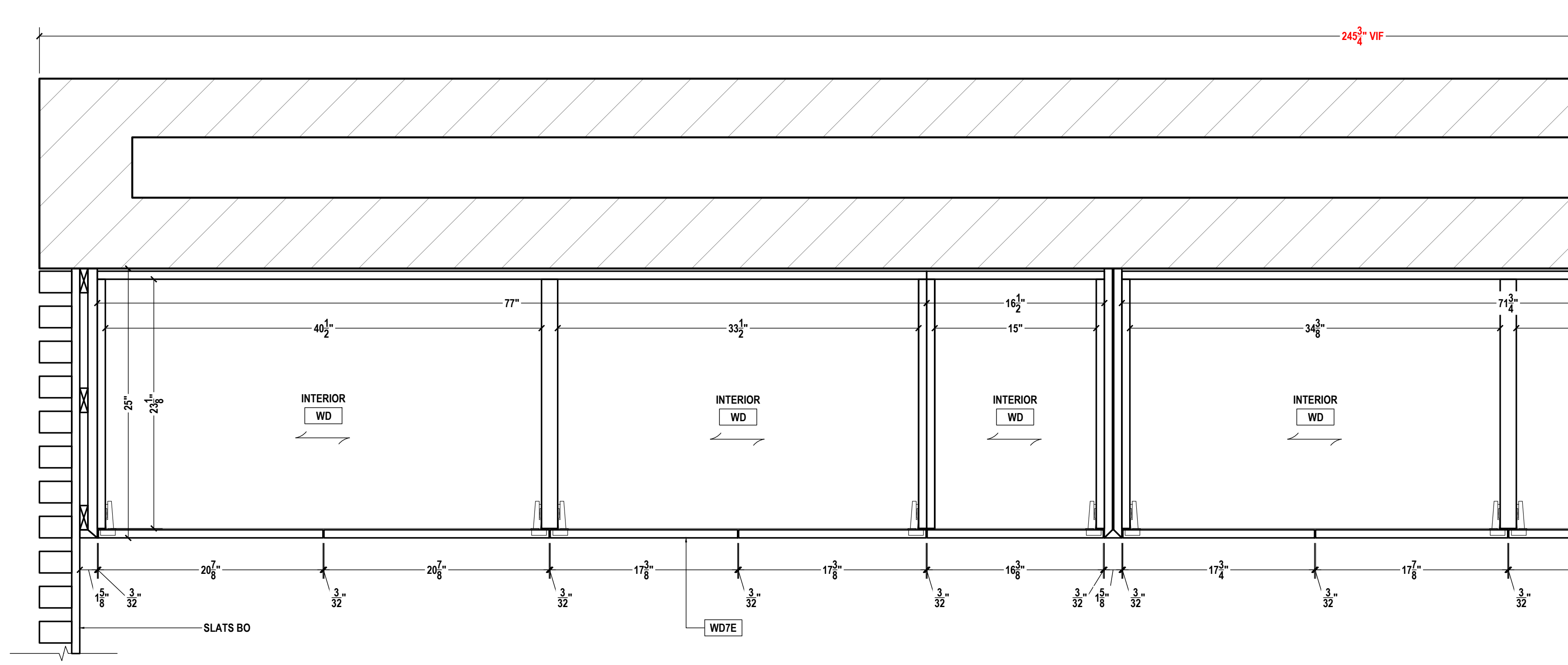
FINISHES:

KEY	WOOD COLOR	GRAIN
W07E	STAINED RIFT SAWN WHITE OAK	YES
KEY	INTERIOR FINISHES COLOR	GRAIN
WD	PREFINISHED MAPLE	YES
KEY	SPECIALS COLOR	GRAIN
MTL2A	METAL TO MATCH SVB RAW WHITE BRONZE	NO

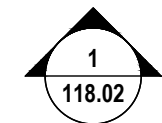
PM:	-
DRAWN BY:	TMS
DATE DRAWN:	10/11/2024
REVIEWED BY:	-

REVISIONS:			
No.	DATE:	DESCRIPTIONS:	BY:
△	-	-	-
△	-	-	-
△	-	-	-
△	-	-	-
△	-	-	-
△	-	-	-
△	-	-	-
△	-	-	-

APPROVAL DATE	-
PLOT DATE	11/13/2024
PROJECT NUMBER	-----
ROOM NAME	118 - PANTRY
SHEET NUMBER	118.15



1 118 - BUTLER'S PANTRY
 PLAN SECTION
 SCALE: 1-1/2"=1'-0" ARCH REF.: N/A



QCP	YES <input type="checkbox"/>	NO <input checked="" type="checkbox"/>
LEED	YES <input type="checkbox"/>	NO <input checked="" type="checkbox"/>
FSC	YES <input type="checkbox"/>	NO <input checked="" type="checkbox"/>
NAUF	YES <input type="checkbox"/>	NO <input checked="" type="checkbox"/>

FINISHES:

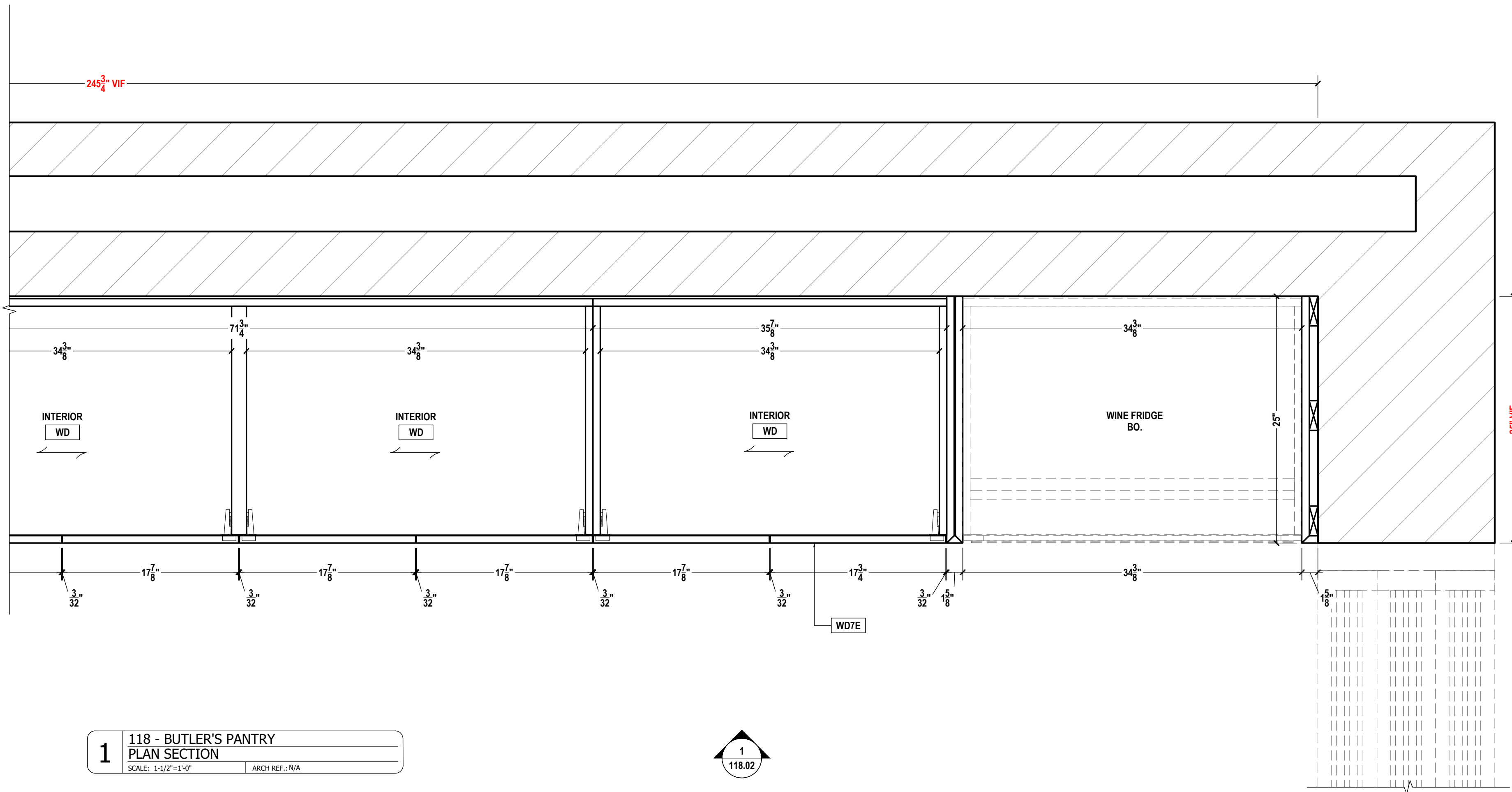
WOOD		GRAIN
KEY	COLOR	YES
WD7E	STAINED RIFT SAWN WHITE OAK	YES
INTERIOR FINISHES		GRAIN
KEY	COLOR	YES
WD	PREFINISHED MAPLE	YES
SPECIALS		GRAIN
KEY	COLOR	YES
MTL2A	METAL TO MATCH SVB RAW WHITE BRONZE	NO

PM:	-
DRAWN BY:	TMS
DATE DRAWN:	10/11/2024
REVIEWED BY:	-

REVISIONS:

No.	DATE:	DESCRIPTIONS:	BY:
△	-	-	-
△	-	-	-
△	-	-	-
△	-	-	-
△	-	-	-
△	-	-	-
△	-	-	-
△	-	-	-

APPROVAL DATE	-
PLOT DATE	11/13/2024
PROJECT NUMBER	-----
ROOM NAME	118 - PANTRY
SHEET NUMBER	118.16



245 3/4" VIF

25" VIF

1 118 - BUTLER'S PANTRY
 PLAN SECTION
 SCALE: 1-1/2" = 1'-0" ARCH REF.: N/A



QCP	YES <input type="checkbox"/>	NO <input checked="" type="checkbox"/>
LEED	YES <input type="checkbox"/>	NO <input checked="" type="checkbox"/>
FSC	YES <input type="checkbox"/>	NO <input checked="" type="checkbox"/>
NAUF	YES <input type="checkbox"/>	NO <input checked="" type="checkbox"/>

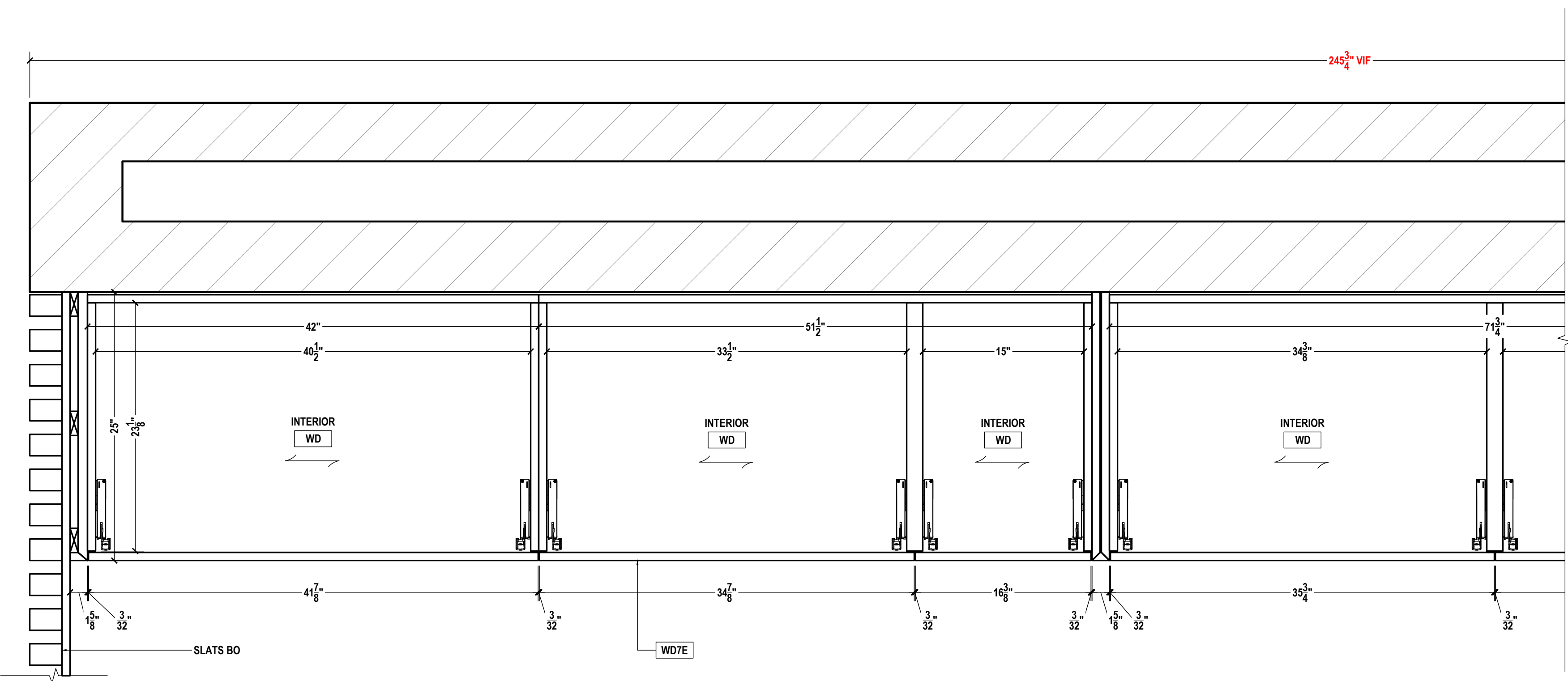
FINISHES:

KEY	WOOD COLOR	GRAIN
WD7E	STAINED RIFT SAWN WHITE OAK	YES
INTERIOR FINISHES		
KEY	COLOR	GRAIN
WD	PREFINISHED MAPLE	YES
SPECIALS		
KEY	COLOR	GRAIN
MTL2A	METAL TO MATCH SVB RAW WHITE BRONZE	NO

PM:	-
DRAWN BY:	TMS
DATE DRAWN:	10/11/2024
REVIEWED BY:	-

REVISIONS:			
No.	DATE	DESCRIPTIONS	BY:
△	-	-	-
△	-	-	-
△	-	-	-
△	-	-	-
△	-	-	-
△	-	-	-
△	-	-	-
△	-	-	-

APPROVAL DATE	-
PLOT DATE	11/13/2024
PROJECT NUMBER	-----
ROOM NAME	118 - PANTRY
SHEET NUMBER	118.17



1 118 - BUTLER'S PANTRY
 PLAN SECTION
 SCALE: 1-1/2"=1'-0" ARCH REF.: N/A



QCP	YES <input type="checkbox"/>	NO <input checked="" type="checkbox"/>
LEED	YES <input type="checkbox"/>	NO <input checked="" type="checkbox"/>
FSC	YES <input type="checkbox"/>	NO <input checked="" type="checkbox"/>
NAUF	YES <input type="checkbox"/>	NO <input checked="" type="checkbox"/>

FINISHES:

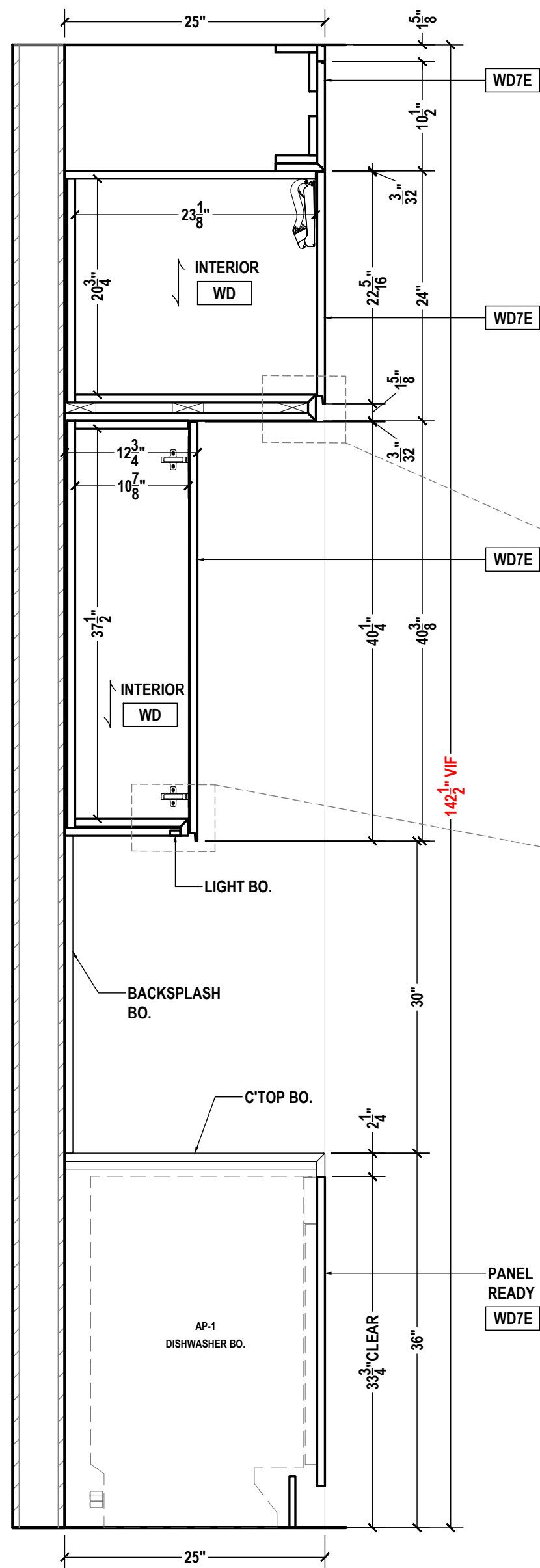
WOOD		
KEY	COLOR	GRAIN
WD7E	STAINED RIPT SAWN WHITE OAK	YES
INTERIOR FINISHES		
KEY	COLOR	GRAIN
WD	PREFINISHED MAPLE	YES
SPECIALS		
KEY	COLOR	GRAIN
MTL2A	METAL TO MATCH SVB RAW WHITE BRONZE	NO

PM:	-
DRAWN BY:	TMS
DATE DRAWN:	10/11/2024
REVIEWED BY:	-

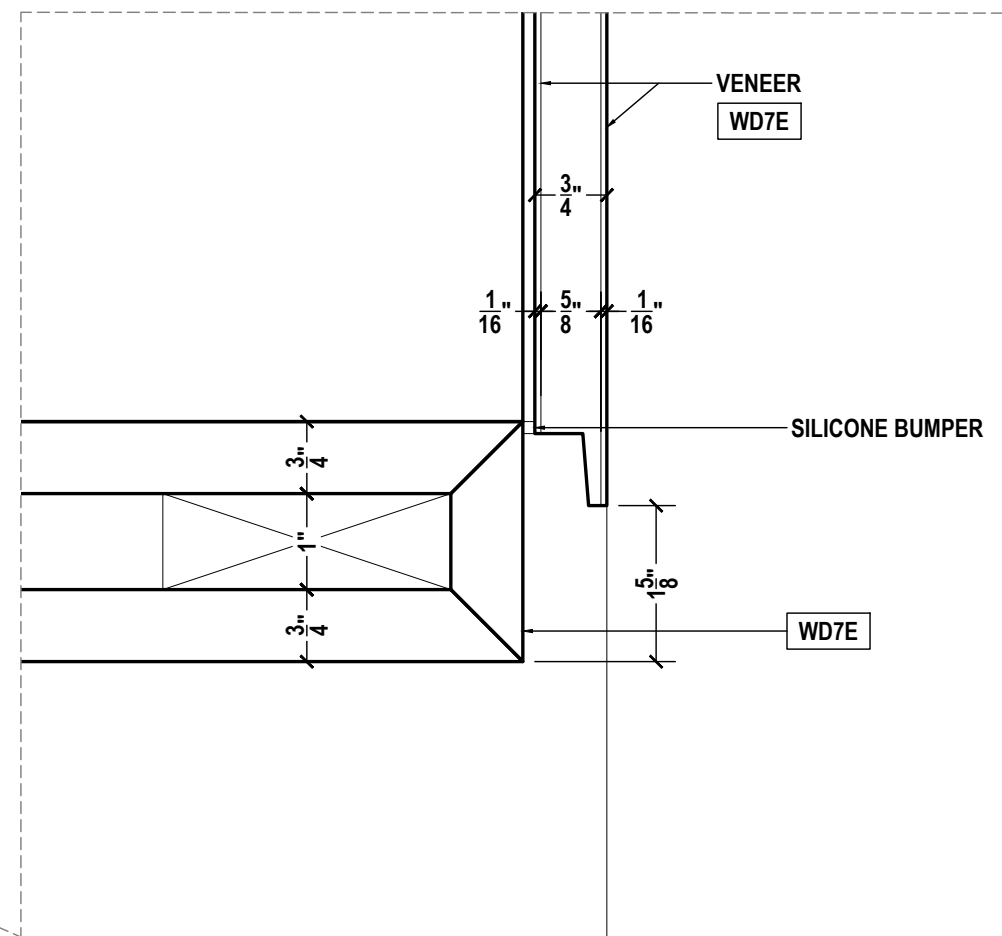
REVISIONS:

No.	DATE:	DESCRIPTIONS:	BY:
△	-	-	-
△	-	-	-
△	-	-	-
△	-	-	-
△	-	-	-
△	-	-	-
△	-	-	-
△	-	-	-

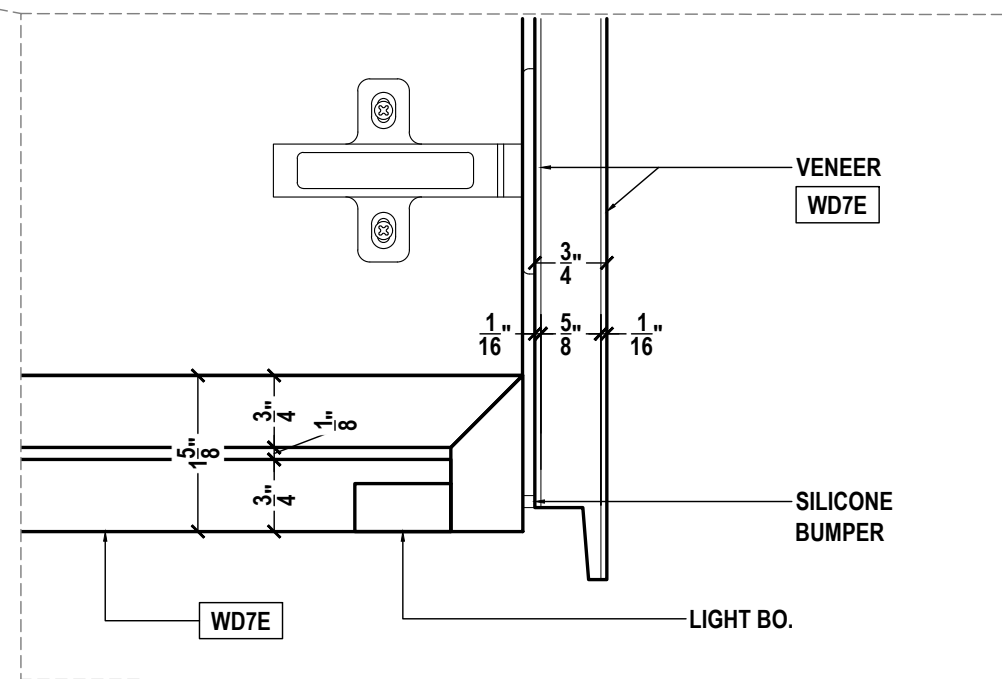
APPROVAL DATE	-
PLOT DATE	11/13/2024
PROJECT NUMBER	-----
ROOM NAME	118 - PANTRY
SHEET NUMBER	118.18



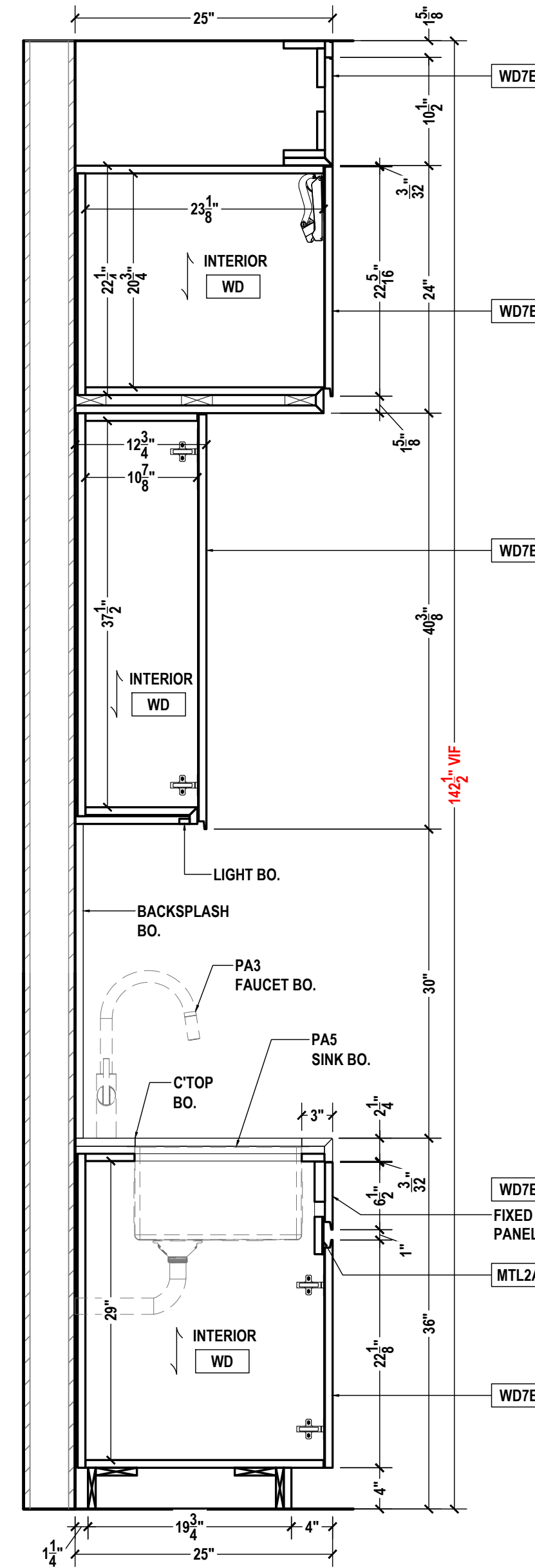
1 118 - BUTLER'S PANTRY SECTION
SCALE: 1"=1'-0" ARCH REF.: 1/A9.00



3 118 - BUTLER'S PANTRY DETAIL
SCALE: 6"=1'-0" ARCH REF.: 4/A9.20



4 118 - BUTLER'S PANTRY DETAIL
SCALE: 6"=1'-0" ARCH REF.: 5/A9.20



2 118 - BUTLER'S PANTRY SECTION
SCALE: 1"=1'-0" ARCH REF.: N/A



QCP	YES <input type="checkbox"/>	NO <input checked="" type="checkbox"/>
LEED	YES <input type="checkbox"/>	NO <input checked="" type="checkbox"/>
FSC	YES <input type="checkbox"/>	NO <input checked="" type="checkbox"/>
NAUF	YES <input type="checkbox"/>	NO <input checked="" type="checkbox"/>

FINISHES:

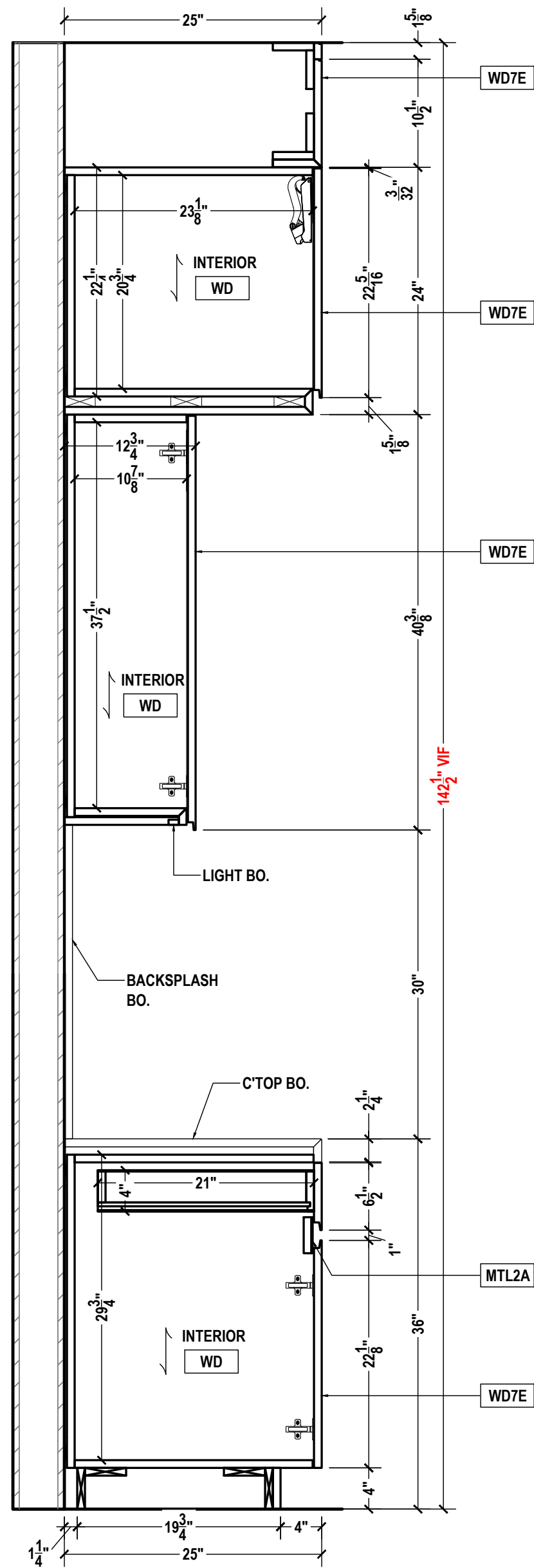
KEY	WOOD COLOR	GRAIN
WD7E	STAINED RIPT SAWN WHITE OAK	YES
KEY	INTERIOR FINISHES COLOR	GRAIN
WD	PREFINISHED MAPLE	YES
KEY	SPECIALS COLOR	GRAIN
MTL2A	METAL TO MATCH SVB RAW WHITE BRONZE	NO

PM:	-
DRAWN BY:	TMS
DATE DRAWN:	10/11/2024
REVIEWED BY:	-

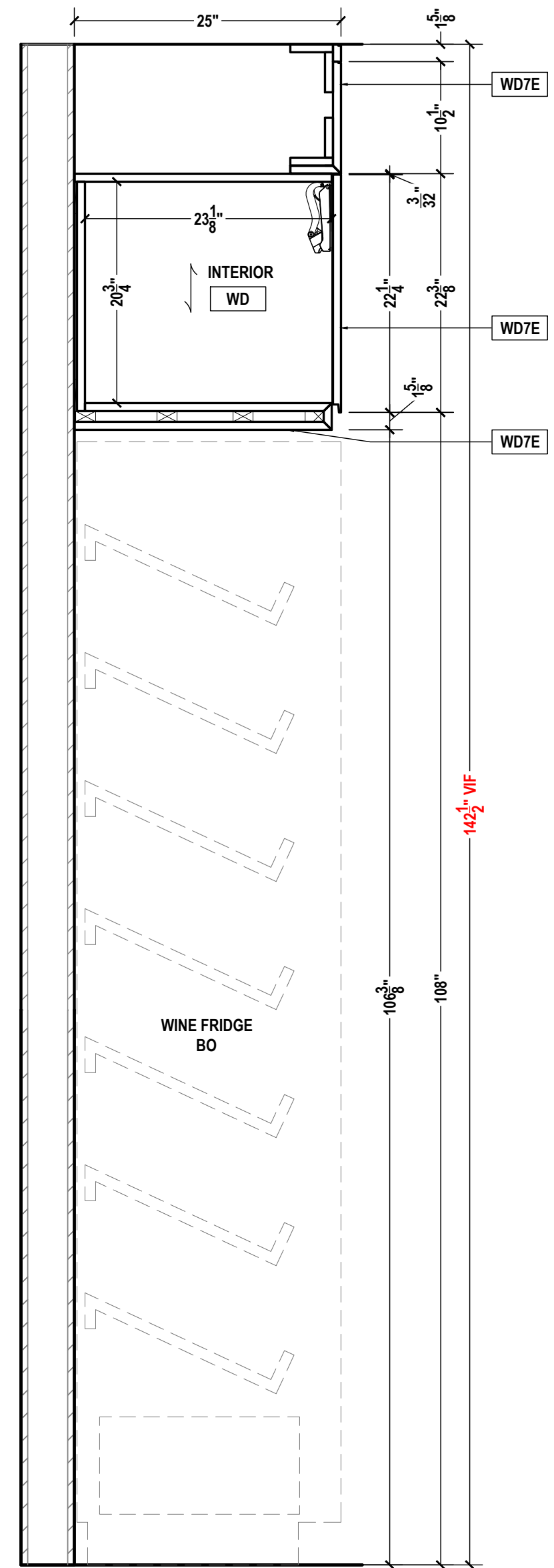
REVISIONS:

No.	DATE	DESCRIPTIONS	BY:
△	-	-	-
△	-	-	-
△	-	-	-
△	-	-	-
△	-	-	-
△	-	-	-
△	-	-	-
△	-	-	-

APPROVAL DATE	-
PLOT DATE	11/13/2024
PROJECT NUMBER	-----
ROOM NAME	118 - PANTRY
SHEET NUMBER	118.21



1 118 - BUTLER'S PANTRY SECTION
 SCALE: 1"=1'-0" ARCH REF.: N/A



2 118 - BUTLER'S PANTRY SECTION
 SCALE: 1"=1'-0" ARCH REF.: 2/A9.00



QCP	YES <input type="checkbox"/>	NO <input checked="" type="checkbox"/>
LEED	YES <input type="checkbox"/>	NO <input checked="" type="checkbox"/>
FSC	YES <input type="checkbox"/>	NO <input checked="" type="checkbox"/>
NAUF	YES <input type="checkbox"/>	NO <input checked="" type="checkbox"/>

FINISHES:

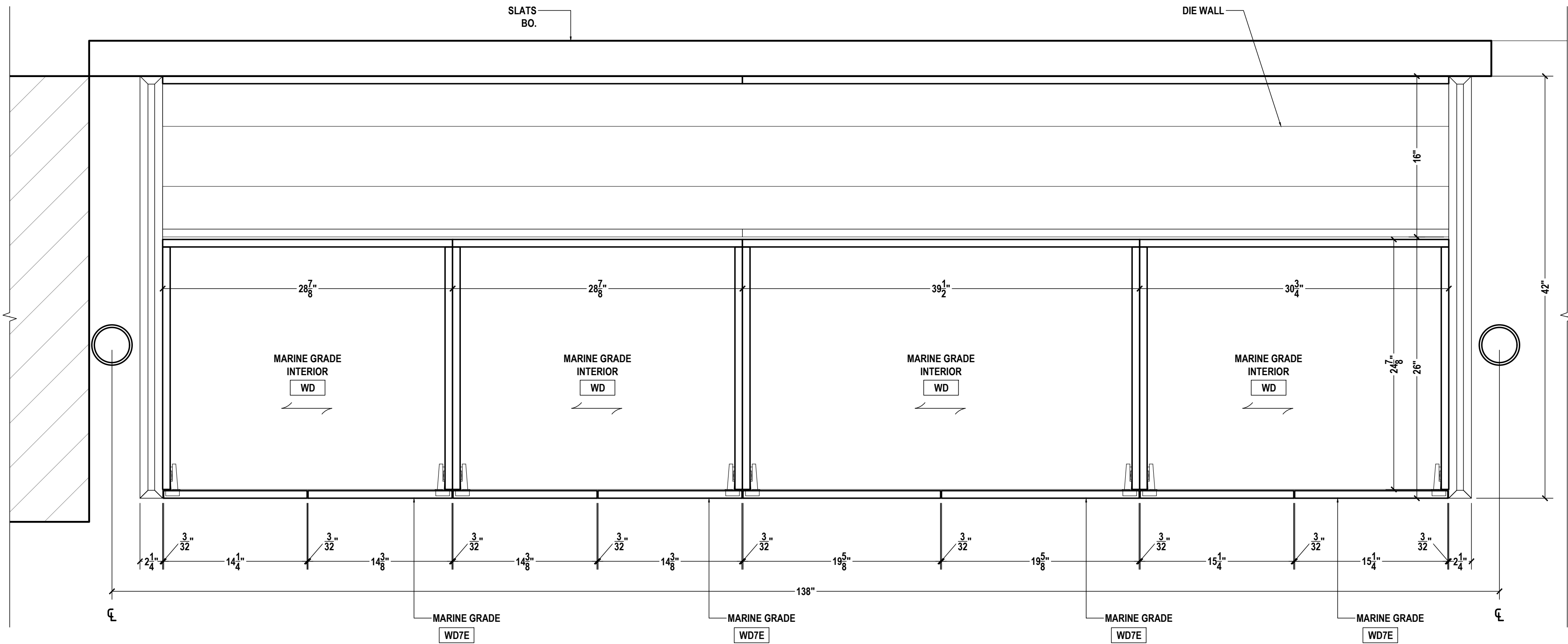
WOOD		
KEY	COLOR	GRAIN
WD7E	STAINED RIFT SAWN WHITE OAK	YES
INTERIOR FINISHES		
KEY	COLOR	GRAIN
WD	PREFINISHED MAPLE	YES
SPECIALS		
KEY	COLOR	GRAIN
MTL2A	METAL TO MATCH SVB RAW WHITE BRONZE	NO

PM:	-
DRAWN BY:	TMS
DATE DRAWN:	10/11/2024
REVIEWED BY:	-

REVISIONS:

No.	DATE:	DESCRIPTIONS:	BY:
△	-	-	-
△	-	-	-
△	-	-	-
△	-	-	-
△	-	-	-
△	-	-	-
△	-	-	-
△	-	-	-

APPROVAL DATE	-
PLOT DATE	11/13/2024
PROJECT NUMBER	-----
ROOM NAME	118 - PANTRY
SHEET NUMBER	118.22



1 118 - BUTLER'S PANTRY
 PLAN SECTION
 SCALE: 1-1/2"=1'-0" ARCH REF.: N/A



QCP	YES <input type="checkbox"/>	NO <input checked="" type="checkbox"/>
LEED	YES <input type="checkbox"/>	NO <input checked="" type="checkbox"/>
FSC	YES <input type="checkbox"/>	NO <input checked="" type="checkbox"/>
NAUF	YES <input type="checkbox"/>	NO <input checked="" type="checkbox"/>

FINISHES:

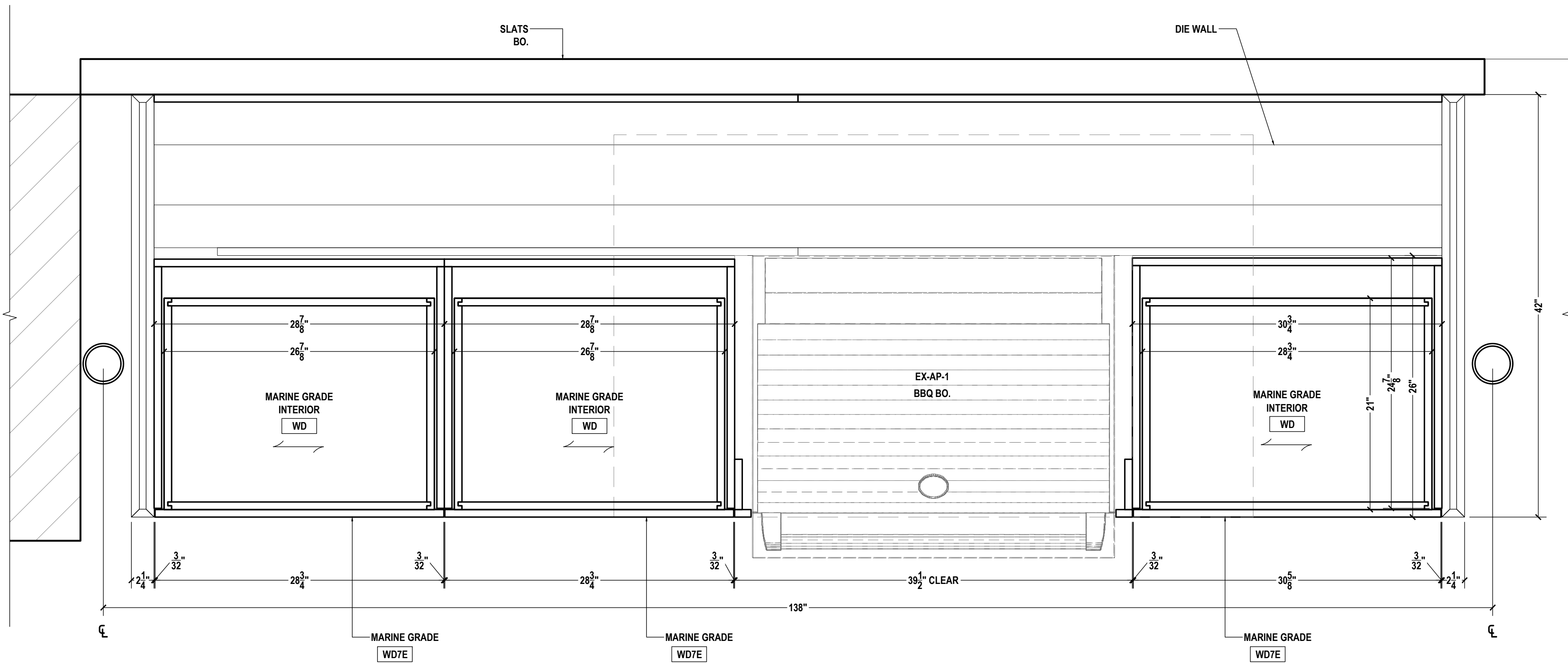
WOOD		GRAIN
KEY	COLOR	
WD7E	STAINED RIFT SAWN WHITE OAK	YES
INTERIOR FINISHES		GRAIN
KEY	COLOR	
WD	PREFINISHED MAPLE	YES
SPECIALS		GRAIN
KEY	COLOR	
MTL2A	METAL TO MATCH SVB RAW WHITE BRONZE	NO

PM:	-
DRAWN BY:	TMS
DATE DRAWN:	10/11/2024
REVIEWED BY:	-

REVISIONS:

No.	DATE:	DESCRIPTIONS:	BY:
△	-	-	-
△	-	-	-
△	-	-	-
△	-	-	-
△	-	-	-
△	-	-	-
△	-	-	-
△	-	-	-

APPROVAL DATE	-
PLOT DATE	11/13/2024
PROJECT NUMBER	-----
ROOM NAME	118 - PANTRY
SHEET NUMBER	118.23



QCP	YES <input type="checkbox"/>	NO <input checked="" type="checkbox"/>
LEED	YES <input type="checkbox"/>	NO <input checked="" type="checkbox"/>
FSC	YES <input type="checkbox"/>	NO <input checked="" type="checkbox"/>
NAUF	YES <input type="checkbox"/>	NO <input checked="" type="checkbox"/>

FINISHES:

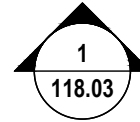
KEY	WOOD COLOR	GRAIN
WD7E	STAINED RIFT SAWN WHITE OAK	YES
INTERIOR FINISHES		
KEY	COLOR	GRAIN
WD	PREFINISHED MAPLE	YES
SPECIALS		
KEY	COLOR	GRAIN
MTL2A	METAL TO MATCH SVB RAW WHITE BRONZE	NO

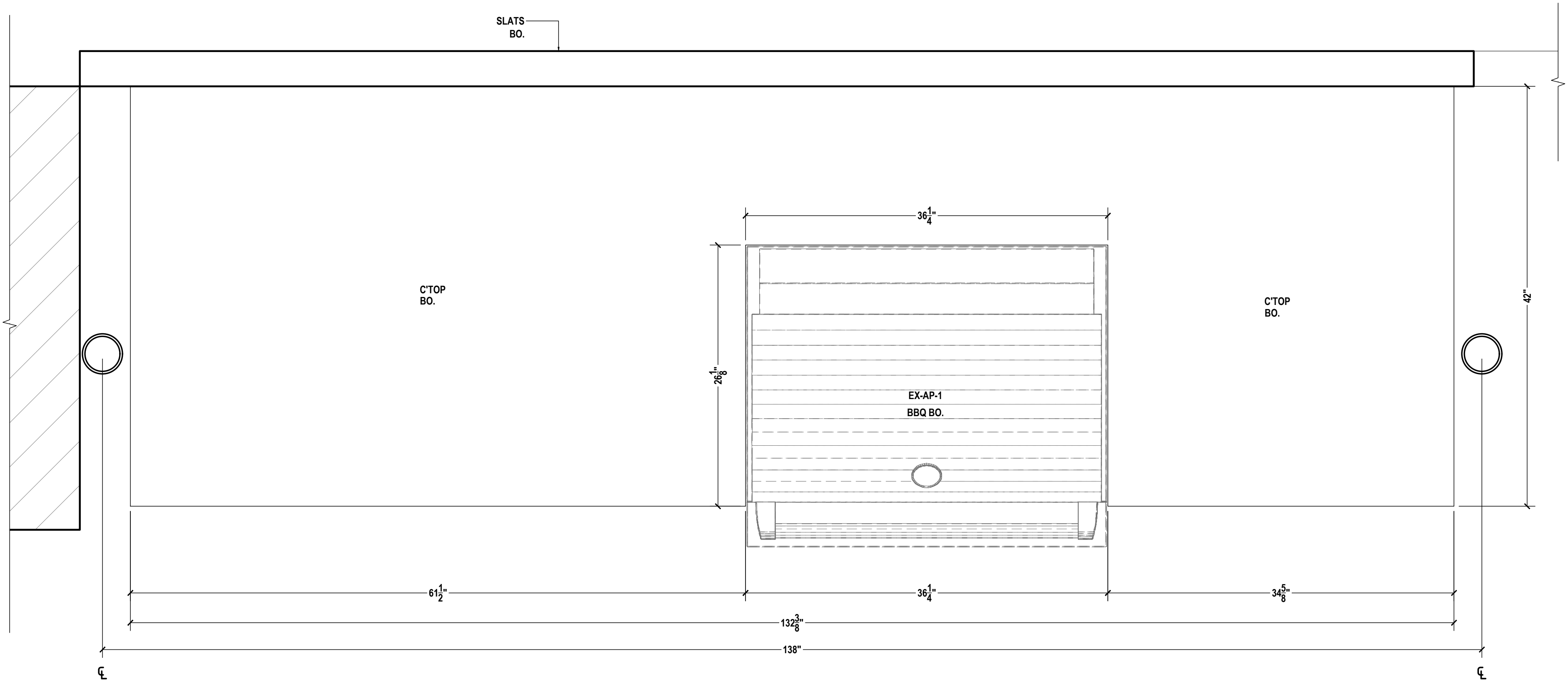
PM:	-
DRAWN BY:	TMS
DATE DRAWN:	10/11/2024
REVIEWED BY:	-

REVISIONS:			
No.	DATE	DESCRIPTIONS	BY:
△	-	-	-
△	-	-	-
△	-	-	-
△	-	-	-
△	-	-	-
△	-	-	-
△	-	-	-
△	-	-	-

APPROVAL DATE	-
PLOT DATE	11/13/2024
PROJECT NUMBER	-----
ROOM NAME	118 - PANTRY
SHEET NUMBER	118.24

1 118 - BUTLER'S PANTRY
 PLAN SECTION
 SCALE: 1-1/2"=1'-0" ARCH REF.: N/A





QCP	YES <input type="checkbox"/>	NO <input checked="" type="checkbox"/>
LEED	YES <input type="checkbox"/>	NO <input checked="" type="checkbox"/>
FSC	YES <input type="checkbox"/>	NO <input checked="" type="checkbox"/>
NAUF	YES <input type="checkbox"/>	NO <input checked="" type="checkbox"/>

FINISHES:

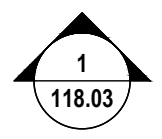
WOOD		
KEY	COLOR	GRAIN
W07E	STAINED RIFT SAWN WHITE OAK	YES
INTERIOR FINISHES		
KEY	COLOR	GRAIN
WD	PREFINISHED MAPLE	YES
SPECIALS		
KEY	COLOR	GRAIN
MTL2A	METAL TO MATCH SVB RAW WHITE BRONZE	NO

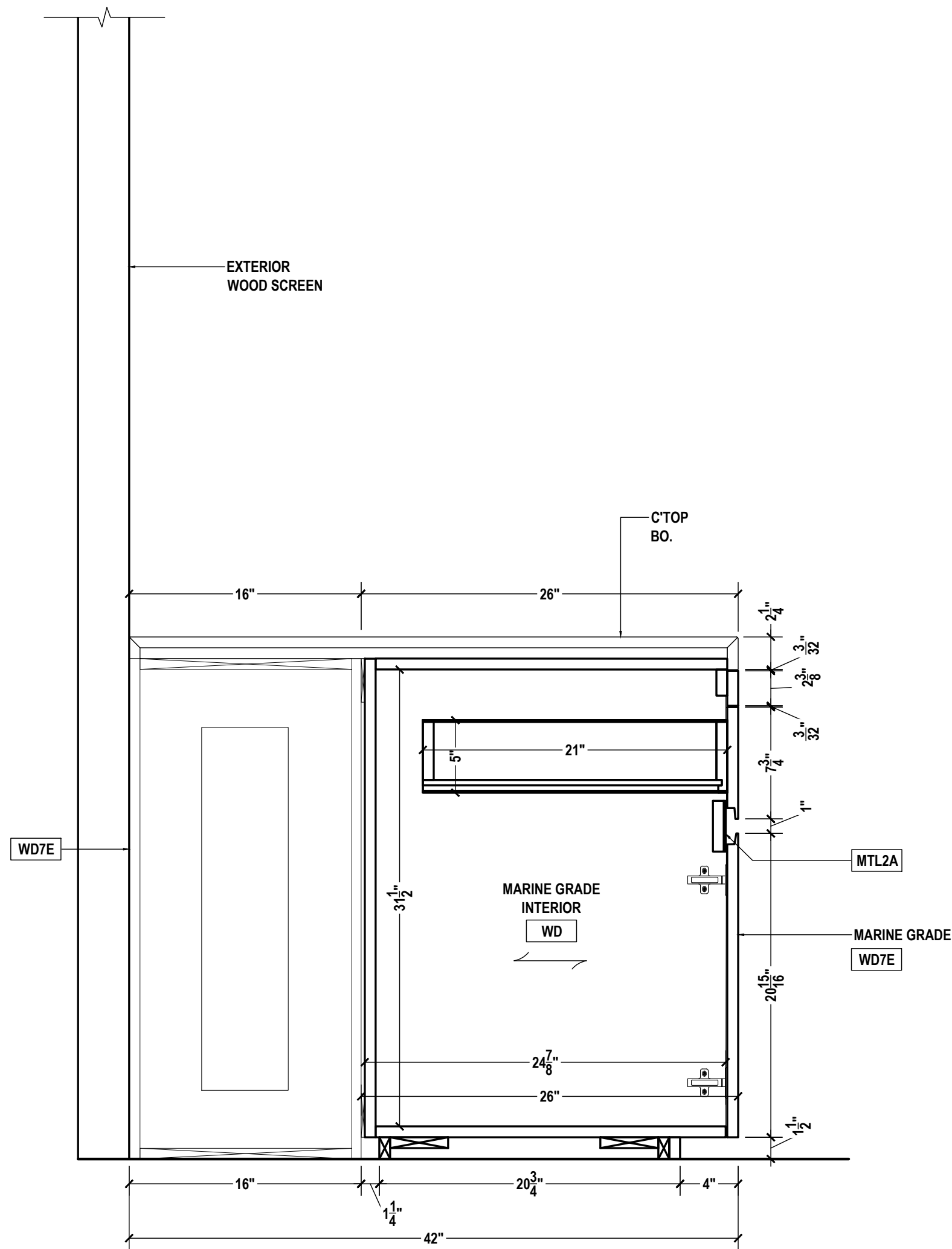
PM:	-
DRAWN BY:	TMS
DATE DRAWN:	10/11/2024
REVIEWED BY:	-

REVISIONS:			
No.	DATE:	DESCRIPTIONS:	BY:
△	-	-	-
△	-	-	-
△	-	-	-
△	-	-	-
△	-	-	-
△	-	-	-
△	-	-	-
△	-	-	-

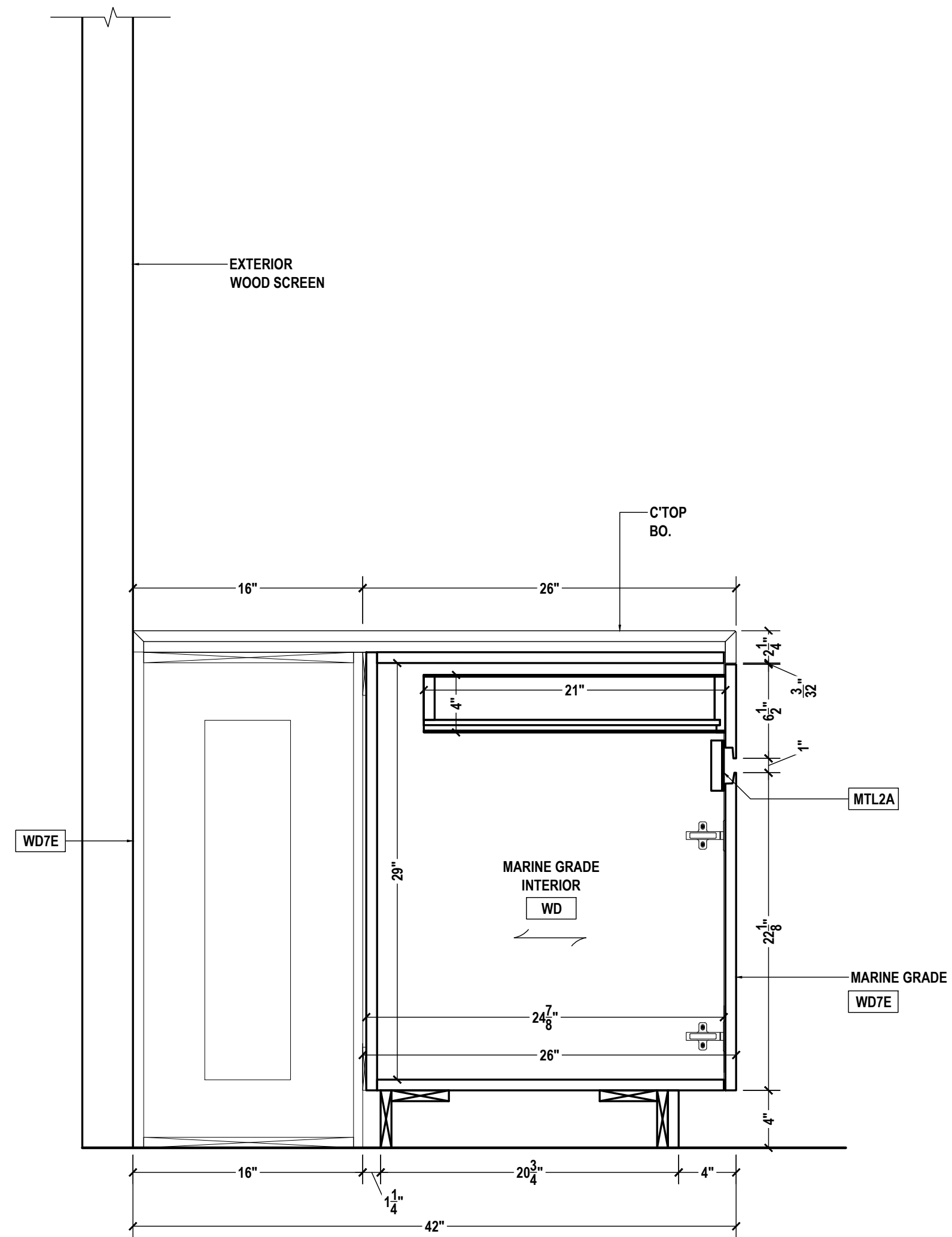
APPROVAL DATE	-
PLOT DATE	11/13/2024
PROJECT NUMBER	-----
ROOM NAME	118 - PANTRY
SHEET NUMBER	118.25

1 118 - BUTLER'S PANTRY
 PLAN SECTION
 SCALE: 1-1/2"=1'-0" ARCH REF.: N/A





1 119 - KITCHEN
ELEVATION
SCALE: 1-1/2"=1'-0" ARCH REF.: N/A



2 119 - KITCHEN
ELEVATION
SCALE: 1-1/2"=1'-0" ARCH REF.: G/A9.01



QCP	YES <input type="checkbox"/>	NO <input checked="" type="checkbox"/>
LEED	YES <input type="checkbox"/>	NO <input checked="" type="checkbox"/>
FSC	YES <input type="checkbox"/>	NO <input checked="" type="checkbox"/>
NAUF	YES <input type="checkbox"/>	NO <input checked="" type="checkbox"/>

FINISHES:

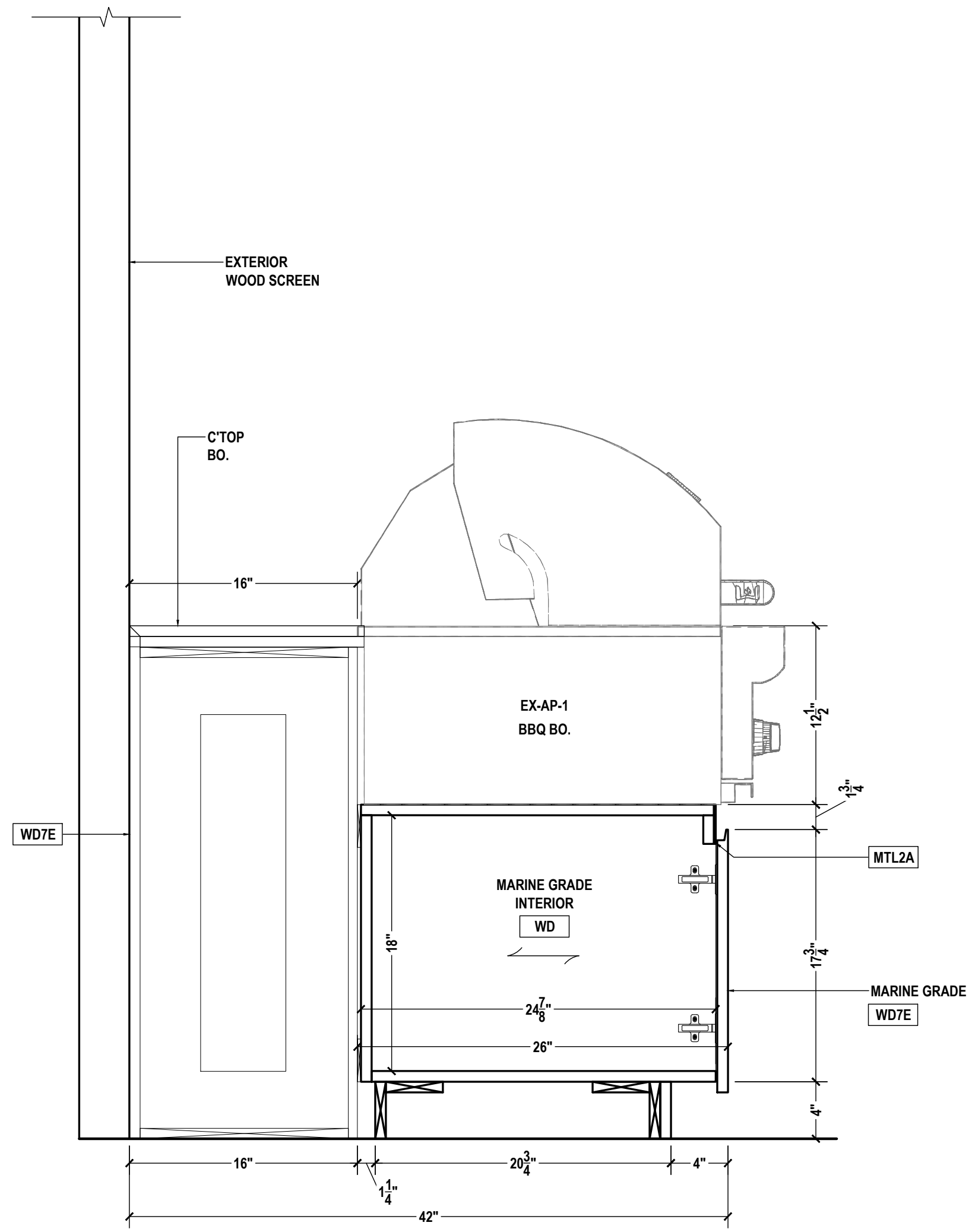
KEY	WOOD COLOR	GRAIN
WD7E	STAINED RIFT SAWN WHITE OAK	YES
KEY	INTERIOR FINISHES COLOR	GRAIN
WD	PREFINISHED MAPLE	YES
KEY	SPECIALS COLOR	GRAIN
MTL2A	METAL TO MATCH SVB RAW WHITE BRONZE	NO

PM:	-
DRAWN BY:	TMS
DATE DRAWN:	10/11/2024
REVIEWED BY:	-

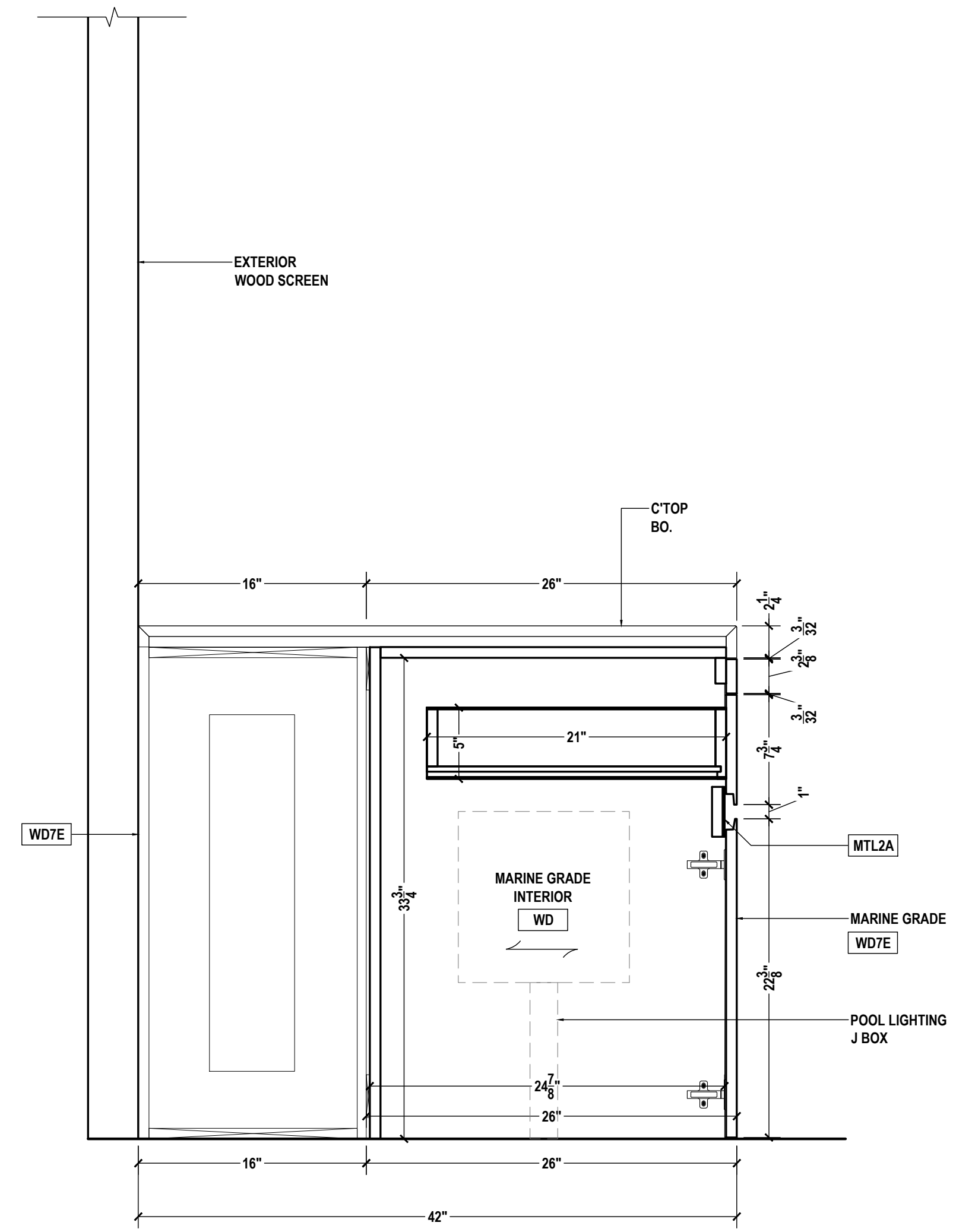
REVISIONS:

No.	DATE	DESCRIPTIONS	BY:
△	-	-	-
△	-	-	-
△	-	-	-
△	-	-	-
△	-	-	-
△	-	-	-
△	-	-	-
△	-	-	-

APPROVAL DATE	-
PLOT DATE	11/13/2024
PROJECT NUMBER	-----
ROOM NAME	118 - PANTRY
SHEET NUMBER	118.26



1 119 - KITCHEN
ELEVATION
SCALE: 1-1/2"=1'-0" ARCH REF.: N/A



2 119 - KITCHEN
ELEVATION
SCALE: 1-1/2"=1'-0" ARCH REF.: N/A

	QCP	YES <input type="checkbox"/>	NO <input checked="" type="checkbox"/>
	LEED	YES <input type="checkbox"/>	NO <input checked="" type="checkbox"/>
	FSC	YES <input type="checkbox"/>	NO <input checked="" type="checkbox"/>
	NAUF	YES <input type="checkbox"/>	NO <input checked="" type="checkbox"/>

FINISHES:

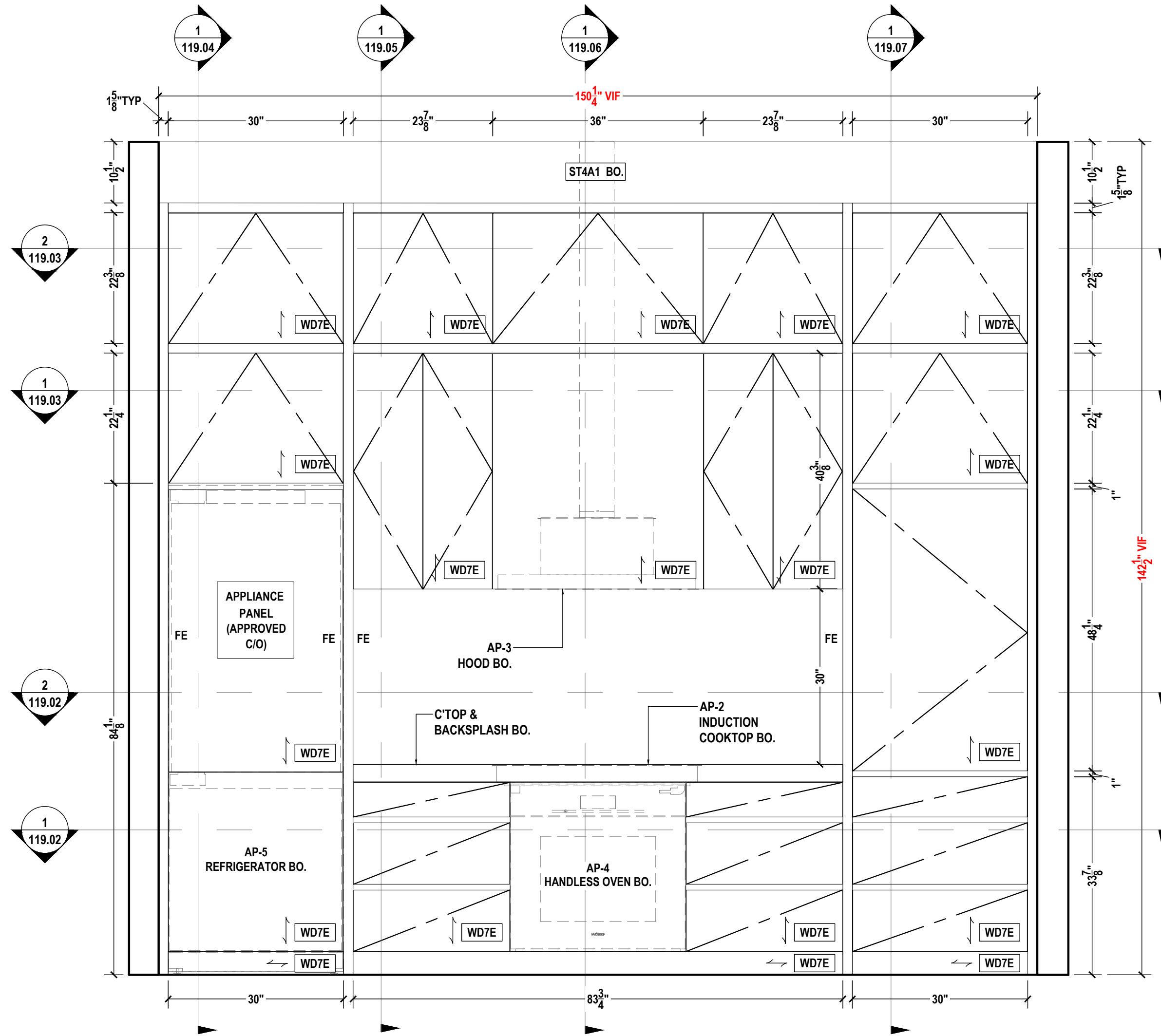
KEY	WOOD COLOR	GRAIN
WD7E	STAINED RIPT SAWN WHITE OAK	YES
KEY	INTERIOR FINISHES COLOR	GRAIN
WD	PREFINISHED MAPLE	YES
KEY	SPECIALS COLOR	GRAIN
MTL2A	METAL TO MATCH SVB RAW WHITE BRONZE	NO

PM:	-
DRAWN BY:	TMS
DATE DRAWN:	10/11/2024
REVIEWED BY:	-

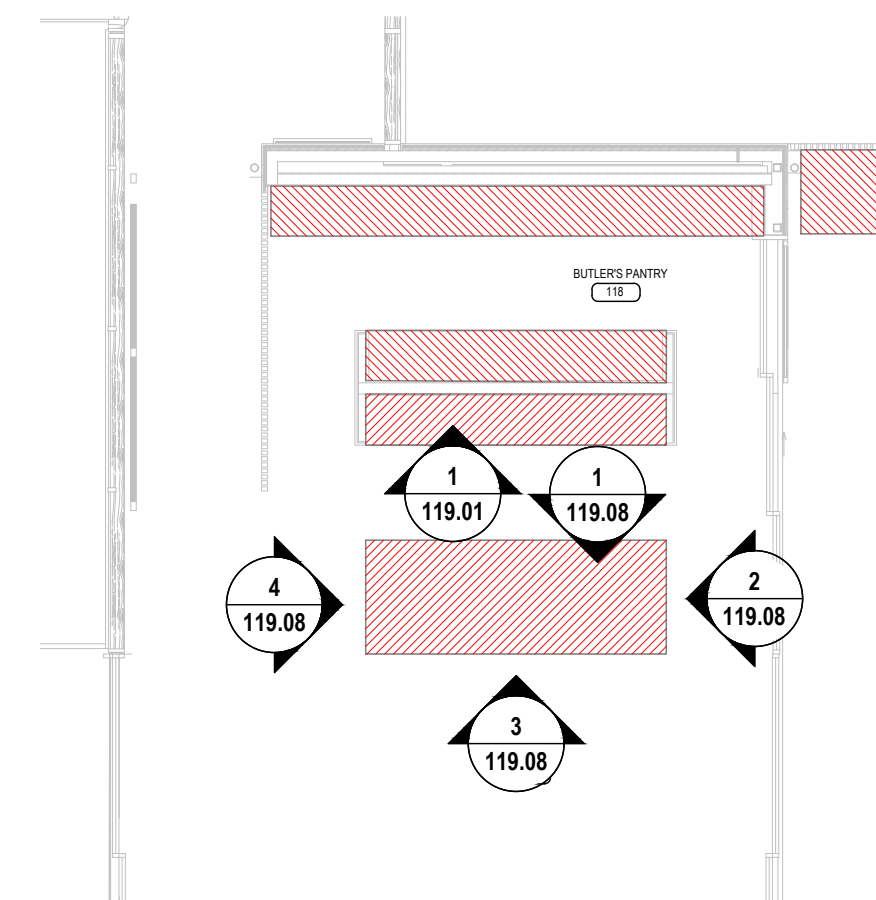
REVISIONS:

No.	DATE:	DESCRIPTIONS:	BY:
△	-	-	-
△	-	-	-
△	-	-	-
△	-	-	-
△	-	-	-
△	-	-	-
△	-	-	-
△	-	-	-

APPROVAL DATE	-
PLOT DATE	11/13/2024
PROJECT NUMBER	-----
ROOM NAME	118 - PANTRY
SHEET NUMBER	118.27



1 119 - KITCHEN ELEVATION
 SCALE: 3/4"=1'-0" ARCH REF.: 4/A5.00



QCP	YES <input type="checkbox"/>	NO <input checked="" type="checkbox"/>
LEED	YES <input type="checkbox"/>	NO <input checked="" type="checkbox"/>
FSC	YES <input type="checkbox"/>	NO <input checked="" type="checkbox"/>
NAUF	YES <input type="checkbox"/>	NO <input checked="" type="checkbox"/>

FINISHES:

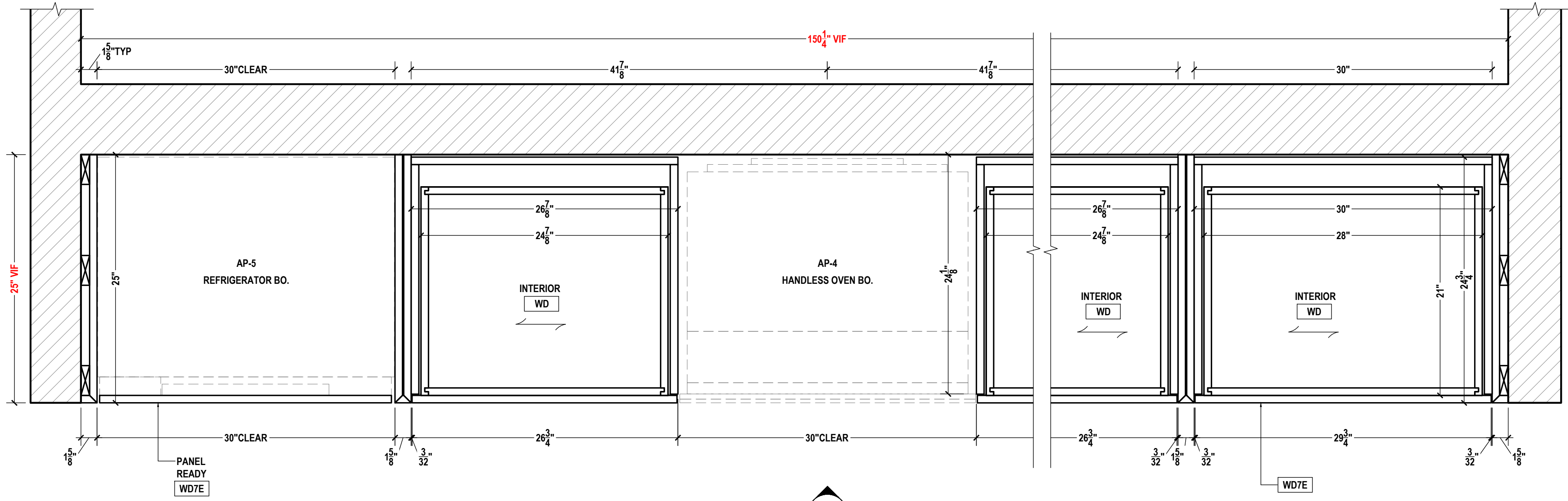
WOOD		
KEY	COLOR	GRAIN
WD7E	STAINED RIFT SAWN WHITE OAK	YES
INTERIOR FINISHES		
KEY	COLOR	GRAIN
WD	PREFINISHED MAPLE	YES
SPECIALS		
KEY	COLOR	GRAIN
MTL2A	METAL TO MATCH SVB RAW WHITE BRONZE	NO

PM:	-
DRAWN BY:	TMS
DATE DRAWN:	10/11/2024
REVIEWED BY:	-

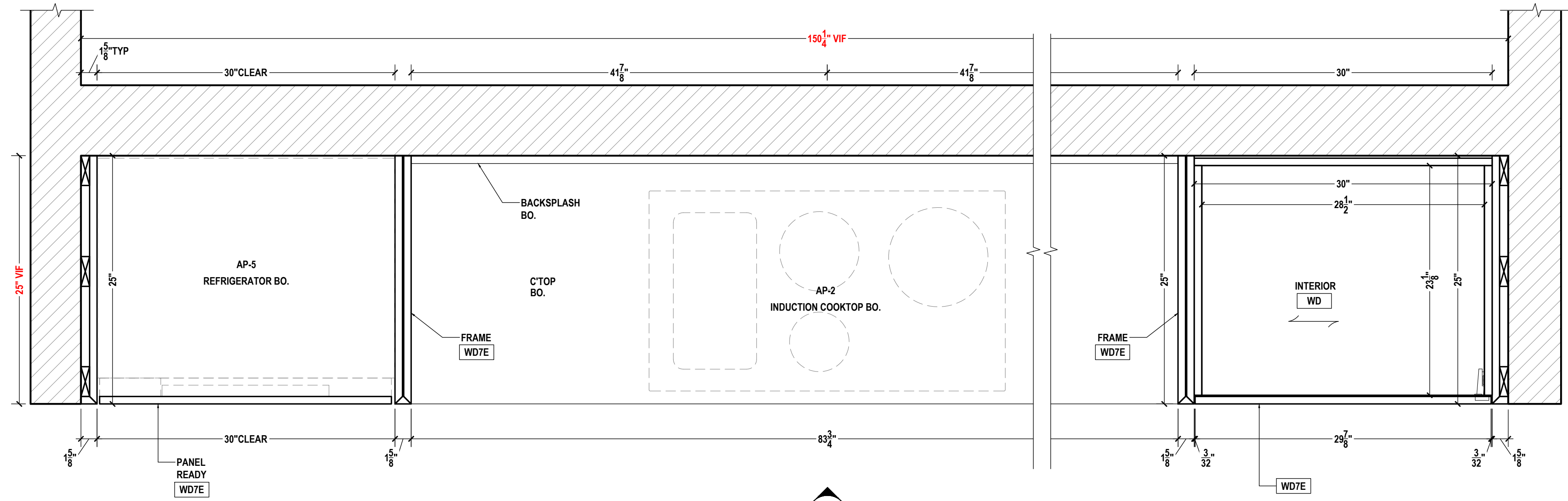
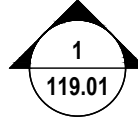
REVISIONS:

No.	DATE	DESCRIPTIONS	BY:
△	-	-	-
△	-	-	-
△	-	-	-
△	-	-	-
△	-	-	-
△	-	-	-
△	-	-	-
△	-	-	-
△	-	-	-

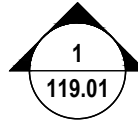
APPROVAL DATE	-
PLOT DATE	11/13/2024
PROJECT NUMBER	-----
ROOM NAME	119 - KITCHEN
SHEET NUMBER	119.01



1 119 - KITCHEN
 PLAN SECTION
 SCALE: 1-1/2"=1'-0" ARCH REF.: 1/A5.00



2 119 - KITCHEN
 PLAN SECTION
 SCALE: 1-1/2"=1'-0" ARCH REF.: 1/A5.00



	QCP	YES <input type="checkbox"/>	NO <input checked="" type="checkbox"/>
	LEED	YES <input type="checkbox"/>	NO <input checked="" type="checkbox"/>
	FSC	YES <input type="checkbox"/>	NO <input checked="" type="checkbox"/>
	NAUF	YES <input type="checkbox"/>	NO <input checked="" type="checkbox"/>

FINISHES:

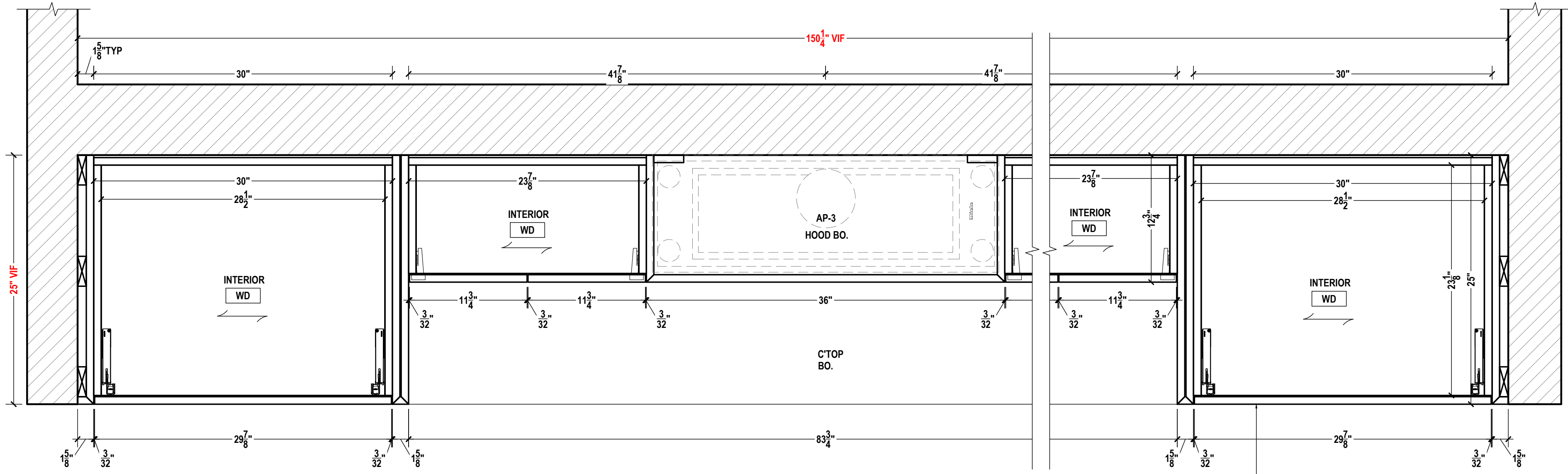
KEY	WOOD COLOR	GRAIN
WD7E	STAINED RIPT SAWN WHITE OAK	YES
KEY	INTERIOR FINISHES COLOR	GRAIN
WD	PREFINISHED MAPLE	YES
KEY	SPECIALS COLOR	GRAIN
MTL2A	METAL TO MATCH SVB RAW WHITE BRONZE	NO

PM:	-
DRAWN BY:	TMS
DATE DRAWN:	10/11/2024
REVIEWED BY:	-

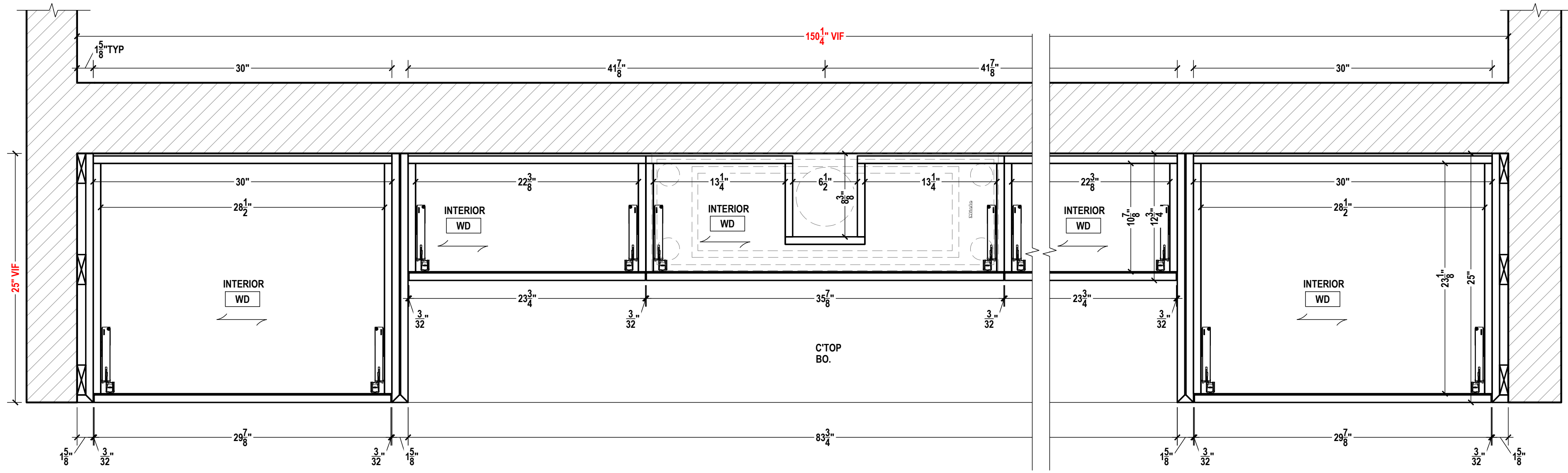
REVISIONS:

No.	DATE	DESCRIPTIONS	BY:
△	-	-	-
△	-	-	-
△	-	-	-
△	-	-	-
△	-	-	-
△	-	-	-
△	-	-	-
△	-	-	-

APPROVAL DATE	-
PLOT DATE	11/13/2024
PROJECT NUMBER	-----
ROOM NAME	119 - KITCHEN
SHEET NUMBER	119.02



1 119 - KITCHEN
 PLAN SECTION
 SCALE: 1-1/2"=1'-0" ARCH REF.: 1/A5.00



2 119 - KITCHEN
 PLAN SECTION
 SCALE: 1-1/2"=1'-0" ARCH REF.: 1/A5.00

	QCP	YES <input type="checkbox"/>	NO <input checked="" type="checkbox"/>
	LEED	YES <input type="checkbox"/>	NO <input checked="" type="checkbox"/>
	FSC	YES <input type="checkbox"/>	NO <input checked="" type="checkbox"/>
	NAUF	YES <input type="checkbox"/>	NO <input checked="" type="checkbox"/>

FINISHES:

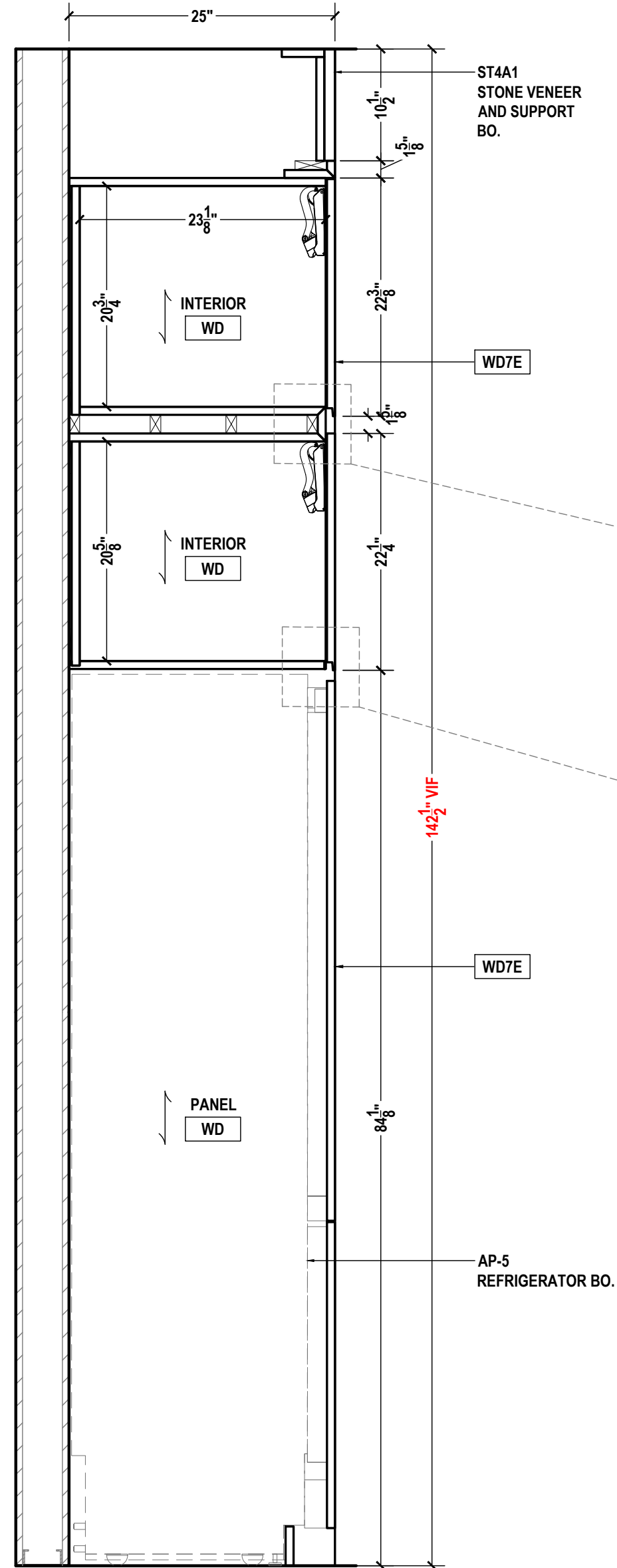
KEY	WOOD COLOR	GRAIN
WD7E	STAINED RIPT SAWN WHITE OAK	YES
KEY	INTERIOR FINISHES COLOR	GRAIN
WD	PREFINISHED MAPLE	YES
KEY	SPECIALS COLOR	GRAIN
MTL2A	METAL TO MATCH SVB RAW WHITE BRONZE	NO

PM:	-
DRAWN BY:	TMS
DATE DRAWN:	10/11/2024
REVIEWED BY:	-

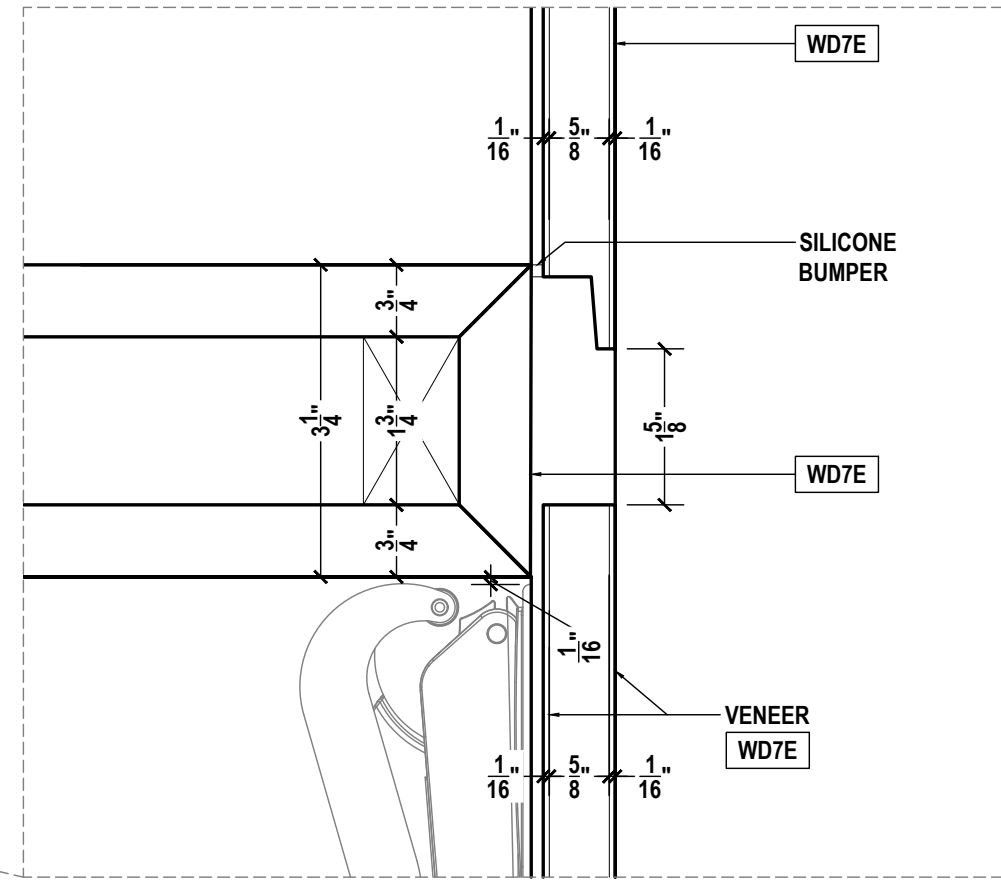
REVISIONS:

No.	DATE	DESCRIPTIONS	BY:
△	-	-	-
△	-	-	-
△	-	-	-
△	-	-	-
△	-	-	-
△	-	-	-
△	-	-	-
△	-	-	-

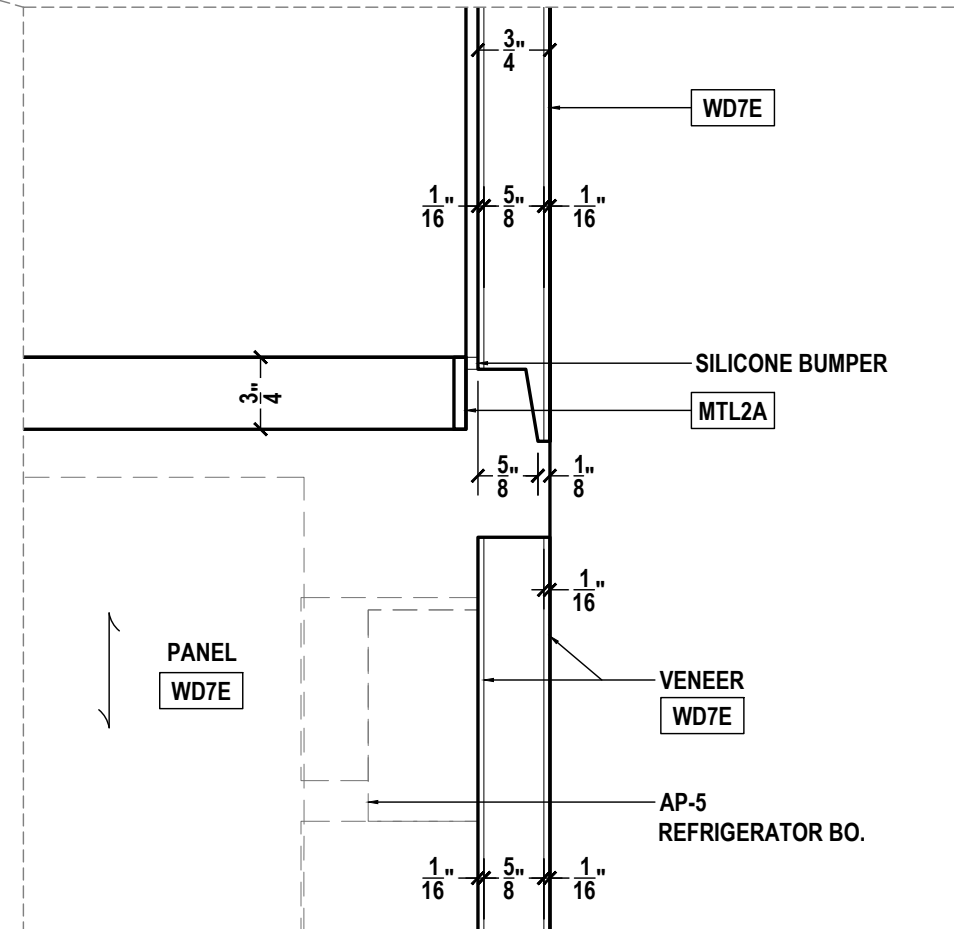
APPROVAL DATE	-
PLOT DATE	11/13/2024
PROJECT NUMBER	-----
ROOM NAME	119 - KITCHEN
SHEET NUMBER	119.03



1 119 - KITCHEN SECTION
SCALE: 1"=1'-0" ARCH REF.: 3/A9.01



2 119 - KITCHEN DETAIL
SCALE: 6"=1'-0" ARCH REF.: 3/A9.20



3 119 - KITCHEN DETAIL
SCALE: 6"=1'-0" ARCH REF.: 3/A9.20



QCP	YES <input type="checkbox"/>	NO <input checked="" type="checkbox"/>
LEED	YES <input type="checkbox"/>	NO <input checked="" type="checkbox"/>
FSC	YES <input type="checkbox"/>	NO <input checked="" type="checkbox"/>
NAUF	YES <input type="checkbox"/>	NO <input checked="" type="checkbox"/>

FINISHES:

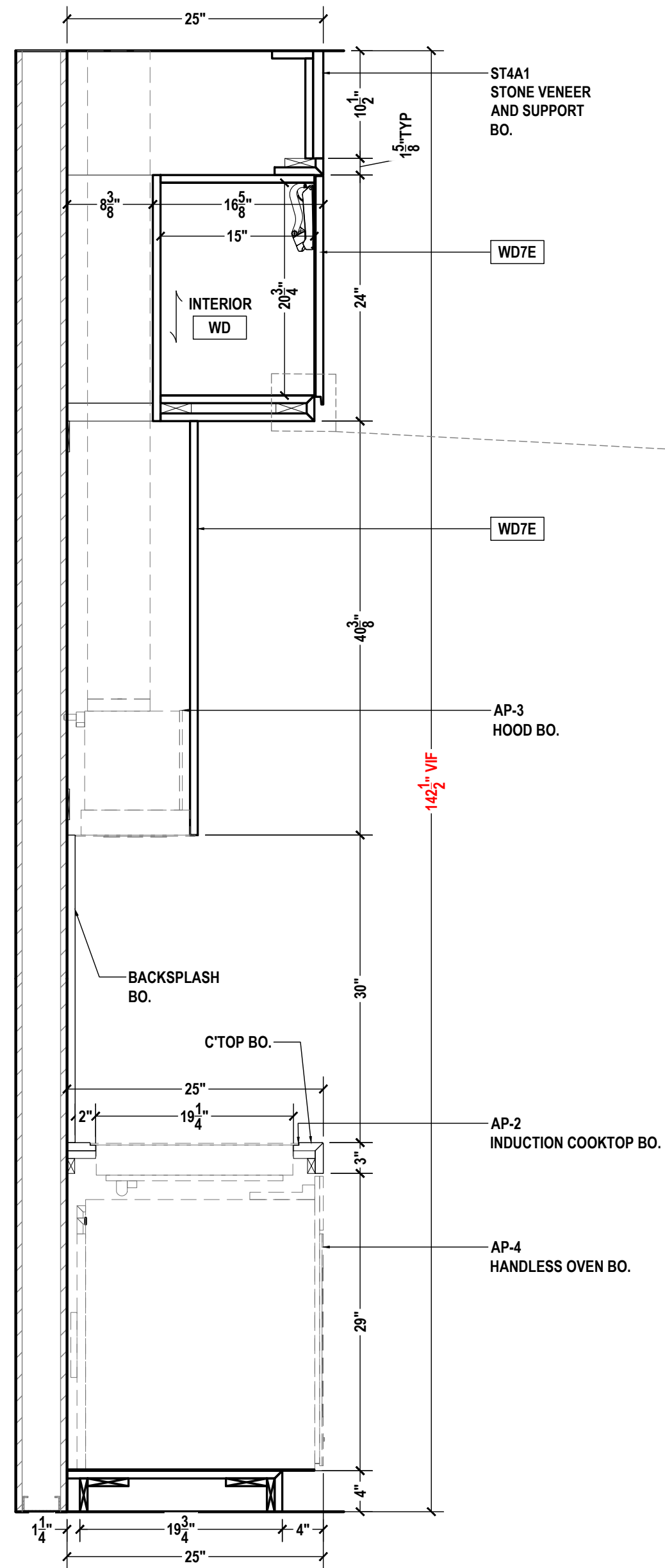
KEY	WOOD COLOR	GRAIN
WD7E	STAINED RIFT SAWN WHITE OAK	YES
INTERIOR FINISHES		
KEY	COLOR	GRAIN
WD	PREFINISHED MAPLE	YES
SPECIALS		
KEY	COLOR	GRAIN
MTL2A	METAL TO MATCH SVB RAW WHITE BRONZE	NO

PM:	-
DRAWN BY:	TMS
DATE DRAWN:	10/11/2024
REVIEWED BY:	-

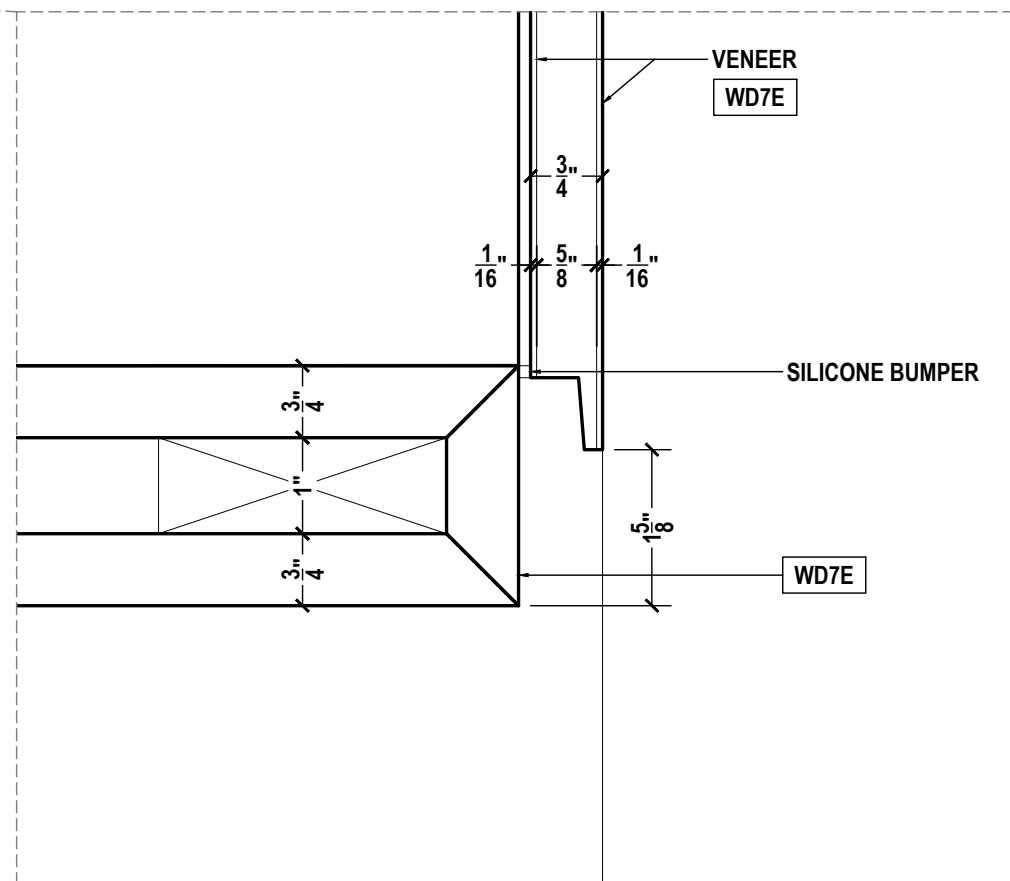
REVISIONS:

No.	DATE:	DESCRIPTIONS:	BY:
△	-	-	-
△	-	-	-
△	-	-	-
△	-	-	-
△	-	-	-
△	-	-	-
△	-	-	-
△	-	-	-

APPROVAL DATE	-
PLOT DATE	11/13/2024
PROJECT NUMBER	-----
ROOM NAME	119 - KITCHEN
SHEET NUMBER	119.04



1 119 - KITCHEN SECTION
SCALE: 1"=1'-0" ARCH REF.: N/A



2 119 - KITCHEN DETAIL
SCALE: 6"=1'-0" ARCH REF.: 4/A9.20



QCP	YES <input type="checkbox"/>	NO <input checked="" type="checkbox"/>
LEED	YES <input type="checkbox"/>	NO <input checked="" type="checkbox"/>
FSC	YES <input type="checkbox"/>	NO <input checked="" type="checkbox"/>
NAUF	YES <input type="checkbox"/>	NO <input checked="" type="checkbox"/>

FINISHES:

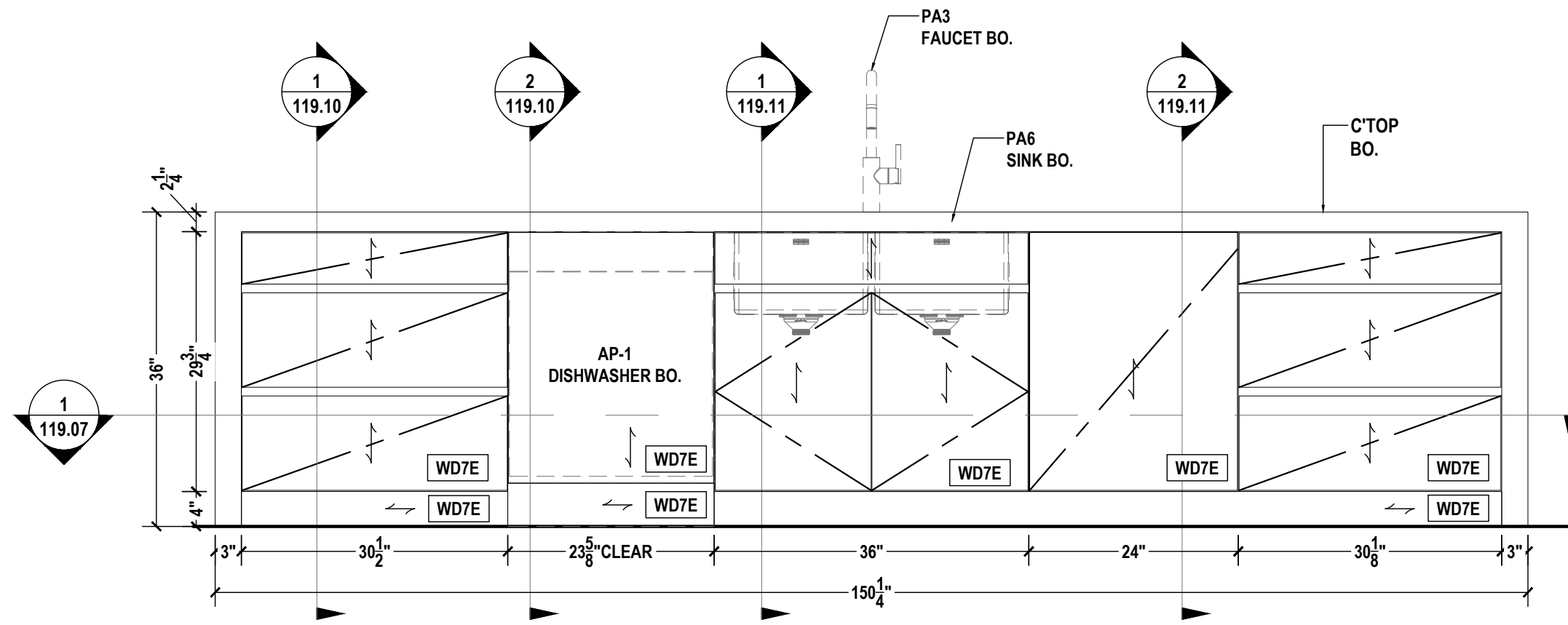
WOOD		
KEY	COLOR	GRAIN
WD7E	STAINED RIFT SAWN WHITE OAK	YES
INTERIOR FINISHES		
KEY	COLOR	GRAIN
WD	PREFINISHED MAPLE	YES
SPECIALS		
KEY	COLOR	GRAIN
MTL2A	METAL TO MATCH SVB RAW WHITE BRONZE	NO

PM:	-
DRAWN BY:	TMS
DATE DRAWN:	10/11/2024
REVIEWED BY:	-

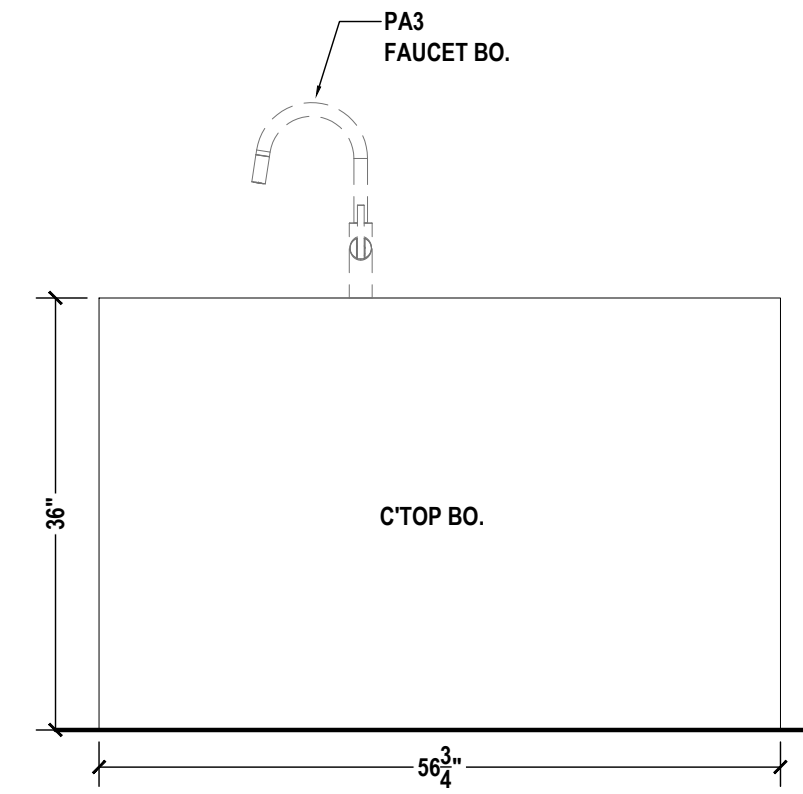
REVISIONS:

No.	DATE:	DESCRIPTIONS:	BY:
△	-	-	-
△	-	-	-
△	-	-	-
△	-	-	-
△	-	-	-
△	-	-	-
△	-	-	-

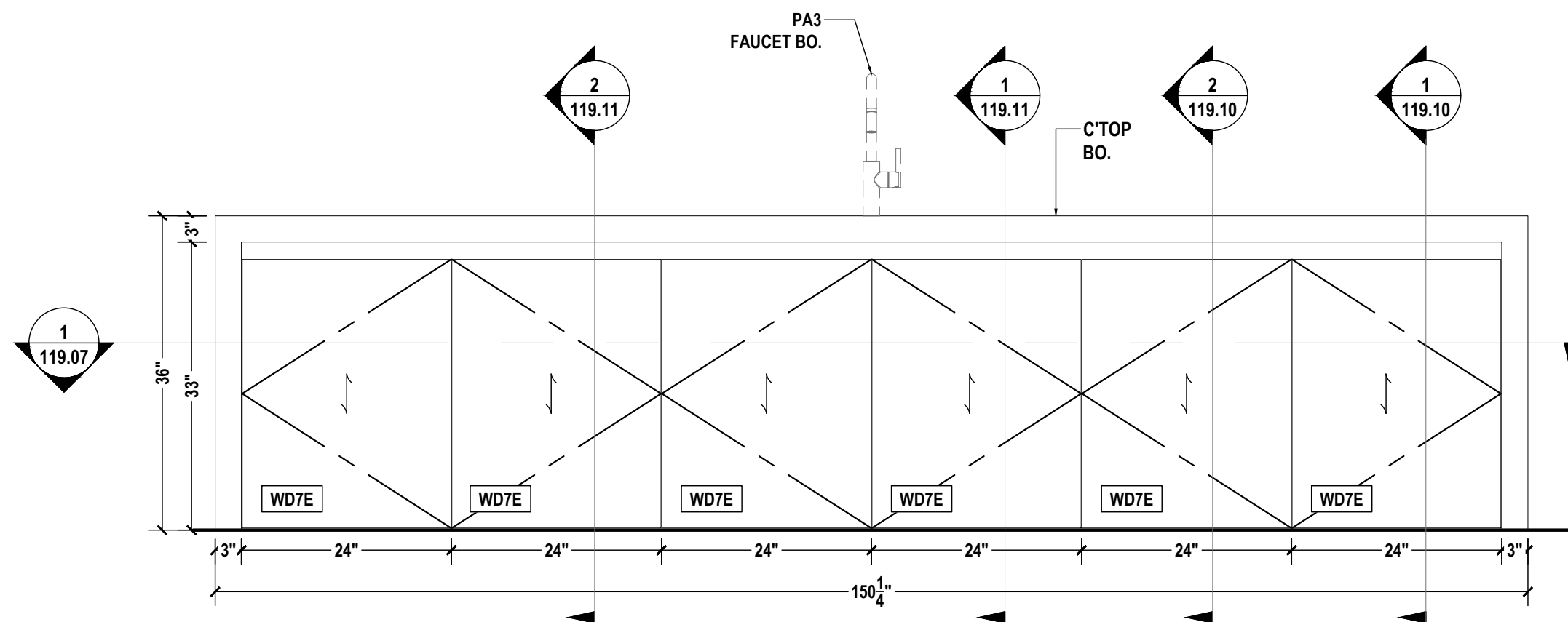
APPROVAL DATE	-
PLOT DATE	11/13/2024
PROJECT NUMBER	-----
ROOM NAME	119 - KITCHEN
SHEET NUMBER	119.06



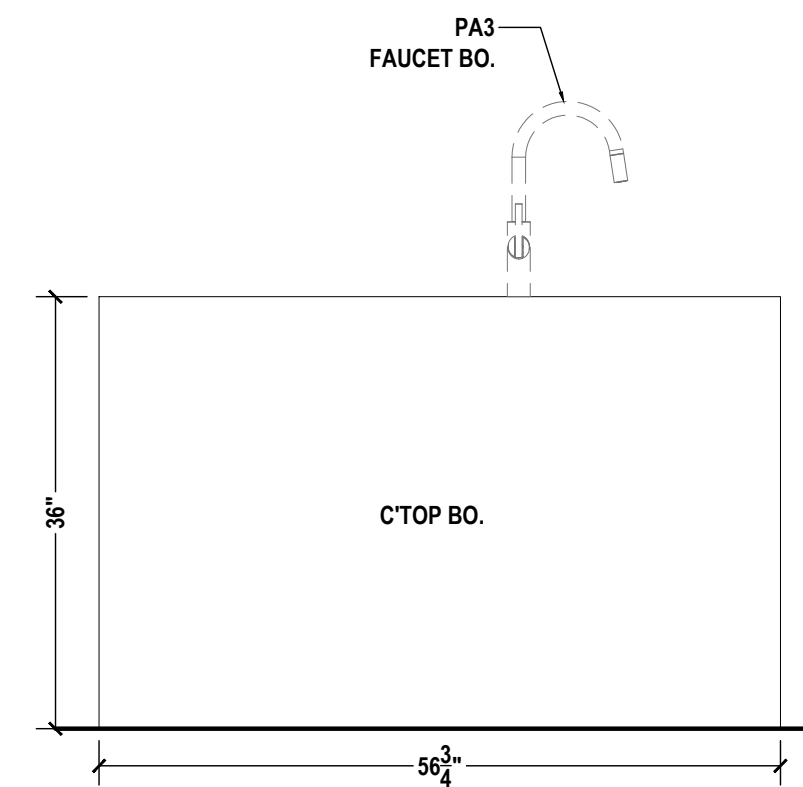
1 119 - KITCHEN ELEVATION
SCALE: 3/4"=1'-0" ARCH REF.: 3/A5.01



2 119 - KITCHEN ELEVATION
SCALE: 3/4"=1'-0" ARCH REF.: 1/A5.01



3 119 - KITCHEN ELEVATION
SCALE: 3/4"=1'-0" ARCH REF.: 2/A5.01



4 119 - KITCHEN ELEVATION
SCALE: 3/4"=1'-0" ARCH REF.: 4/A5.01



QCP	YES <input type="checkbox"/>	NO <input checked="" type="checkbox"/>
LEED	YES <input type="checkbox"/>	NO <input checked="" type="checkbox"/>
FSC	YES <input type="checkbox"/>	NO <input checked="" type="checkbox"/>
NAUF	YES <input type="checkbox"/>	NO <input checked="" type="checkbox"/>

FINISHES:

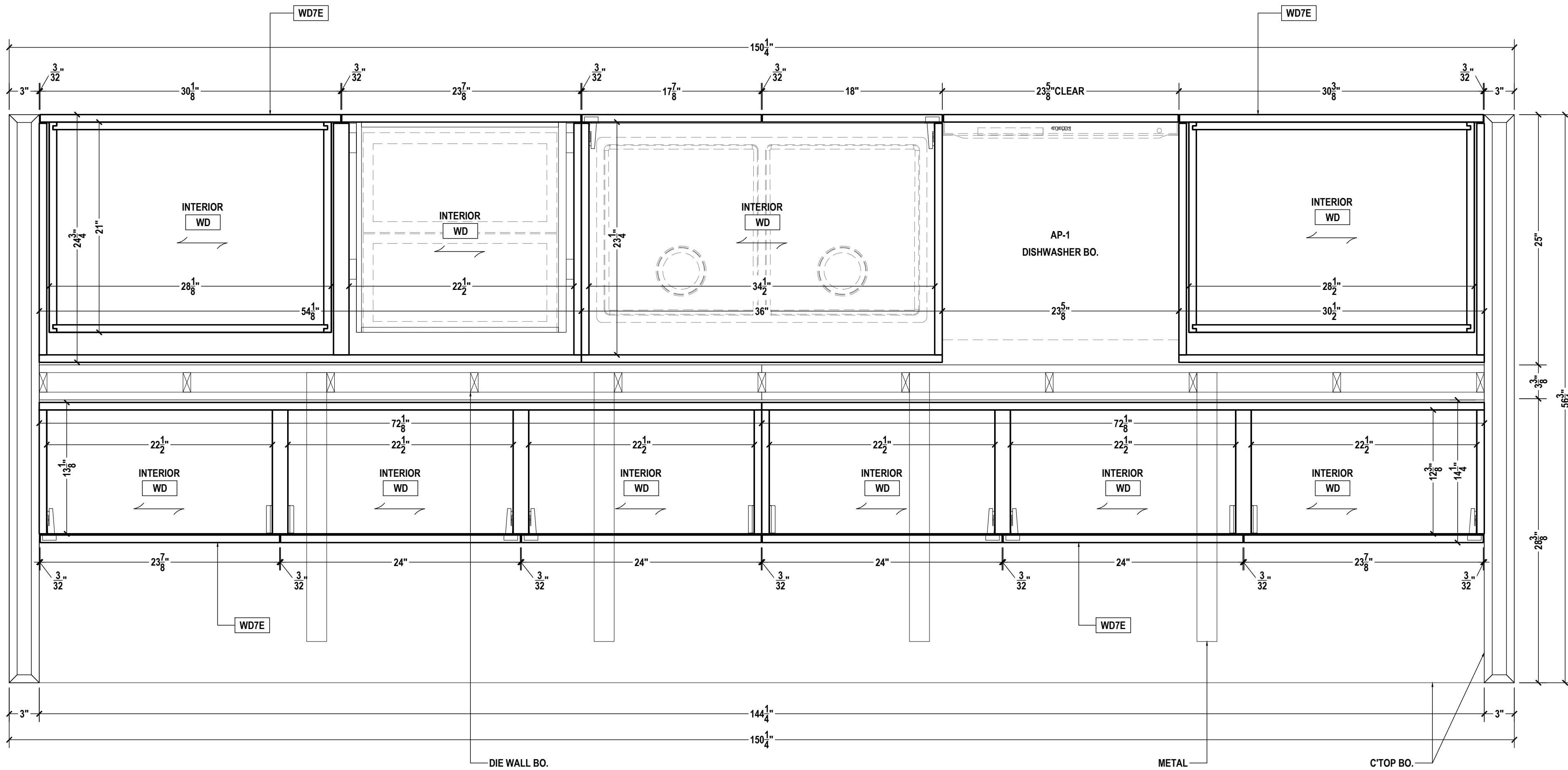
WOOD		GRAIN
KEY	COLOR	
WD7E	STAINED RIFT SAWN WHITE OAK	YES
INTERIOR FINISHES		GRAIN
KEY	COLOR	
WD	PREFINISHED MAPLE	YES
SPECIALS		GRAIN
KEY	COLOR	
MTL2A	METAL TO MATCH SVB RAW WHITE BRONZE	NO

PM:	-
DRAWN BY:	TMS
DATE DRAWN:	10/11/2024
REVIEWED BY:	-

REVISIONS:

No.	DATE:	DESCRIPTIONS:	BY:
△	-	-	-
△	-	-	-
△	-	-	-
△	-	-	-
△	-	-	-
△	-	-	-
△	-	-	-
△	-	-	-

APPROVAL DATE	-
PLOT DATE	11/13/2024
PROJECT NUMBER	-----
ROOM NAME	119 - KITCHEN
SHEET NUMBER	119.08



QCP	YES <input type="checkbox"/>	NO <input checked="" type="checkbox"/>
LEED	YES <input type="checkbox"/>	NO <input checked="" type="checkbox"/>
FSC	YES <input type="checkbox"/>	NO <input checked="" type="checkbox"/>
NAUF	YES <input type="checkbox"/>	NO <input checked="" type="checkbox"/>

FINISHES:

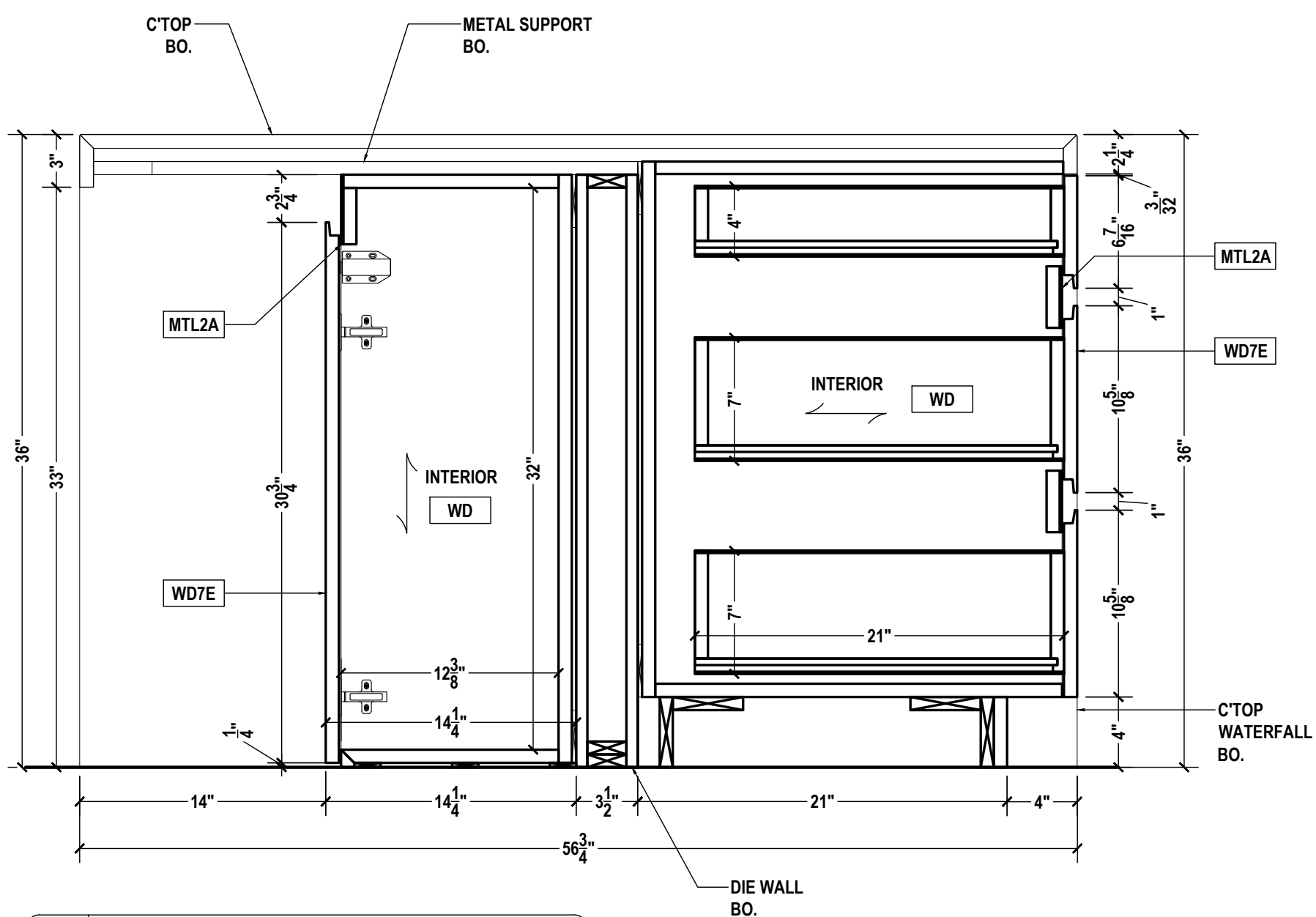
KEY	WOOD COLOR	GRAIN
WD7E	STAINED RIPT SAWN WHITE OAK	YES
INTERIOR FINISHES		
KEY	COLOR	GRAIN
WD	PREFINISHED MAPLE	YES
SPECIALS		
KEY	COLOR	GRAIN
MTL2A	METAL TO MATCH SVB RAW WHITE BRONZE	NO

PM:	-
DRAWN BY:	TMS
DATE DRAWN:	10/11/2024
REVIEWED BY:	-

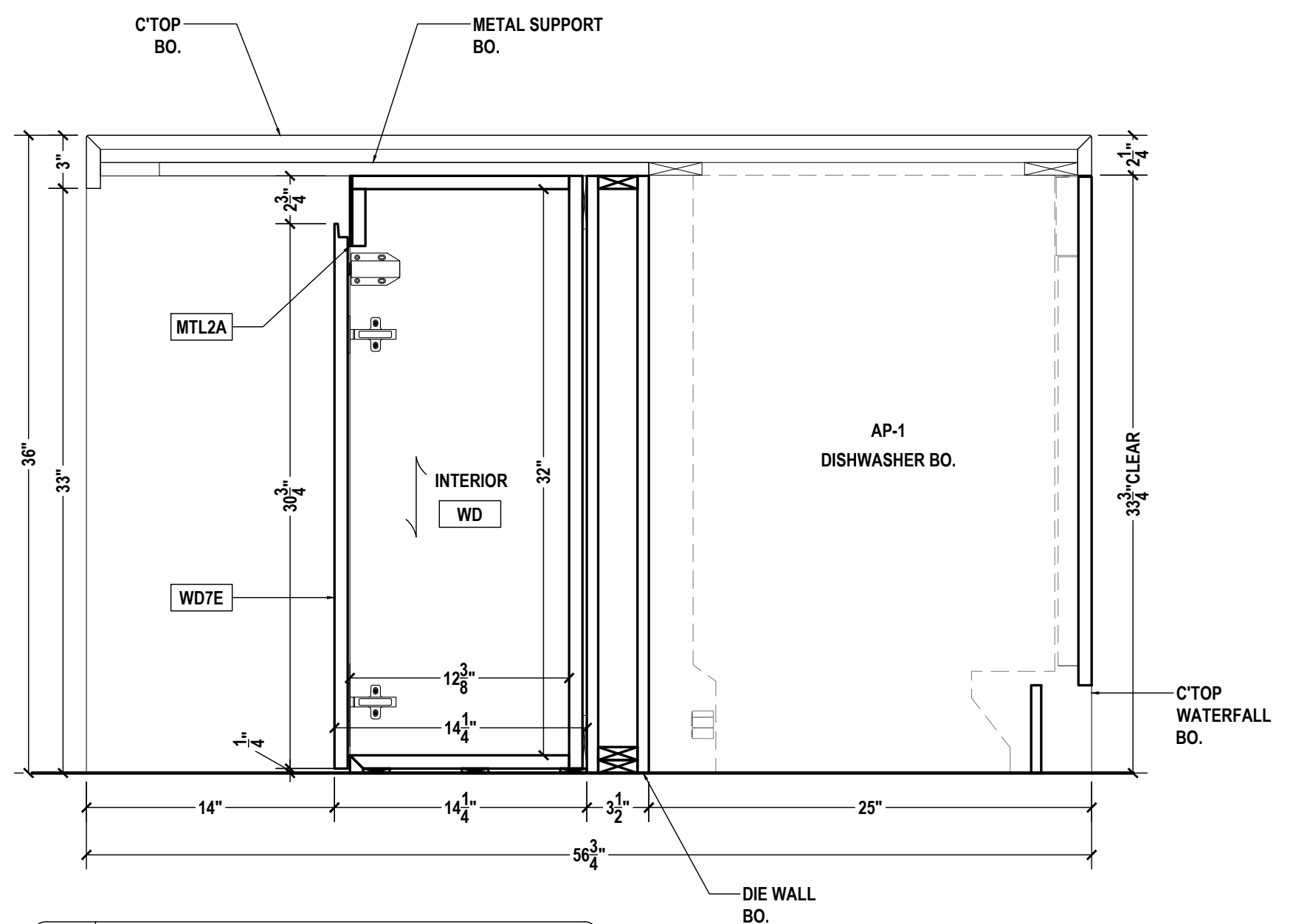
REVISIONS:			
No.	DATE	DESCRIPTIONS	BY:
△	-	-	-
△	-	-	-
△	-	-	-
△	-	-	-
△	-	-	-
△	-	-	-
△	-	-	-
△	-	-	-

APPROVAL DATE	-
PLOT DATE	11/13/2024
PROJECT NUMBER	-----
ROOM NAME	119 - KITCHEN
SHEET NUMBER	119.09

1 119 - KITCHEN
PLAN SECTION
SCALE: 1-1/2"=1'-0" ARCH REF.: 1/A5.00



1 119 - KITCHEN ELEVATION
 SCALE: 1-1/2"=1'-0" ARCH REF.: 4/A9.01



2 119 - KITCHEN ELEVATION
 SCALE: 1-1/2"=1'-0" ARCH REF.: N/A

	QCP	YES <input type="checkbox"/>	NO <input checked="" type="checkbox"/>
	LEED	YES <input type="checkbox"/>	NO <input checked="" type="checkbox"/>
	FSC	YES <input type="checkbox"/>	NO <input checked="" type="checkbox"/>
	NAUF	YES <input type="checkbox"/>	NO <input checked="" type="checkbox"/>

FINISHES:

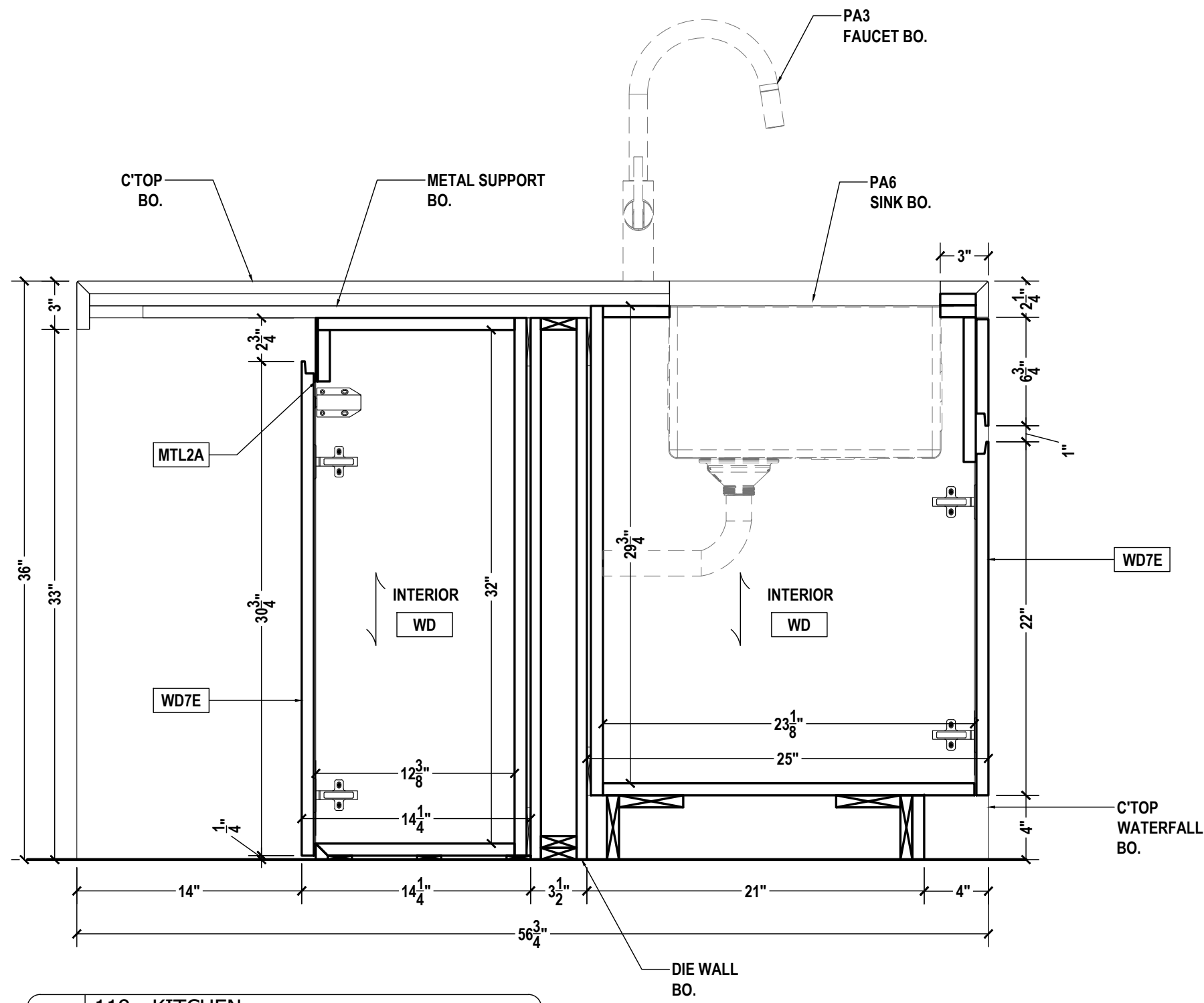
KEY	WOOD COLOR	GRAIN
WD7E	STAINED RIPT SAWN WHITE OAK	YES
KEY	INTERIOR FINISHES COLOR	GRAIN
WD	PREFINISHED MAPLE	YES
KEY	SPECIALS COLOR	GRAIN
MTL2A	METAL TO MATCH SVB RAW WHITE BRONZE	NO

PM:	-
DRAWN BY:	TMS
DATE DRAWN:	10/11/2024
REVIEWED BY:	-

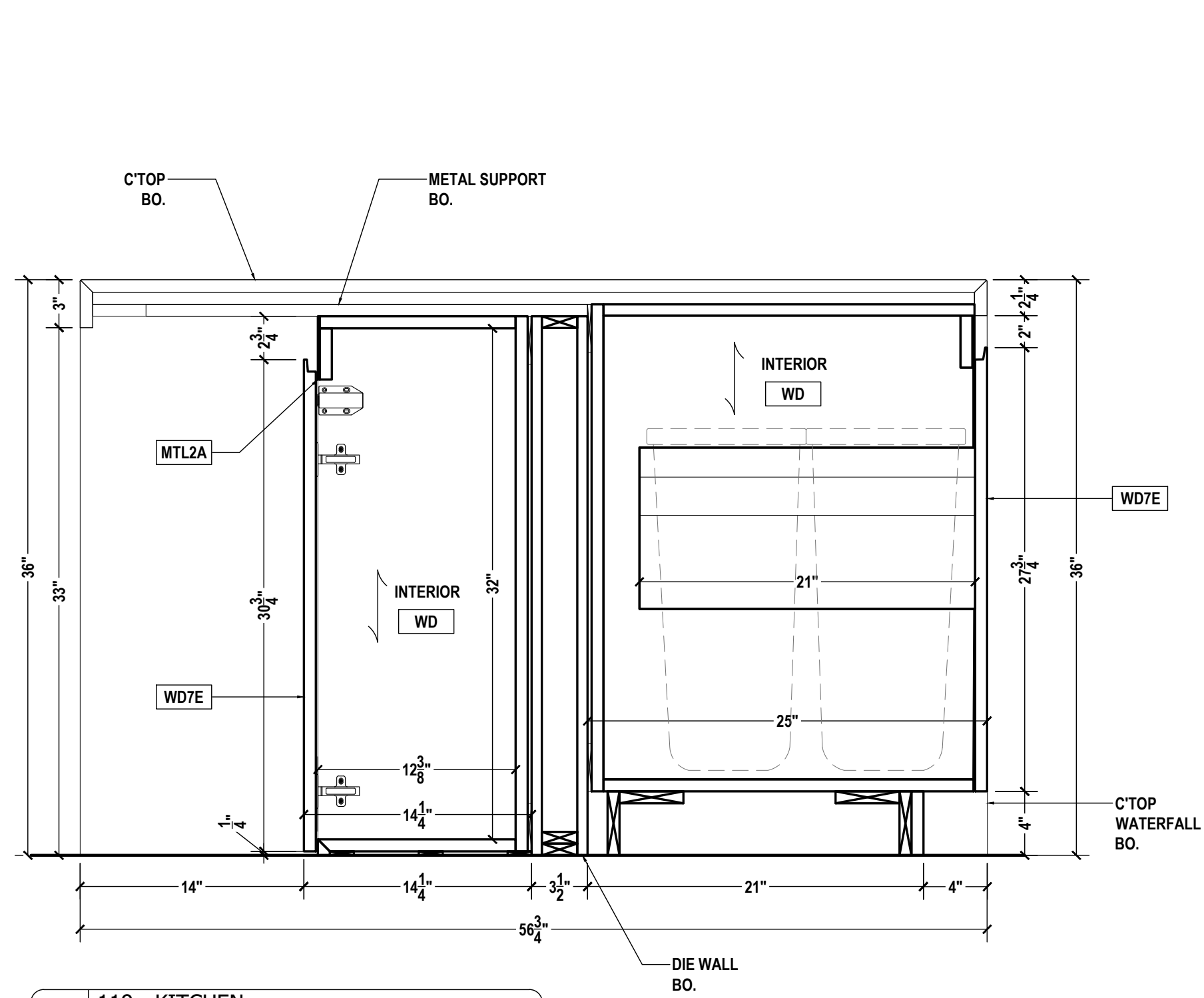
REVISIONS:

No.	DATE:	DESCRIPTIONS:	BY:
△	-	-	-
△	-	-	-
△	-	-	-
△	-	-	-
△	-	-	-
△	-	-	-
△	-	-	-
△	-	-	-

APPROVAL DATE	-
PLOT DATE	11/13/2024
PROJECT NUMBER	-----
ROOM NAME	119 - KITCHEN
SHEET NUMBER	119.10



1 119 - KITCHEN
ELEVATION
SCALE: 1-1/2"=1'-0" ARCH REF.: 5/A9.01



2 119 - KITCHEN
ELEVATION
SCALE: 1-1/2"=1'-0" ARCH REF.: N/A



QCP	YES <input type="checkbox"/>	NO <input checked="" type="checkbox"/>
LEED	YES <input type="checkbox"/>	NO <input checked="" type="checkbox"/>
FSC	YES <input type="checkbox"/>	NO <input checked="" type="checkbox"/>
NAUF	YES <input type="checkbox"/>	NO <input checked="" type="checkbox"/>

FINISHES:

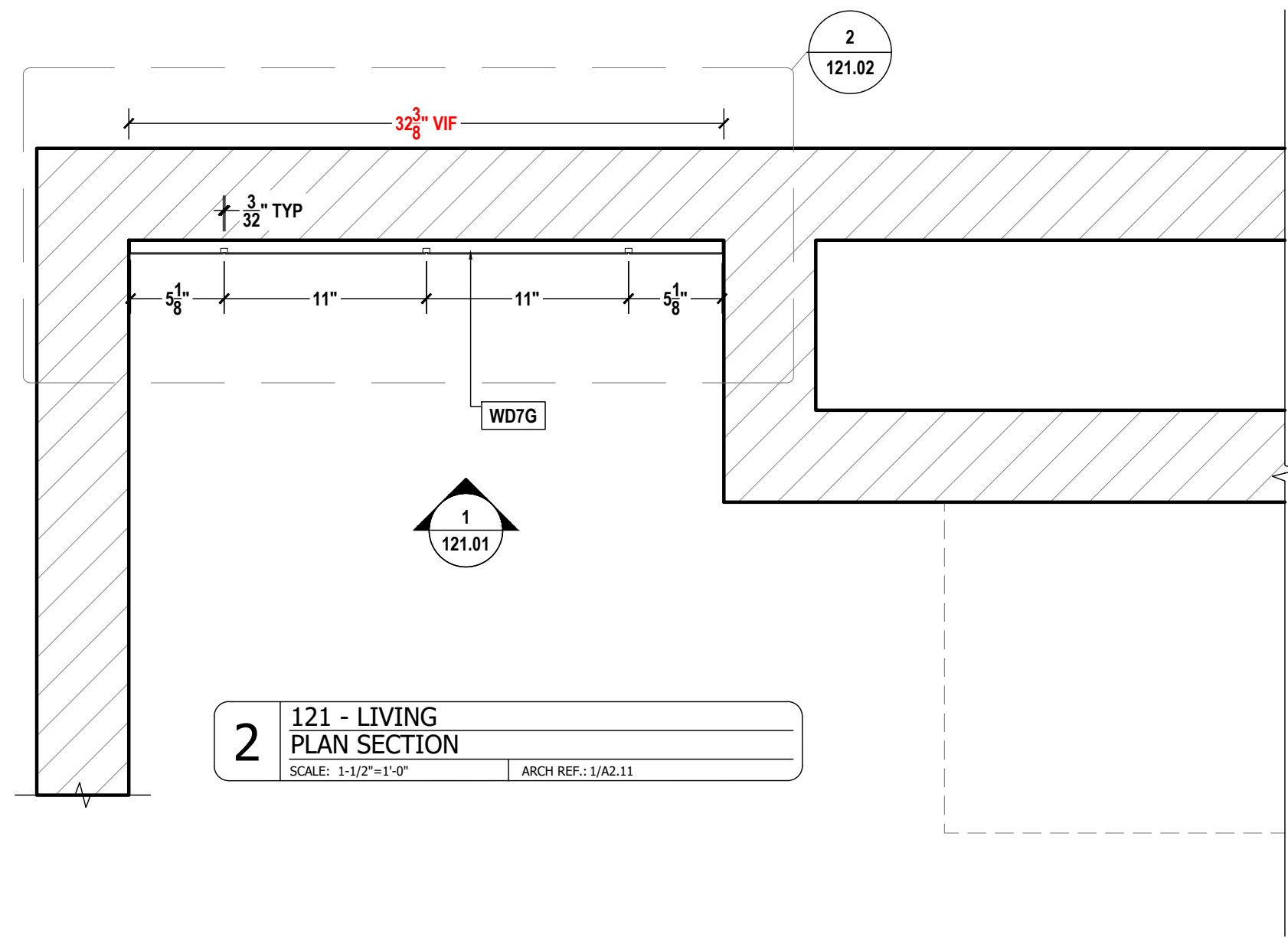
KEY	WOOD COLOR	GRAIN
WD7E	STAINED RIFT SAWN WHITE OAK	YES
KEY	INTERIOR FINISHES COLOR	GRAIN
WD	PREFINISHED MAPLE	YES
KEY	SPECIALS COLOR	GRAIN
MTL2A	METAL TO MATCH SVB RAW WHITE BRONZE	NO

PM:	-
DRAWN BY:	TMS
DATE DRAWN:	10/11/2024
REVIEWED BY:	-

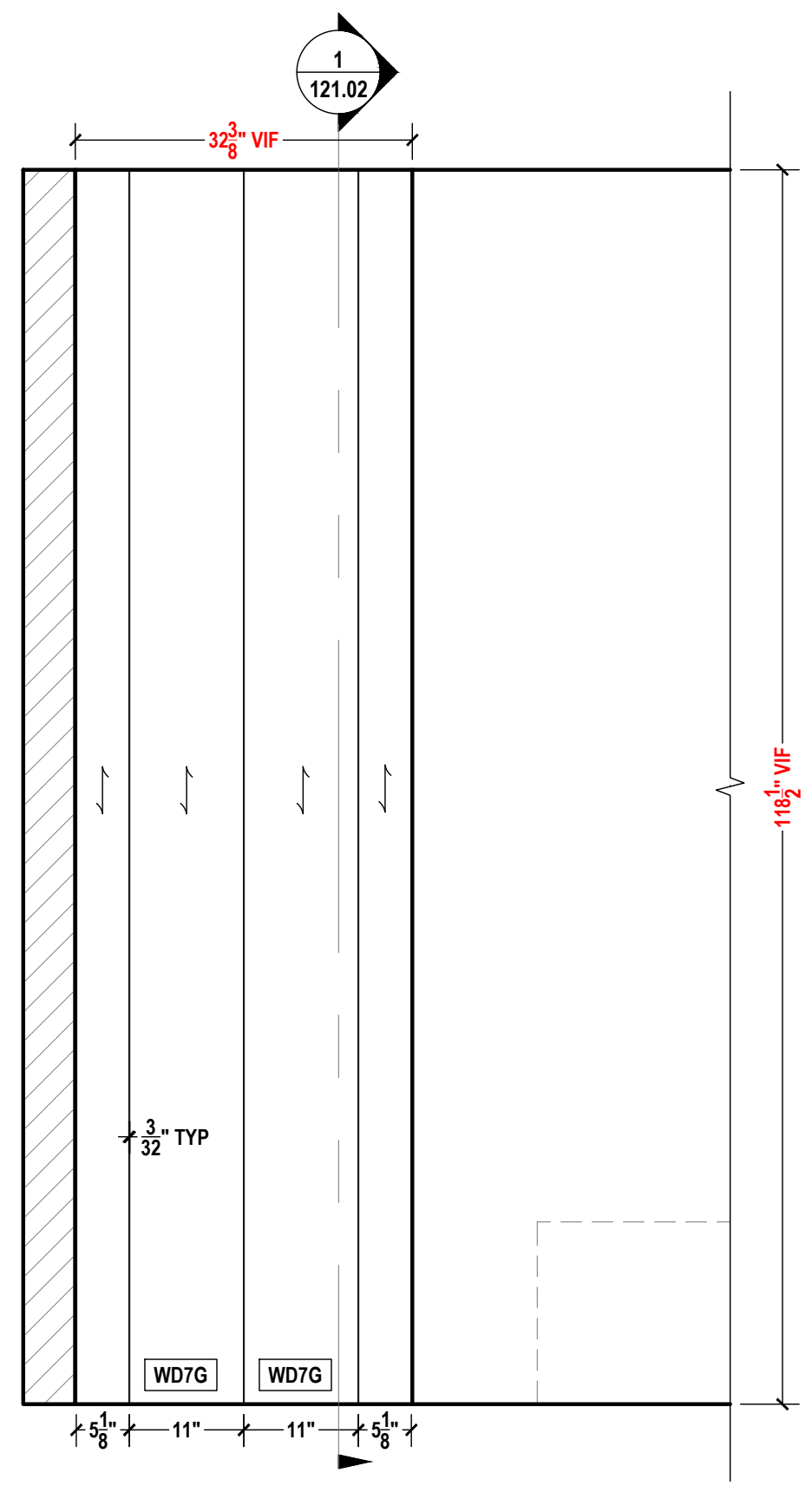
REVISIONS:

No.	DATE:	DESCRIPTIONS:	BY:
△	-	-	-
△	-	-	-
△	-	-	-
△	-	-	-
△	-	-	-
△	-	-	-
△	-	-	-
△	-	-	-

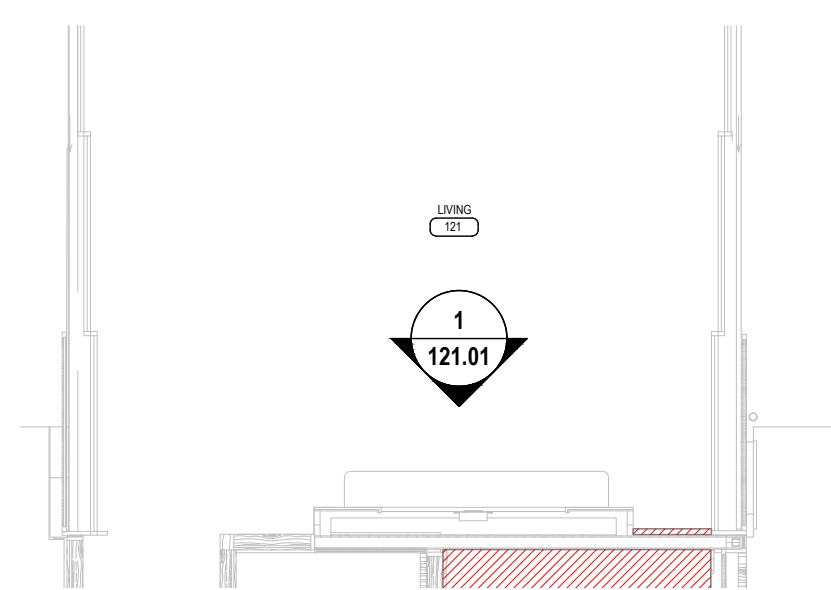
APPROVAL DATE	-
PLOT DATE	11/13/2024
PROJECT NUMBER	-----
ROOM NAME	119 - KITCHEN
SHEET NUMBER	119.11



2 121 - LIVING
PLAN SECTION
SCALE: 1-1/2"=1'-0" ARCH REF.: 1/A2.11



1 121 - LIVING
ELEVATION
SCALE: 3/4"=1'-0" ARCH REF.: 1/A5.09



	QCP	YES <input type="checkbox"/>	NO <input checked="" type="checkbox"/>
	LEED	YES <input type="checkbox"/>	NO <input checked="" type="checkbox"/>
	FSC	YES <input type="checkbox"/>	NO <input checked="" type="checkbox"/>
	NAUF	YES <input type="checkbox"/>	NO <input checked="" type="checkbox"/>

FINISHES:

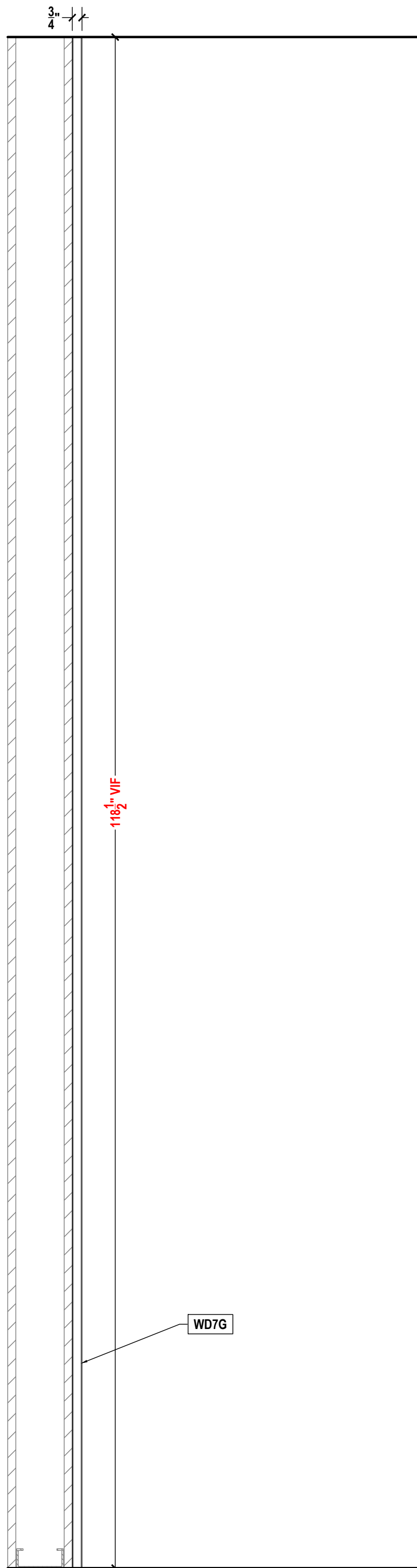
KEY	WOOD	
	COLOR	GRAIN
WD7G	3/4" X 16" OAK VENEER T&G PANELING	YES

PM:	-
DRAWN BY:	TMS
DATE DRAWN:	10/11/2024
REVIEWED BY:	-

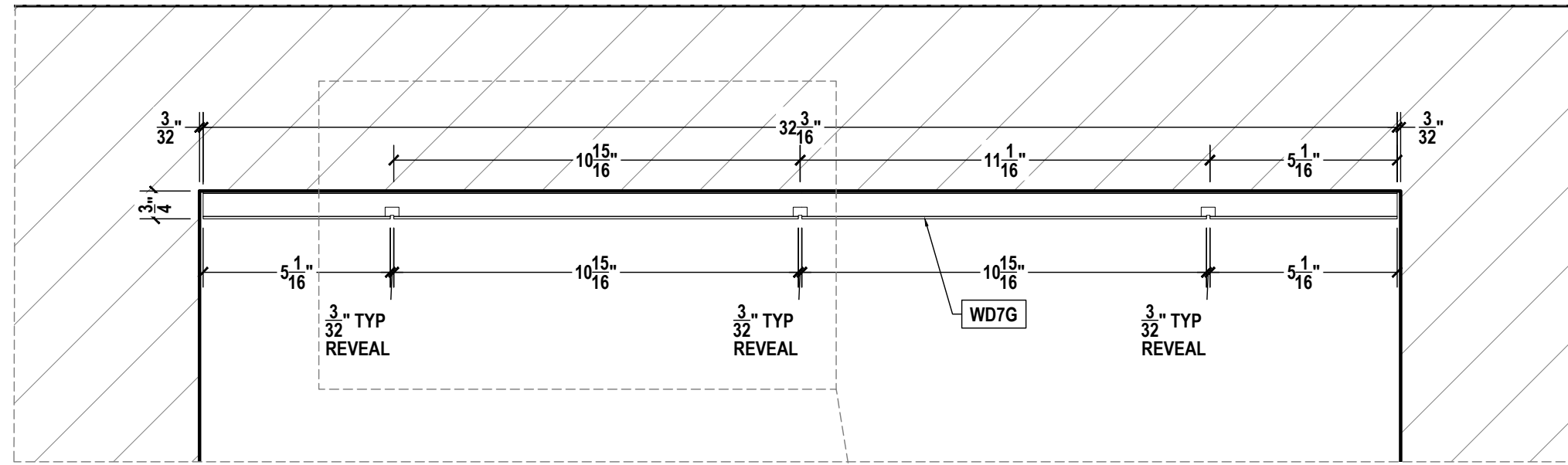
REVISIONS:

No.	DATE	DESCRIPTIONS	BY:
△	-	-	-
△	-	-	-
△	-	-	-
△	-	-	-
△	-	-	-
△	-	-	-
△	-	-	-
△	-	-	-

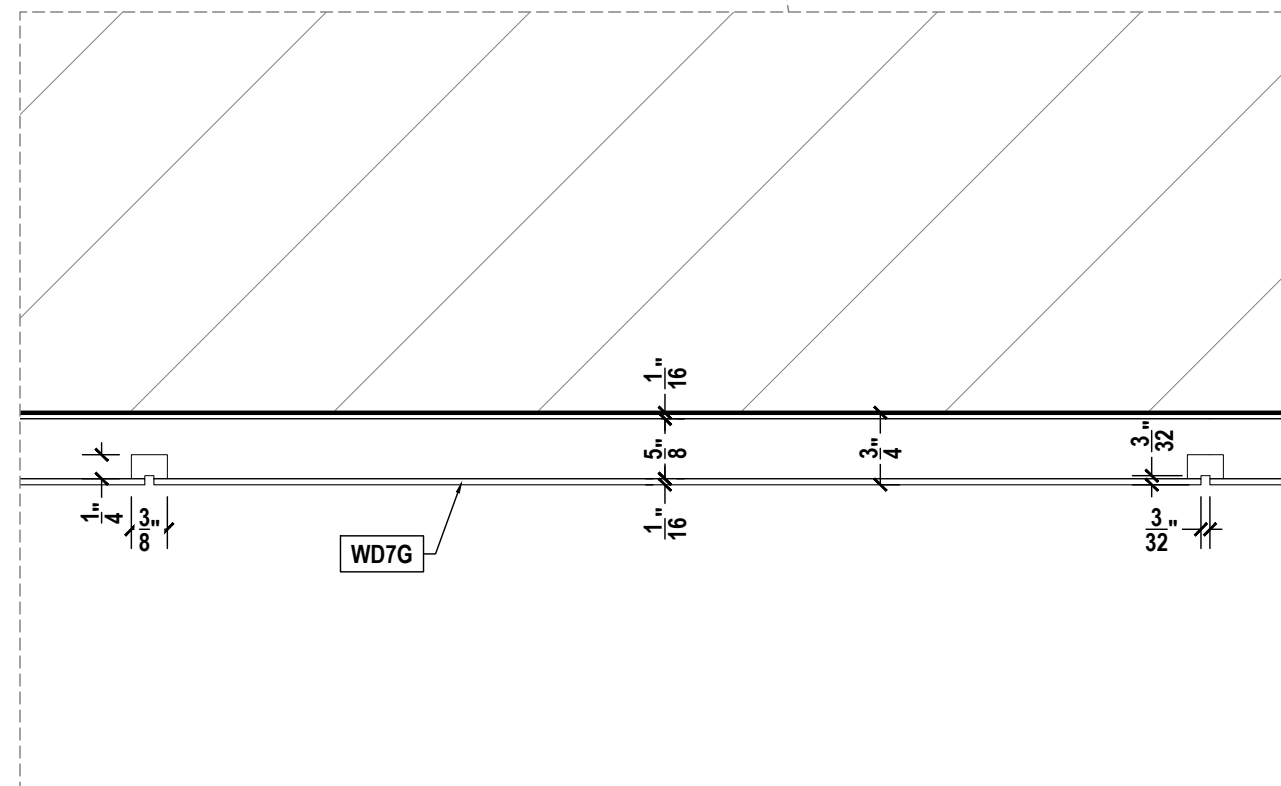
APPROVAL DATE	-
PLOT DATE	11/13/2024
PROJECT NUMBER	-----
ROOM NAME	121 - LIVING
SHEET NUMBER	121.01



1 121 - LIVING
SECTION
SCALE: 1-1/2"=1'-0" ARCH REF.: N/A



2 123 - M BED
DETAIL
SCALE: 3"=1'-0" ARCH REF.: N/A



3 121 - LIVING
DETAIL
SCALE: 6"=1'-0" ARCH REF.: N/A



QCP	YES <input type="checkbox"/>	NO <input checked="" type="checkbox"/>
LEED	YES <input type="checkbox"/>	NO <input checked="" type="checkbox"/>
FSC	YES <input type="checkbox"/>	NO <input checked="" type="checkbox"/>
NAUF	YES <input type="checkbox"/>	NO <input checked="" type="checkbox"/>

FINISHES:

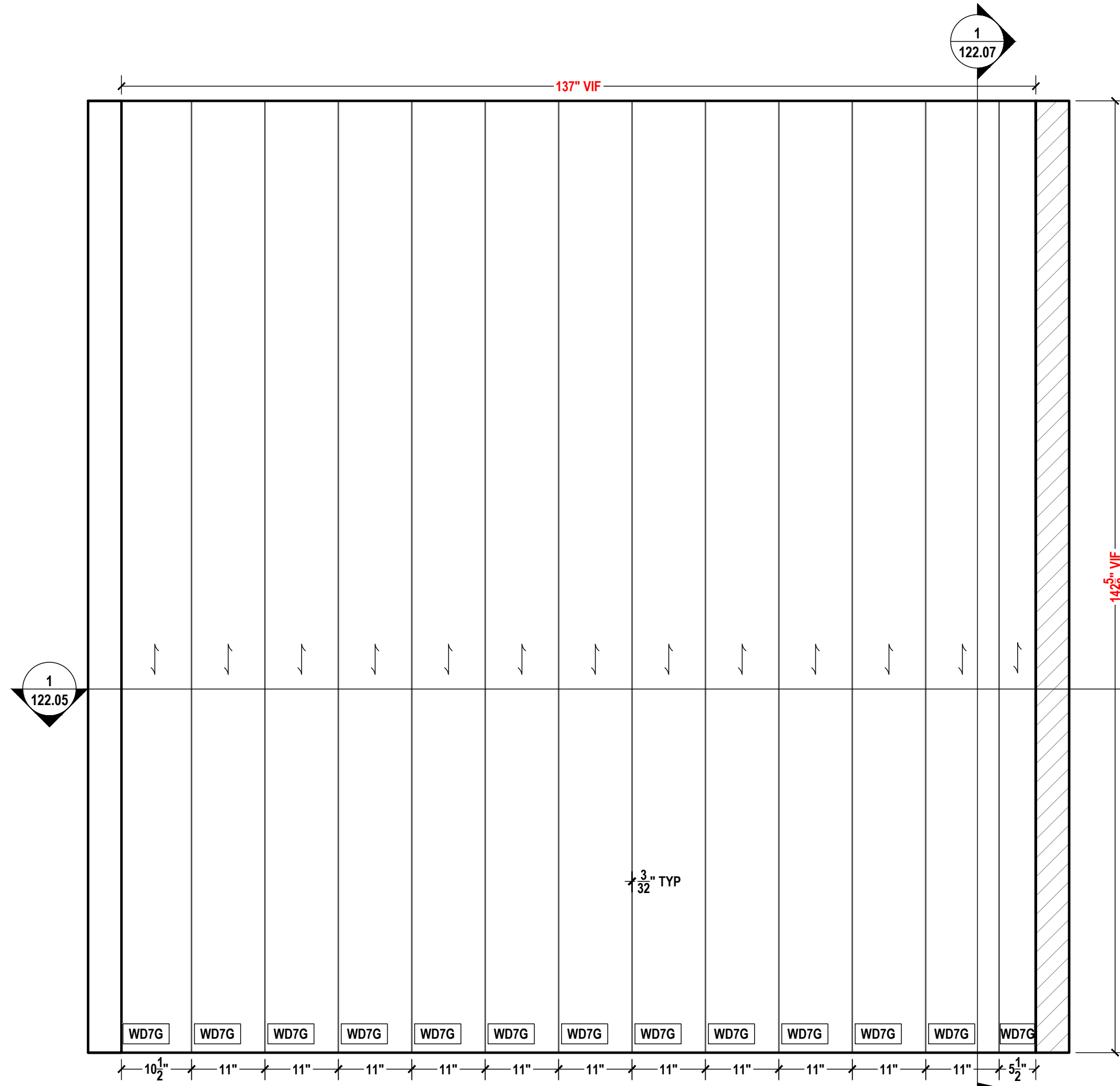
KEY	WOOD	
	COLOR	GRAIN
WD7G	3" X 16" OAK VENEER T&G PANELING	YES

PM:	-
DRAWN BY:	TMS
DATE DRAWN:	10/11/2024
REVIEWED BY:	-

REVISIONS:

No.	DATE	DESCRIPTIONS	BY:
△	-	-	-
△	-	-	-
△	-	-	-
△	-	-	-
△	-	-	-
△	-	-	-
△	-	-	-

APPROVAL DATE	-
PLOT DATE	11/13/2024
PROJECT NUMBER	-----
ROOM NAME	121 - LIVING
SHEET NUMBER	121.02



1 122 - DEN OFFICE
ELEVATION
SCALE: 3/4"=1'-0" ARCH REF.: 7/AS.08



QCP	YES <input type="checkbox"/>	NO <input checked="" type="checkbox"/>
LEED	YES <input type="checkbox"/>	NO <input checked="" type="checkbox"/>
FSC	YES <input type="checkbox"/>	NO <input checked="" type="checkbox"/>
NAUF	YES <input type="checkbox"/>	NO <input checked="" type="checkbox"/>

FINISHES:

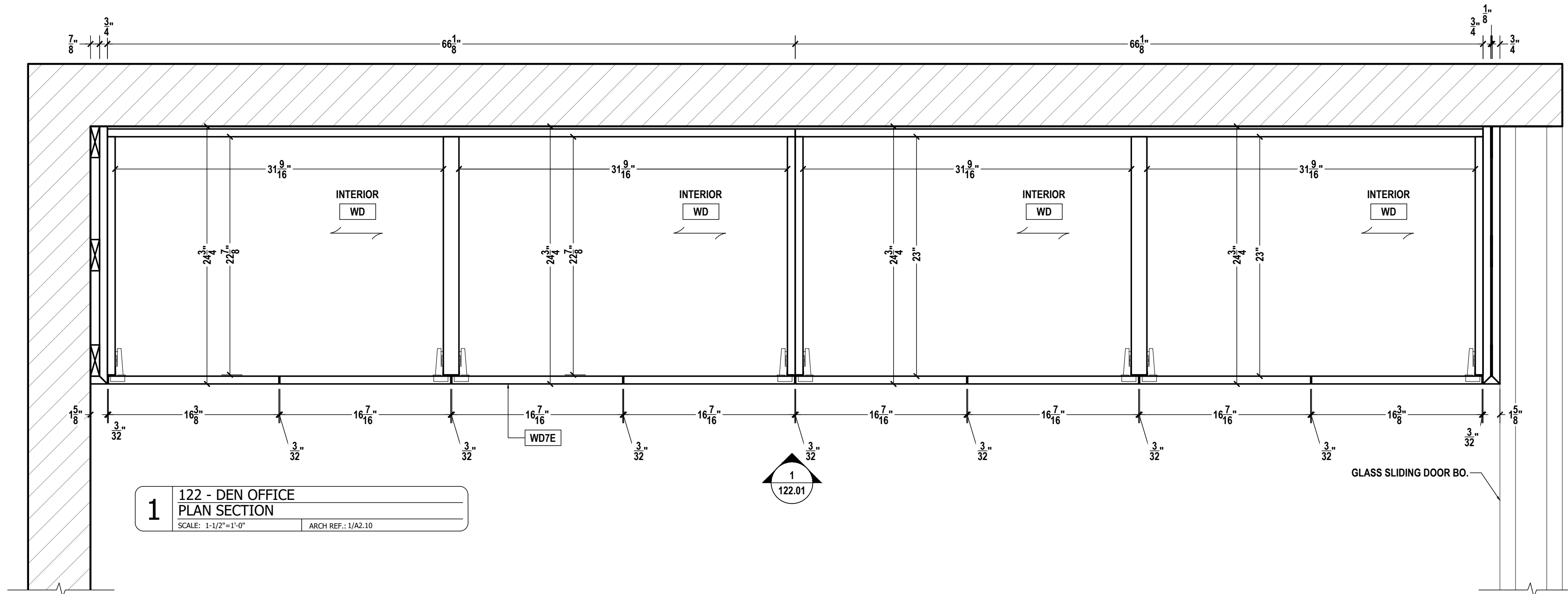
KEY	COLOR	WOOD	GRAIN
WD7E	STAINED RIFT SAWN WHITE OAK		YES
KEY	COLOR	WOOD	GRAIN
WD	PREFINISHED MAPLE		YES

PM:	-
DRAWN BY:	TMS
DATE DRAWN:	10/11/2024
REVIEWED BY:	-

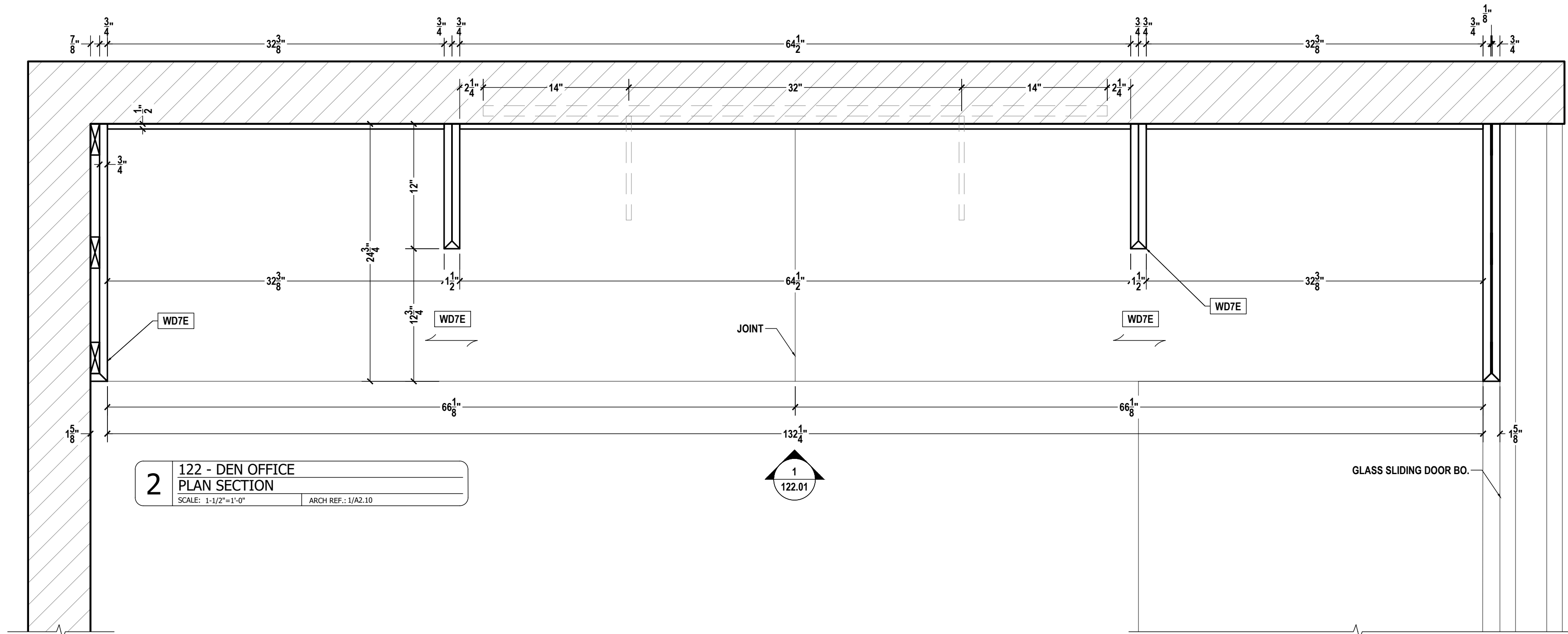
REVISIONS:

No.	DATE:	DESCRIPTIONS:	BY:
△	-	-	-
△	-	-	-
△	-	-	-
△	-	-	-
△	-	-	-
△	-	-	-
△	-	-	-
△	-	-	-

APPROVAL DATE	-
PLOT DATE	11/13/2024
PROJECT NUMBER	-----
ROOM NAME	122 - OFFICE
SHEET NUMBER	122.02



1 122 - DEN OFFICE
PLAN SECTION
SCALE: 1-1/2"=1'-0"
ARCH REF.: 1/A2.10



2 122 - DEN OFFICE
PLAN SECTION
SCALE: 1-1/2"=1'-0"
ARCH REF.: 1/A2.10

	QCP	YES <input type="checkbox"/>	NO <input checked="" type="checkbox"/>
	LEED	YES <input type="checkbox"/>	NO <input checked="" type="checkbox"/>
	FSC	YES <input type="checkbox"/>	NO <input checked="" type="checkbox"/>
	NAUF	YES <input type="checkbox"/>	NO <input checked="" type="checkbox"/>

FINISHES:

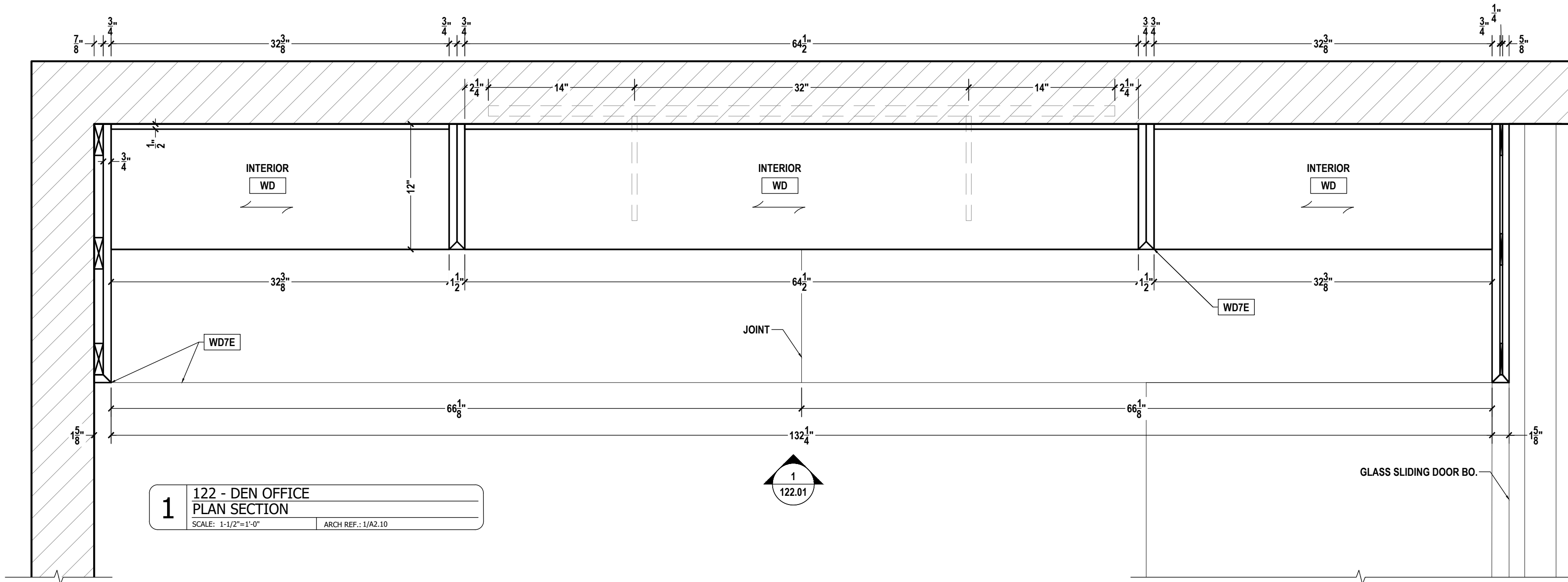
KEY	COLOR	GRAIN
WD7E	STAINED RIFT SAWN WHITE OAK	YES
KEY	COLOR	GRAIN
WD	PREFINISHED MAPLE	YES

PM:	-
DRAWN BY:	TMS
DATE DRAWN:	10/11/2024
REVIEWED BY:	-

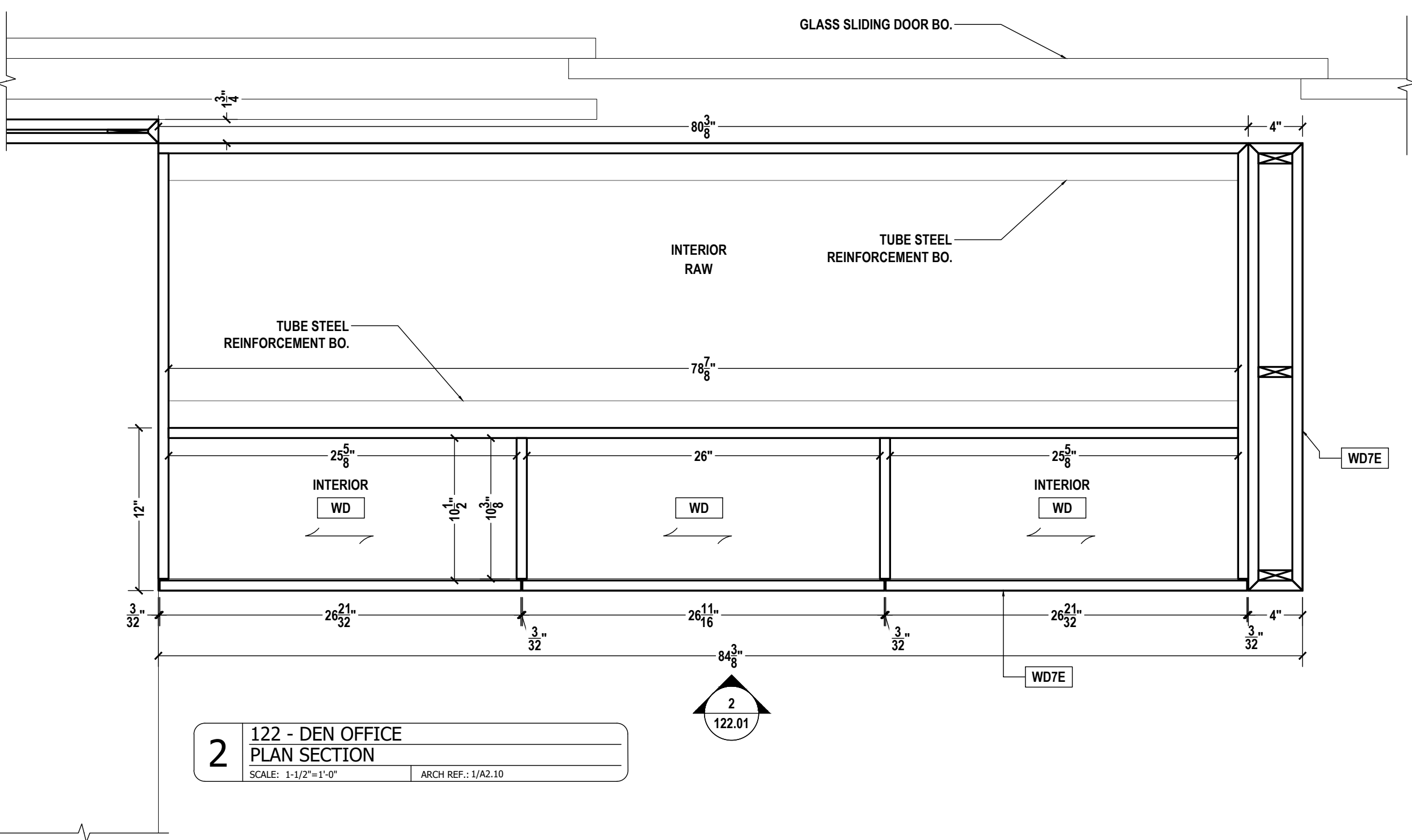
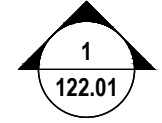
REVISIONS:

No.	DATE	DESCRIPTIONS	BY:
△	-	-	-
△	-	-	-
△	-	-	-
△	-	-	-
△	-	-	-
△	-	-	-
△	-	-	-
△	-	-	-

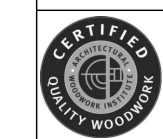
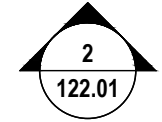
APPROVAL DATE	-
PLOT DATE	11/13/2024
PROJECT NUMBER	-----
ROOM NAME	122 - OFFICE
SHEET NUMBER	122.03



1 122 - DEN OFFICE
 PLAN SECTION
 SCALE: 1-1/2"=1'-0" ARCH REF.: 1/A2.10



2 122 - DEN OFFICE
 PLAN SECTION
 SCALE: 1-1/2"=1'-0" ARCH REF.: 1/A2.10



QCP	YES <input type="checkbox"/>	NO <input checked="" type="checkbox"/>
LEED	YES <input type="checkbox"/>	NO <input checked="" type="checkbox"/>
FSC	YES <input type="checkbox"/>	NO <input checked="" type="checkbox"/>
NAUF	YES <input type="checkbox"/>	NO <input checked="" type="checkbox"/>

FINISHES:

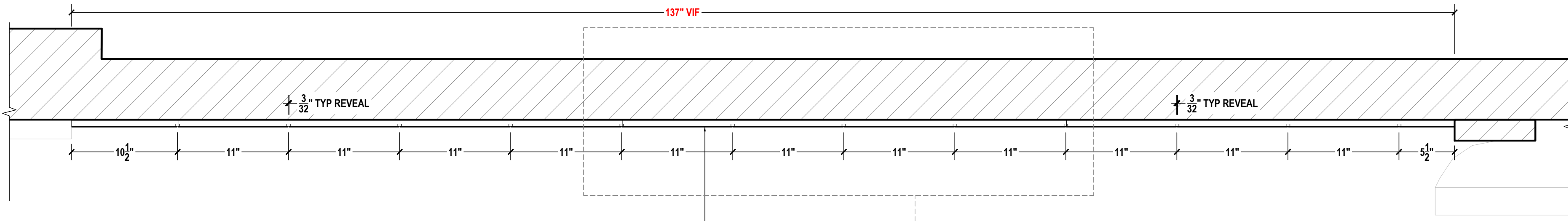
WOOD		
KEY	COLOR	GRAIN
WD7E	STAINED RIFT SAWN WHITE OAK	YES
INTERIOR FINISHES		
KEY	COLOR	GRAIN
WD	PREFINISHED MAPLE	YES

PM:	-
DRAWN BY:	TMS
DATE DRAWN:	10/11/2024
REVIEWED BY:	-

REVISIONS:

No.	DATE	DESCRIPTIONS	BY:
△	-	-	-
△	-	-	-
△	-	-	-
△	-	-	-
△	-	-	-
△	-	-	-
△	-	-	-
△	-	-	-

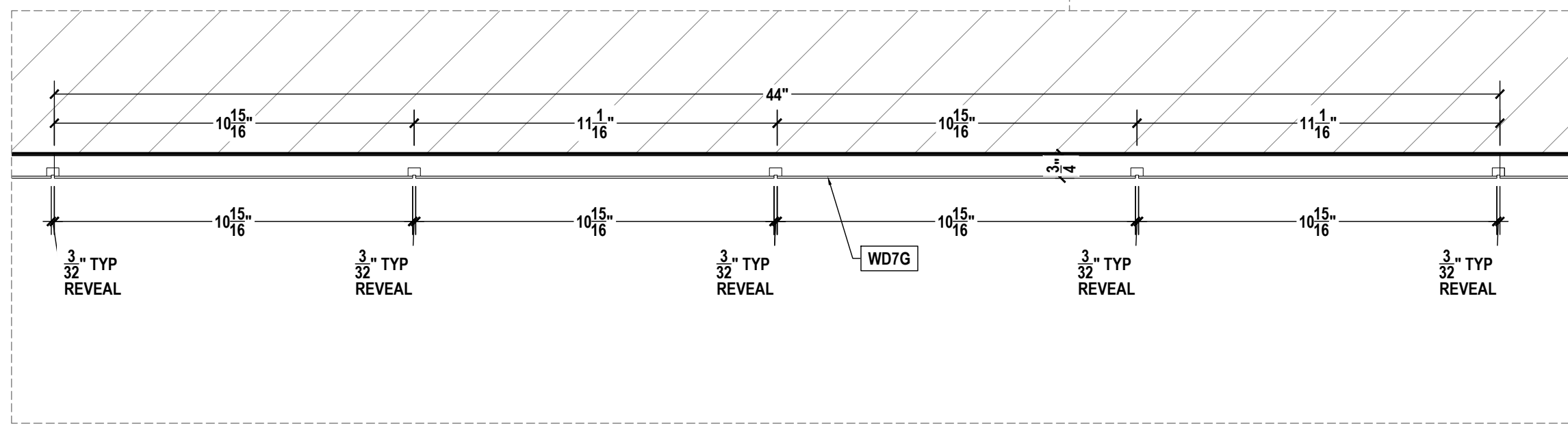
APPROVAL DATE	-
PLOT DATE	11/13/2024
PROJECT NUMBER	-----
ROOM NAME	122 - OFFICE
SHEET NUMBER	122.04



1 122 - DEN OFFICE
 PLAN SECTION
 SCALE: 1-1/2"=1'-0" ARCH REF.: 1/A2.10



WD7G



2 122 - DEN OFFICE
 DETAIL
 SCALE: 3"=1'-0" ARCH REF.: N/A



QCP	YES <input type="checkbox"/>	NO <input checked="" type="checkbox"/>
LEED	YES <input type="checkbox"/>	NO <input checked="" type="checkbox"/>
FSC	YES <input type="checkbox"/>	NO <input checked="" type="checkbox"/>
NAUF	YES <input type="checkbox"/>	NO <input checked="" type="checkbox"/>

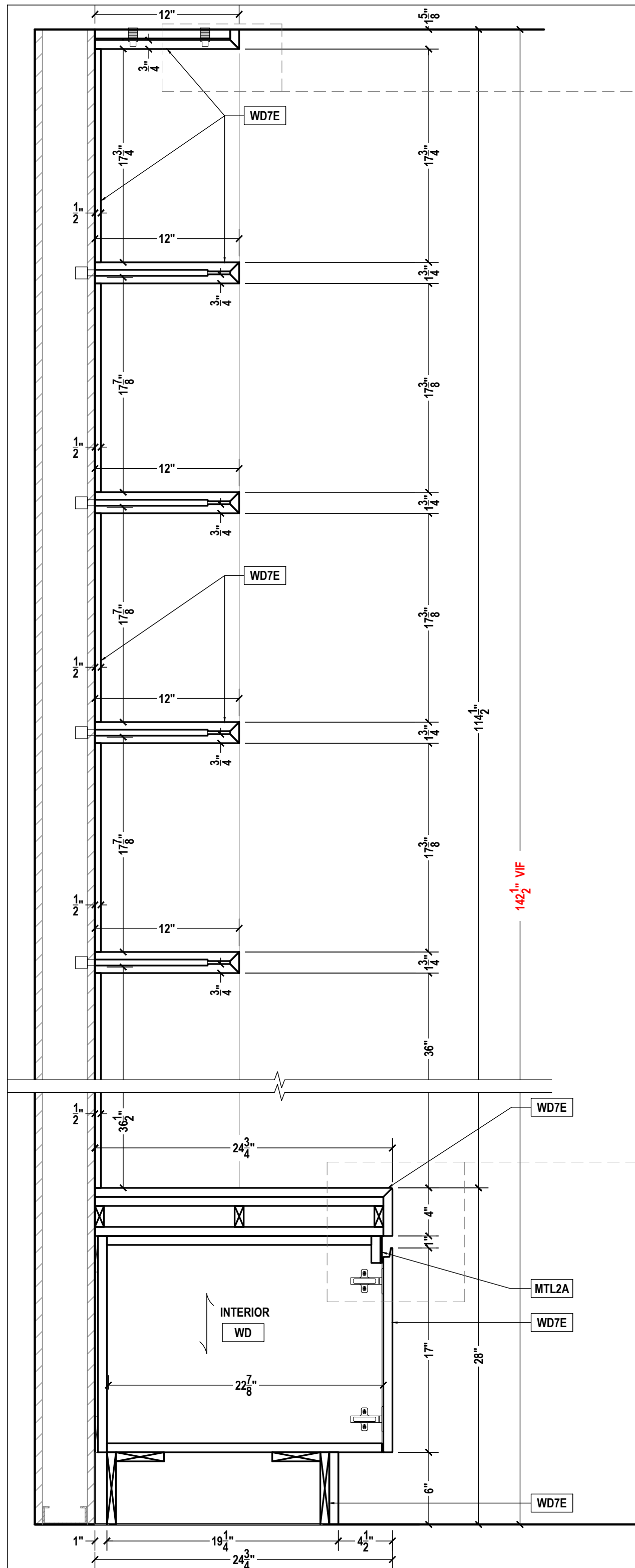
FINISHES:

WOOD		
KEY	COLOR	GRAIN
WD7E	STAINED RIFT SAWN WHITE OAK	YES
INTERIOR FINISHES		
KEY	COLOR	GRAIN
WD	PREFINISHED MAPLE	YES

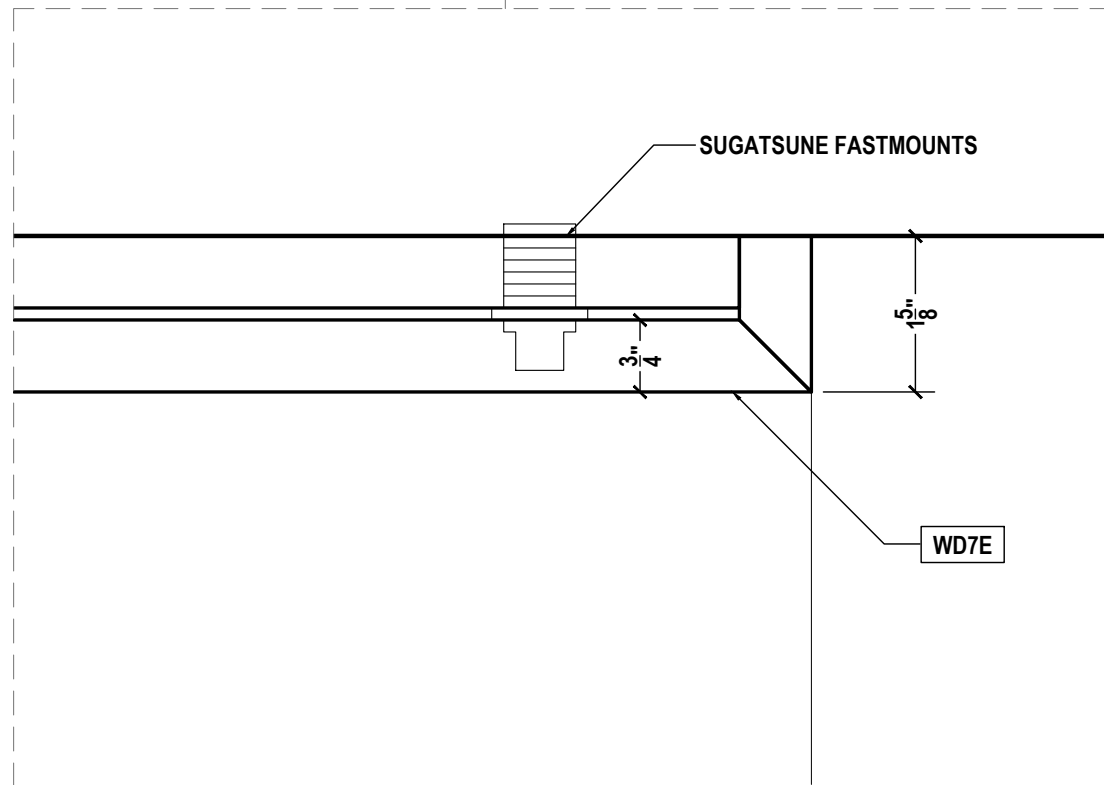
PM:	-
DRAWN BY:	TMS
DATE DRAWN:	10/11/2024
REVIEWED BY:	-

REVISIONS:			
No.	DATE	DESCRIPTIONS:	BY:
△	-	-	-
△	-	-	-
△	-	-	-
△	-	-	-
△	-	-	-
△	-	-	-
△	-	-	-
△	-	-	-

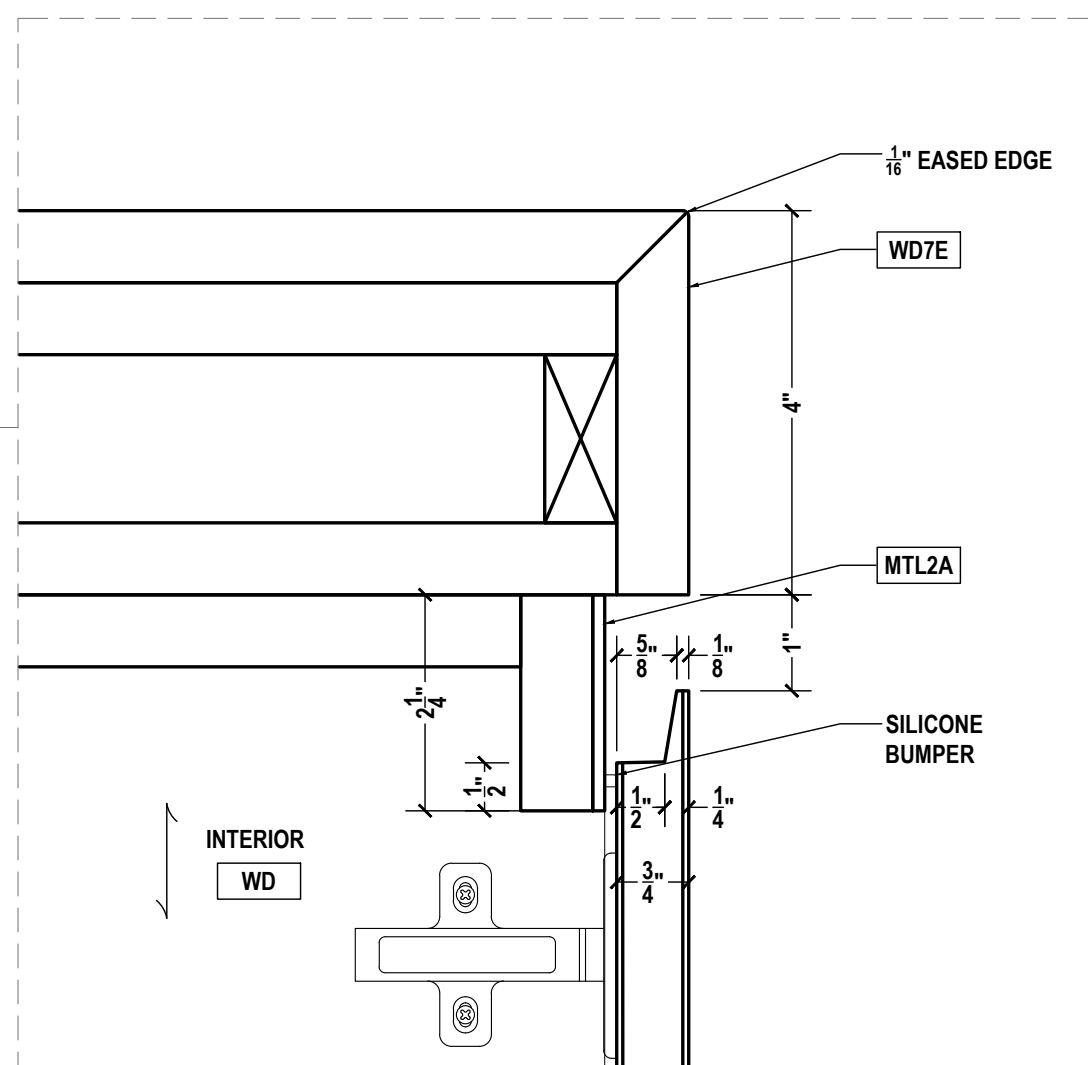
APPROVAL DATE	-
PLOT DATE	11/13/2024
PROJECT NUMBER	-----
ROOM NAME	122 - OFFICE
SHEET NUMBER	122.05



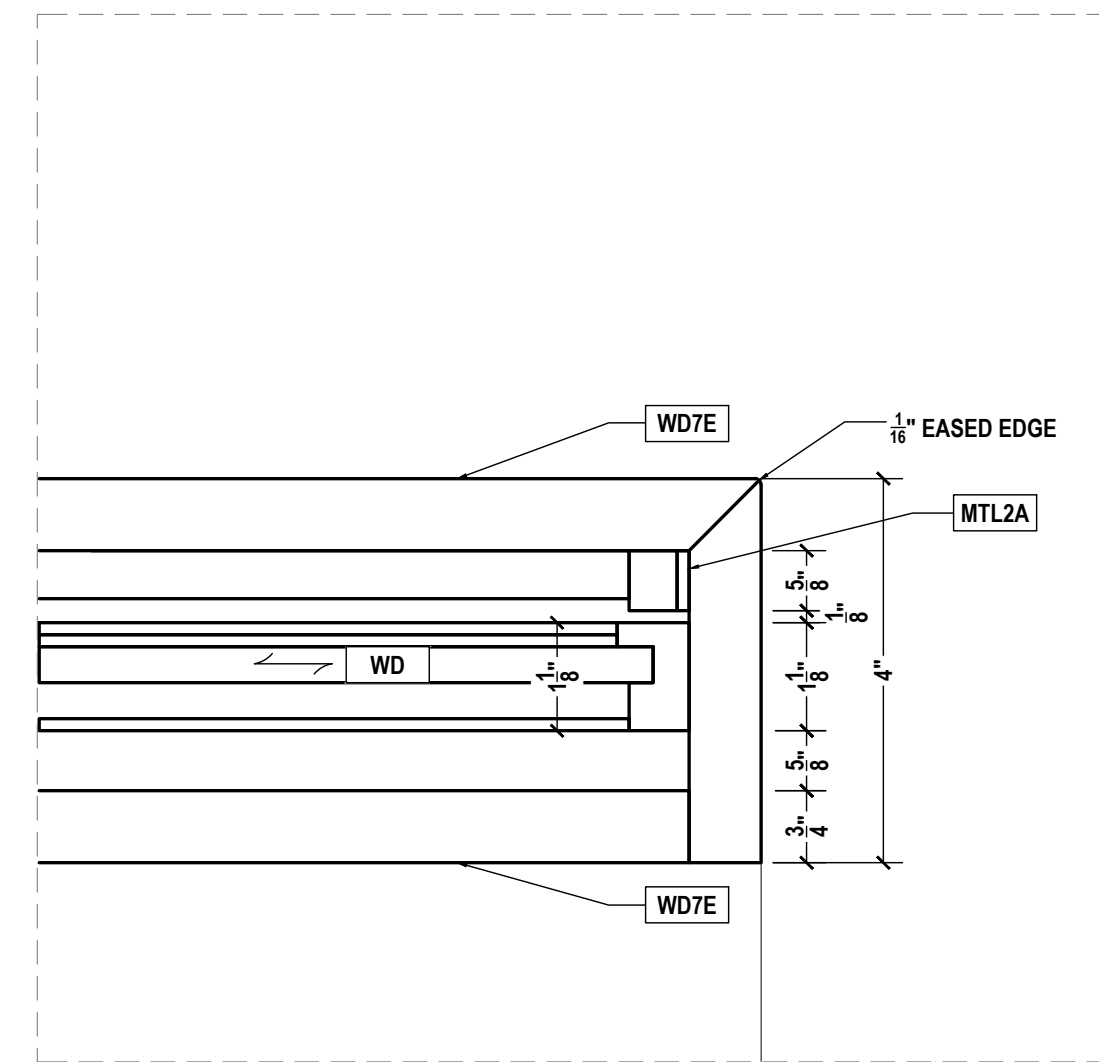
1 122 - DEN OFFICE SECTION
SCALE: 1-1/2"=1'-0" ARCH REF.: 1/A9.03



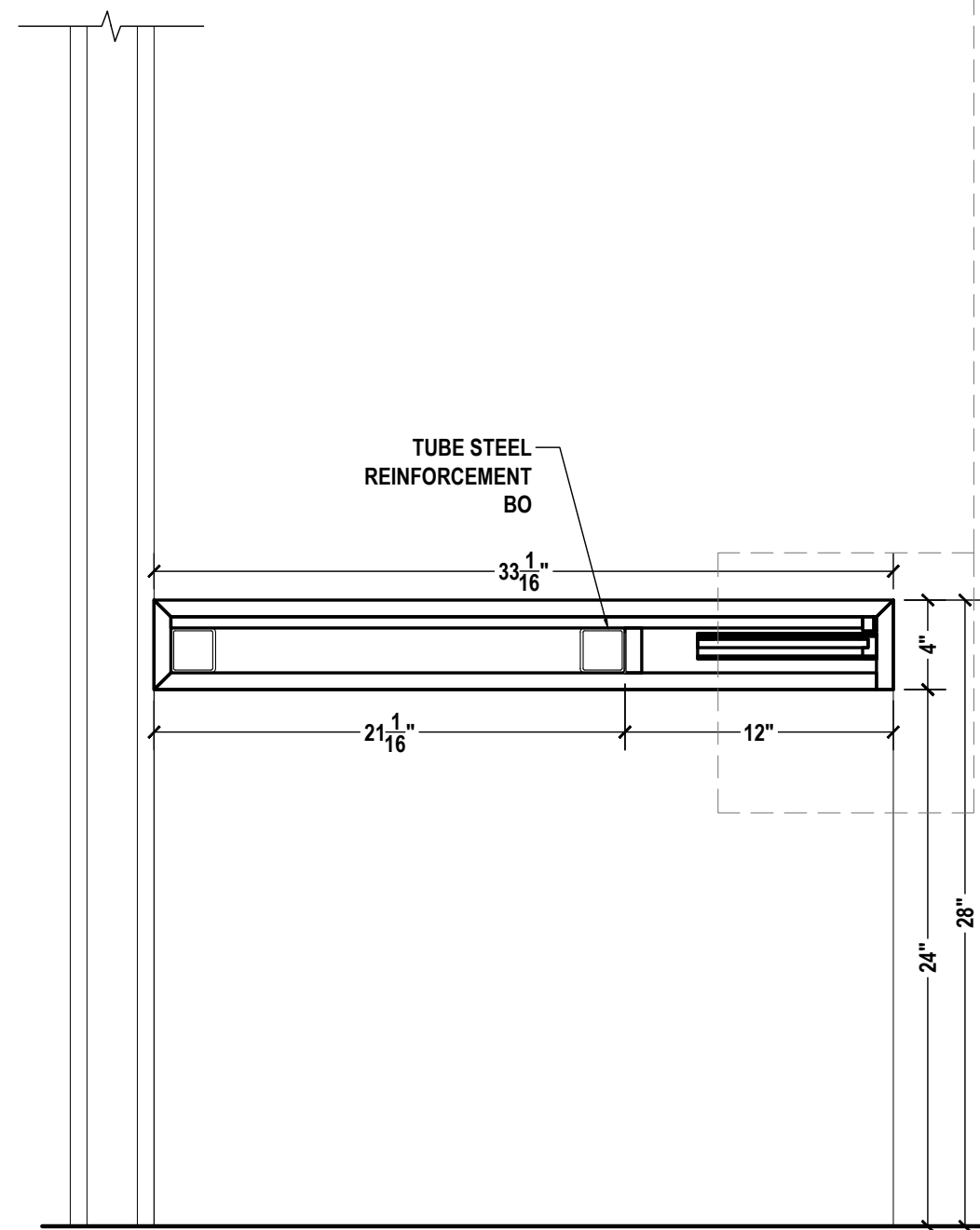
4 122 - DEN OFFICE DETAIL
SCALE: 6"=1'-0" ARCH REF.: N/A



3 122 - DEN OFFICE DETAIL
SCALE: 6"=1'-0" ARCH REF.: 6/A9.20



5 122 - DEN OFFICE DETAIL
SCALE: 6"=1'-0" ARCH REF.: 13/A9.20



2 122 - DEN OFFICE SECTION
SCALE: 1-1/2"=1'-0" ARCH REF.: 8/A9.02

	QCP	YES <input type="checkbox"/>	NO <input checked="" type="checkbox"/>
	LEED	YES <input type="checkbox"/>	NO <input checked="" type="checkbox"/>
	FSC	YES <input type="checkbox"/>	NO <input checked="" type="checkbox"/>
	NAUF	YES <input type="checkbox"/>	NO <input checked="" type="checkbox"/>

FINISHES:

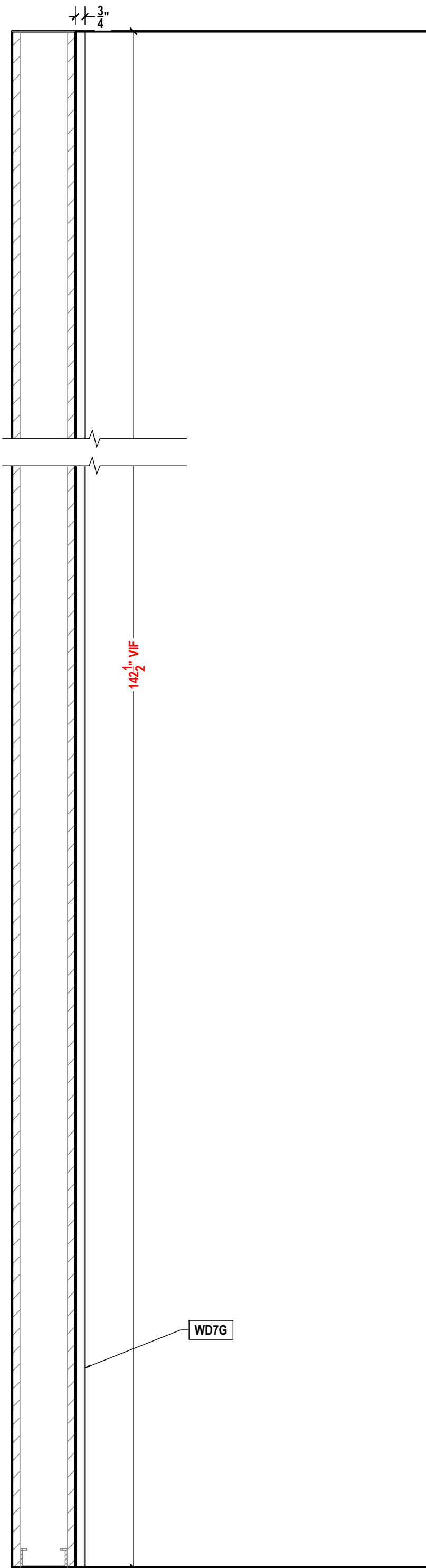
KEY	COLOR	GRAIN
WD7E	STAINED RIFT SAWN WHITE OAK	YES
INTERIOR FINISHES		
KEY	COLOR	GRAIN
WD	PREFINISHED MAPLE	YES

PM:	-
DRAWN BY:	TMS
DATE DRAWN:	10/11/2024
REVIEWED BY:	-

REVISIONS:

No.	DATE	DESCRIPTIONS	BY
△	-	-	-
△	-	-	-
△	-	-	-
△	-	-	-
△	-	-	-
△	-	-	-
△	-	-	-

APPROVAL DATE	-
PLOT DATE	11/13/2024
PROJECT NUMBER	-----
ROOM NAME	122 - OFFICE
SHEET NUMBER	122.06



1 122 - DEN OFFICE
SECTION
SCALE: 1-1/2"=1'-0" ARCH REF.: N/A



QCP	YES <input type="checkbox"/>	NO <input checked="" type="checkbox"/>
LEED	YES <input type="checkbox"/>	NO <input checked="" type="checkbox"/>
FSC	YES <input type="checkbox"/>	NO <input checked="" type="checkbox"/>
NAUF	YES <input type="checkbox"/>	NO <input checked="" type="checkbox"/>

FINISHES:

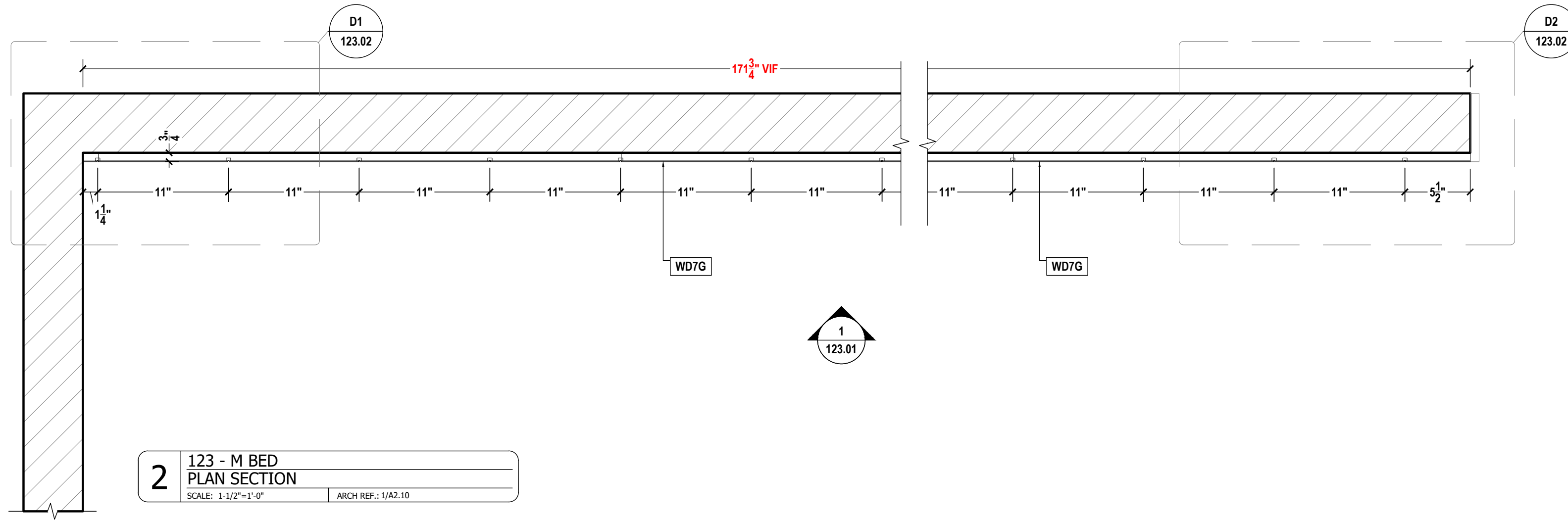
WOOD		
KEY	COLOR	GRAIN
WD7E	STAINED RIFT SAWN WHITE OAK	YES
INTERIOR FINISHES		
KEY	COLOR	GRAIN
WD	PREFINISHED MAPLE	YES

PM:	-
DRAWN BY:	TMS
DATE DRAWN:	10/11/2024
REVIEWED BY:	-

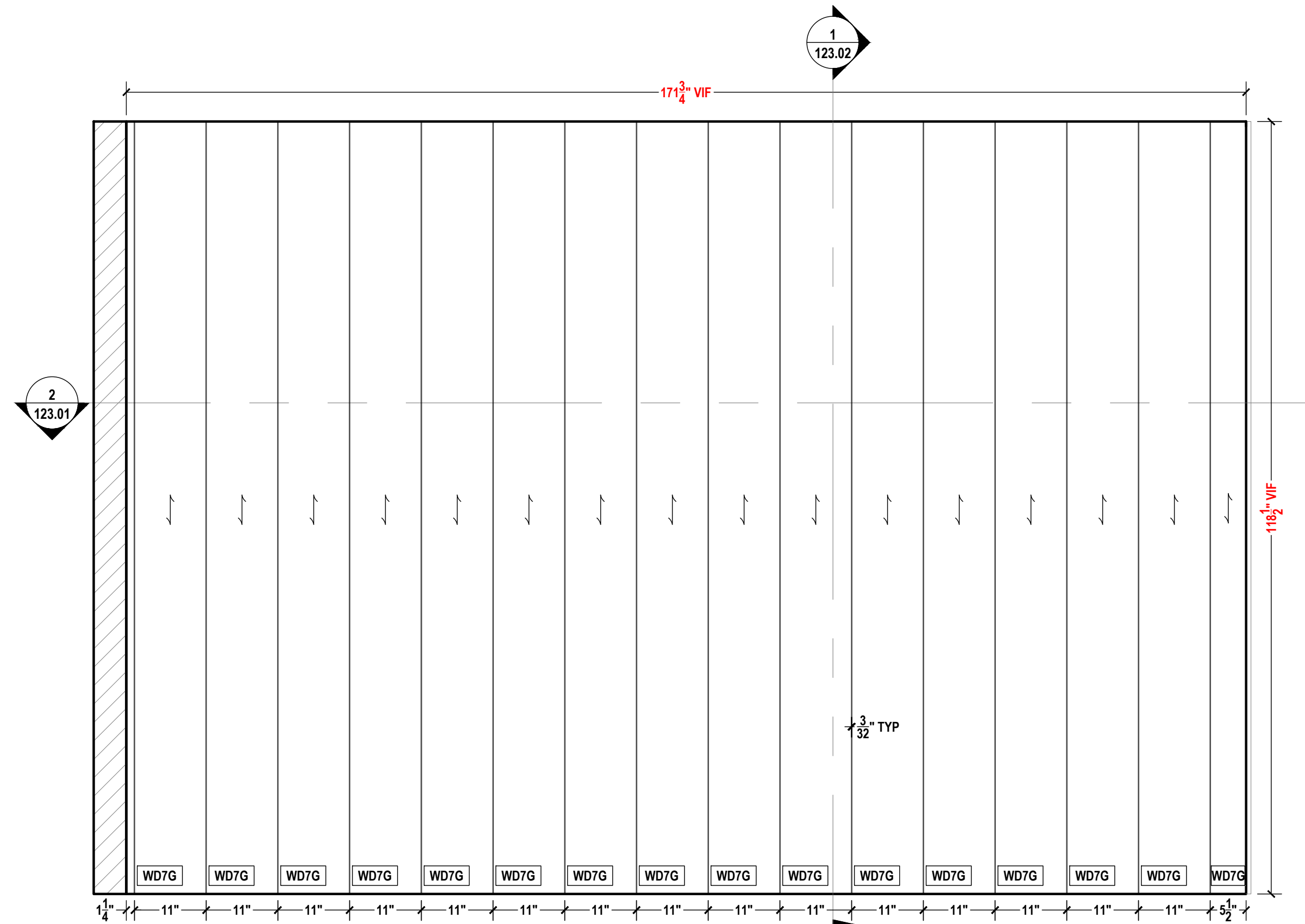
REVISIONS:

No.	DATE	DESCRIPTIONS	BY:
△	-	-	-
△	-	-	-
△	-	-	-
△	-	-	-
△	-	-	-
△	-	-	-
△	-	-	-
△	-	-	-

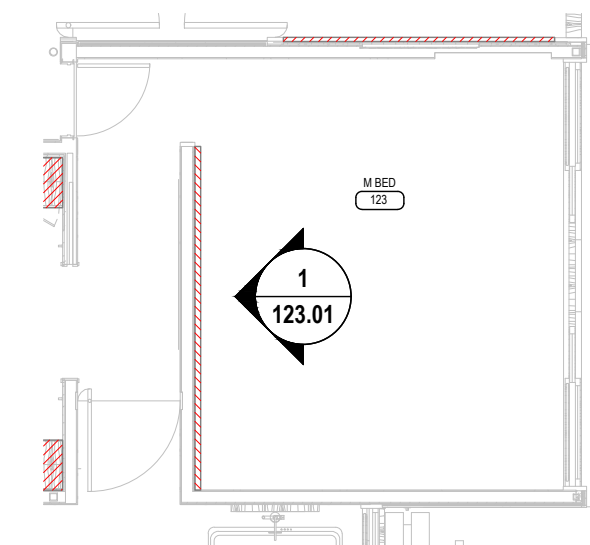
APPROVAL DATE	-
PLOT DATE	11/13/2024
PROJECT NUMBER	-----
ROOM NAME	122 - OFFICE
SHEET NUMBER	122.07



2 123 - M BED
PLAN SECTION
SCALE: 1-1/2"=1'-0" ARCH REF.: 1/A2.10



1 116 - GUEST BED
ELEVATION
SCALE: 3/4"=1'-0" ARCH REF.: 3/A5.11



QCP	YES <input type="checkbox"/>	NO <input checked="" type="checkbox"/>
LEED	YES <input type="checkbox"/>	NO <input checked="" type="checkbox"/>
FSC	YES <input type="checkbox"/>	NO <input checked="" type="checkbox"/>
NAUF	YES <input type="checkbox"/>	NO <input checked="" type="checkbox"/>

FINISHES:

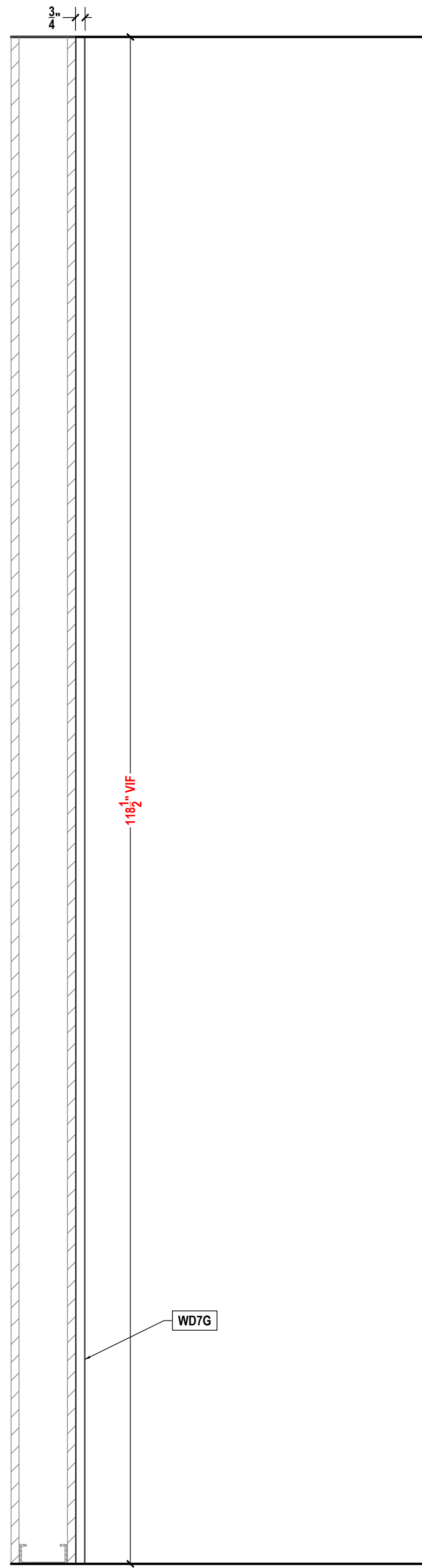
KEY	WOOD COLOR	GRAIN
WD7G	3/4" X 16" OAK VENEER T&G PANELING	YES

PM:	-
DRAWN BY:	TMS
DATE DRAWN:	10/11/2024
REVIEWED BY:	-

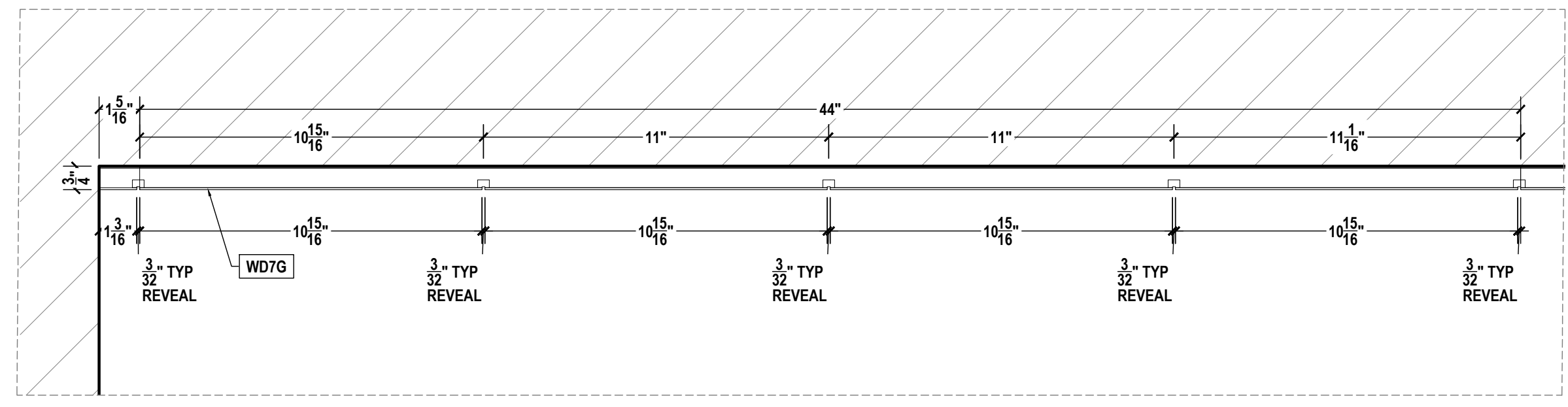
REVISIONS:

No.	DATE	DESCRIPTIONS	BY:
△	-	-	-
△	-	-	-
△	-	-	-
△	-	-	-
△	-	-	-
△	-	-	-
△	-	-	-
△	-	-	-

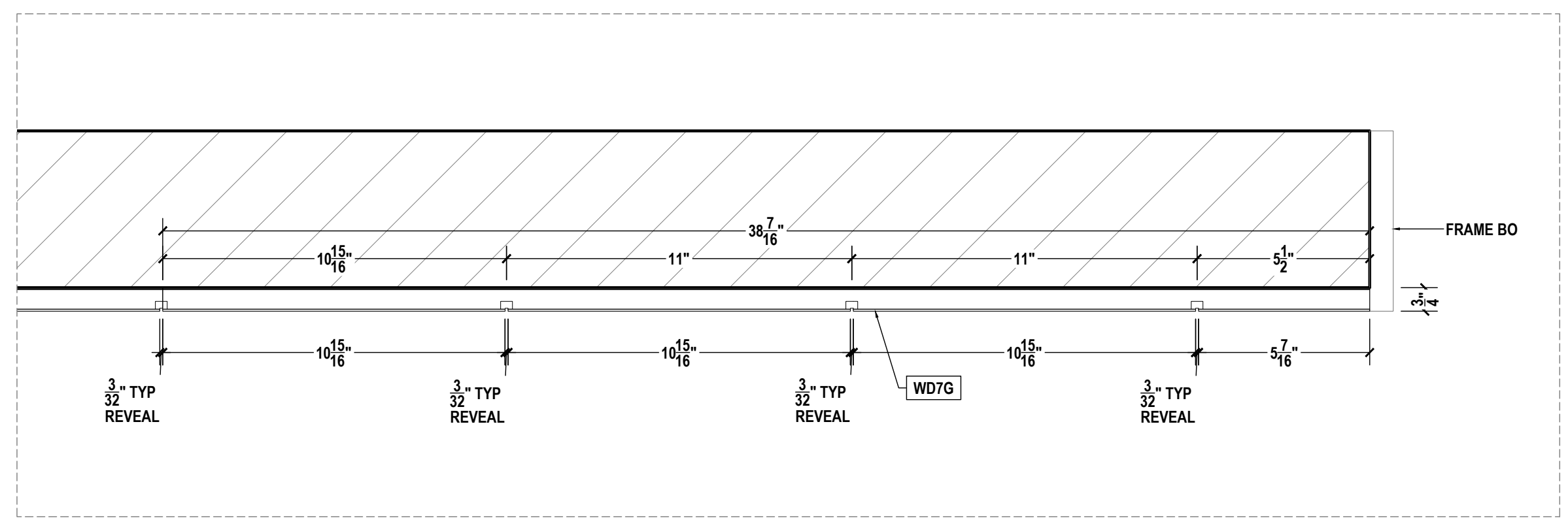
APPROVAL DATE	-
PLOT DATE	11/13/2024
PROJECT NUMBER	-----
ROOM NAME	123 - M BED
SHEET NUMBER	123.01



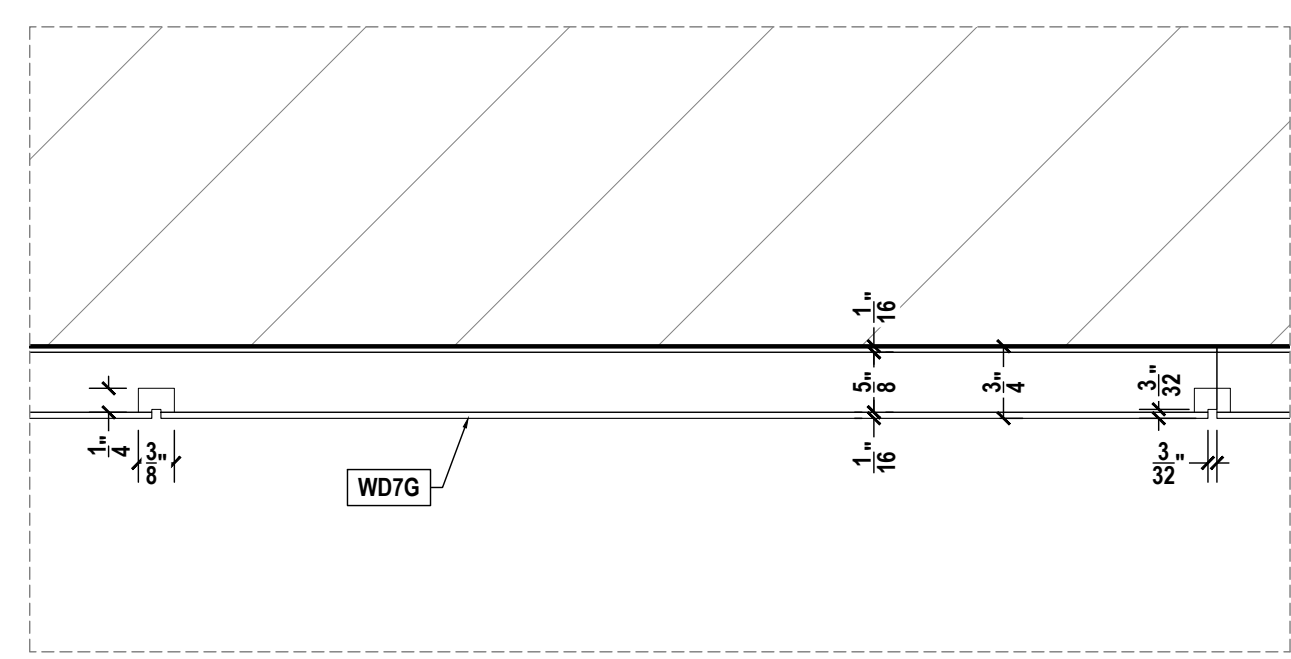
1 123 - M BED SECTION
SCALE: 1-1/2"=1'-0" ARCH REF.: N/A



2 123 - M BED DETAIL
SCALE: 3"=1'0" ARCH REF.: N/A



3 123 - M BED DETAIL
SCALE: 3"=1'0" ARCH REF.: N/A



4 123 - M BED DETAIL
SCALE: 6"=1'0" ARCH REF.: N/A

	QCP	YES <input type="checkbox"/>	NO <input checked="" type="checkbox"/>
	LEED	YES <input type="checkbox"/>	NO <input checked="" type="checkbox"/>
	FSC	YES <input type="checkbox"/>	NO <input checked="" type="checkbox"/>
	NAUF	YES <input type="checkbox"/>	NO <input checked="" type="checkbox"/>

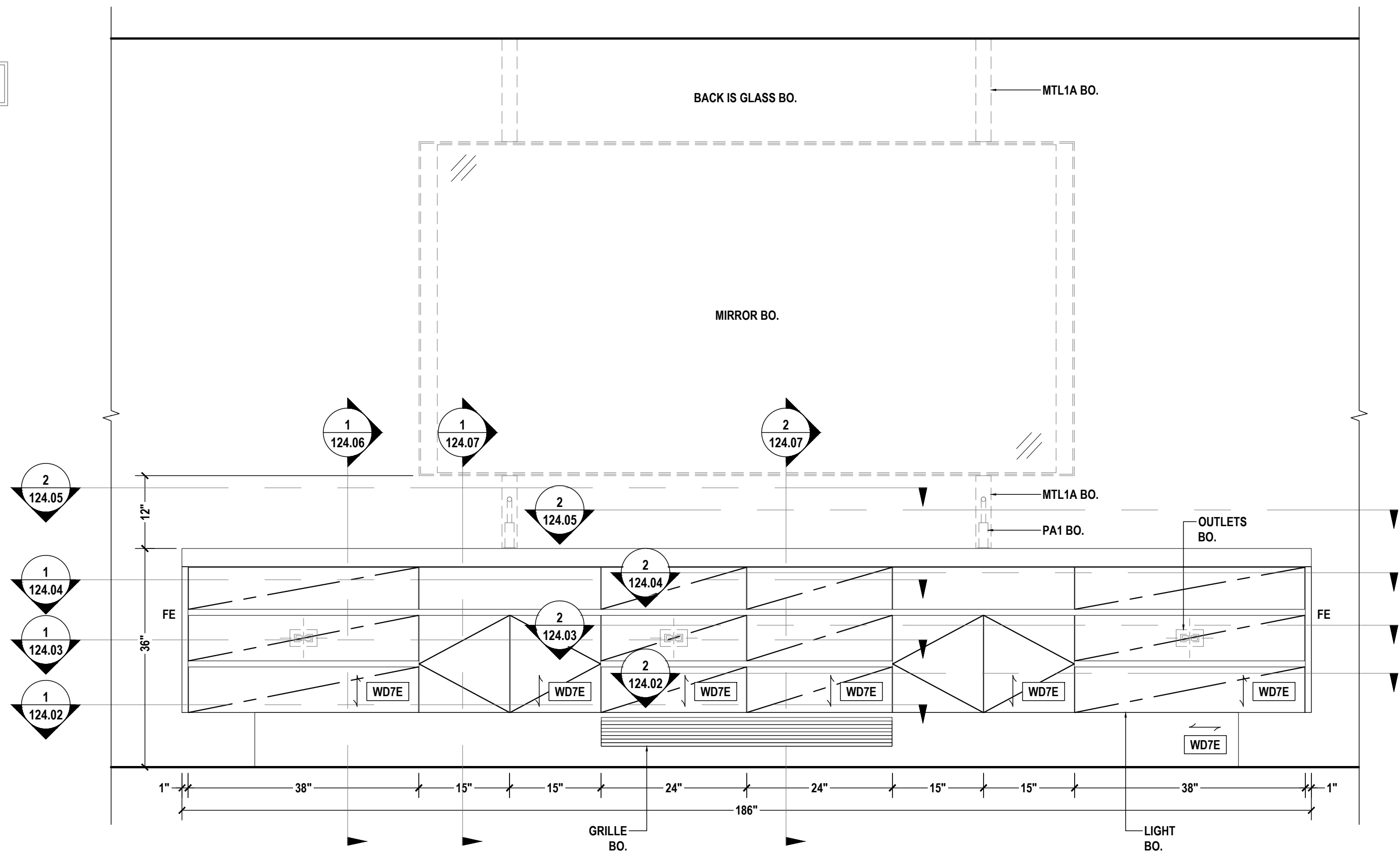
FINISHES:		
KEY	COLOR	GRAIN
WD7G	3" X 16" OAK VENEER T&G PANELING	YES

PM:	-
DRAWN BY:	TMS
DATE DRAWN:	10/11/2024
REVIEWED BY:	-

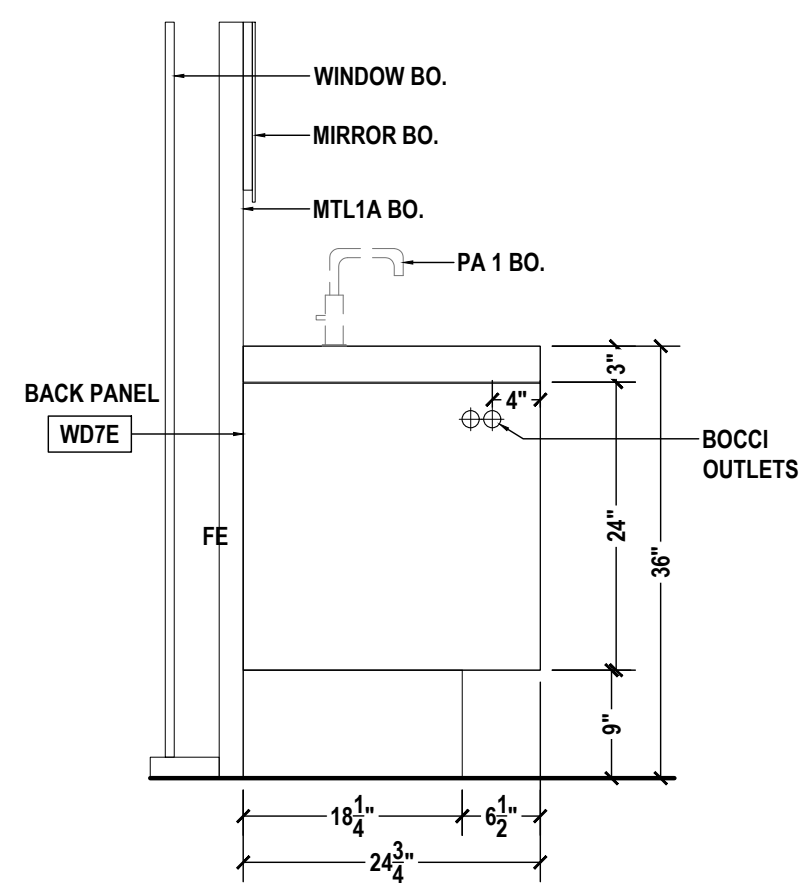
REVISIONS:			
No.	DATE	DESCRIPTIONS	BY:
△	-	-	-
△	-	-	-
△	-	-	-
△	-	-	-
△	-	-	-
△	-	-	-
△	-	-	-

APPROVAL DATE	-
PLOT DATE	11/13/2024
PROJECT NUMBER	-----
ROOM NAME	123 - M BED
SHEET NUMBER	123.02

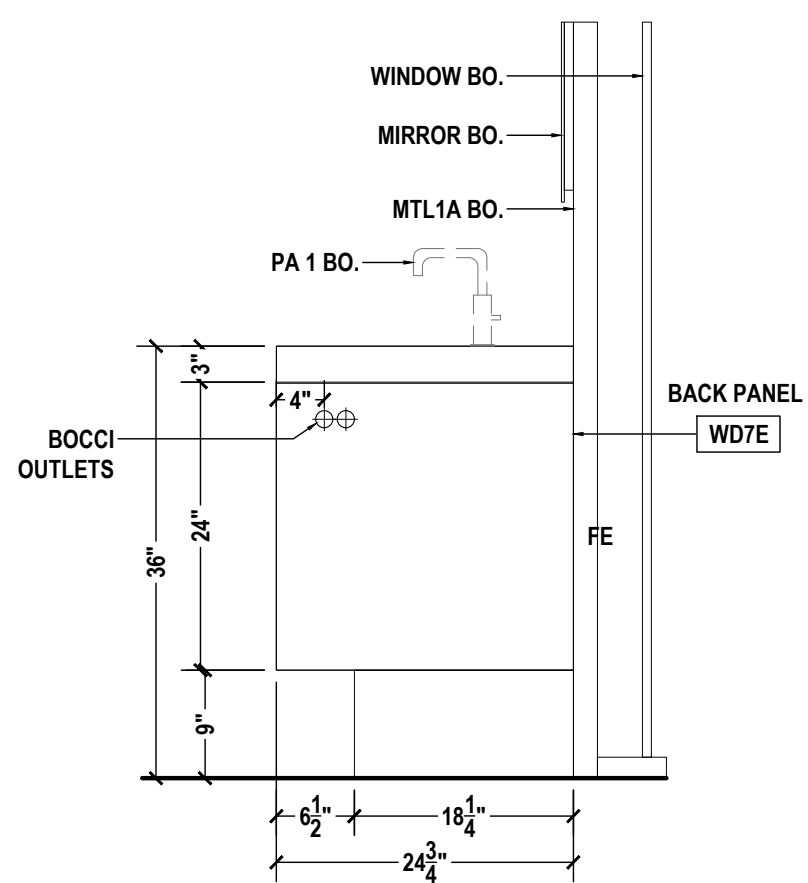
**** NOTE TO ARCH AND G.C. ****
 REFERENCE RFI LIST ON SHEET 1CS.03
 PLEASE CONFIRM IF BACK WILL HAVE
 FINISH PANEL



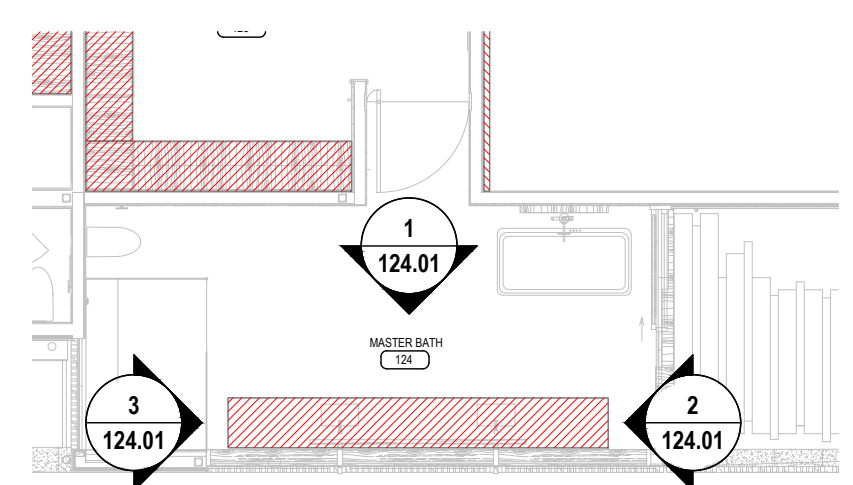
1 124 - MASTER BATH
 ELEVATION
 SCALE: 3/4"=1'-0" ARCH REF.: 3/A5.05



2 124 - MASTER BATH
 ELEVATION
 SCALE: 3/4"=1'-0" ARCH REF.: N/A



3 124 - MASTER BATH
 ELEVATION
 SCALE: 3/4"=1'-0" ARCH REF.: N/A



QCP	YES <input type="checkbox"/>	NO <input checked="" type="checkbox"/>
LEED	YES <input type="checkbox"/>	NO <input checked="" type="checkbox"/>
FSC	YES <input type="checkbox"/>	NO <input checked="" type="checkbox"/>
NAUF	YES <input type="checkbox"/>	NO <input checked="" type="checkbox"/>

FINISHES:

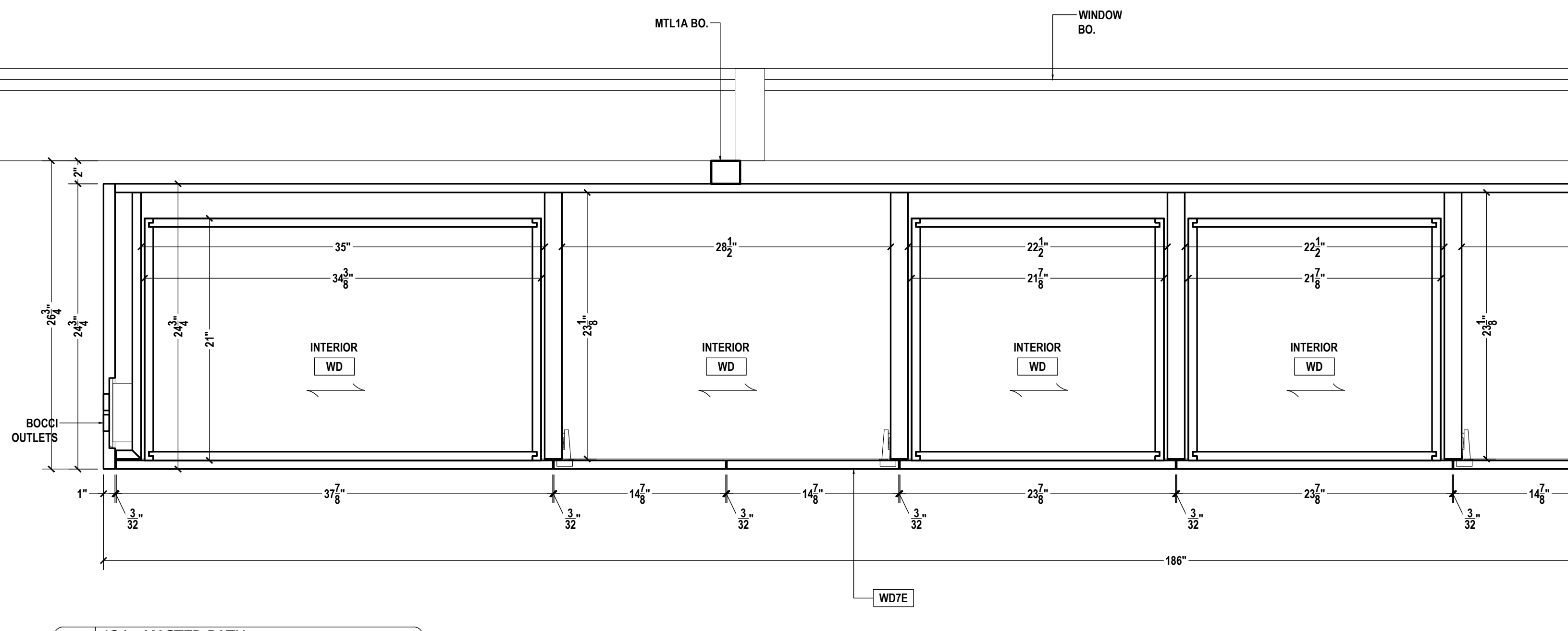
KEY	WOOD COLOR	GRAIN
WD7E	STAINED RIFT SAWN WHITE OAK	YES
KEY	INTERIOR FINISHES COLOR	GRAIN
WD	PREFINISHED MAPLE	YES
KEY	SPECIALS COLOR	GRAIN
MTL2A	METAL TO MATCH SUB RAW WHITE BRONZE	NO

PM:	-
DRAWN BY:	TMS
DATE DRAWN:	10/11/2024
REVIEWED BY:	-

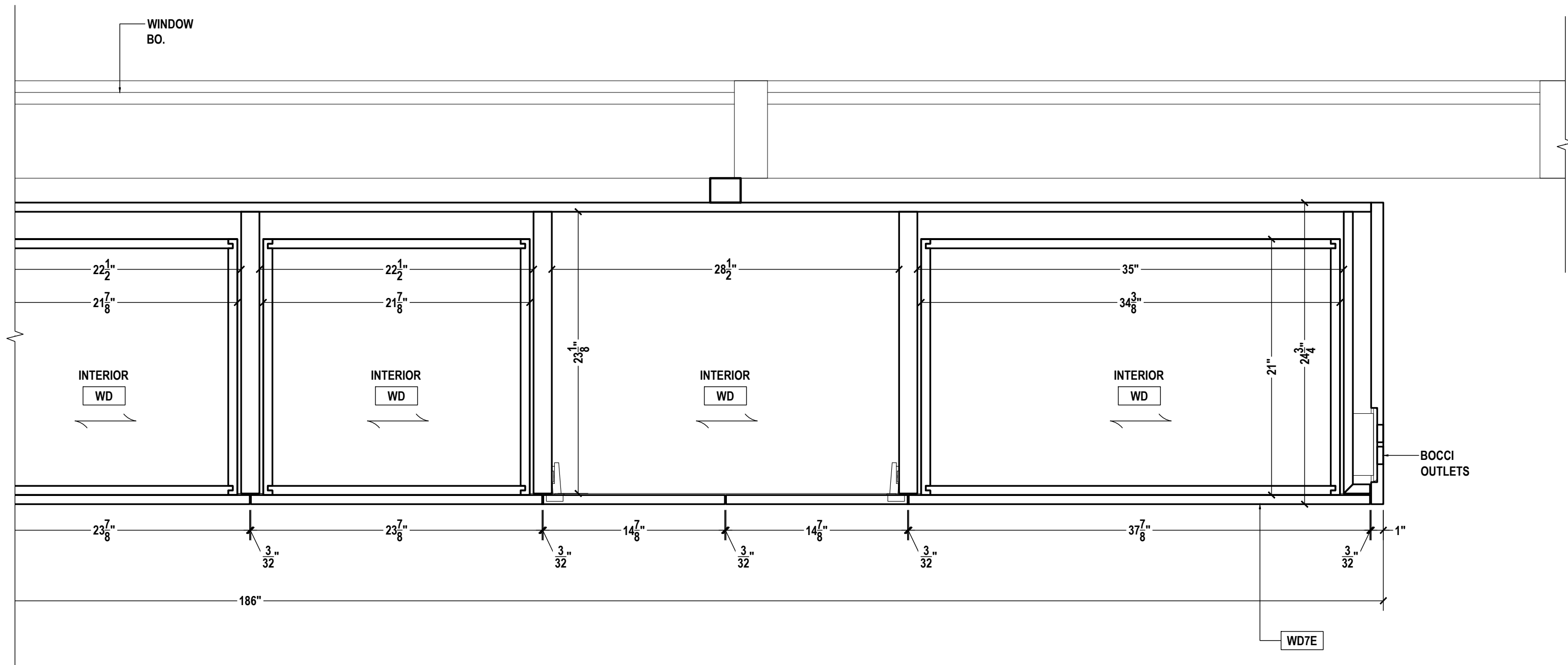
REVISIONS:

No.	DATE	DESCRIPTIONS	BY:
△	-	-	-
△	-	-	-
△	-	-	-
△	-	-	-
△	-	-	-
△	-	-	-
△	-	-	-
△	-	-	-

APPROVAL DATE	-
PLOT DATE	11/13/2024
PROJECT NUMBER	-----
ROOM NAME	124 - M BATH
SHEET NUMBER	124.01



1 124 - MASTER BATH
 PLAN SECTION
 SCALE: 1-1/2"=1'-0" ARCH REF.: N/A



2 124 - MASTER BATH
 PLAN SECTION
 SCALE: 1-1/2"=1'-0" ARCH REF.: N/A



QCP	YES <input type="checkbox"/>	NO <input checked="" type="checkbox"/>
LEED	YES <input type="checkbox"/>	NO <input checked="" type="checkbox"/>
FSC	YES <input type="checkbox"/>	NO <input checked="" type="checkbox"/>
NAUF	YES <input type="checkbox"/>	NO <input checked="" type="checkbox"/>

FINISHES:

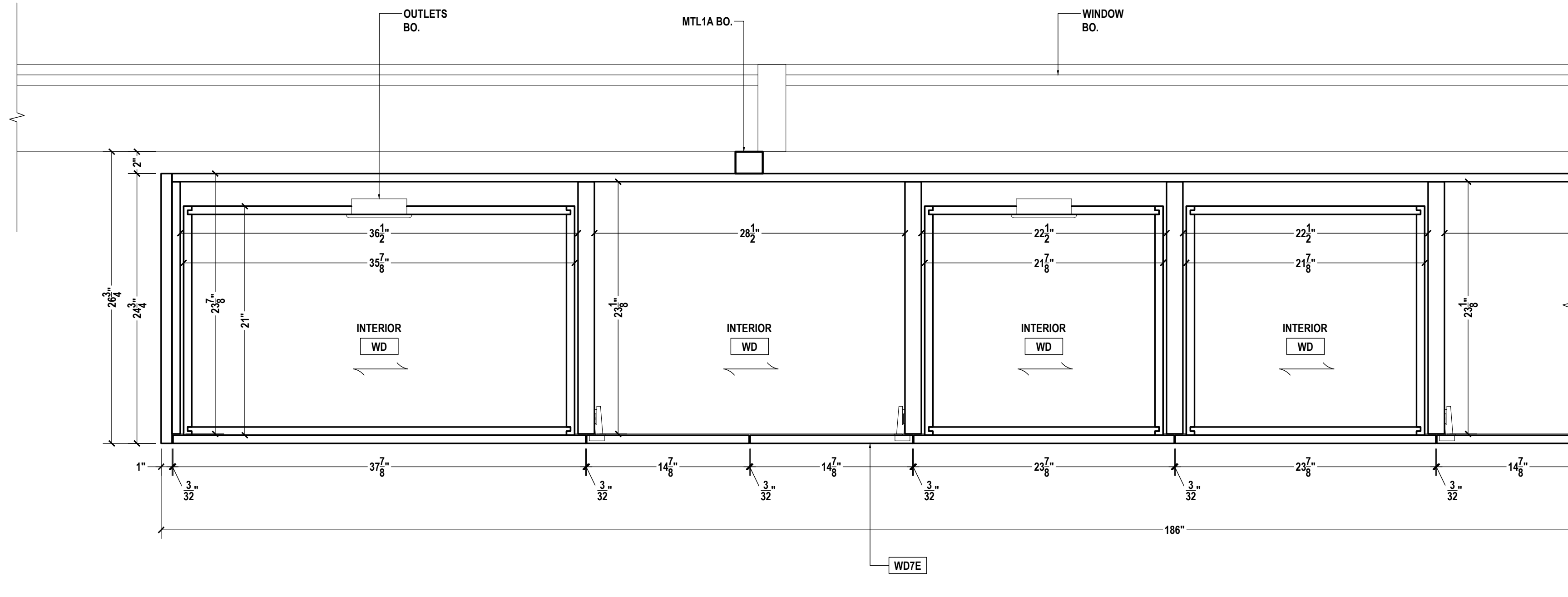
WOOD		GRAIN
KEY	COLOR	
WD7E	STAINED RIFT SAWN WHITE OAK	YES
INTERIOR FINISHES		GRAIN
KEY	COLOR	
WD	PREFINISHED MAPLE	YES
SPECIALS		GRAIN
KEY	COLOR	
MTL2A	METAL TO MATCH SVB RAW WHITE BRONZE	NO

PM:	-
DRAWN BY:	TMS
DATE DRAWN:	10/11/2024
REVIEWED BY:	-

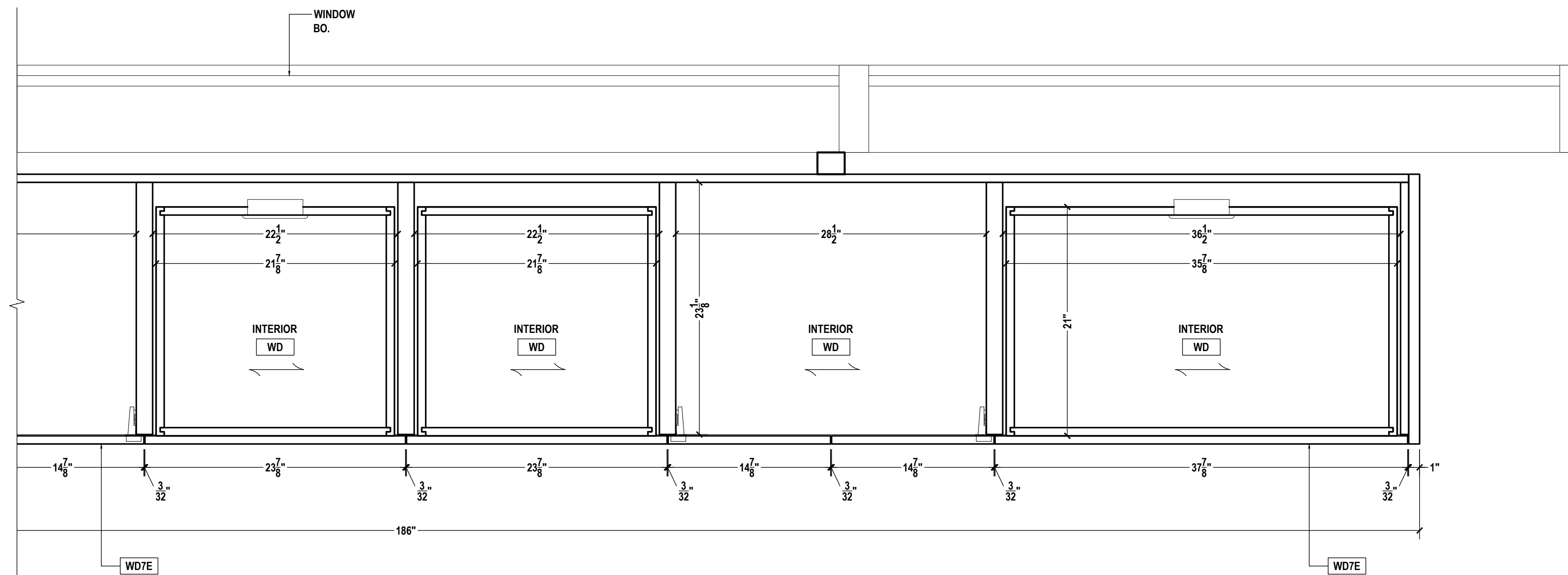
REVISIONS:

No.	DATE	DESCRIPTIONS	BY:
△	-	-	-
△	-	-	-
△	-	-	-
△	-	-	-
△	-	-	-
△	-	-	-
△	-	-	-

APPROVAL DATE	-
PLOT DATE	11/13/2024
PROJECT NUMBER	-----
ROOM NAME	124 - M BATH
SHEET NUMBER	124.02



1 124 - MASTER BATH
 PLAN SECTION
 SCALE: 1-1/2"=1'-0" ARCH REF.: N/A



2 124 - MASTER BATH
 PLAN SECTION
 SCALE: 1-1/2"=1'-0" ARCH REF.: N/A



QCP	YES <input type="checkbox"/>	NO <input checked="" type="checkbox"/>
LEED	YES <input type="checkbox"/>	NO <input checked="" type="checkbox"/>
FSC	YES <input type="checkbox"/>	NO <input checked="" type="checkbox"/>
NAUF	YES <input type="checkbox"/>	NO <input checked="" type="checkbox"/>

FINISHES:

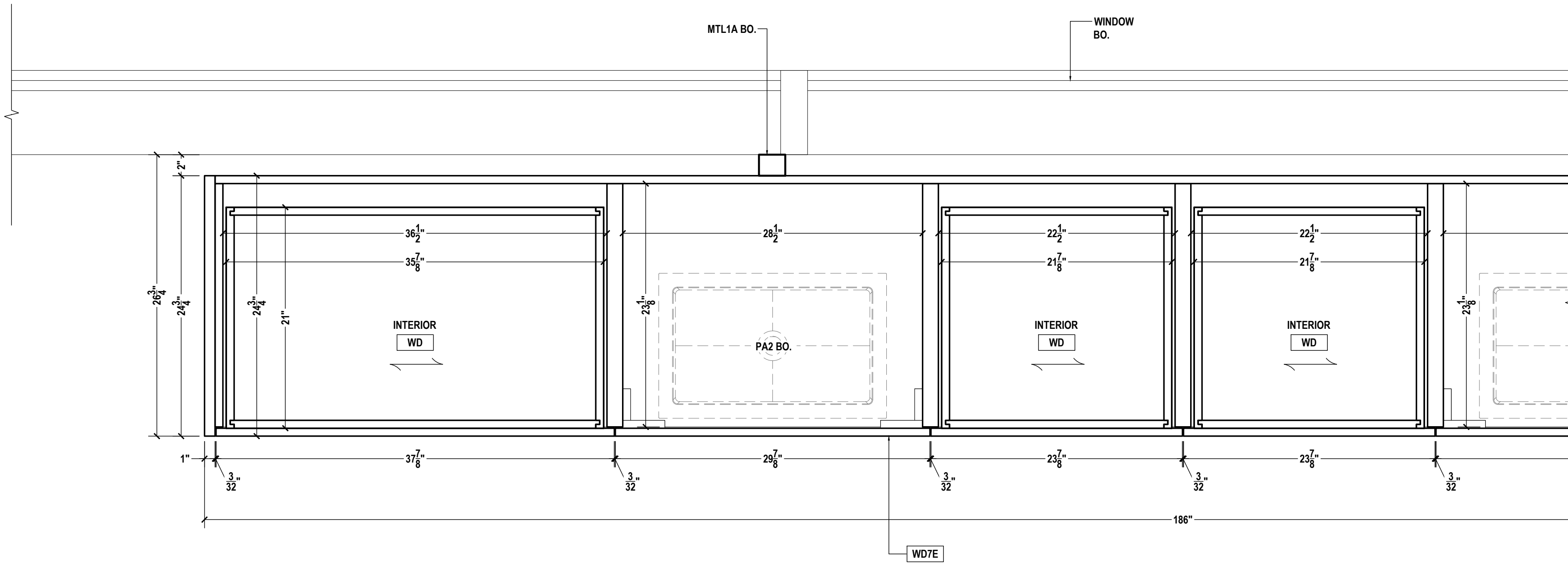
WOOD		GRAIN
KEY	COLOR	
WD7E	STAINED RIFT SAWN WHITE OAK	YES
INTERIOR FINISHES		GRAIN
KEY	COLOR	
WD	PREFINISHED MAPLE	YES
SPECIALS		GRAIN
KEY	COLOR	
MTL2A	METAL TO MATCH SVB RAW WHITE BRONZE	NO

PM:	-
DRAWN BY:	TMS
DATE DRAWN:	10/11/2024
REVIEWED BY:	-

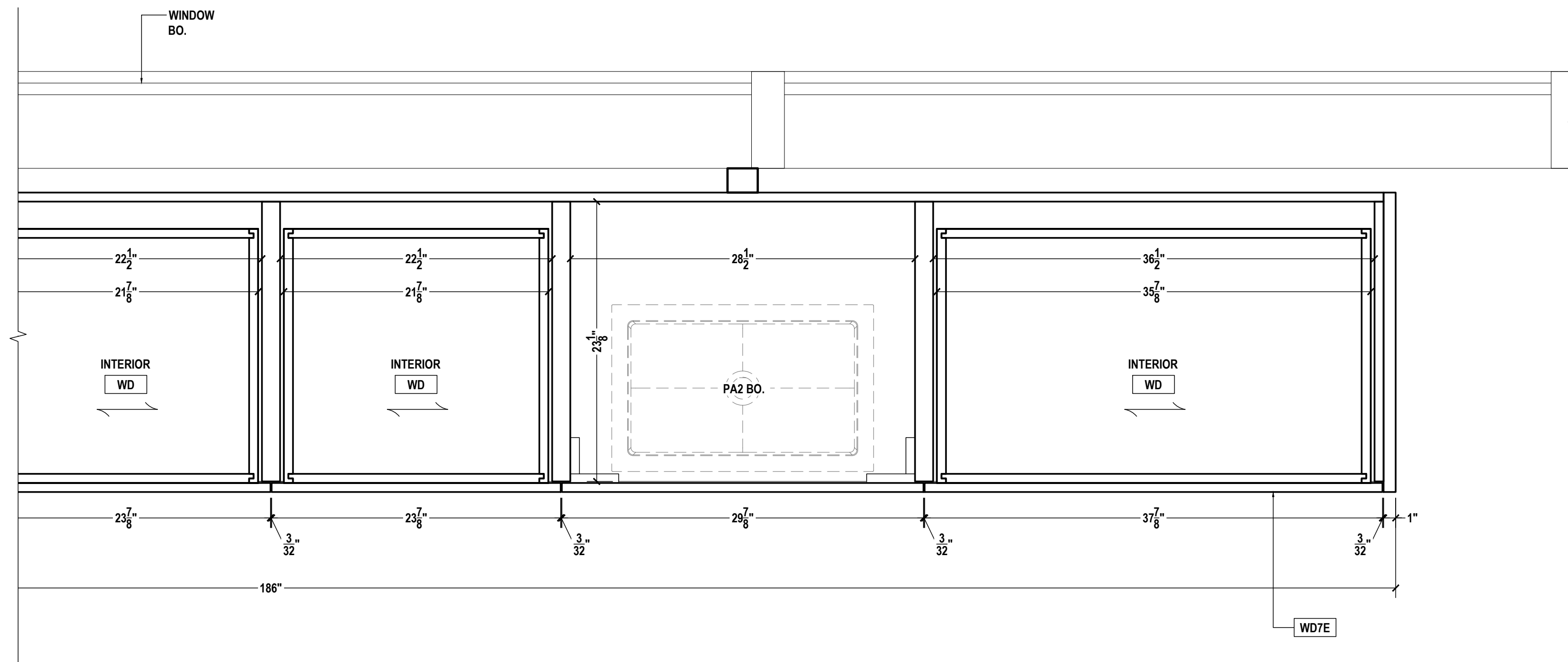
REVISIONS:

No.	DATE:	DESCRIPTIONS:	BY:
△	-	-	-
△	-	-	-
△	-	-	-
△	-	-	-
△	-	-	-
△	-	-	-
△	-	-	-
△	-	-	-

APPROVAL DATE	-
PLOT DATE	11/13/2024
PROJECT NUMBER	-----
ROOM NAME	124 - M BATH
SHEET NUMBER	124.03



1 124 - MASTER BATH
 PLAN SECTION
 SCALE: 1-1/2"=1'-0" ARCH REF.: N/A



2 124 - MASTER BATH
 PLAN SECTION
 SCALE: 1-1/2"=1'-0" ARCH REF.: N/A

	QCP	YES <input type="checkbox"/>	NO <input checked="" type="checkbox"/>
	LEED	YES <input type="checkbox"/>	NO <input checked="" type="checkbox"/>
	FSC	YES <input type="checkbox"/>	NO <input checked="" type="checkbox"/>
	NAUF	YES <input type="checkbox"/>	NO <input checked="" type="checkbox"/>

FINISHES:

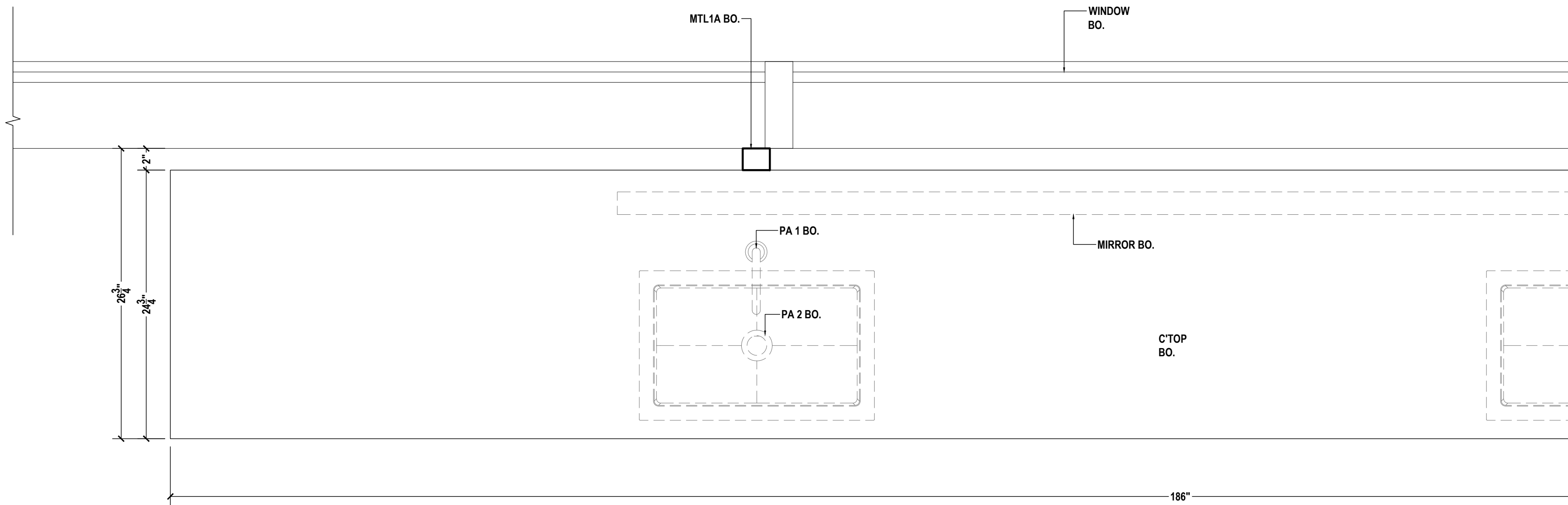
WOOD		GRAIN
KEY	COLOR	
WD7E	STAINED RIFT SAWN WHITE OAK	YES
INTERIOR FINISHES		GRAIN
KEY	COLOR	
WD	PREFINISHED MAPLE	YES
SPECIALS		GRAIN
KEY	COLOR	
MTL2A	METAL TO MATCH SVB RAW WHITE BRONZE	NO

PM:	-
DRAWN BY:	TMS
DATE DRAWN:	10/11/2024
REVIEWED BY:	-

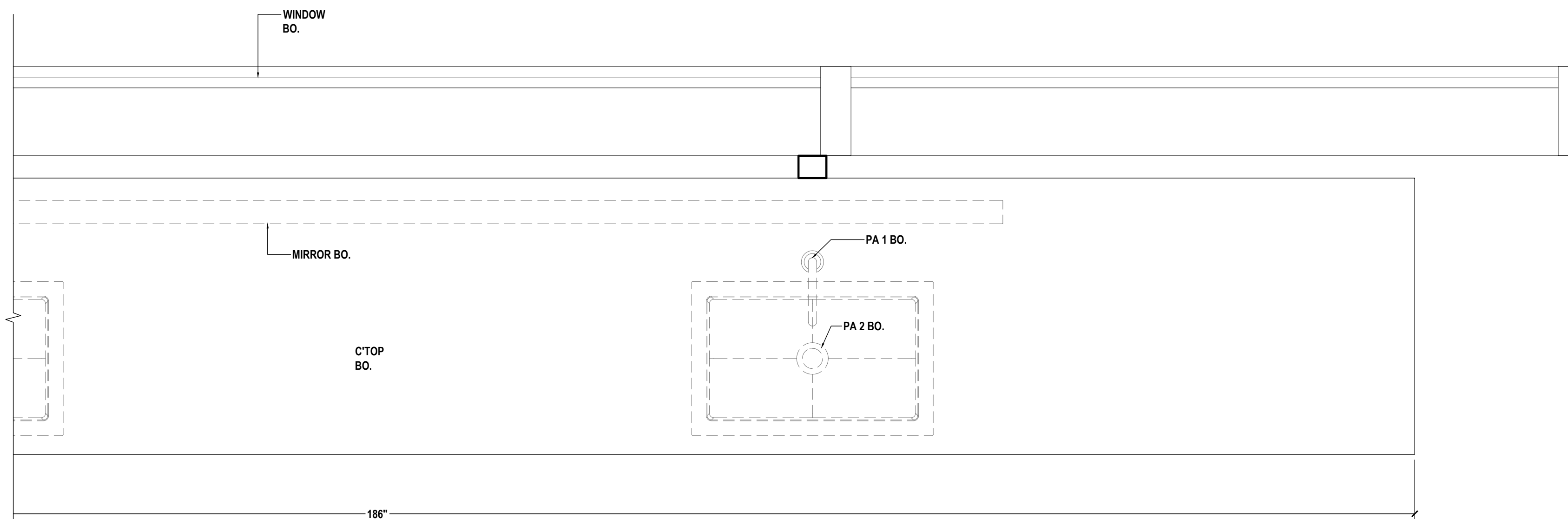
REVISIONS:

No.	DATE	DESCRIPTIONS	BY:
△	-	-	-
△	-	-	-
△	-	-	-
△	-	-	-
△	-	-	-
△	-	-	-
△	-	-	-
△	-	-	-

APPROVAL DATE	-
PLOT DATE	11/13/2024
PROJECT NUMBER	-----
ROOM NAME	124 - M BATH
SHEET NUMBER	124.04



1 124 - MASTER BATH
 PLAN SECTION
 SCALE: 1-1/2"=1'-0" ARCH REF.: 1/A2.10



2 124 - MASTER BATH
 PLAN SECTION
 SCALE: 1-1/2"=1'-0" ARCH REF.: N/A

	QCP	YES <input type="checkbox"/>	NO <input checked="" type="checkbox"/>
	LEED	YES <input type="checkbox"/>	NO <input checked="" type="checkbox"/>
	FSC	YES <input type="checkbox"/>	NO <input checked="" type="checkbox"/>
	NAUF	YES <input type="checkbox"/>	NO <input checked="" type="checkbox"/>

FINISHES:

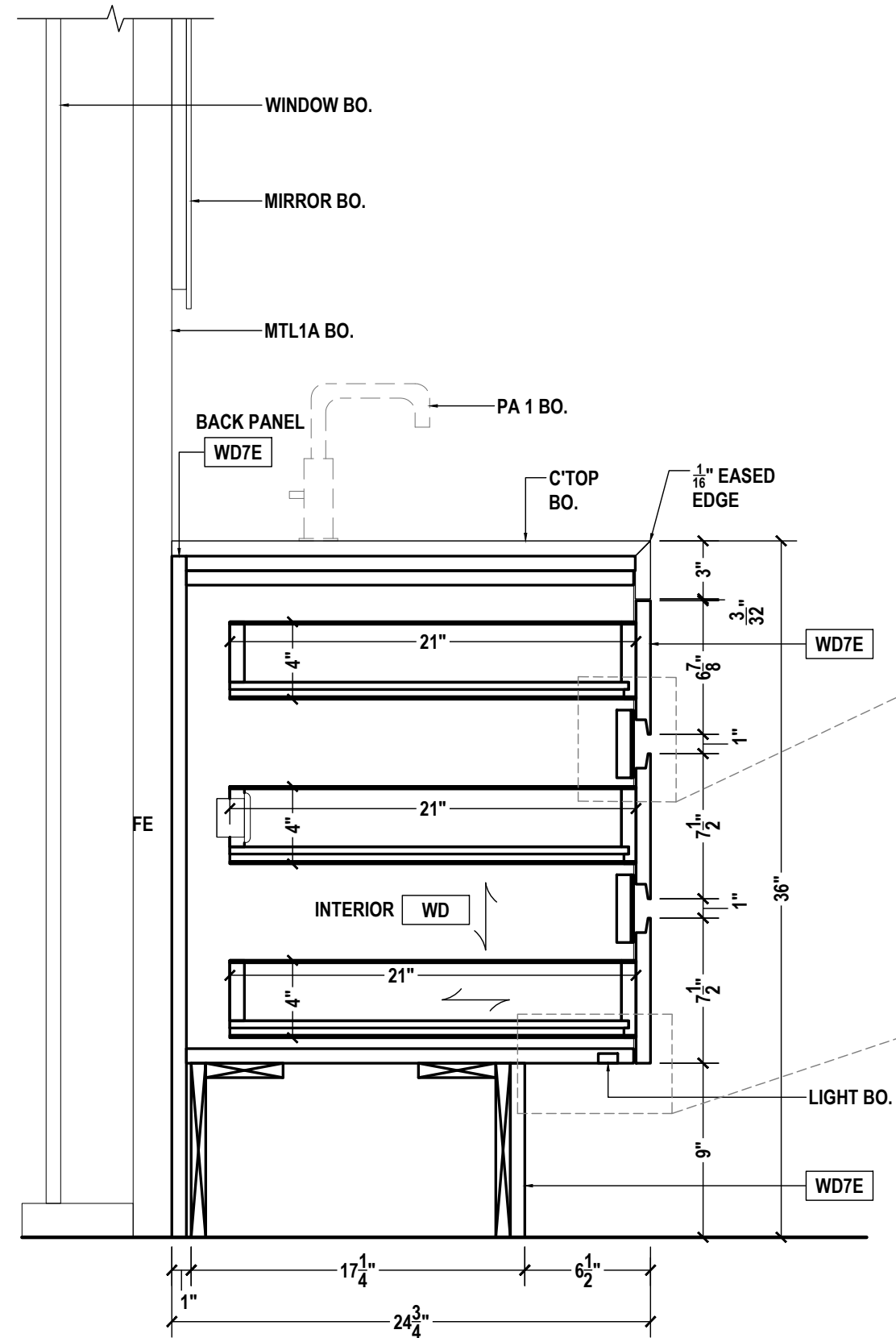
WOOD		GRAIN
KEY	COLOR	
W07E	STAINED RIFT SAWN WHITE OAK	YES
INTERIOR FINISHES		GRAIN
KEY	COLOR	
WD	PREFINISHED MAPLE	YES
SPECIALS		GRAIN
KEY	COLOR	
MTL2A	METAL TO MATCH SVB RAW WHITE BRONZE	NO

PM:	-
DRAWN BY:	TMS
DATE DRAWN:	10/11/2024
REVIEWED BY:	-

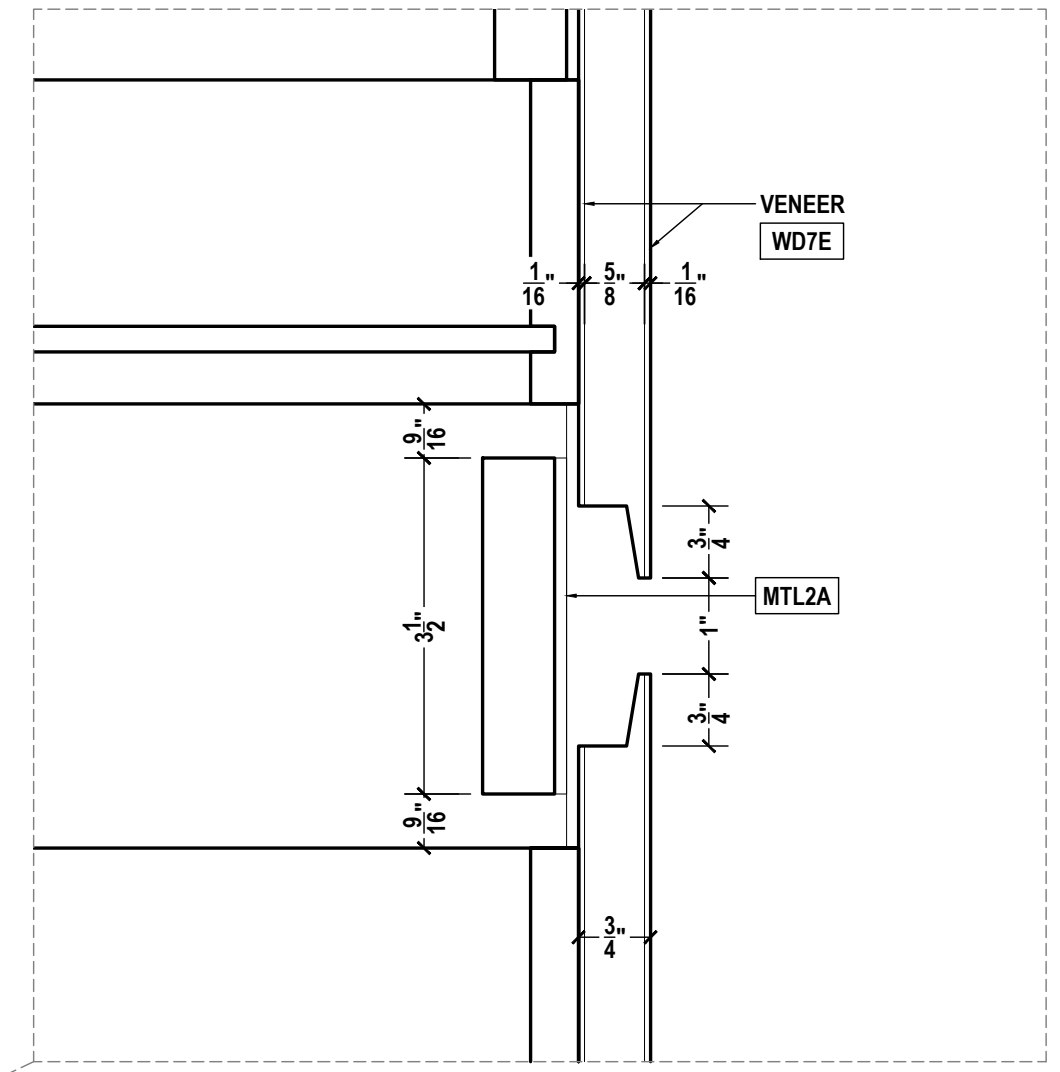
REVISIONS:

No.	DATE:	DESCRIPTIONS:	BY:
△	-	-	-
△	-	-	-
△	-	-	-
△	-	-	-
△	-	-	-
△	-	-	-
△	-	-	-
△	-	-	-

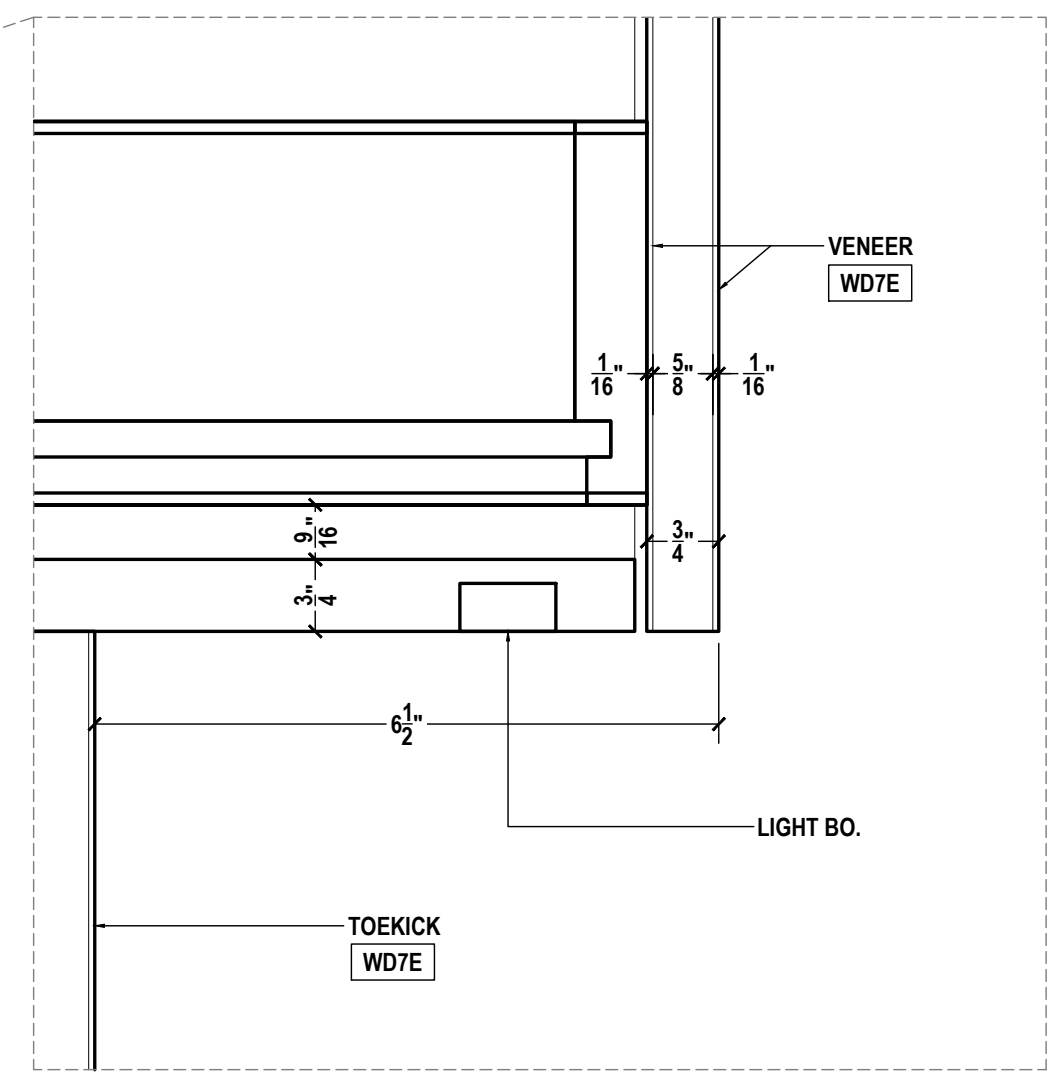
APPROVAL DATE	-
PLOT DATE	11/13/2024
PROJECT NUMBER	-----
ROOM NAME	124 - M BATH
SHEET NUMBER	124.05



1 124 - MASTER BATH
SECTION
SCALE: 1-1/2"=1'-0" ARCH REF.: N/A



2 124 - MASTER BATH
DETAIL
SCALE: 6"=1'0" ARCH REF.: N/A



3 124 - MASTER BATH
DETAIL
SCALE: 6"=1'0" ARCH REF.: 10/A9.21



QCP	YES <input type="checkbox"/>	NO <input checked="" type="checkbox"/>
LEED	YES <input type="checkbox"/>	NO <input checked="" type="checkbox"/>
FSC	YES <input type="checkbox"/>	NO <input checked="" type="checkbox"/>
NAUF	YES <input type="checkbox"/>	NO <input checked="" type="checkbox"/>

FINISHES:

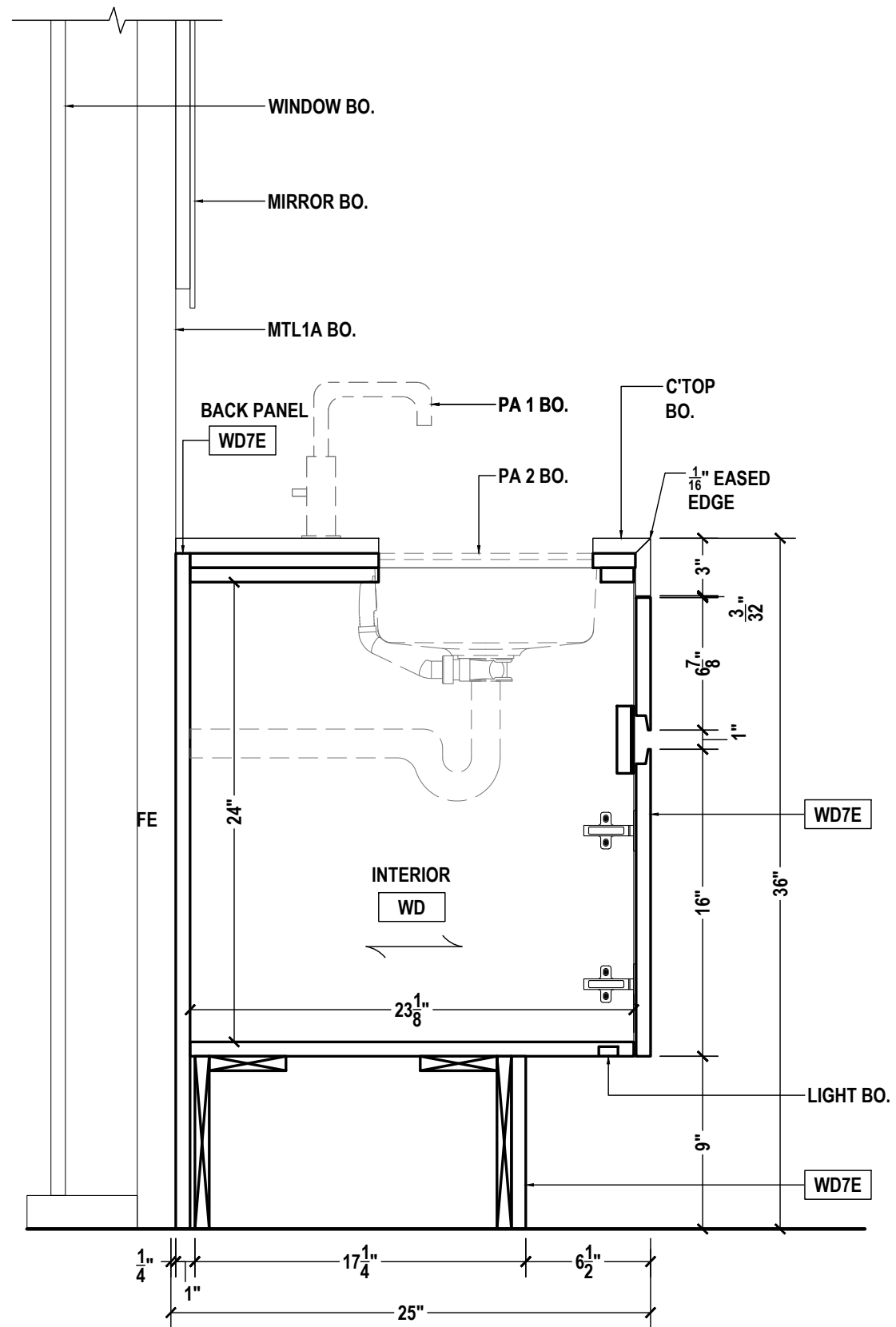
WOOD		GRAIN
KEY	COLOR	
WD7E	STAINED RIFT SAWN WHITE OAK	YES
INTERIOR FINISHES		GRAIN
KEY	COLOR	
WD	PREFINISHED MAPLE	YES
SPECIALS		GRAIN
KEY	COLOR	
MTL2A	METAL TO MATCH SVB RAW WHITE BRONZE	NO

PM:	-
DRAWN BY:	TMS
DATE DRAWN:	10/11/2024
REVIEWED BY:	-

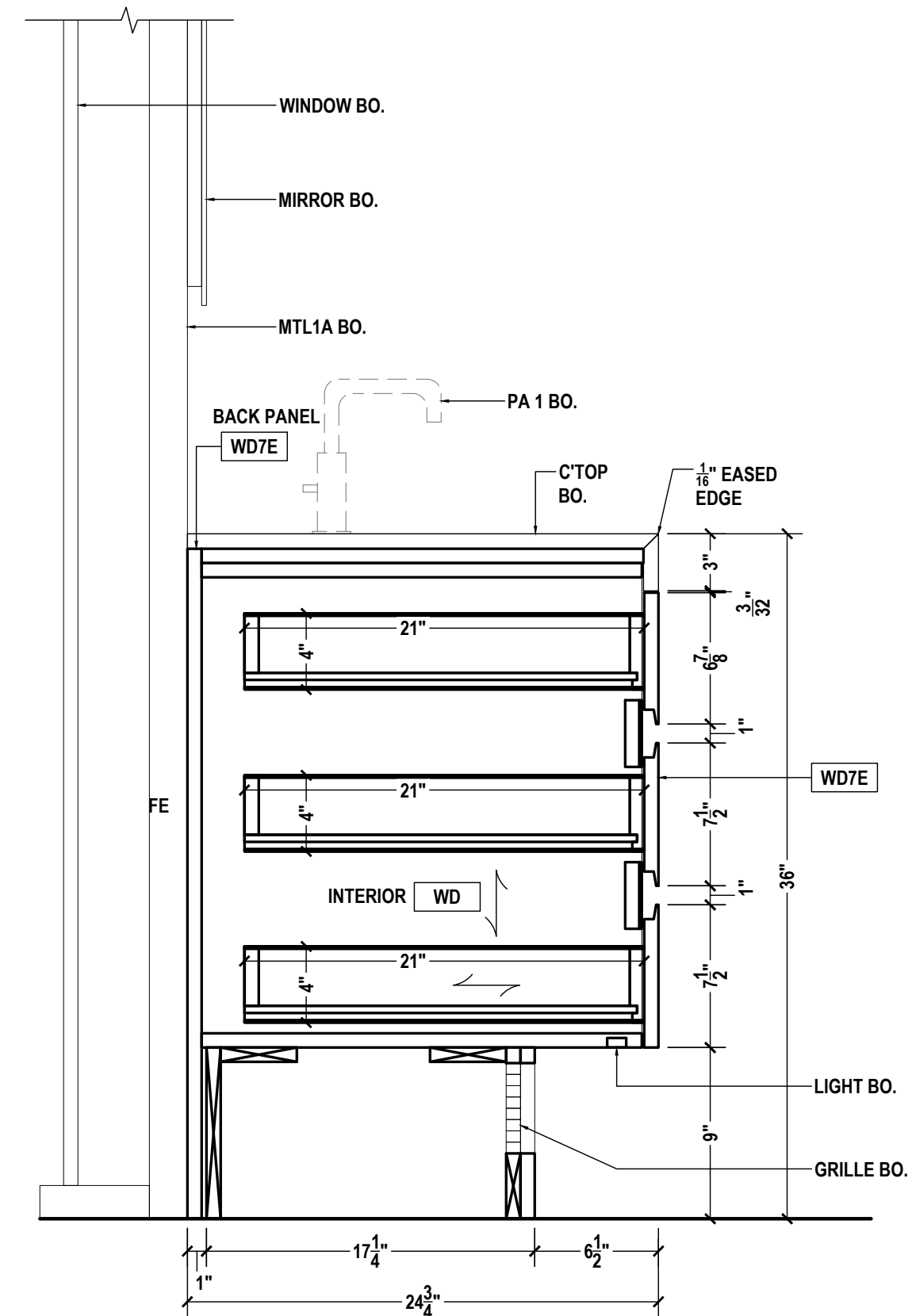
REVISIONS:

No.	DATE:	DESCRIPTIONS:	BY:
△	-	-	-
△	-	-	-
△	-	-	-
△	-	-	-
△	-	-	-
△	-	-	-
△	-	-	-
△	-	-	-

APPROVAL DATE	-
PLOT DATE	11/13/2024
PROJECT NUMBER	-----
ROOM NAME	124 - M BATH
SHEET NUMBER	124.06



1 124 - MASTER BATH SECTION
 SCALE: 1-1/2"=1'-0" ARCH REF.: 5/A9.02



2 124 - MASTER BATH SECTION
 SCALE: 1-1/2"=1'-0" ARCH REF.: N/A



QCP	YES <input type="checkbox"/>	NO <input checked="" type="checkbox"/>
LEED	YES <input type="checkbox"/>	NO <input checked="" type="checkbox"/>
FSC	YES <input type="checkbox"/>	NO <input checked="" type="checkbox"/>
NAUF	YES <input type="checkbox"/>	NO <input checked="" type="checkbox"/>

FINISHES:

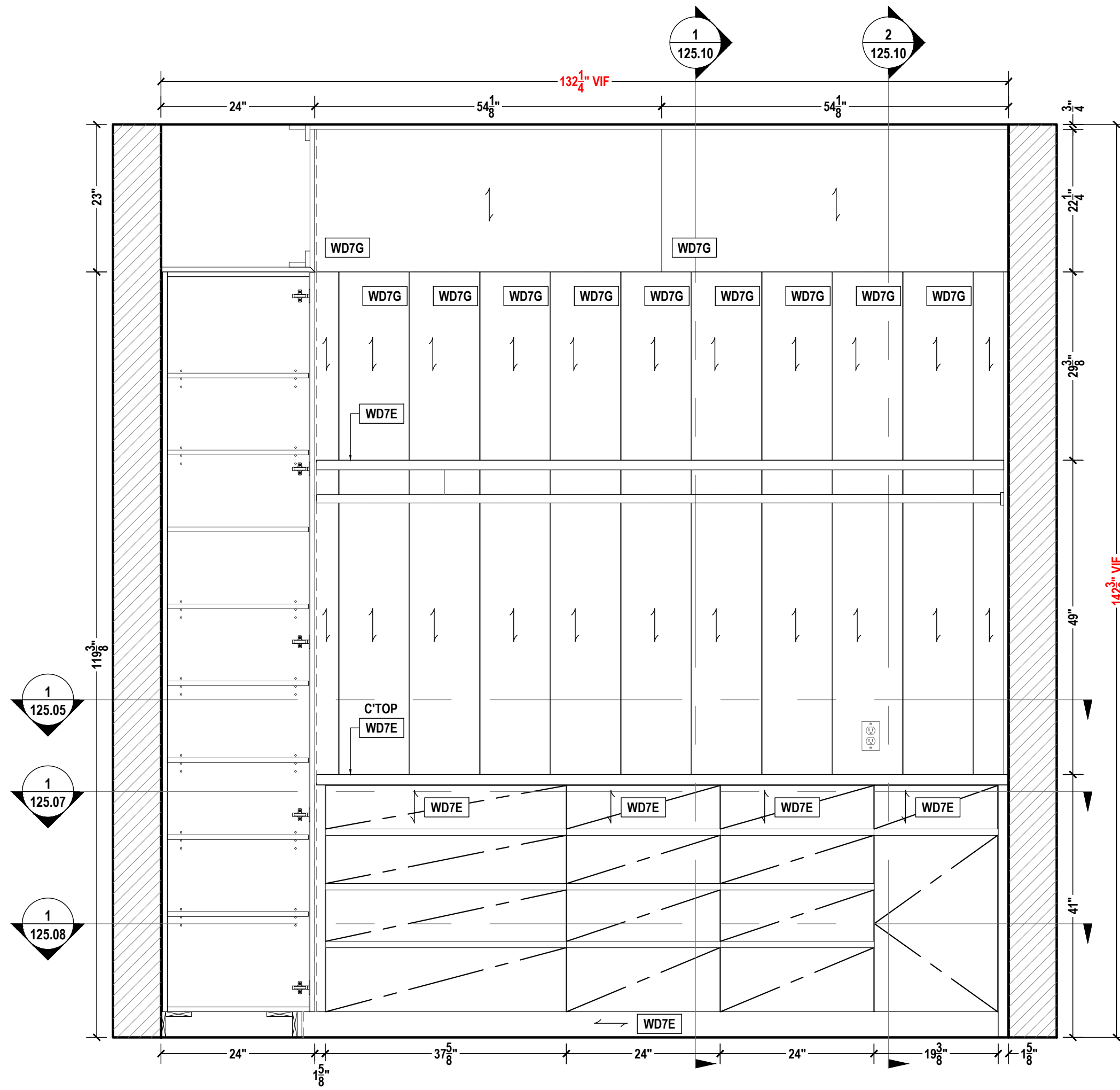
WOOD		
KEY	COLOR	GRAIN
WD7E	STAINED RIFT SAWN WHITE OAK	YES
INTERIOR FINISHES		
KEY	COLOR	GRAIN
WD	PREFINISHED MAPLE	YES
SPECIALS		
KEY	COLOR	GRAIN
MTL2A	METAL TO MATCH SVB RAW WHITE BRONZE	NO

PM:	-
DRAWN BY:	TMS
DATE DRAWN:	10/11/2024
REVIEWED BY:	-

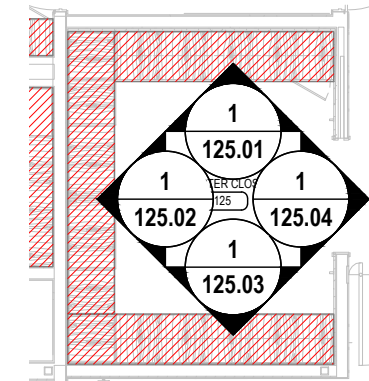
REVISIONS:

No.	DATE	DESCRIPTIONS	BY:
△	-	-	-
△	-	-	-
△	-	-	-
△	-	-	-
△	-	-	-
△	-	-	-
△	-	-	-

APPROVAL DATE	-
PLOT DATE	11/13/2024
PROJECT NUMBER	-----
ROOM NAME	124 - M BATH
SHEET NUMBER	124.07



1 125 - M CLOSET
ELEVATION
SCALE: 3/4"=1'-0"
ARCH REF.: 4/A5.12



	QCP	YES <input type="checkbox"/>	NO <input checked="" type="checkbox"/>
	LEED	YES <input type="checkbox"/>	NO <input checked="" type="checkbox"/>
	FSC	YES <input type="checkbox"/>	NO <input checked="" type="checkbox"/>
	NAUF	YES <input type="checkbox"/>	NO <input checked="" type="checkbox"/>

FINISHES:		
KEY	WOOD COLOR	GRAIN
WD7E	STAINED RIPT SAWN WHITE OAK	YES
WD7G	3/4" X 16" OAK VENEER T&G PANELING	YES
INTERIOR FINISHES		
KEY	COLOR	GRAIN
WD	PREFINISHED MAPLE	YES
SPECIALS		
KEY	COLOR	GRAIN
MTL2A	METAL TO MATCH SVB RAW WHITE BRONZE	NO

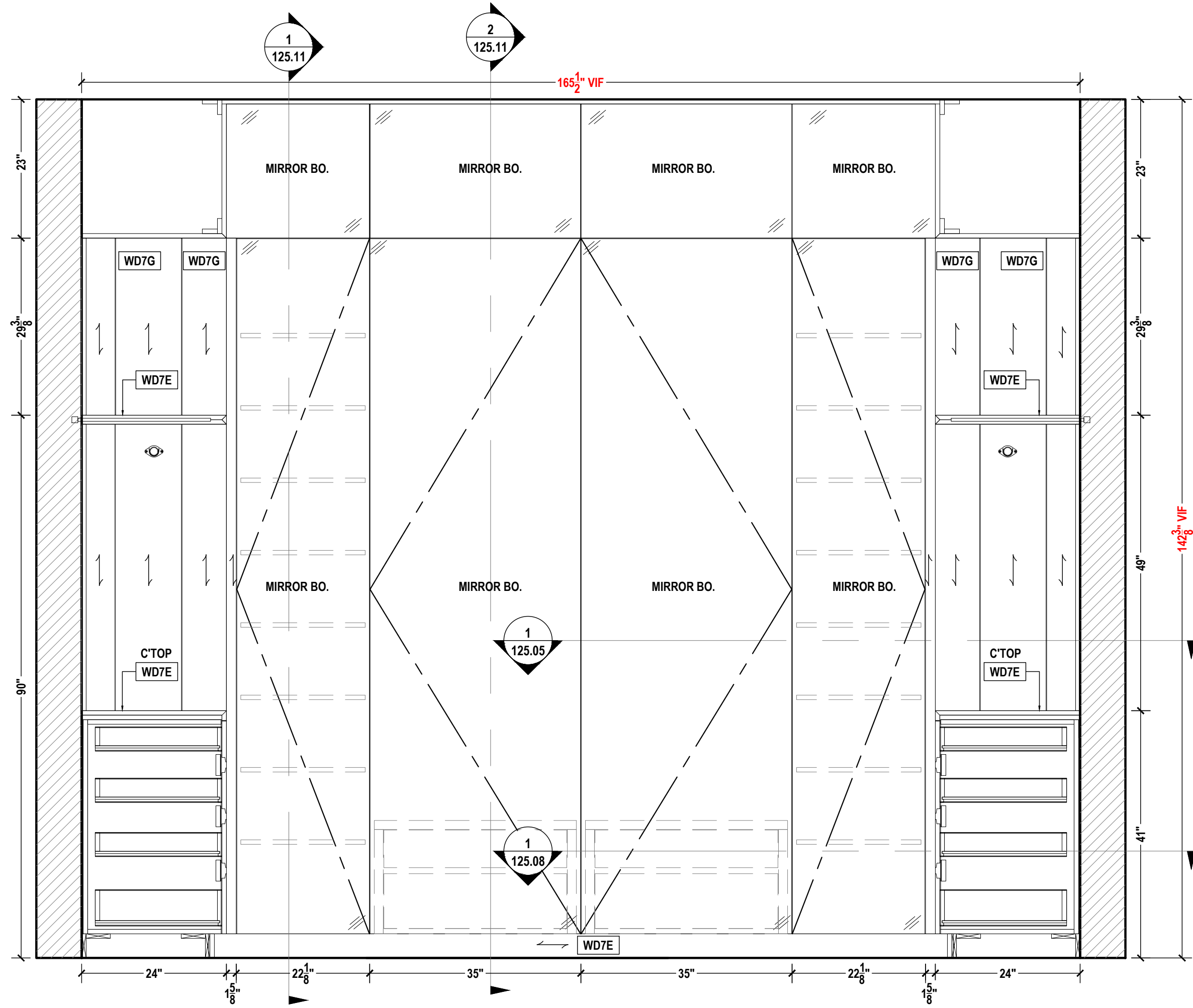
PM:	-
DRAWN BY:	TMS
DATE DRAWN:	10/11/2024
REVIEWED BY:	-

REVISIONS:			
No.	DATE:	DESCRIPTIONS:	BY:
△	-	-	-
△	-	-	-
△	-	-	-
△	-	-	-
△	-	-	-
△	-	-	-
△	-	-	-
△	-	-	-
△	-	-	-

APPROVAL DATE	-
PLOT DATE	11/13/2024
PROJECT NUMBER	-----
ROOM NAME	125 - M CLOSET
SHEET NUMBER	125.01

**** NOTE TO ARCH AND G.C. ****
 REFERENCE RFI LIST ON SHEET 1CS.02
 PLEASE CONFIRM HOW WARDROBE
 CABINET WILL OPEN

**** NOTE TO ARCH AND G.C. ****
 REFERENCE RFI LIST ON SHEET 1CS.02
 PLEASE SPECIFY MIRROR THICKNESS
 FOR WARDROBES



1 125 - M CLOSET
 ELEVATION
 SCALE: 3/4"=1'-0" ARCH REF.: 3/A5.12



QCP	YES <input type="checkbox"/>	NO <input checked="" type="checkbox"/>
LEED	YES <input type="checkbox"/>	NO <input checked="" type="checkbox"/>
FSC	YES <input type="checkbox"/>	NO <input checked="" type="checkbox"/>
NAUF	YES <input type="checkbox"/>	NO <input checked="" type="checkbox"/>

FINISHES:

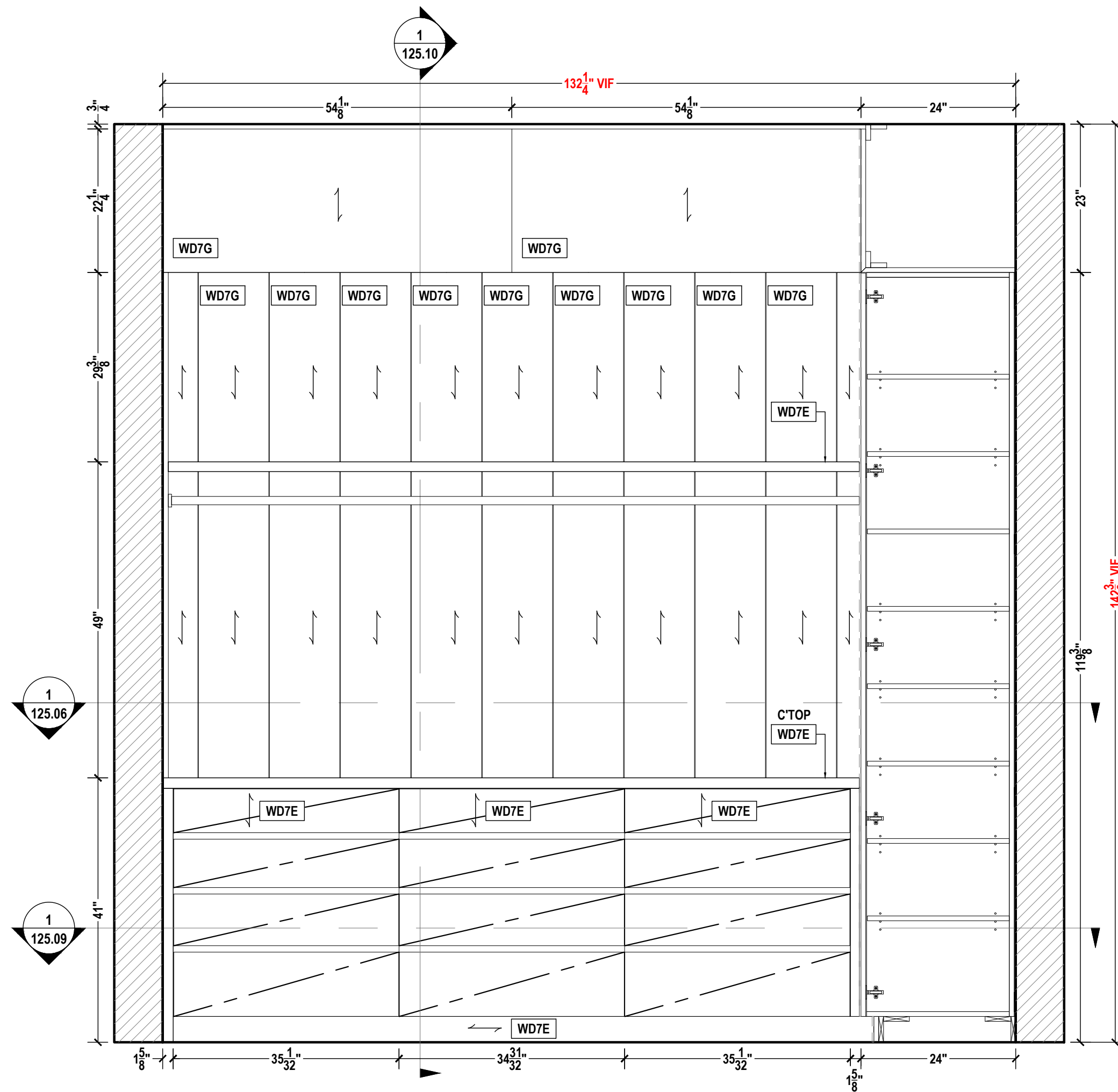
WOOD		GRAIN
KEY	COLOR	
WD7E	STAINED RIPT SAWN WHITE OAK	YES
WD7G	1 1/2" X 16" OAK VENEER T&G PANELING	YES
INTERIOR FINISHES		GRAIN
KEY	COLOR	
WD	PREFINISHED MAPLE	YES
SPECIALS		GRAIN
KEY	COLOR	
MTL2A	METAL TO MATCH SVB RAW WHITE BRONZE	NO

PM:	-
DRAWN BY:	TMS
DATE DRAWN:	10/11/2024
REVIEWED BY:	-

REVISIONS:

No.	DATE:	DESCRIPTIONS:	BY:
△	-	-	-
△	-	-	-
△	-	-	-
△	-	-	-
△	-	-	-
△	-	-	-
△	-	-	-

APPROVAL DATE	-
PLOT DATE	11/13/2024
PROJECT NUMBER	-----
ROOM NAME	125 - M CLOSET
SHEET NUMBER	125.02



1 125 - M CLOSET
ELEVATION
SCALE: 3/4"=1'-0" ARCH REF.: 2/A5.12



QCP	YES <input type="checkbox"/>	NO <input checked="" type="checkbox"/>
LEED	YES <input type="checkbox"/>	NO <input checked="" type="checkbox"/>
FSC	YES <input type="checkbox"/>	NO <input checked="" type="checkbox"/>
NAUF	YES <input type="checkbox"/>	NO <input checked="" type="checkbox"/>

FINISHES:

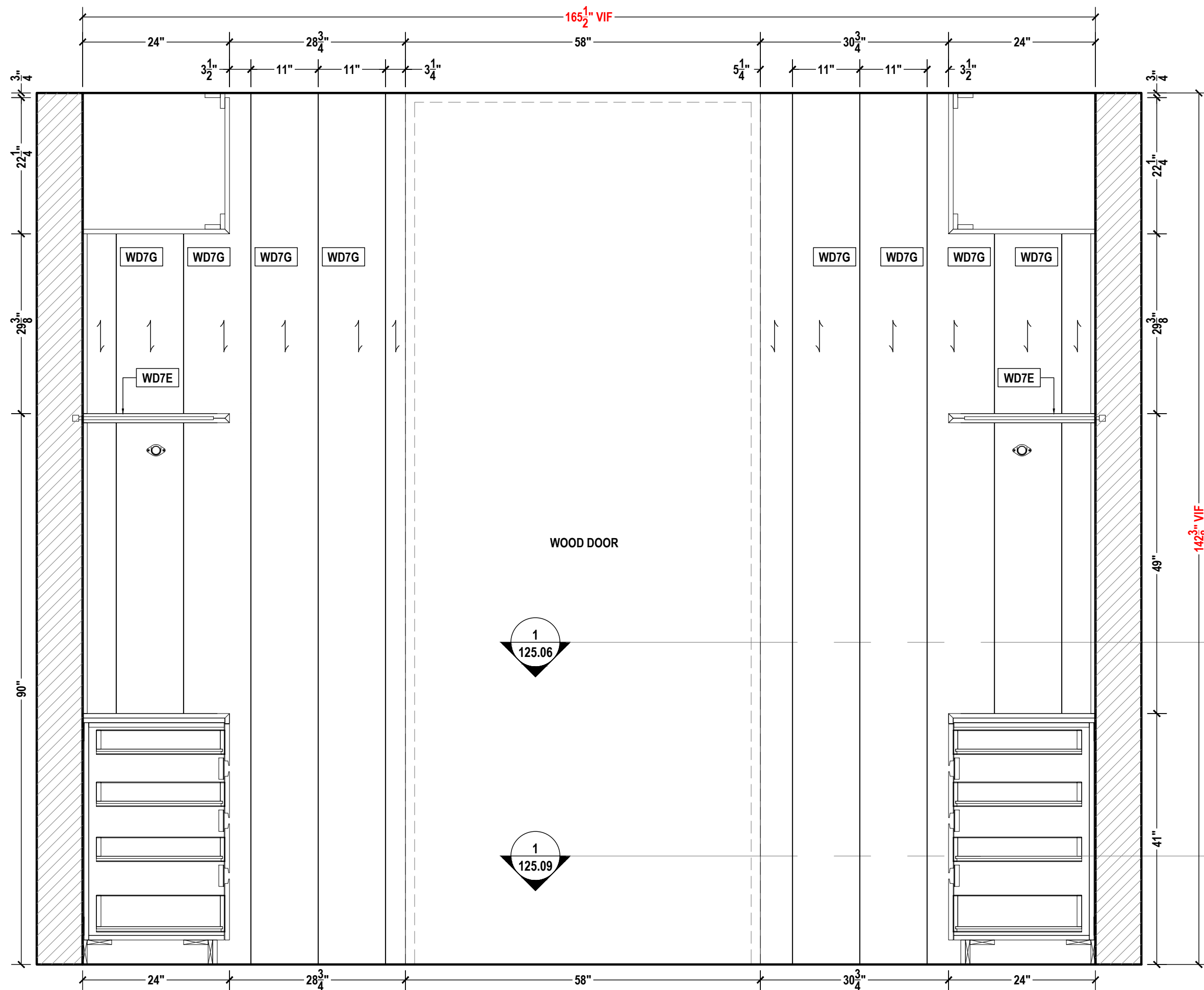
WOOD		
KEY	COLOR	GRAIN
WD7E	STAINED RIFT SAWN WHITE OAK	YES
WD7G	3/4" X 16" OAK VENEER T&G PANELING	YES
INTERIOR FINISHES		
KEY	COLOR	GRAIN
WD	PREFINISHED MAPLE	YES
SPECIALS		
KEY	COLOR	GRAIN
MTL2A	METAL TO MATCH SVB RAW WHITE BRONZE	NO

PM:	-
DRAWN BY:	TMS
DATE DRAWN:	10/11/2024
REVIEWED BY:	-

REVISIONS:

No.	DATE:	DESCRIPTIONS:	BY:
△	-	-	-
△	-	-	-
△	-	-	-
△	-	-	-
△	-	-	-
△	-	-	-
△	-	-	-

APPROVAL DATE	-
PLOT DATE	11/13/2024
PROJECT NUMBER	-----
ROOM NAME	125 - M CLOSET
SHEET NUMBER	125.03



1 125 - M CLOSET
ELEVATION
SCALE: 3/4"=1'-0" ARCH REF.: 5/A5.12



QCP	YES <input type="checkbox"/>	NO <input checked="" type="checkbox"/>
LEED	YES <input type="checkbox"/>	NO <input checked="" type="checkbox"/>
FSC	YES <input type="checkbox"/>	NO <input checked="" type="checkbox"/>
NAUF	YES <input type="checkbox"/>	NO <input checked="" type="checkbox"/>

FINISHES:

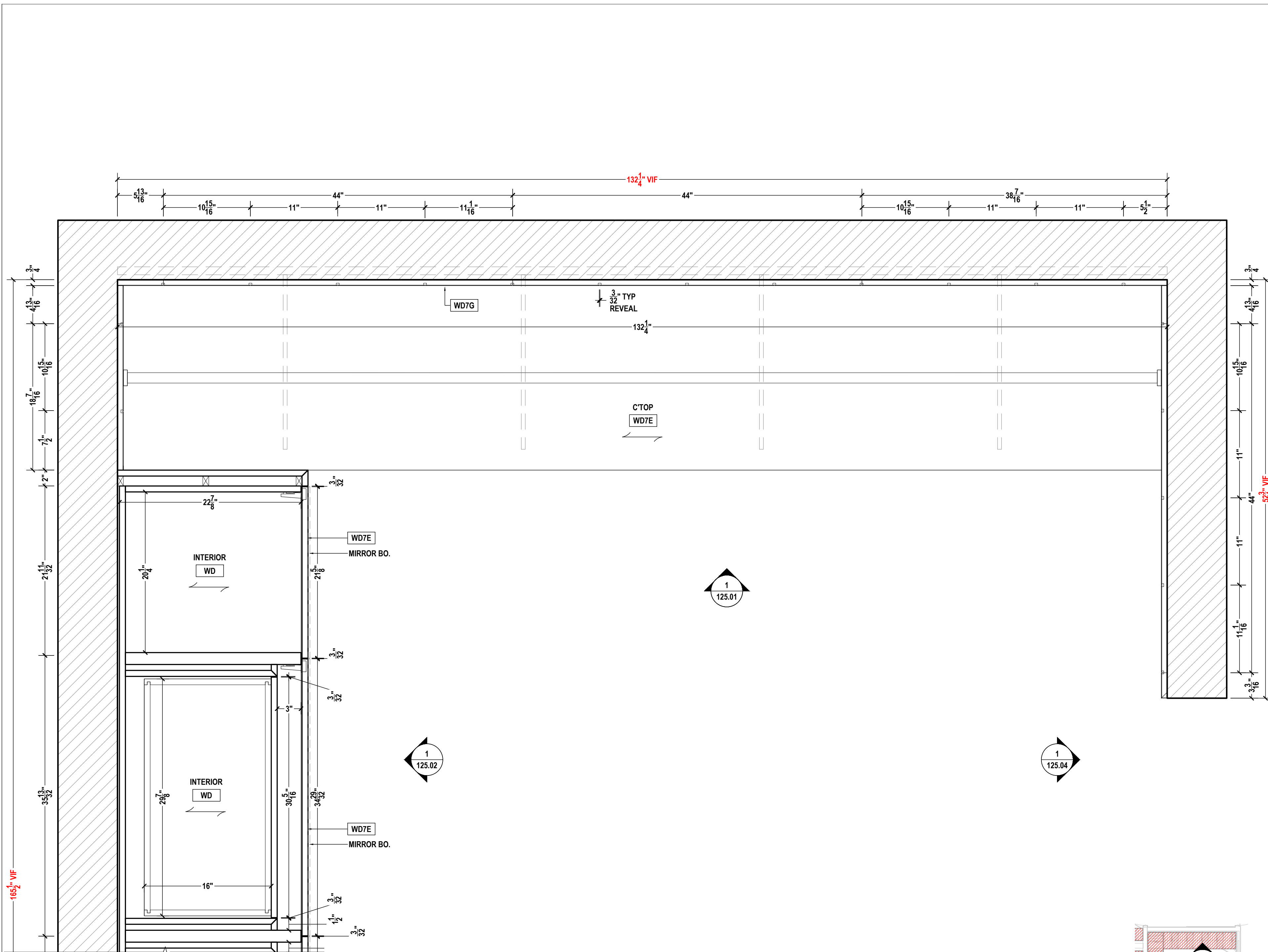
WOOD		
KEY	COLOR	GRAIN
WD7E	STAINED RIPT SAWN WHITE OAK	YES
WD7G	3/4" X 16" OAK VENEER T&G PANELING	YES
INTERIOR FINISHES		
KEY	COLOR	GRAIN
WD	PREFINISHED MAPLE	YES
SPECIALS		
KEY	COLOR	GRAIN
MTL2A	METAL TO MATCH SVB RAW WHITE BRONZE	NO

PM:	-
DRAWN BY:	TMS
DATE DRAWN:	10/11/2024
REVIEWED BY:	-

REVISIONS:

No.	DATE:	DESCRIPTIONS:	BY:
△	-	-	-
△	-	-	-
△	-	-	-
△	-	-	-
△	-	-	-
△	-	-	-
△	-	-	-
△	-	-	-

APPROVAL DATE	-
PLOT DATE	11/13/2024
PROJECT NUMBER	-----
ROOM NAME	125 - M CLOSET
SHEET NUMBER	125.04



FOR MORE INFO, SEE PLAN SECTION 125.06

1 125 - M CLOSET
 PLAN SECTION
 SCALE: 1-1/2"=1'-0" ARCH REF.: 1/A5.12

	QCP	YES <input type="checkbox"/>	NO <input checked="" type="checkbox"/>
	LEED	YES <input type="checkbox"/>	NO <input checked="" type="checkbox"/>
	FSC	YES <input type="checkbox"/>	NO <input checked="" type="checkbox"/>
	NAUF	YES <input type="checkbox"/>	NO <input checked="" type="checkbox"/>

FINISHES:

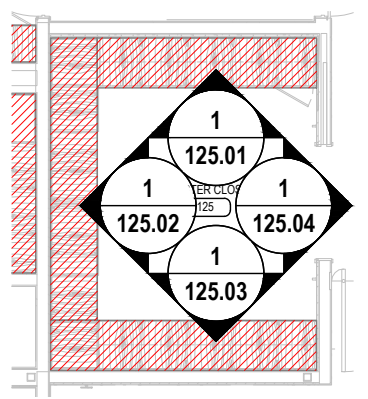
KEY	WOOD COLOR	GRAIN
WD7E	STAINED RIPT SAWN WHITE OAK	YES
WD7G	2" X 16" OAK VENEER T&G PANELING	YES
KEY	INTERIOR FINISHES COLOR	GRAIN
WD	PREFINISHED MAPLE	YES
KEY	SPECIALS COLOR	GRAIN
MTL2A	METAL TO MATCH SVB RAW WHITE BRONZE	NO

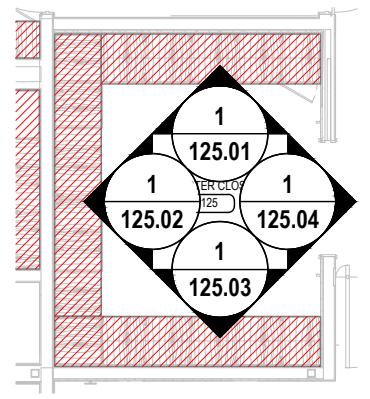
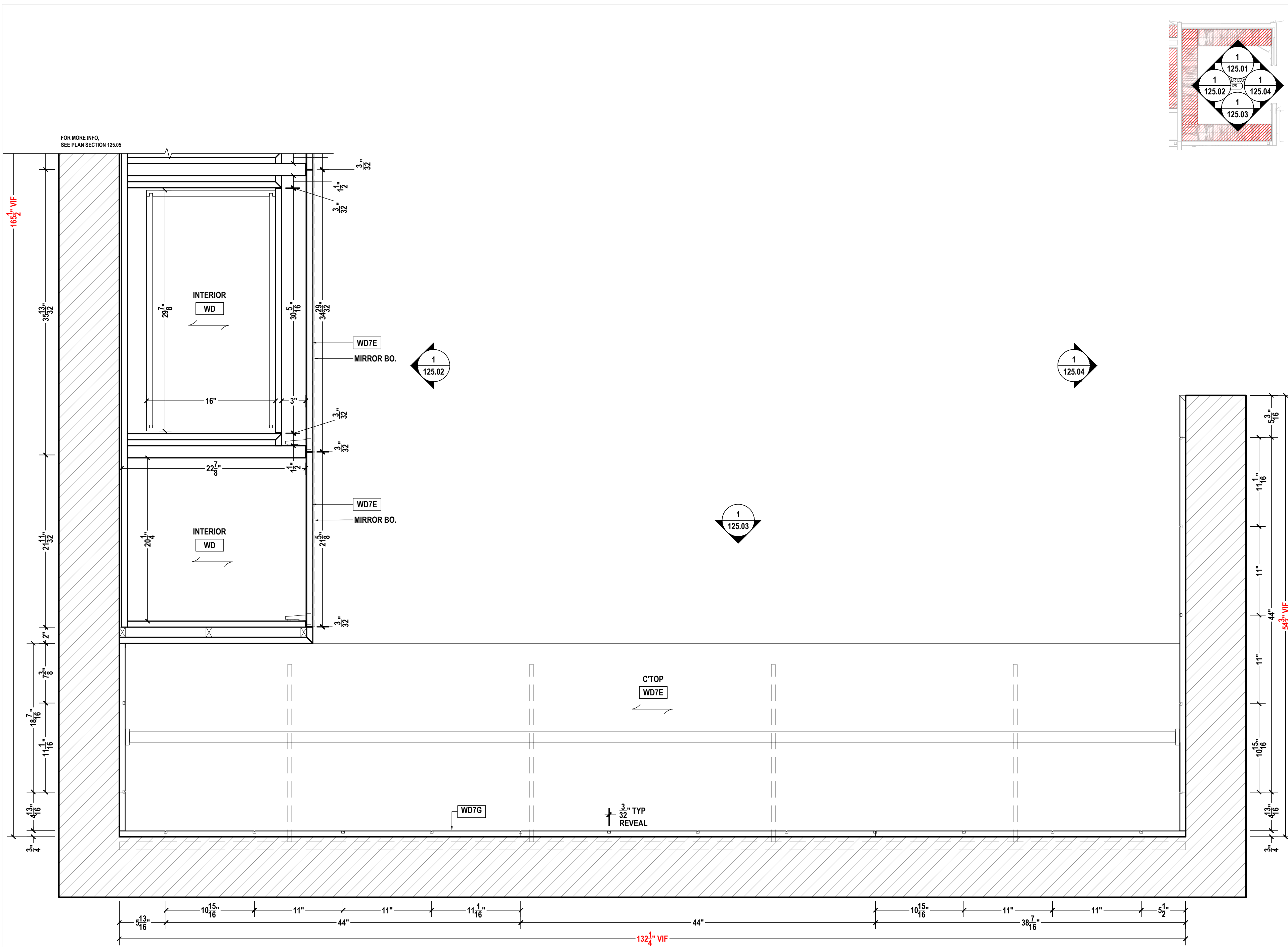
PM:	-
DRAWN BY:	TMS
DATE DRAWN:	10/11/2024
REVIEWED BY:	-

REVISIONS:

No.	DATE:	DESCRIPTIONS:	BY:
△	-	-	-
△	-	-	-
△	-	-	-
△	-	-	-
△	-	-	-
△	-	-	-
△	-	-	-
△	-	-	-

APPROVAL DATE	-
PLOT DATE	11/13/2024
PROJECT NUMBER	-----
ROOM NAME	125 - M CLOSET
SHEET NUMBER	125.05





FOR MORE INFO,
SEE PLAN SECTION 125.05

1 125 - M CLOSET
PLAN SECTION
SCALE: 1-1/2"=1'-0" ARCH REF.: 1/A5.12

	QCP	YES <input type="checkbox"/>	NO <input checked="" type="checkbox"/>
	LEED	YES <input type="checkbox"/>	NO <input checked="" type="checkbox"/>
	FSC	YES <input type="checkbox"/>	NO <input checked="" type="checkbox"/>
	NAUF	YES <input type="checkbox"/>	NO <input checked="" type="checkbox"/>

FINISHES:

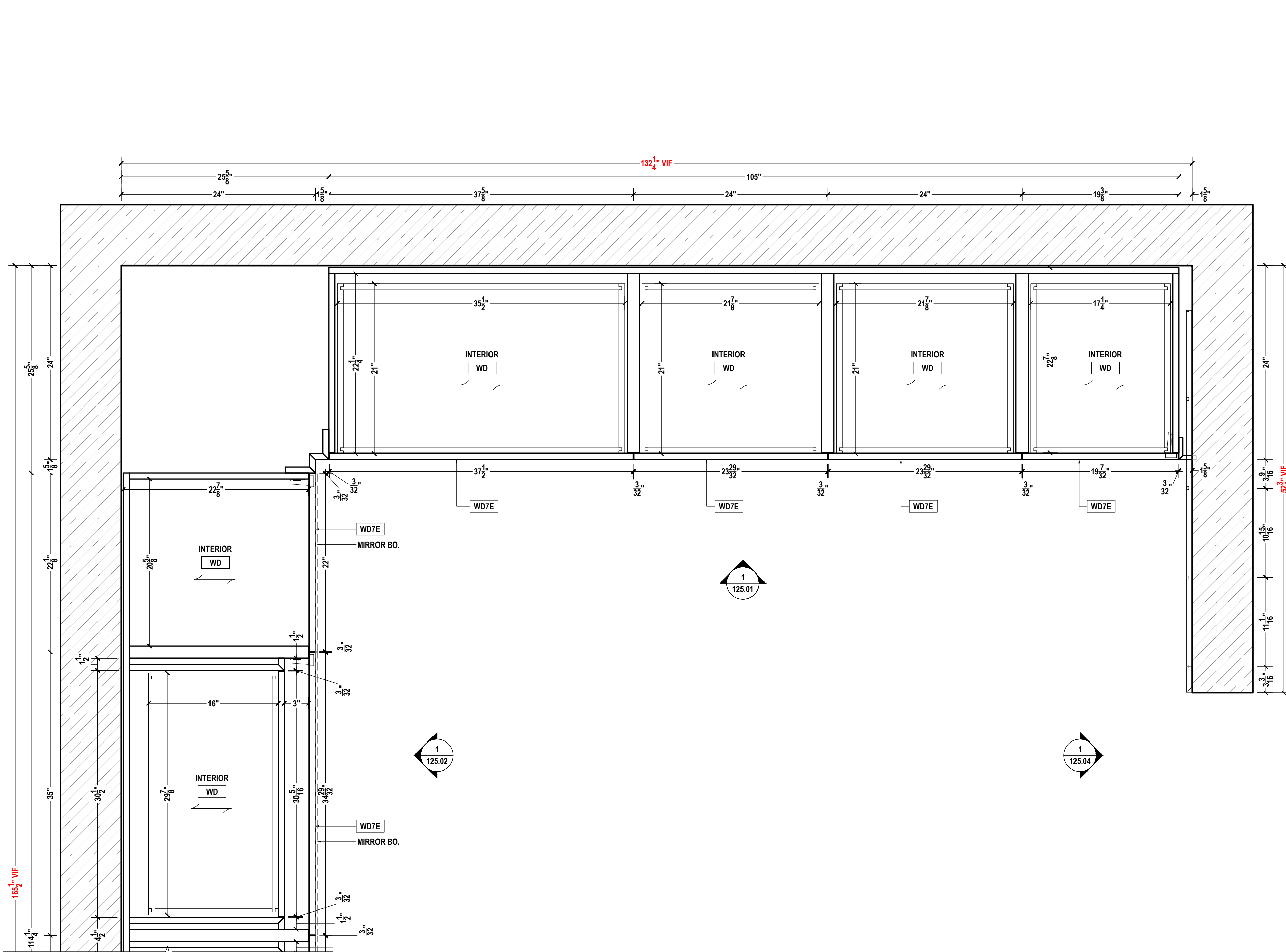
KEY	WOOD COLOR	GRAIN
WD7E	STAINED RIPT SAWN WHITE OAK	YES
WD7G	2" X 16" OAK VENEER T&G PANELING	YES
INTERIOR FINISHES		
KEY	COLOR	GRAIN
WD	PREFINISHED MAPLE	YES
KEY	SPECIALS	GRAIN
MTL2A	METAL TO MATCH SVB RAW WHITE BRONZE	NO

PM:	-
DRAWN BY:	TMS
DATE DRAWN:	10/11/2024
REVIEWED BY:	-

REVISIONS:

No.	DATE	DESCRIPTIONS	BY:
△	-	-	-
△	-	-	-
△	-	-	-
△	-	-	-
△	-	-	-
△	-	-	-
△	-	-	-
△	-	-	-

APPROVAL DATE	-
PLOT DATE	11/13/2024
PROJECT NUMBER	-----
ROOM NAME	125 - M CLOSET
SHEET NUMBER	125.06



	QCP	YES <input type="checkbox"/>	NO <input checked="" type="checkbox"/>
	LEED	YES <input type="checkbox"/>	NO <input checked="" type="checkbox"/>
	FSC	YES <input type="checkbox"/>	NO <input checked="" type="checkbox"/>
	NAUF	YES <input type="checkbox"/>	NO <input checked="" type="checkbox"/>

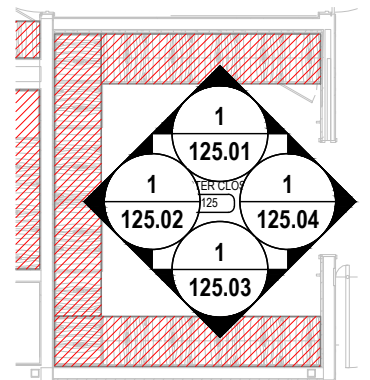
FINISHES:		
KEY	WOOD COLOR	GRAIN
WD7E	STAINED RIPT SAWN WHITE OAK	YES
WD7G	1/2" X 16" OAK VENEER T&G PANELING	YES
INTERIOR FINISHES		
KEY	COLOR	GRAIN
WD	PREFINISHED MAPLE	YES
SPECIALS		
KEY	COLOR	GRAIN
MTL2A	METAL TO MATCH SVB RAW WHITE BRONZE	NO

PM:	-
DRAWN BY:	TMS
DATE DRAWN:	10/11/2024
REVIEWED BY:	-

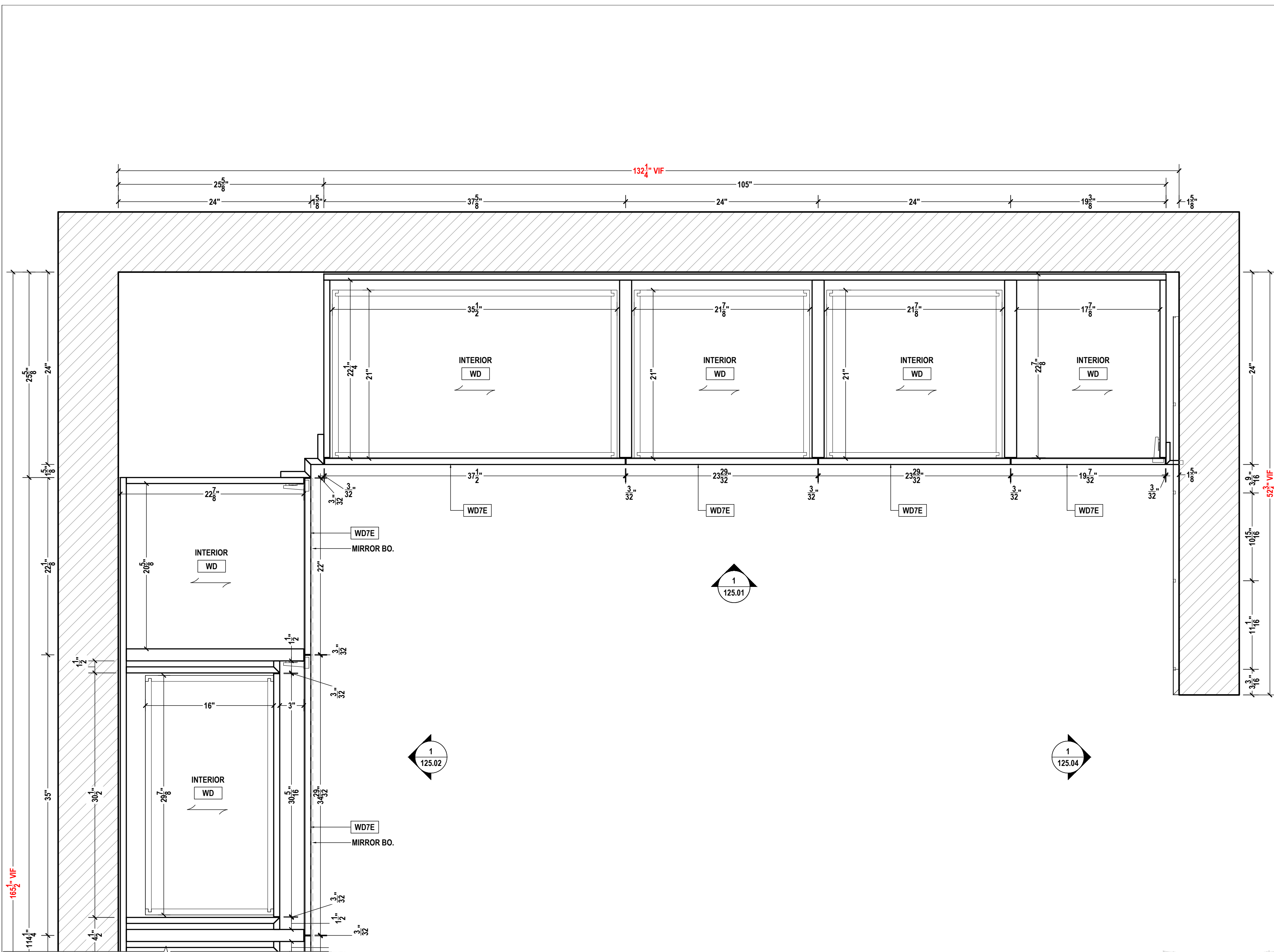
REVISIONS:			
No.	DATE	DESCRIPTIONS	BY:
△	-	-	-
△	-	-	-
△	-	-	-
△	-	-	-
△	-	-	-
△	-	-	-
△	-	-	-
△	-	-	-

APPROVAL DATE	-
PLOT DATE	11/13/2024
PROJECT NUMBER	-----
ROOM NAME	125 - M CLOSET
SHEET NUMBER	125.07

1 125 - M CLOSET
 PLAN SECTION
 SCALE: 1-1/2"=1'-0" ARCH REF.: N/A



FOR MORE INFO, SEE PLAN SECTION 125.09



FOR MORE INFO,
SEE PLAN SECTION 125.09

1 125 - M CLOSET
PLAN SECTION
SCALE: 1-1/2"=1'-0" ARCH REF.: N/A

	QCP	YES <input type="checkbox"/>	NO <input checked="" type="checkbox"/>
	LEED	YES <input type="checkbox"/>	NO <input checked="" type="checkbox"/>
	FSC	YES <input type="checkbox"/>	NO <input checked="" type="checkbox"/>
	NAUF	YES <input type="checkbox"/>	NO <input checked="" type="checkbox"/>

FINISHES:

KEY	WOOD COLOR	GRAIN
WD7E	STAINED RIPT SAWN WHITE OAK	YES
WD7G	2" X 16" OAK VENEER T&G PANELING	YES
KEY	INTERIOR FINISHES COLOR	GRAIN
WD	PREFINISHED MAPLE	YES
KEY	SPECIALS COLOR	GRAIN
MTL2A	METAL TO MATCH SVB RAW WHITE BRONZE	NO

PM: -

DRAWN BY: TMS

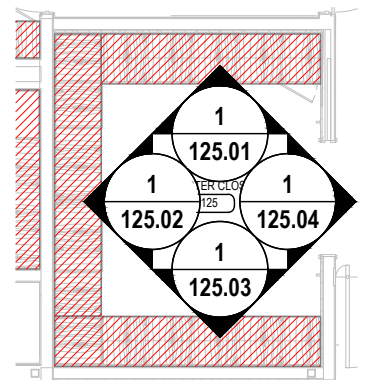
DATE DRAWN: 10/11/2024

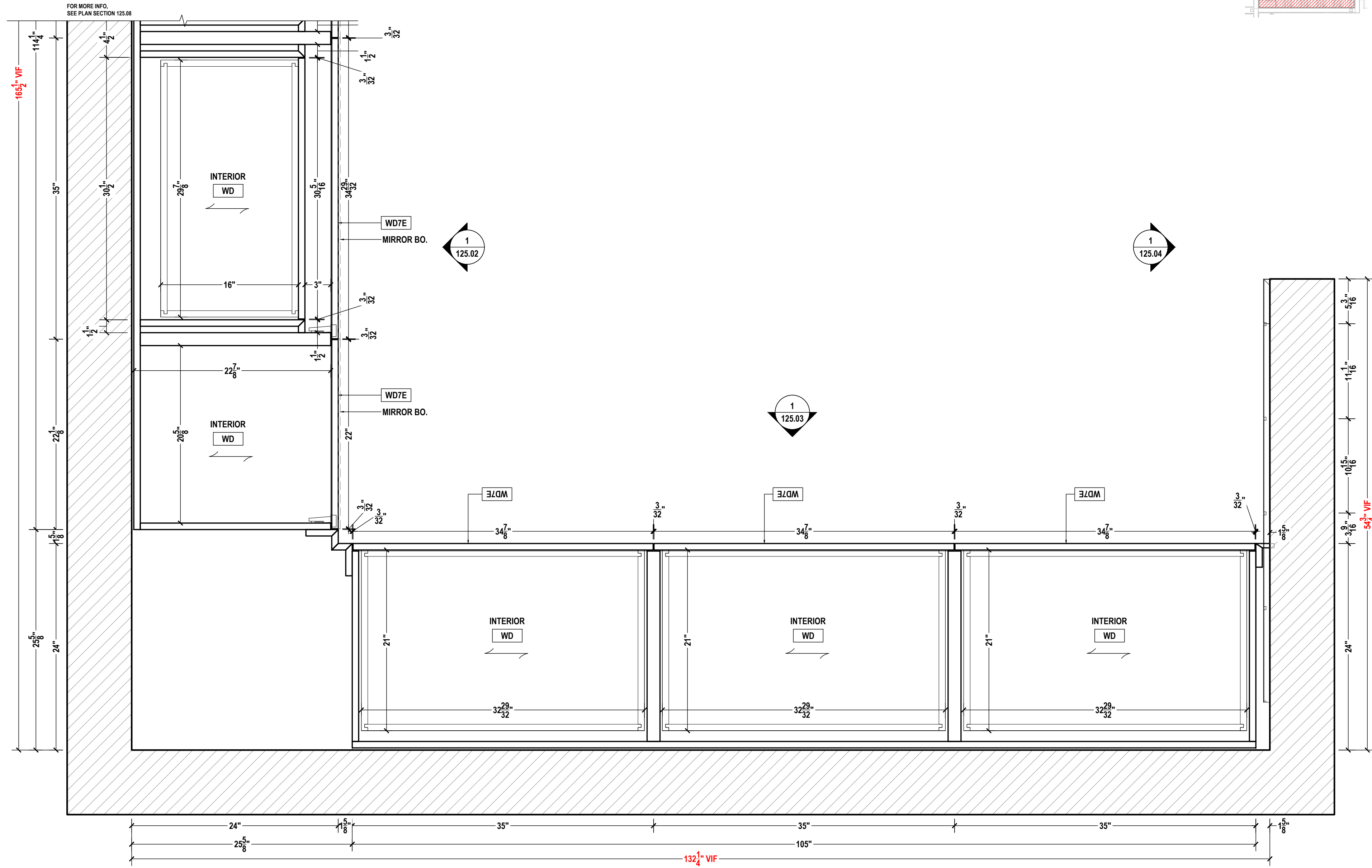
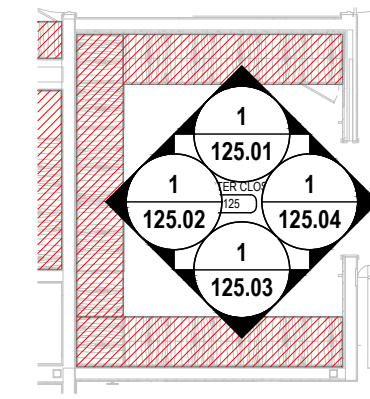
REVIEWED BY: -

REVISIONS:

No.	DATE	DESCRIPTIONS	BY:
△	-	-	-
△	-	-	-
△	-	-	-
△	-	-	-
△	-	-	-
△	-	-	-
△	-	-	-

APPROVAL DATE	-
PLOT DATE	11/13/2024
PROJECT NUMBER	-----
ROOM NAME	125 - M CLOSET
SHEET NUMBER	125.08





FOR MORE INFO,
SEE PLAN SECTION 125.08

	QCP	YES <input type="checkbox"/>	NO <input checked="" type="checkbox"/>
	LEED	YES <input type="checkbox"/>	NO <input checked="" type="checkbox"/>
	FSC	YES <input type="checkbox"/>	NO <input checked="" type="checkbox"/>
	NAUF	YES <input type="checkbox"/>	NO <input checked="" type="checkbox"/>

FINISHES:

KEY	WOOD COLOR	GRAIN
WD7E	STAINED RIPT SAWN WHITE OAK	YES
WD7G	2" X 16" OAK VENEER T&G PANELING	YES
KEY	INTERIOR FINISHES COLOR	GRAIN
WD	PREFINISHED MAPLE	YES
KEY	SPECIALS COLOR	GRAIN
MTL2A	METAL TO MATCH SVB RAW WHITE BRONZE	NO

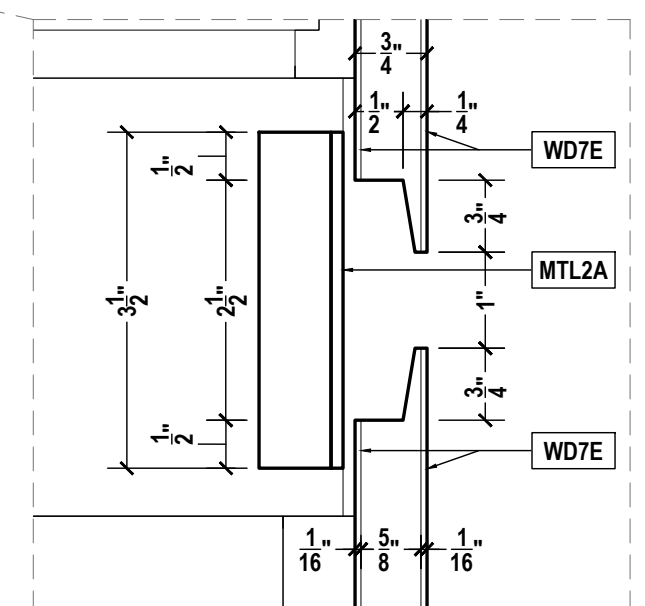
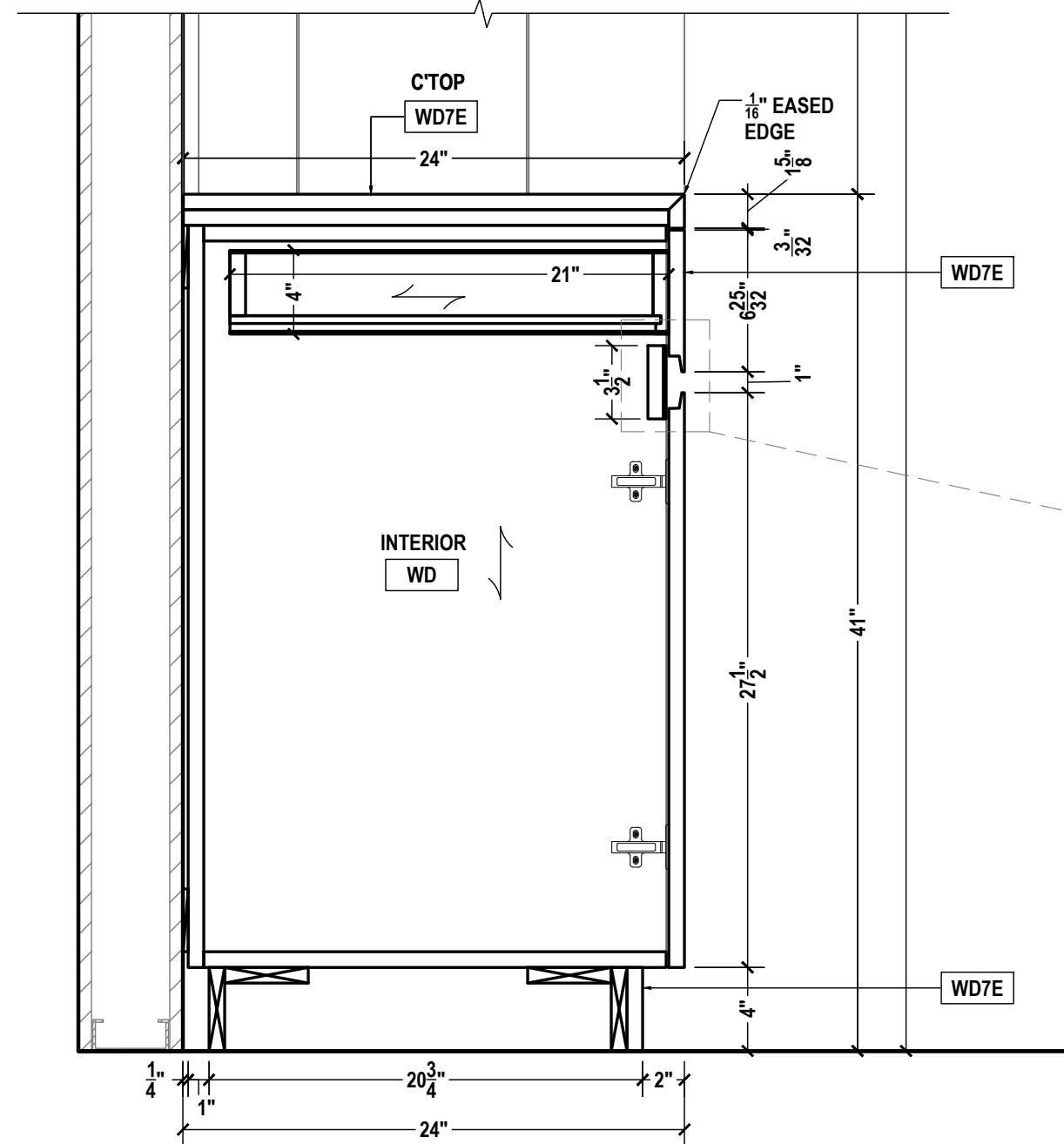
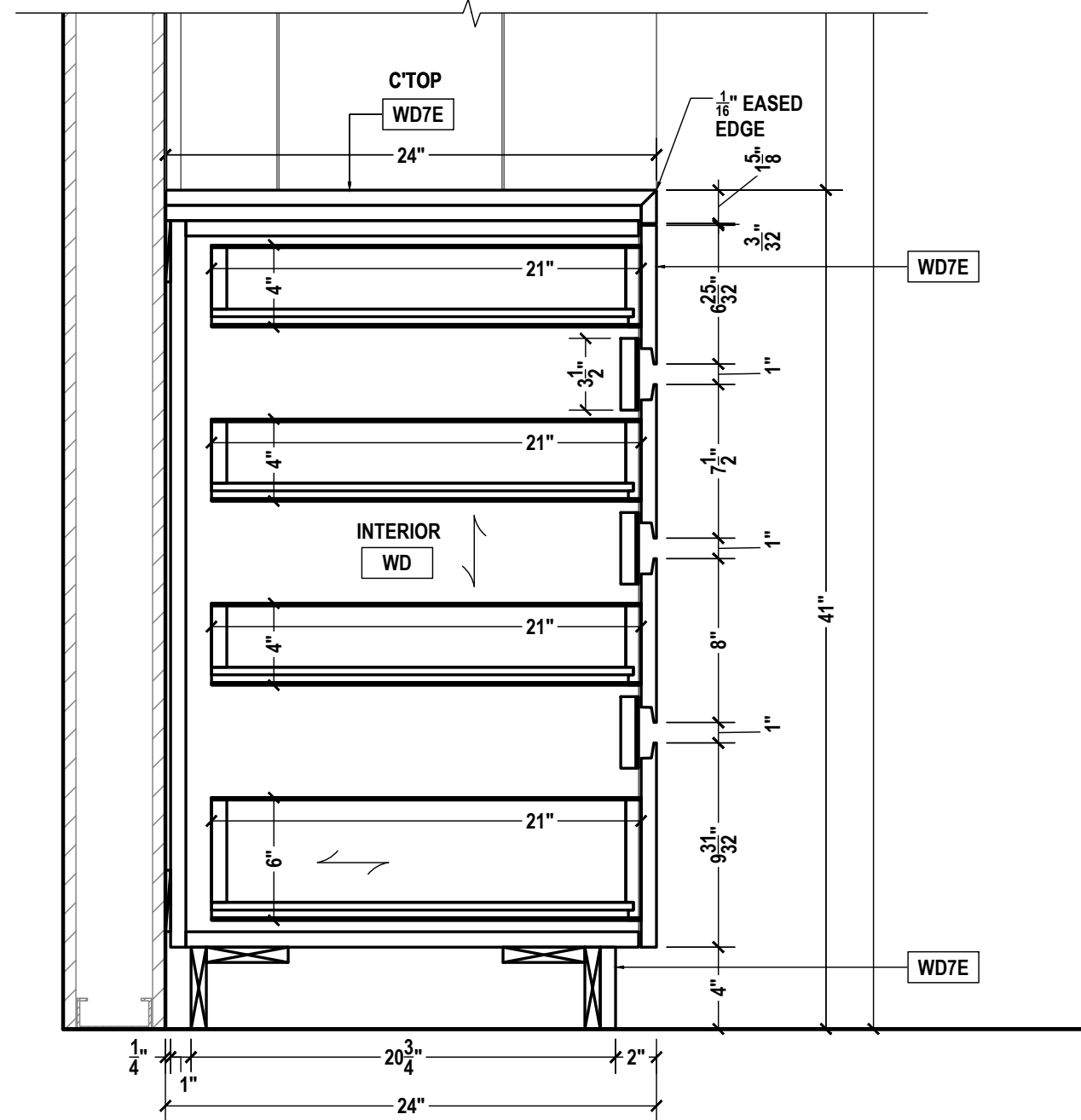
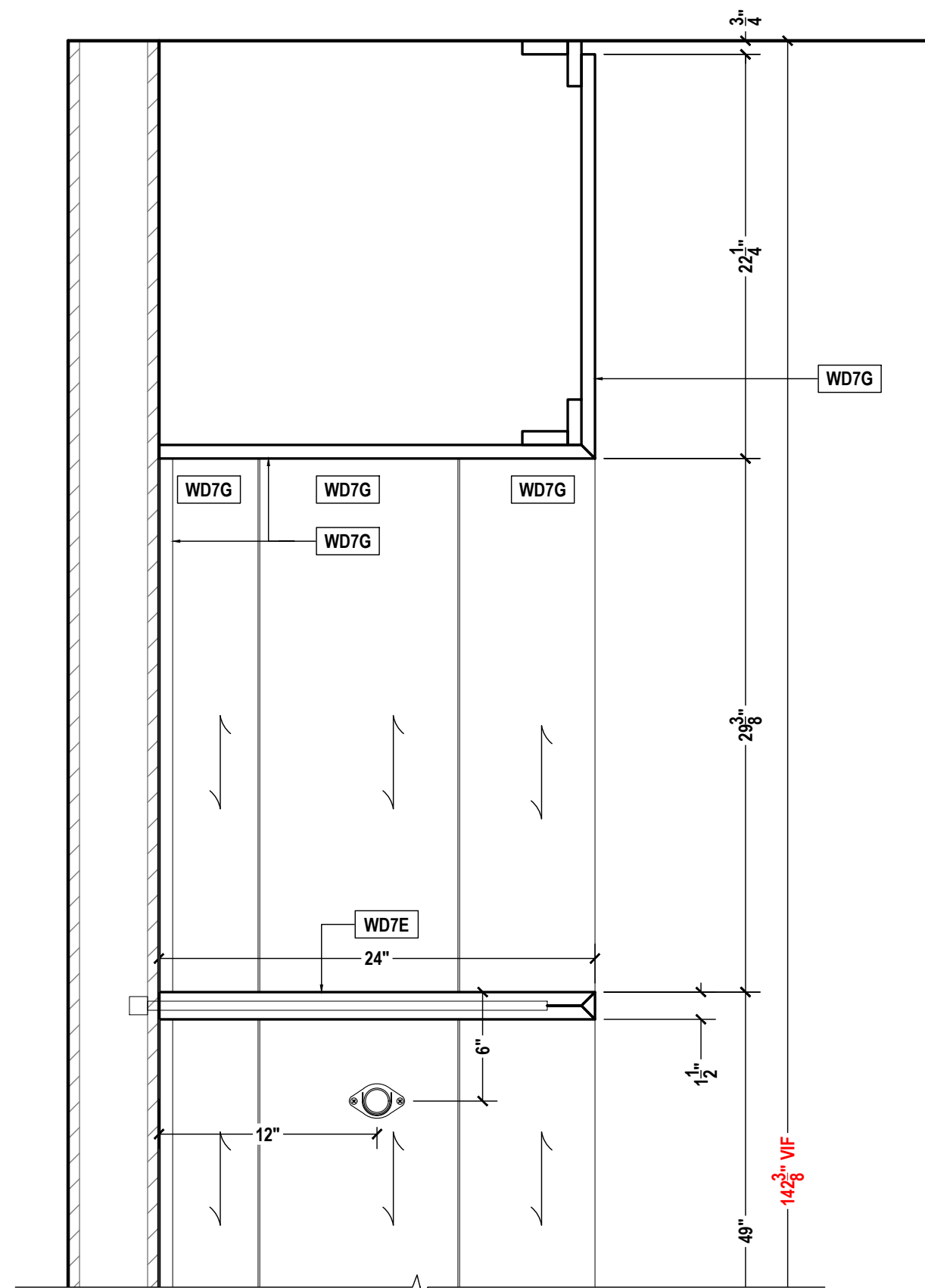
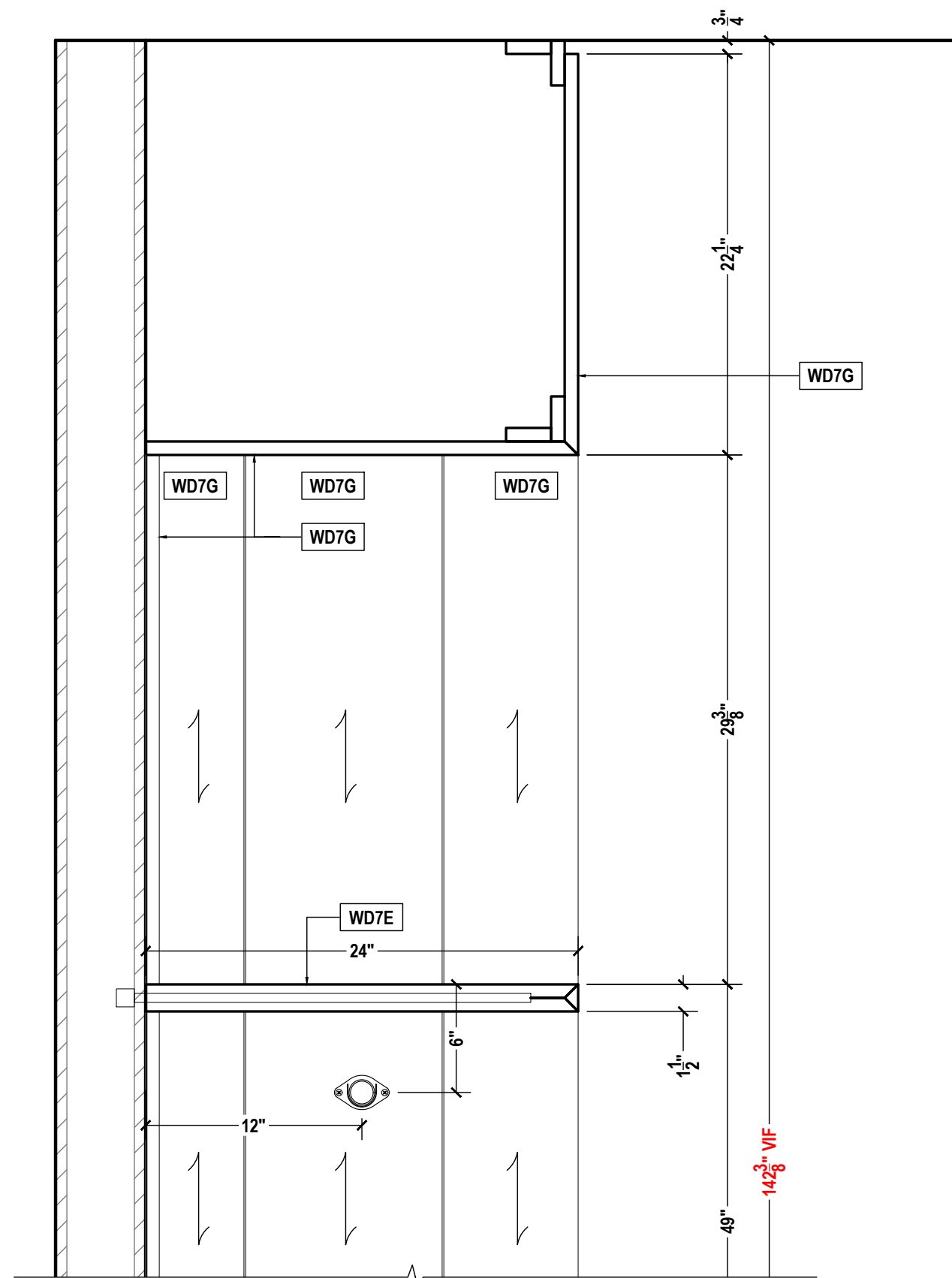
PM:	-
DRAWN BY:	TMS
DATE DRAWN:	10/11/2024
REVIEWED BY:	-

REVISIONS:

No.	DATE	DESCRIPTIONS	BY:
△	-	-	-
△	-	-	-
△	-	-	-
△	-	-	-
△	-	-	-
△	-	-	-
△	-	-	-
△	-	-	-

APPROVAL DATE	-
PLOT DATE	11/13/2024
PROJECT NUMBER	-----
ROOM NAME	125 - M CLOSET
SHEET NUMBER	125.09

1 125 - M CLOSET
PLAN SECTION
SCALE: 1-1/2"=1'-0" ARCH REF.: N/A



1 125 - M CLOSET SECTION
SCALE: 1-1/2"=1'-0" ARCH REF.: 4/A9.03

2 125 - M CLOSET SECTION
SCALE: 1-1/2"=1'-0" ARCH REF.: N/A

3 125 - M CLOSET DETAIL
SCALE: 6"=1'0" ARCH REF.: 2/A9.20

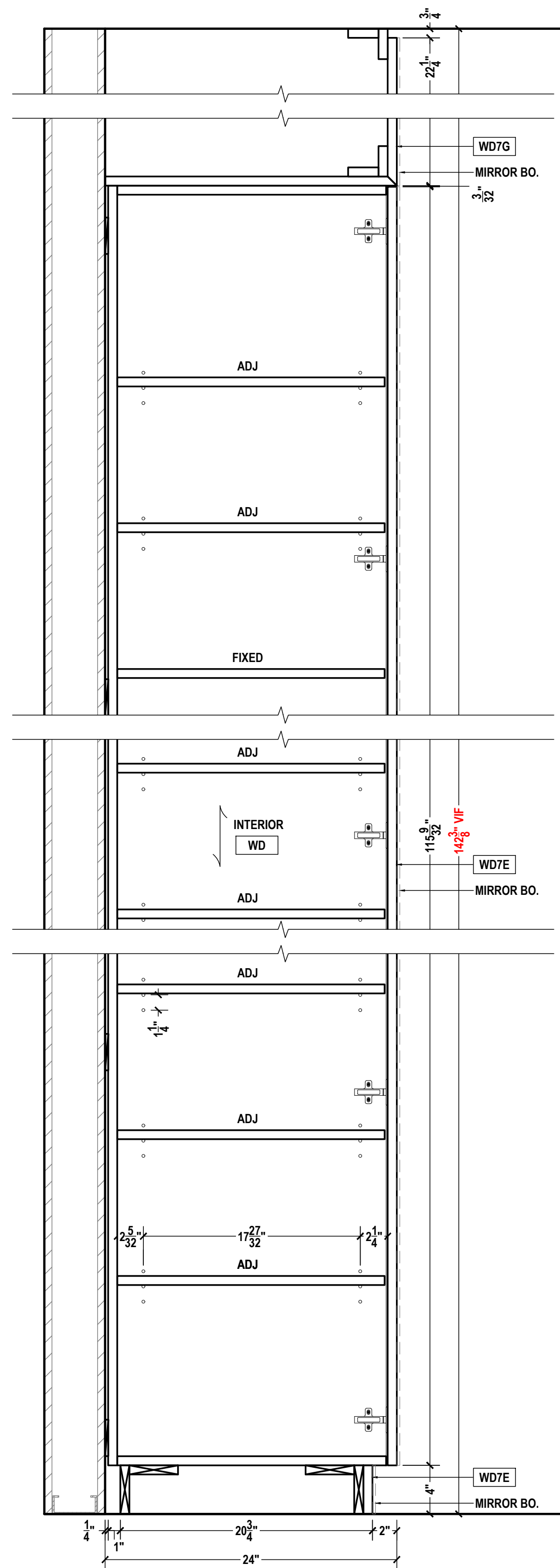
	QCP	YES <input type="checkbox"/>	NO <input checked="" type="checkbox"/>
	LEED	YES <input type="checkbox"/>	NO <input checked="" type="checkbox"/>
	FSC	YES <input type="checkbox"/>	NO <input checked="" type="checkbox"/>
	NAUF	YES <input type="checkbox"/>	NO <input checked="" type="checkbox"/>

FINISHES:		
KEY	WOOD COLOR	GRAIN
WD7E	STAINED RIPT SAWN WHITE OAK	YES
WD7G	1/2" X 16" OAK VENEER T&G PANELING	YES
INTERIOR FINISHES		
KEY	COLOR	GRAIN
WD	PREFINISHED MAPLE	YES
SPECIALS		
KEY	COLOR	GRAIN
MTL2A	METAL TO MATCH SVB RAW WHITE BRONZE	NO

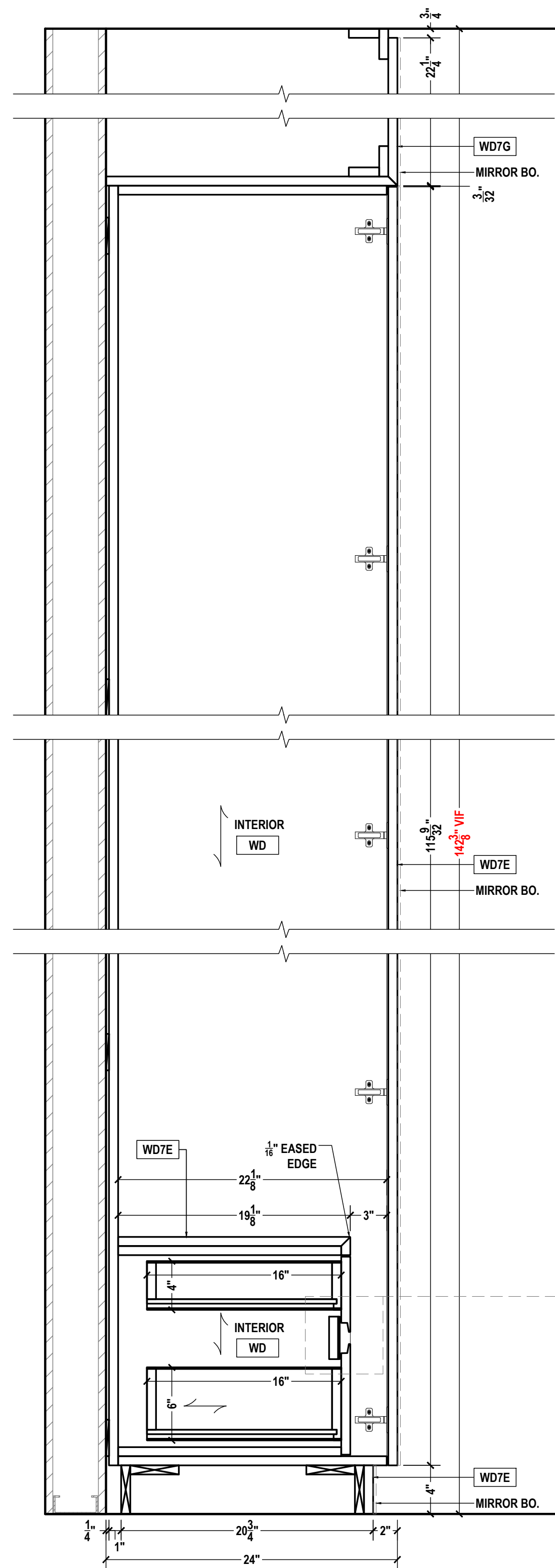
PM:	-
DRAWN BY:	TMS
DATE DRAWN:	10/11/2024
REVIEWED BY:	-

REVISIONS:			
No.	DATE:	DESCRIPTIONS:	BY:
△	-	-	-
△	-	-	-
△	-	-	-
△	-	-	-
△	-	-	-
△	-	-	-
△	-	-	-

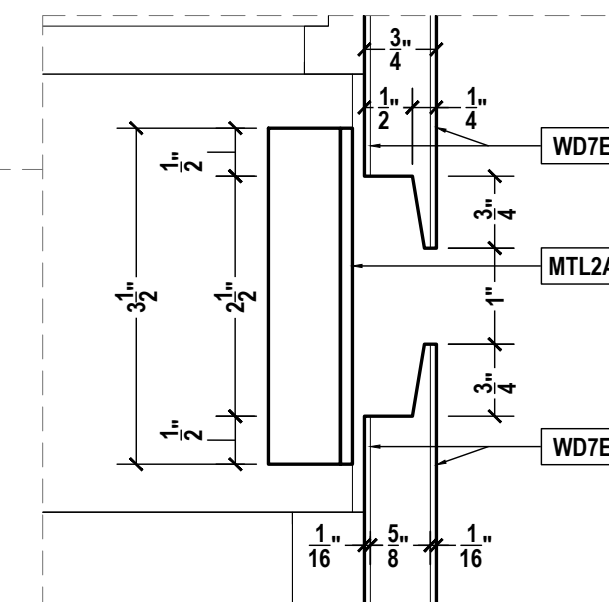
APPROVAL DATE	-
PLOT DATE	11/13/2024
PROJECT NUMBER	-----
ROOM NAME	125 - M CLOSET
SHEET NUMBER	125.10



1 125 - M CLOSET SECTION
SCALE: 1-1/2"=1'-0" ARCH REF.: N/A



2 125 - M CLOSET SECTION
SCALE: 1-1/2"=1'-0" ARCH REF.: N/A



3 125 - M CLOSET DETAIL
SCALE: 6"=1'-0" ARCH REF.: 2/A9.20



QCP	YES <input type="checkbox"/>	NO <input checked="" type="checkbox"/>
LEED	YES <input type="checkbox"/>	NO <input checked="" type="checkbox"/>
FSC	YES <input type="checkbox"/>	NO <input checked="" type="checkbox"/>
NAUF	YES <input type="checkbox"/>	NO <input checked="" type="checkbox"/>

FINISHES:

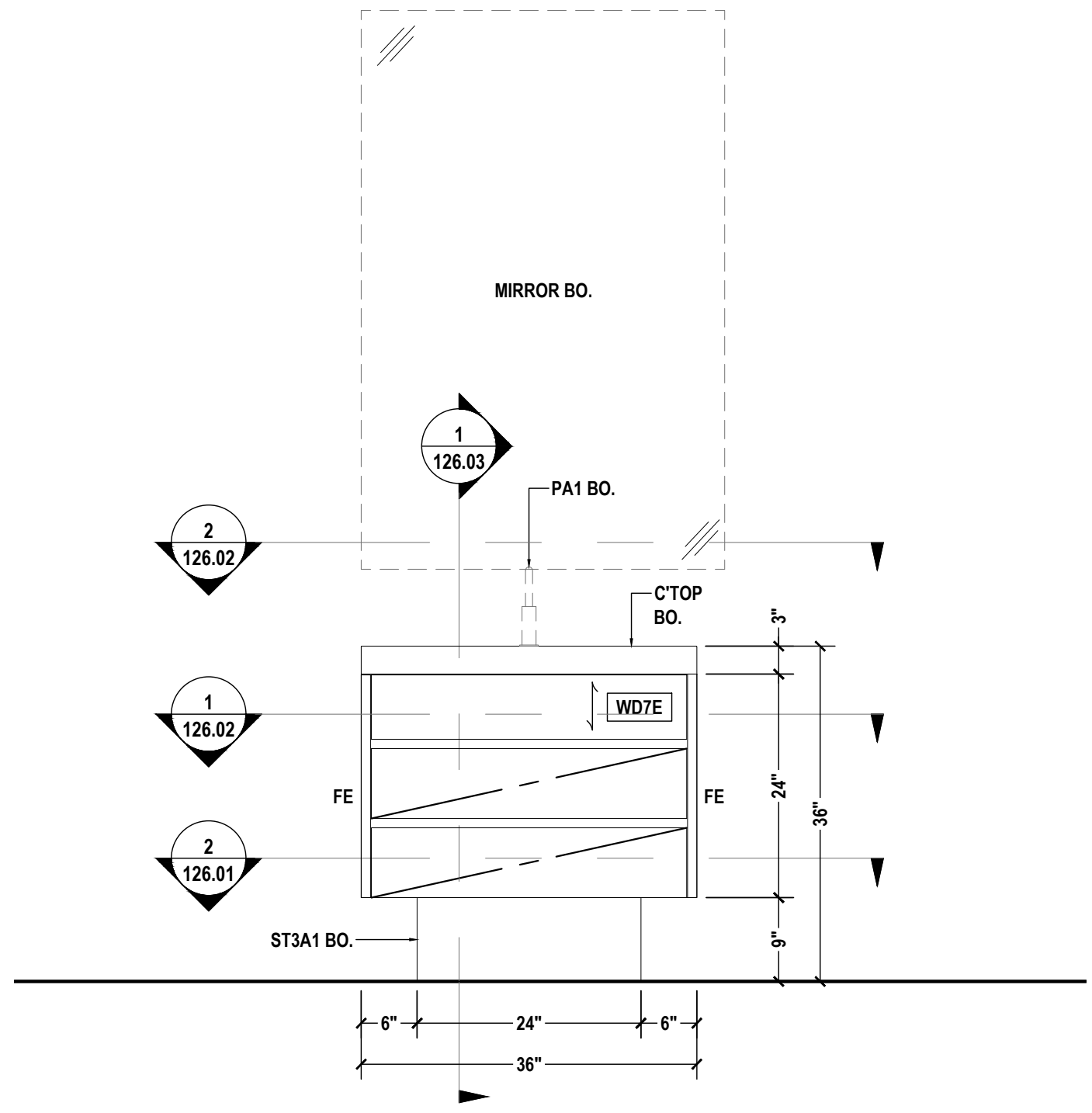
KEY	WOOD		GRAIN
	COLOR		
WD7E	STAINED RIPT SAWN WHITE OAK		YES
WD7G	1/2" X 16" OAK VENEER T&G PANELING		YES
INTERIOR FINISHES			
KEY	COLOR		GRAIN
WD	PREFINISHED MAPLE		YES
SPECIALS			
KEY	COLOR		GRAIN
MTL2A	METAL TO MATCH SVB RAW WHITE BRONZE		NO

PM:	-
DRAWN BY:	TMS
DATE DRAWN:	10/11/2024
REVIEWED BY:	-

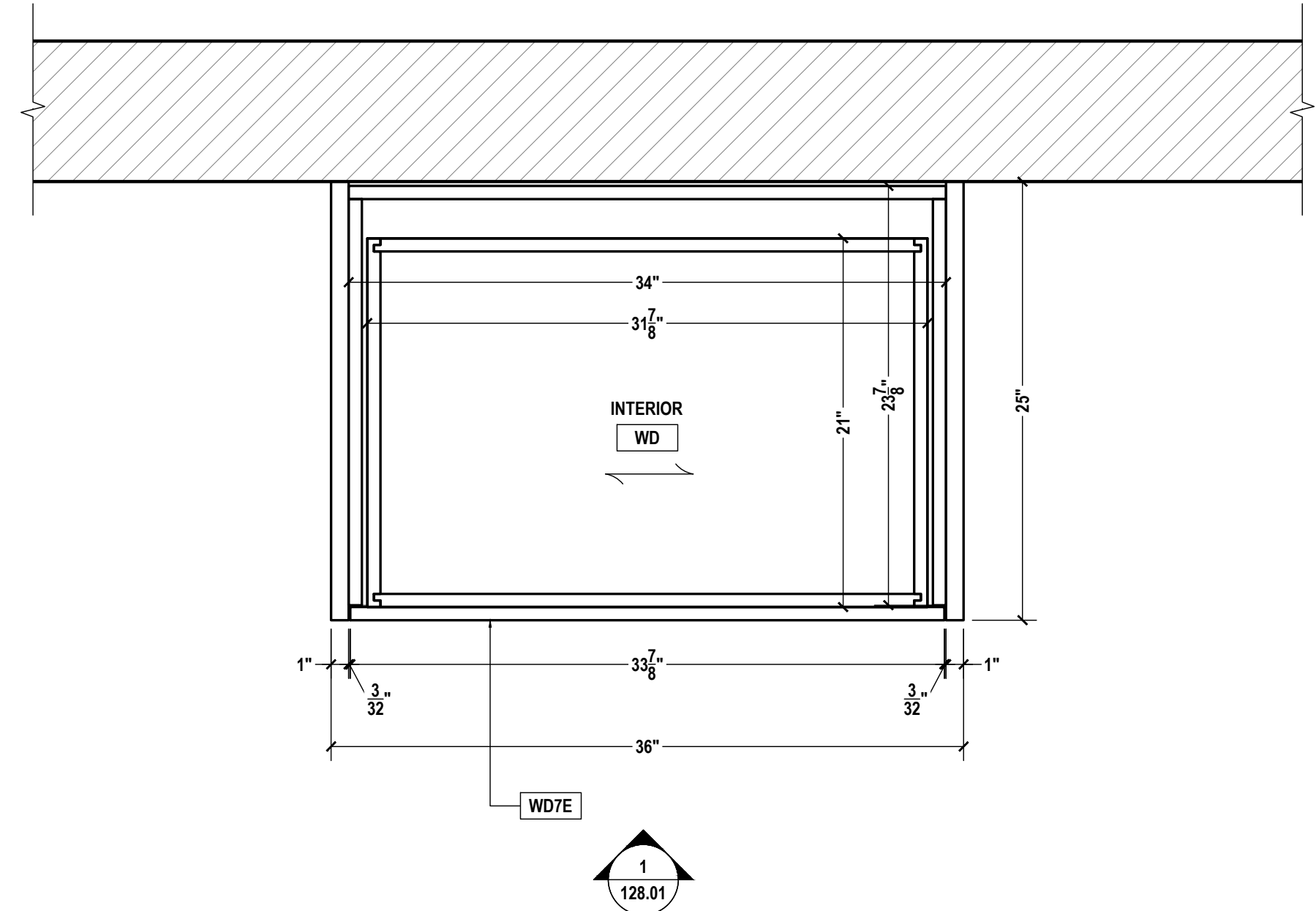
REVISIONS:

No.	DATE	DESCRIPTIONS	BY:
△	-	-	-
△	-	-	-
△	-	-	-
△	-	-	-
△	-	-	-
△	-	-	-
△	-	-	-

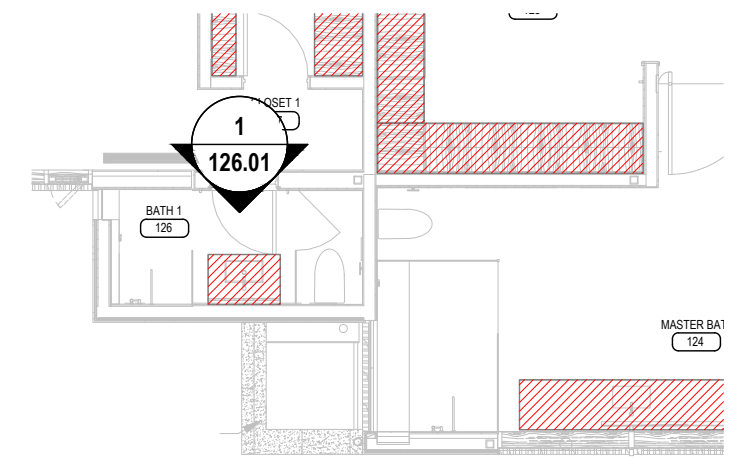
APPROVAL DATE	-
PLOT DATE	11/13/2024
PROJECT NUMBER	-----
ROOM NAME	125 - M CLOSET
SHEET NUMBER	125.11



1 126 - BATH 1
ELEVATION
SCALE: 3/4"=1'-0" ARCH REF.: 12/A5.01



2 126 - BATH 1
PLAN SECTION
SCALE: 1-1/2"=1'-0" ARCH REF.: N/A



	QCP	YES <input type="checkbox"/>	NO <input checked="" type="checkbox"/>
	LEED	YES <input type="checkbox"/>	NO <input checked="" type="checkbox"/>
	FSC	YES <input type="checkbox"/>	NO <input checked="" type="checkbox"/>
	NAUF	YES <input type="checkbox"/>	NO <input checked="" type="checkbox"/>

FINISHES:

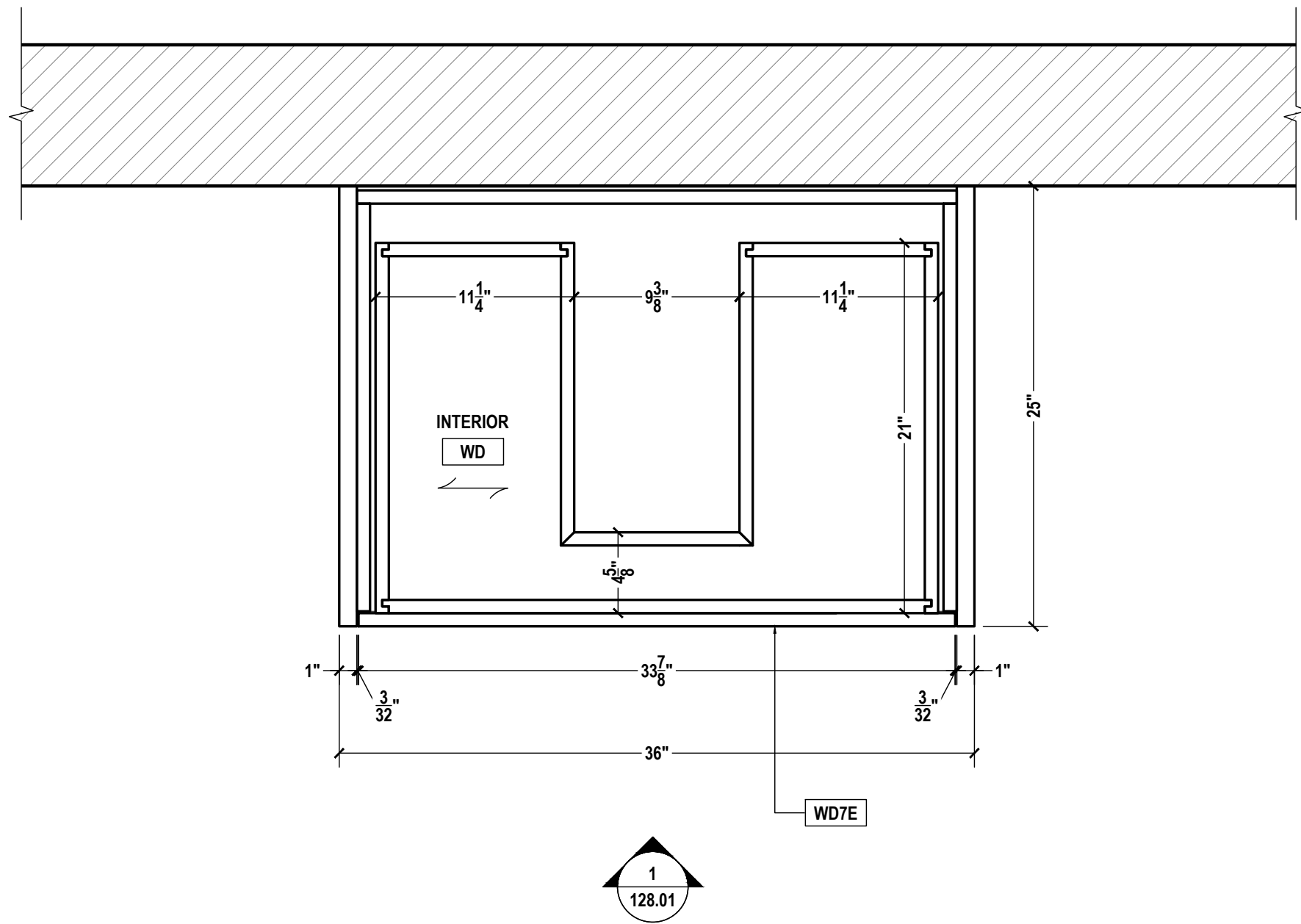
KEY	WOOD COLOR	GRAIN
WD7E	STAINED RIFT SAWN WHITE OAK	YES
KEY	INTERIOR FINISHES COLOR	GRAIN
WD	PREFINISHED MAPLE	YES
KEY	SPECIALS COLOR	GRAIN
MTL2A	METAL TO MATCH SVB RAW WHITE BRONZE	NO

PM:	-
DRAWN BY:	TMS
DATE DRAWN:	10/11/2024
REVIEWED BY:	-

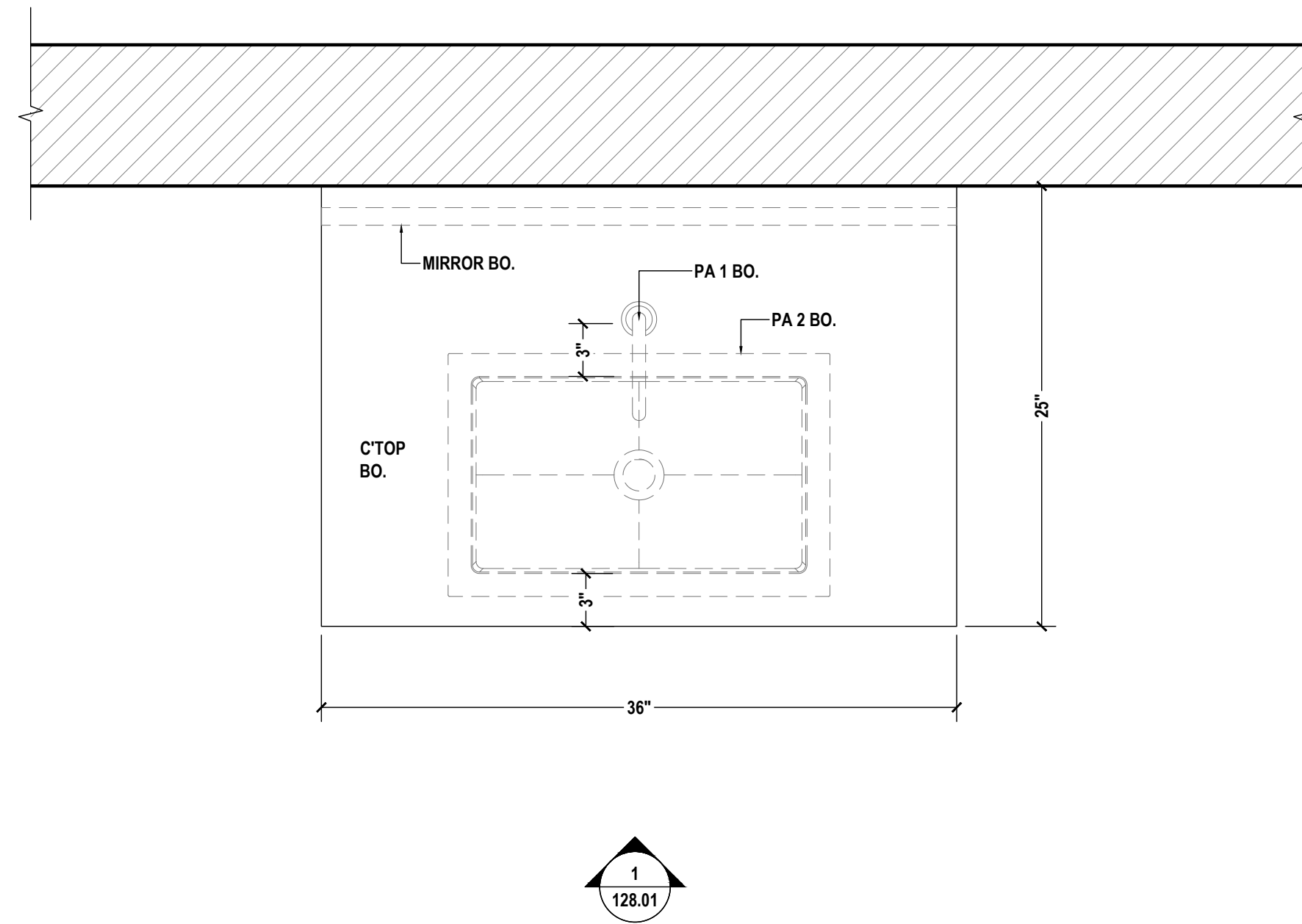
REVISIONS:

No.	DATE:	DESCRIPTIONS:	BY:
△	-	-	-
△	-	-	-
△	-	-	-
△	-	-	-
△	-	-	-
△	-	-	-
△	-	-	-
△	-	-	-

APPROVAL DATE	-
PLOT DATE	11/13/2024
PROJECT NUMBER	-----
ROOM NAME	126 - BATH 1
SHEET NUMBER	126.01



1 126 - BATH 1
 PLAN SECTION
 SCALE: 1-1/2"=1'-0" ARCH REF.: N/A



2 126 - BATH 1
 PLAN SECTION
 SCALE: 1-1/2"=1'-0" ARCH REF.: 12/AS.01



QCP	YES <input type="checkbox"/>	NO <input checked="" type="checkbox"/>
LEED	YES <input type="checkbox"/>	NO <input checked="" type="checkbox"/>
FSC	YES <input type="checkbox"/>	NO <input checked="" type="checkbox"/>
NAUF	YES <input type="checkbox"/>	NO <input checked="" type="checkbox"/>

FINISHES:

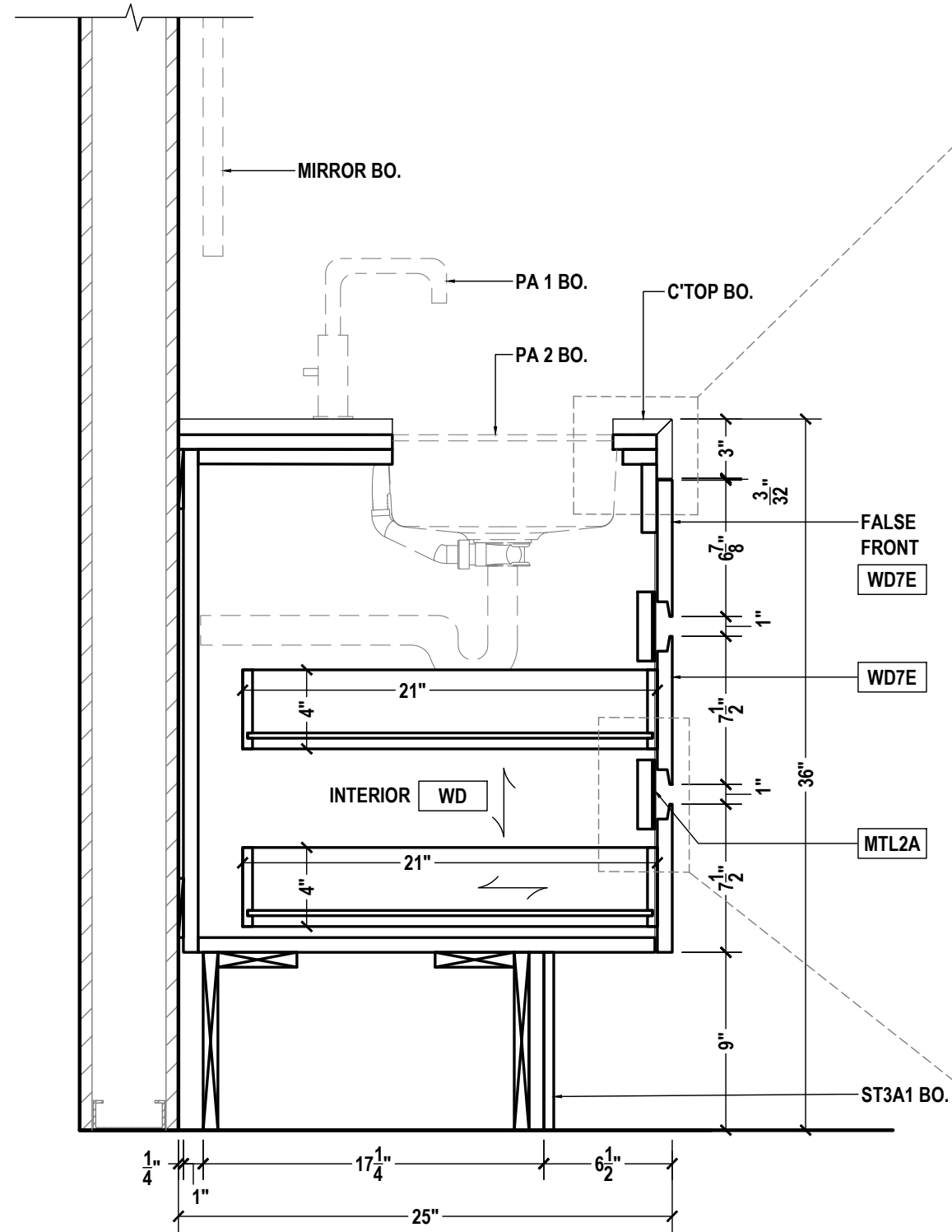
WOOD		GRAIN
KEY	COLOR	
WD7E	STAINED RIFT SAWN WHITE OAK	YES
INTERIOR FINISHES		GRAIN
KEY	COLOR	
WD	PREFINISHED MAPLE	YES
SPECIALS		GRAIN
KEY	COLOR	
MTL2A	METAL TO MATCH SVB RAW WHITE BRONZE	NO

PM:	-
DRAWN BY:	TMS
DATE DRAWN:	10/11/2024
REVIEWED BY:	-

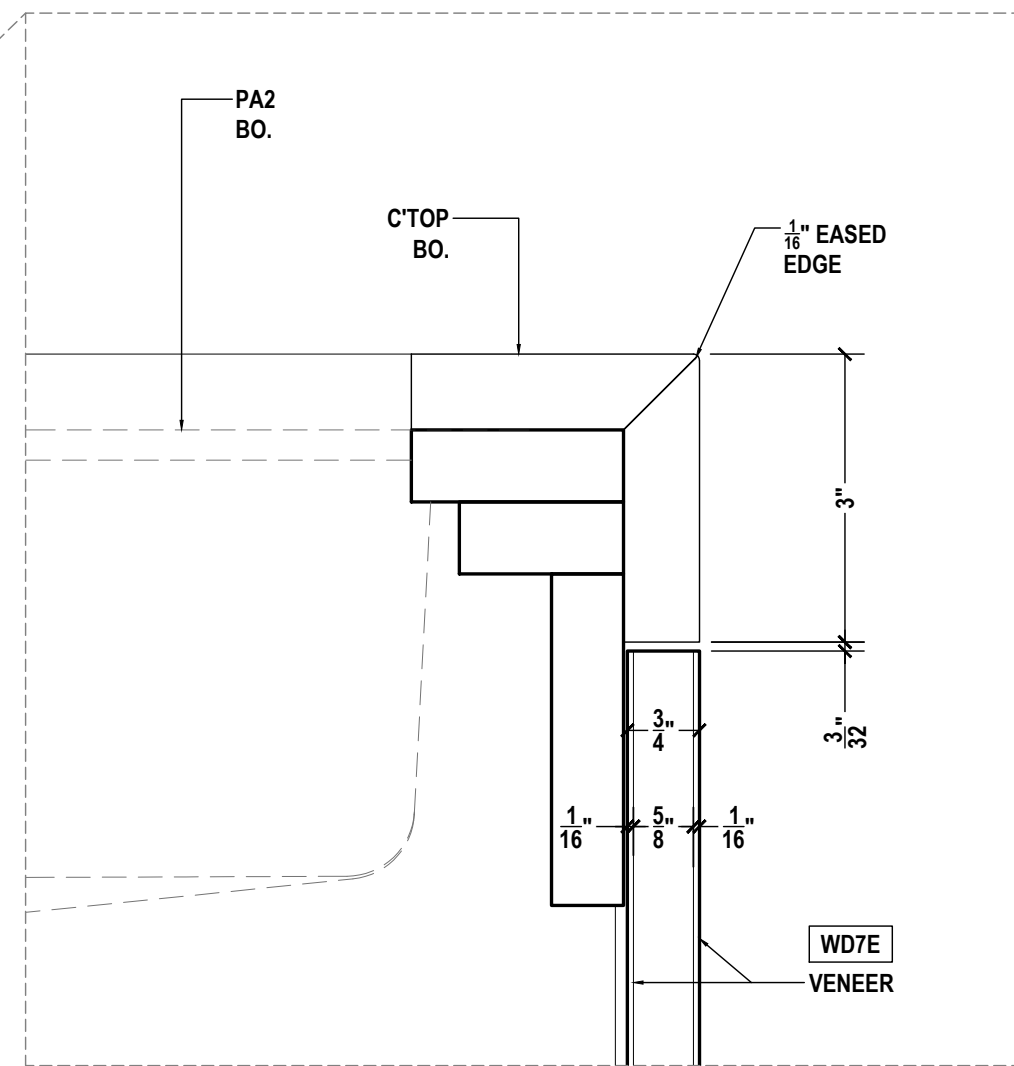
REVISIONS:

No.	DATE:	DESCRIPTIONS:	BY:
△	-	-	-
△	-	-	-
△	-	-	-
△	-	-	-
△	-	-	-
△	-	-	-
△	-	-	-
△	-	-	-

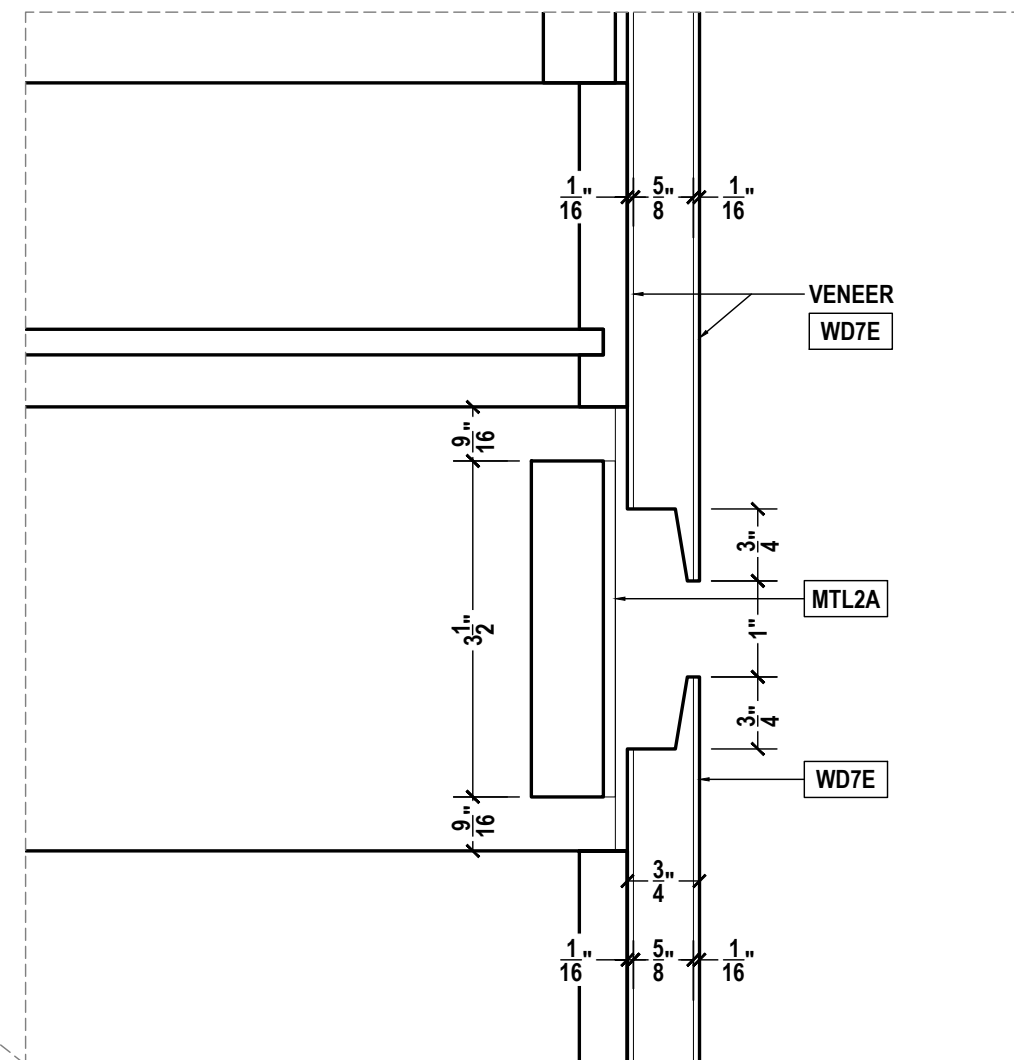
APPROVAL DATE	-
PLOT DATE	11/13/2024
PROJECT NUMBER	-----
ROOM NAME	126 - BATH 1
SHEET NUMBER	126.02



1 126 - BATH 1 SECTION
SCALE: 1-1/2"=1'-0" ARCH REF.: 2/A9.02



2 126 - BATH 1 DETAIL
SCALE: 6"=1'-0" ARCH REF.: 3/A9.20



3 126 - BATH 1 DETAIL
SCALE: 6"=1'-0" ARCH REF.: 3/A9.20



QCP	YES <input type="checkbox"/>	NO <input checked="" type="checkbox"/>
LEED	YES <input type="checkbox"/>	NO <input checked="" type="checkbox"/>
FSC	YES <input type="checkbox"/>	NO <input checked="" type="checkbox"/>
NAUF	YES <input type="checkbox"/>	NO <input checked="" type="checkbox"/>

FINISHES:

KEY	WOOD COLOR	GRAIN
WD7E	STAINED RIFT SAWN WHITE OAK	YES
INTERIOR FINISHES		
KEY	COLOR	GRAIN
WD	PREFINISHED MAPLE	YES
SPECIALS		
KEY	COLOR	GRAIN
MTL2A	METAL TO MATCH SVB RAW WHITE BRONZE	NO

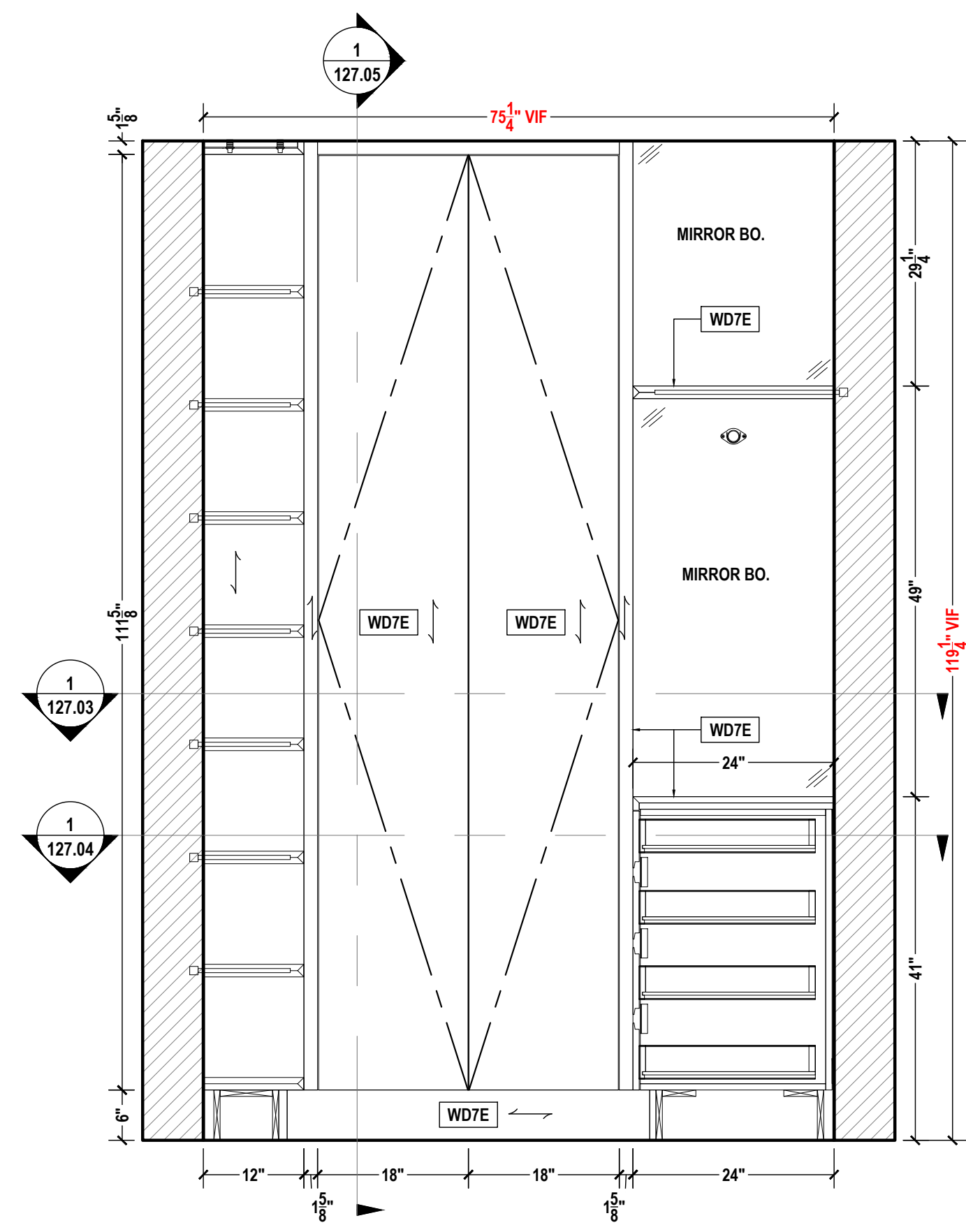
PM:	-
DRAWN BY:	TMS
DATE DRAWN:	10/11/2024
REVIEWED BY:	-

REVISIONS:

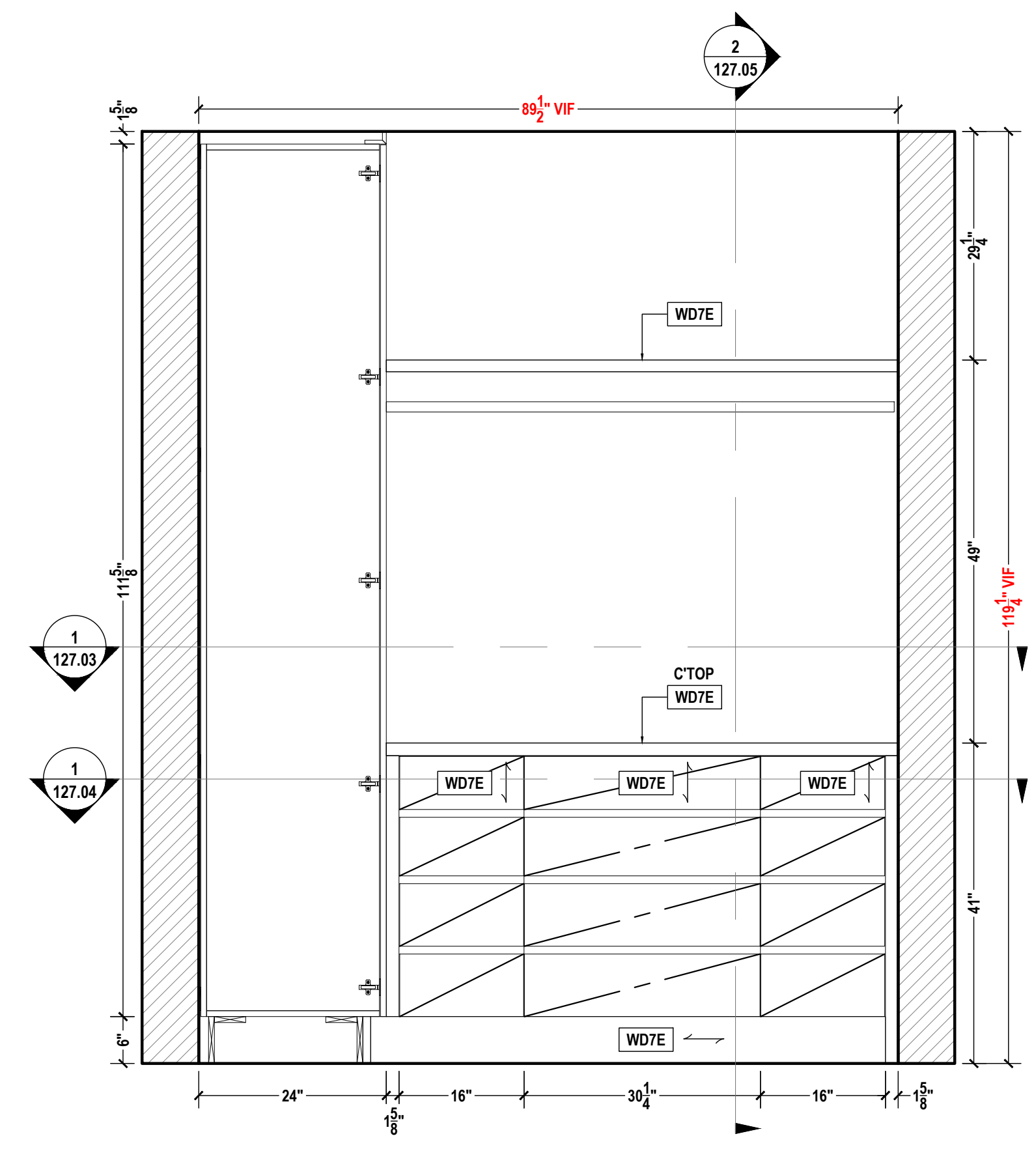
No.	DATE	DESCRIPTIONS	BY:
△	-	-	-
△	-	-	-
△	-	-	-
△	-	-	-
△	-	-	-
△	-	-	-
△	-	-	-
△	-	-	-

APPROVAL DATE	-
PLOT DATE	11/13/2024
PROJECT NUMBER	-----
ROOM NAME	126 - BATH 1
SHEET NUMBER	126.03

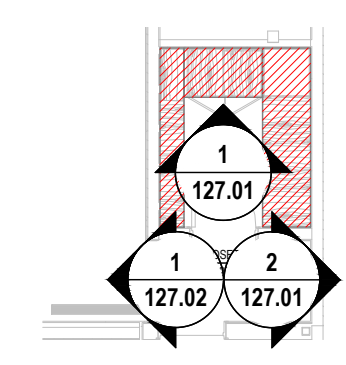
**** NOTE TO ARCH AND G.C. ****
 REFERENCE RFI LIST ON SHEET 1CS.02
 PLEASE CONFIRM HOW WARDROBE
 CABINET WILL OPEN



1 127 - CLOSET 1
 ELEVATION
 SCALE: 3/4"=1'-0" ARCH REF.: 4/A5.10



2 127 - CLOSET 1
 ELEVATION
 SCALE: 3/4"=1'-0" ARCH REF.: 1/A5.10



	QCP	YES <input type="checkbox"/>	NO <input checked="" type="checkbox"/>
	LEED	YES <input type="checkbox"/>	NO <input checked="" type="checkbox"/>
	FSC	YES <input type="checkbox"/>	NO <input checked="" type="checkbox"/>
	NAUF	YES <input type="checkbox"/>	NO <input checked="" type="checkbox"/>

FINISHES:

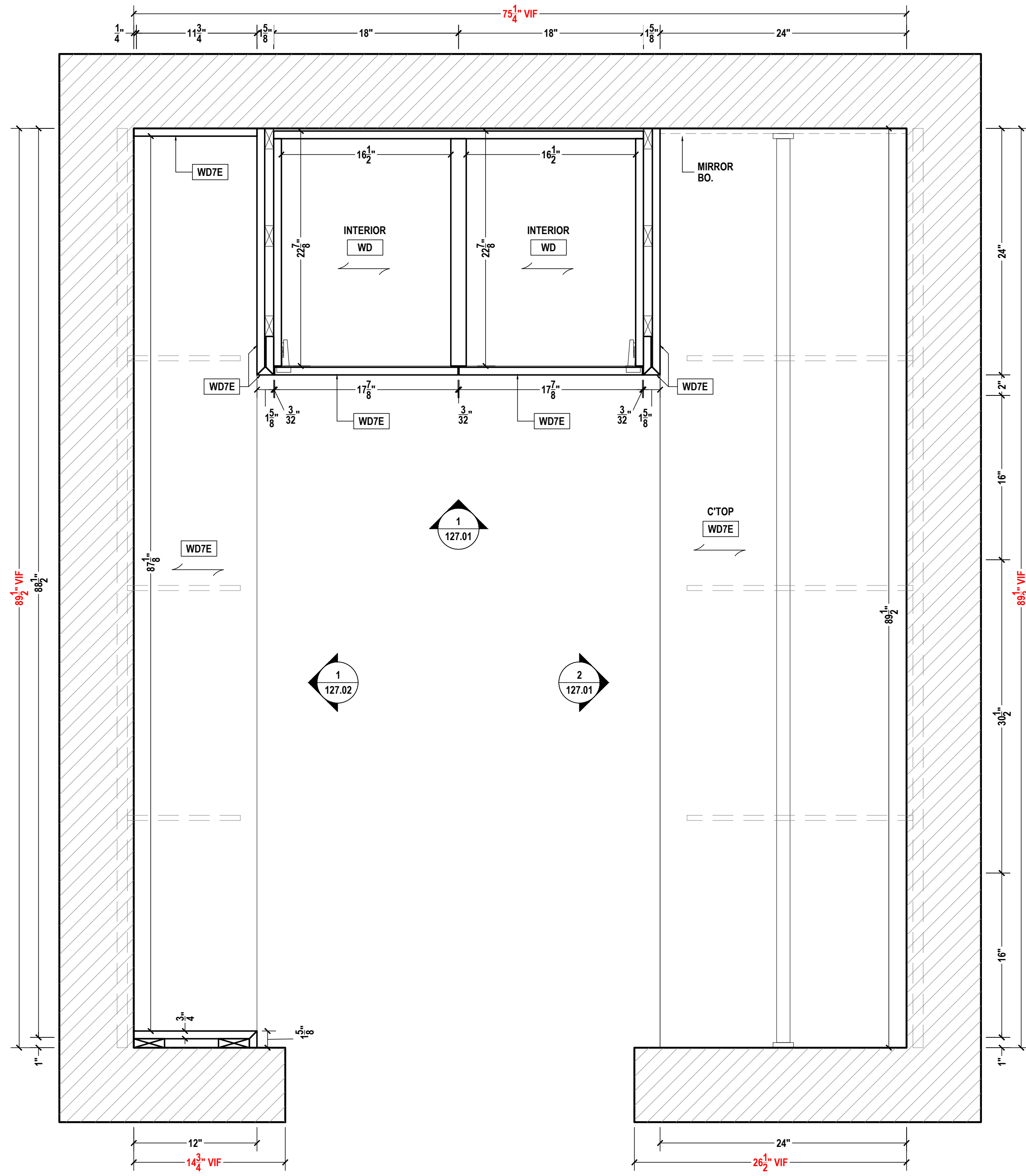
KEY	WOOD COLOR	GRAIN
WD7E	STAINED RIFT SAWN WHITE OAK	YES
INTERIOR FINISHES		
KEY	COLOR	GRAIN
WD	PREFINISHED MAPLE	YES
SPECIALS		
KEY	COLOR	GRAIN
MTL2A	METAL TO MATCH SVB RAW WHITE BRONZE	NO

PM:	-
DRAWN BY:	TMS
DATE DRAWN:	10/11/2024
REVIEWED BY:	-

REVISIONS:

No.	DATE	DESCRIPTIONS	BY:
△	-	-	-
△	-	-	-
△	-	-	-
△	-	-	-
△	-	-	-
△	-	-	-
△	-	-	-
△	-	-	-

APPROVAL DATE	-
PLOT DATE	11/13/2024
PROJECT NUMBER	-----
ROOM NAME	127 - CLOSET
SHEET NUMBER	127.01



1 127 - CLOSET 1
 PLAN SECTION
 SCALE: 1-1/2"=1'-0" ARCH REF.: 1/A2.10



QCP	YES <input type="checkbox"/>	NO <input checked="" type="checkbox"/>
LEED	YES <input type="checkbox"/>	NO <input checked="" type="checkbox"/>
FSC	YES <input type="checkbox"/>	NO <input checked="" type="checkbox"/>
NAUF	YES <input type="checkbox"/>	NO <input checked="" type="checkbox"/>

FINISHES:

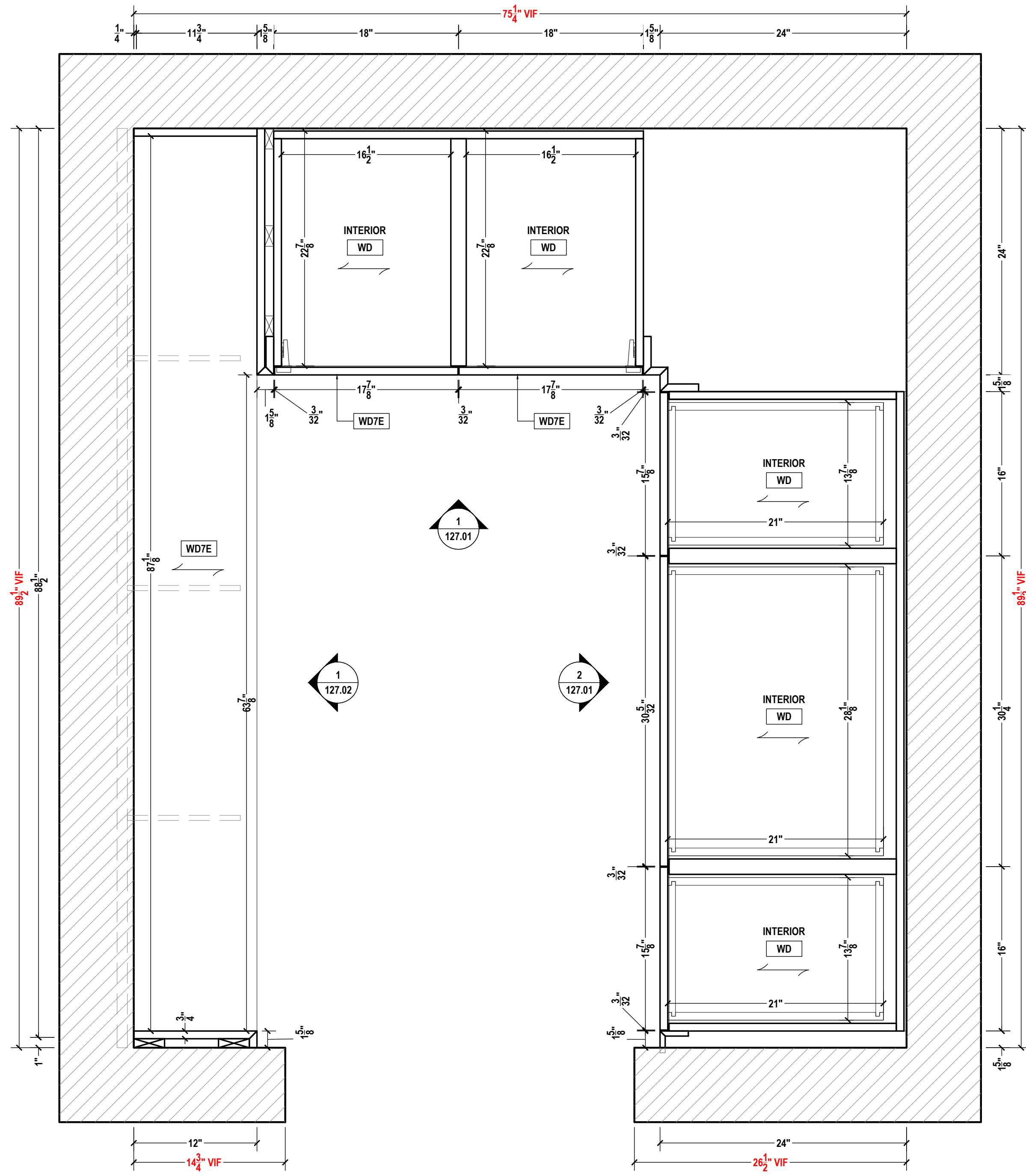
WOOD		GRAIN
KEY	COLOR	YES
WD7E	STAINED RIFT SAWN WHITE OAK	YES
INTERIOR FINISHES		GRAIN
KEY	COLOR	YES
WD	PREFINISHED MAPLE	YES
KEY	SPECIALS	GRAIN
KEY	COLOR	GRAIN
MTL2A	METAL TO MATCH SVB RAW WHITE BRONZE	NO

PM:	-
DRAWN BY:	TMS
DATE DRAWN:	10/11/2024
REVIEWED BY:	-

REVISIONS:

No.	DATE:	DESCRIPTIONS:	BY:
△	-	-	-
△	-	-	-
△	-	-	-
△	-	-	-
△	-	-	-
△	-	-	-
△	-	-	-
△	-	-	-

APPROVAL DATE	-
PLOT DATE	11/13/2024
PROJECT NUMBER	-----
ROOM NAME	127 - CLOSET
SHEET NUMBER	127.03



1 127 - CLOSET 1
 PLAN SECTION
 SCALE: 1-1/2"=1'-0" ARCH REF.: N/A



QCP	YES <input type="checkbox"/>	NO <input checked="" type="checkbox"/>
LEED	YES <input type="checkbox"/>	NO <input checked="" type="checkbox"/>
FSC	YES <input type="checkbox"/>	NO <input checked="" type="checkbox"/>
NAUF	YES <input type="checkbox"/>	NO <input checked="" type="checkbox"/>

FINISHES:

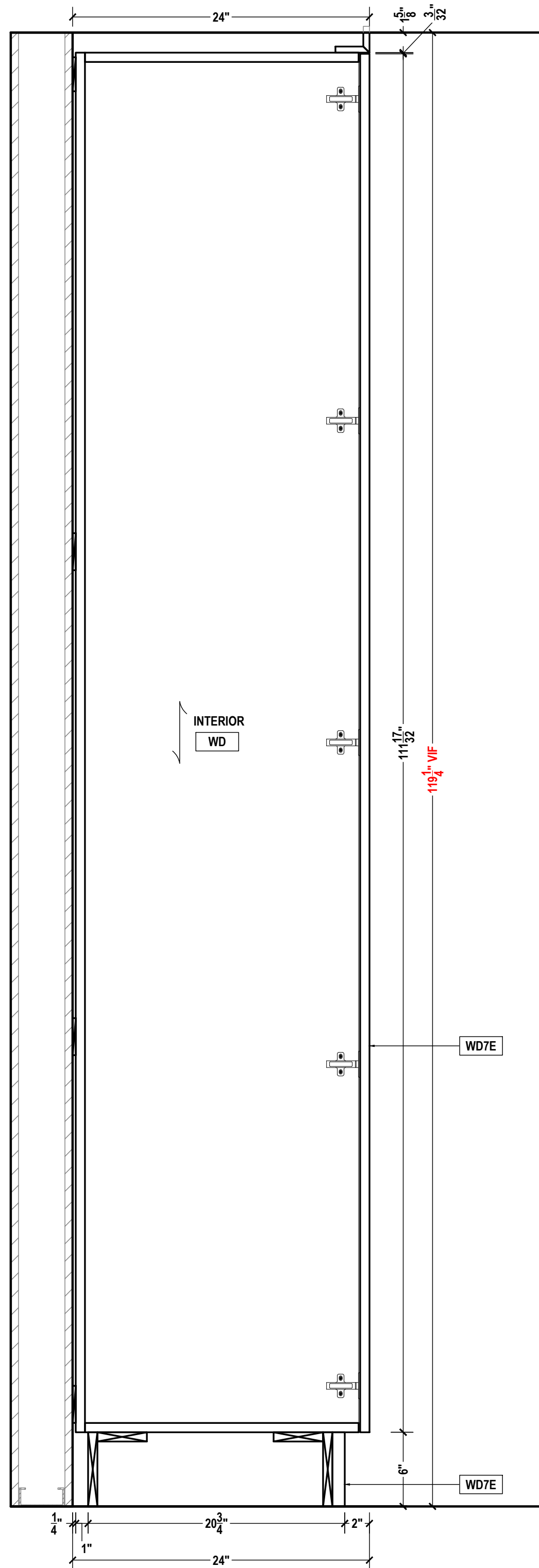
KEY	WOOD COLOR	GRAIN
WD7E	STAINED RIPT SAWN WHITE OAK	YES
INTERIOR FINISHES		
KEY	COLOR	GRAIN
WD	PREFINISHED MAPLE	YES
SPECIALS		
KEY	COLOR	GRAIN
MTL2A	METAL TO MATCH SVB RAW WHITE BRONZE	NO

PM:	-
DRAWN BY:	TMS
DATE DRAWN:	10/11/2024
REVIEWED BY:	-

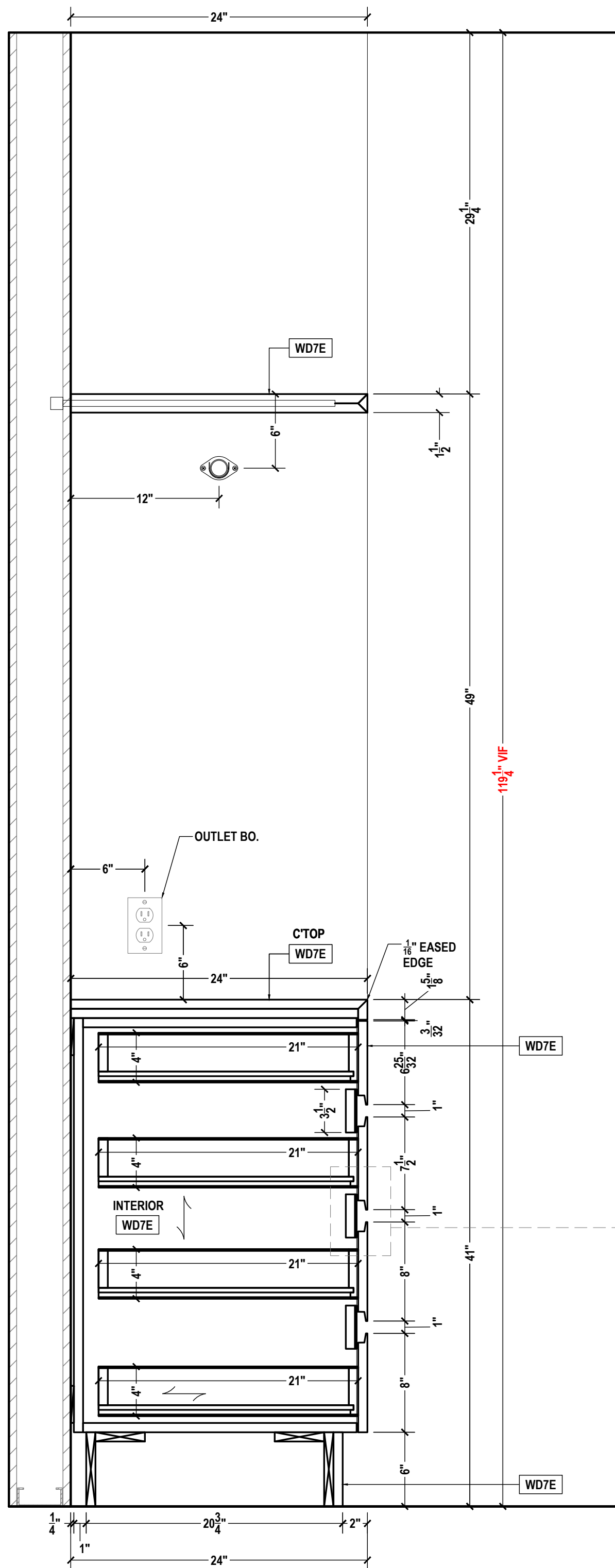
REVISIONS:

No.	DATE:	DESCRIPTIONS:	BY:
△	-	-	-
△	-	-	-
△	-	-	-
△	-	-	-
△	-	-	-
△	-	-	-
△	-	-	-
△	-	-	-

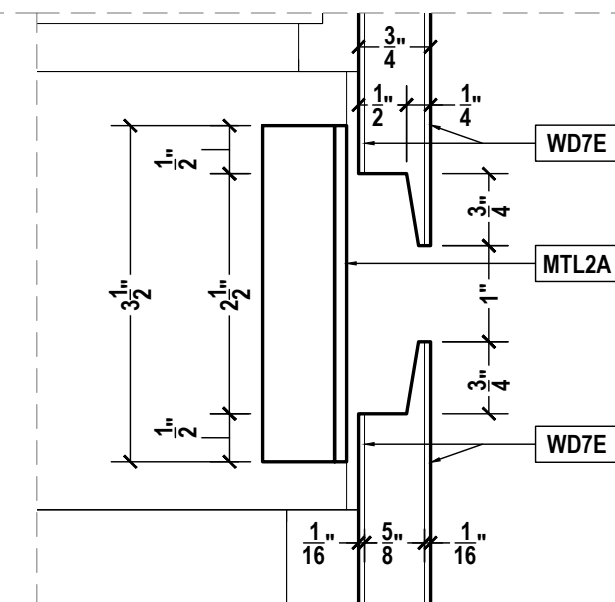
APPROVAL DATE	-
PLOT DATE	11/13/2024
PROJECT NUMBER	-----
ROOM NAME	127 - CLOSET
SHEET NUMBER	127.04



1 127 - CLOSET 1
SECTION
SCALE: 1-1/2"=1'-0" ARCH REF.: N/A



2 127 - CLOSET 1
SECTION
SCALE: 1-1/2"=1'-0" ARCH REF.: N/A



3 127 - CLOSET 1
DETAIL
SCALE: 6"=1'-0" ARCH REF.: 2/A9.20



QCP	YES <input type="checkbox"/>	NO <input checked="" type="checkbox"/>
LEED	YES <input type="checkbox"/>	NO <input checked="" type="checkbox"/>
FSC	YES <input type="checkbox"/>	NO <input checked="" type="checkbox"/>
NAUF	YES <input type="checkbox"/>	NO <input checked="" type="checkbox"/>

FINISHES:

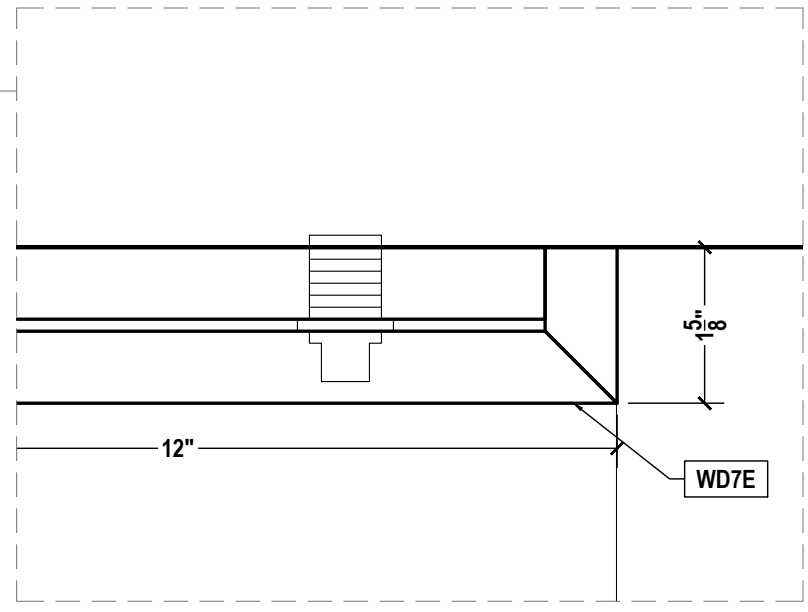
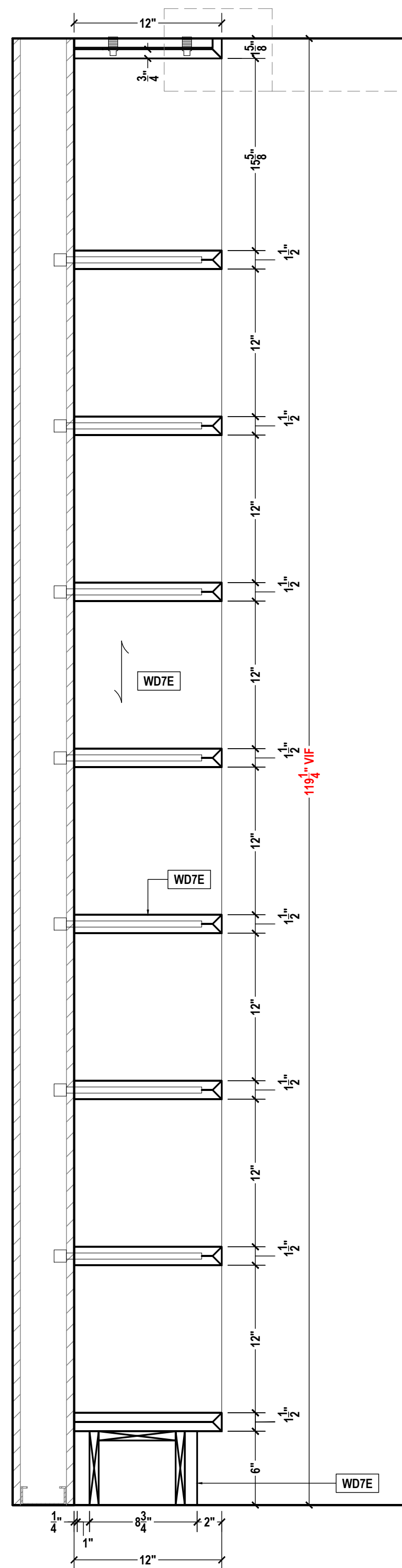
WOOD		GRAIN
KEY	COLOR	
WD7E	STAINED RIFT SAWN WHITE OAK	YES
INTERIOR FINISHES		GRAIN
KEY	COLOR	
WD	PREFINISHED MAPLE	YES
KEY	SPECIALS	
MTL2A	METAL TO MATCH SVB RAW WHITE BRONZE	NO

PM:	-
DRAWN BY:	TMS
DATE DRAWN:	10/11/2024
REVIEWED BY:	-

REVISIONS:

No.	DATE	DESCRIPTIONS	BY:
△	-	-	-
△	-	-	-
△	-	-	-
△	-	-	-
△	-	-	-
△	-	-	-
△	-	-	-
△	-	-	-

APPROVAL DATE	-
PLOT DATE	11/13/2024
PROJECT NUMBER	-----
ROOM NAME	127 - CLOSET
SHEET NUMBER	127.05



2 127 - CLOSET 1
DETAIL
SCALE: 6"=1'0" ARCH REF.: N/A

1 127 - CLOSET 1
SECTION
SCALE: 1-1/2"=1'-0" ARCH REF.: N/A



QCP	YES <input type="checkbox"/>	NO <input checked="" type="checkbox"/>
LEED	YES <input type="checkbox"/>	NO <input checked="" type="checkbox"/>
FSC	YES <input type="checkbox"/>	NO <input checked="" type="checkbox"/>
NAUF	YES <input type="checkbox"/>	NO <input checked="" type="checkbox"/>

FINISHES:

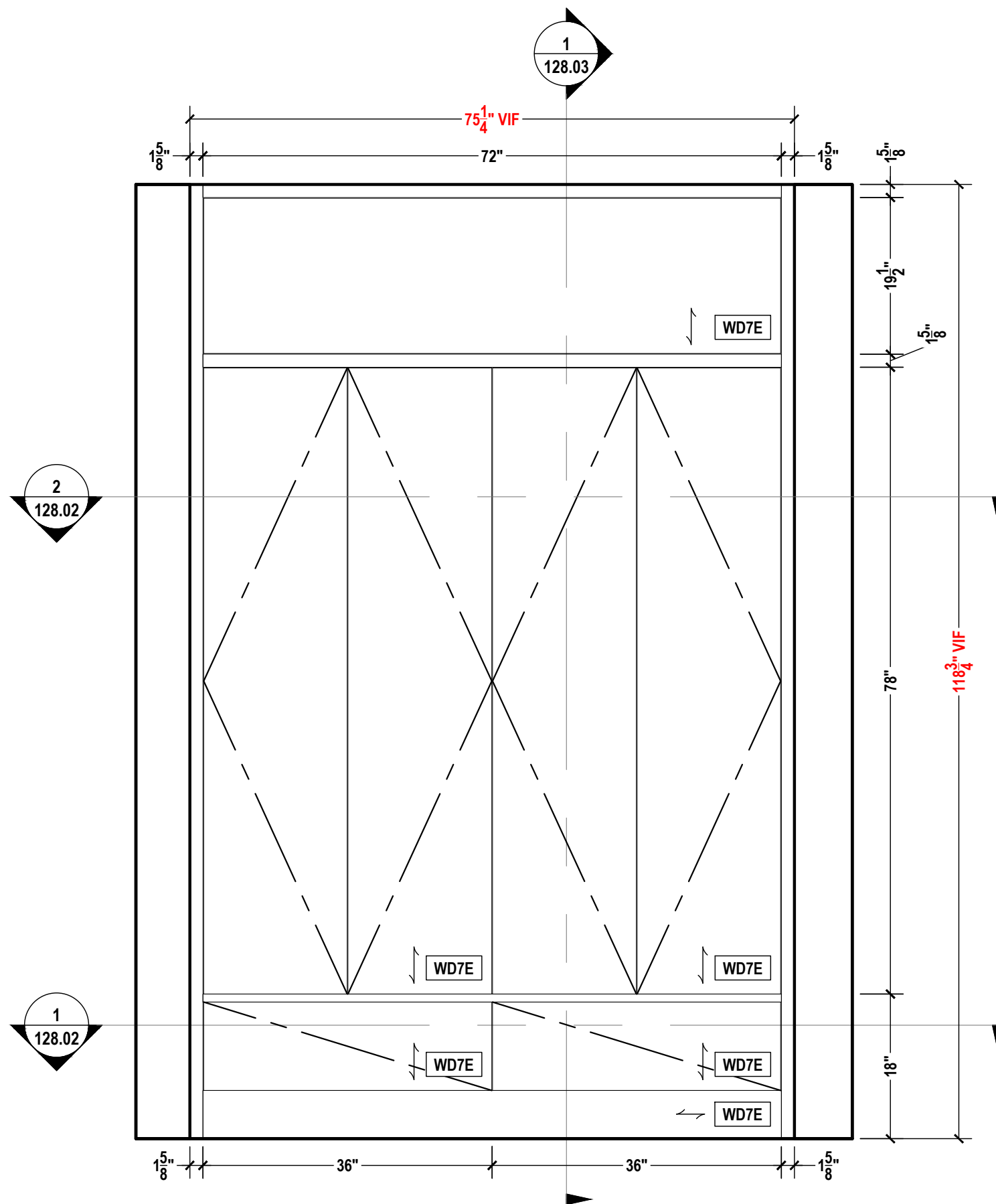
WOOD		
KEY	COLOR	GRAIN
WD7E	STAINED RIFT SAWN WHITE OAK	YES
INTERIOR FINISHES		
KEY	COLOR	GRAIN
WD	PREFINISHED MAPLE	YES
SPECIALS		
KEY	COLOR	GRAIN
MTL2A	METAL TO MATCH SVB RAW WHITE BRONZE	NO

PM:	-
DRAWN BY:	TMS
DATE DRAWN:	10/11/2024
REVIEWED BY:	-

REVISIONS:

No.	DATE:	DESCRIPTIONS:	BY:
△	-	-	-
△	-	-	-
△	-	-	-
△	-	-	-
△	-	-	-
△	-	-	-
△	-	-	-
△	-	-	-

APPROVAL DATE	-
PLOT DATE	11/13/2024
PROJECT NUMBER	-----
ROOM NAME	127 - CLOSET
SHEET NUMBER	127.06



1 128 - BED 1
ELEVATION
SCALE: 3/4"=1'-0" ARCH REF.: 7/A5.11

	QCP	YES <input type="checkbox"/>	NO <input checked="" type="checkbox"/>
	LEED	YES <input type="checkbox"/>	NO <input checked="" type="checkbox"/>
	FSC	YES <input type="checkbox"/>	NO <input checked="" type="checkbox"/>
	NAUF	YES <input type="checkbox"/>	NO <input checked="" type="checkbox"/>

FINISHES:

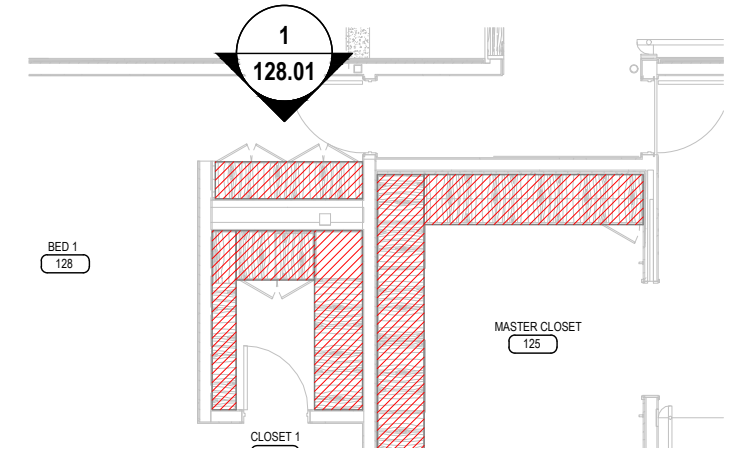
KEY	WOOD COLOR	GRAIN
WD7E	STAINED RIFT SAWN WHITE OAK	YES
KEY	INTERIOR FINISHES COLOR	GRAIN
WD	PREFINISHED MAPLE	YES
KEY	SPECIALS COLOR	GRAIN
MTL2A	METAL TO MATCH SVB RAW WHITE BRONZE	NO

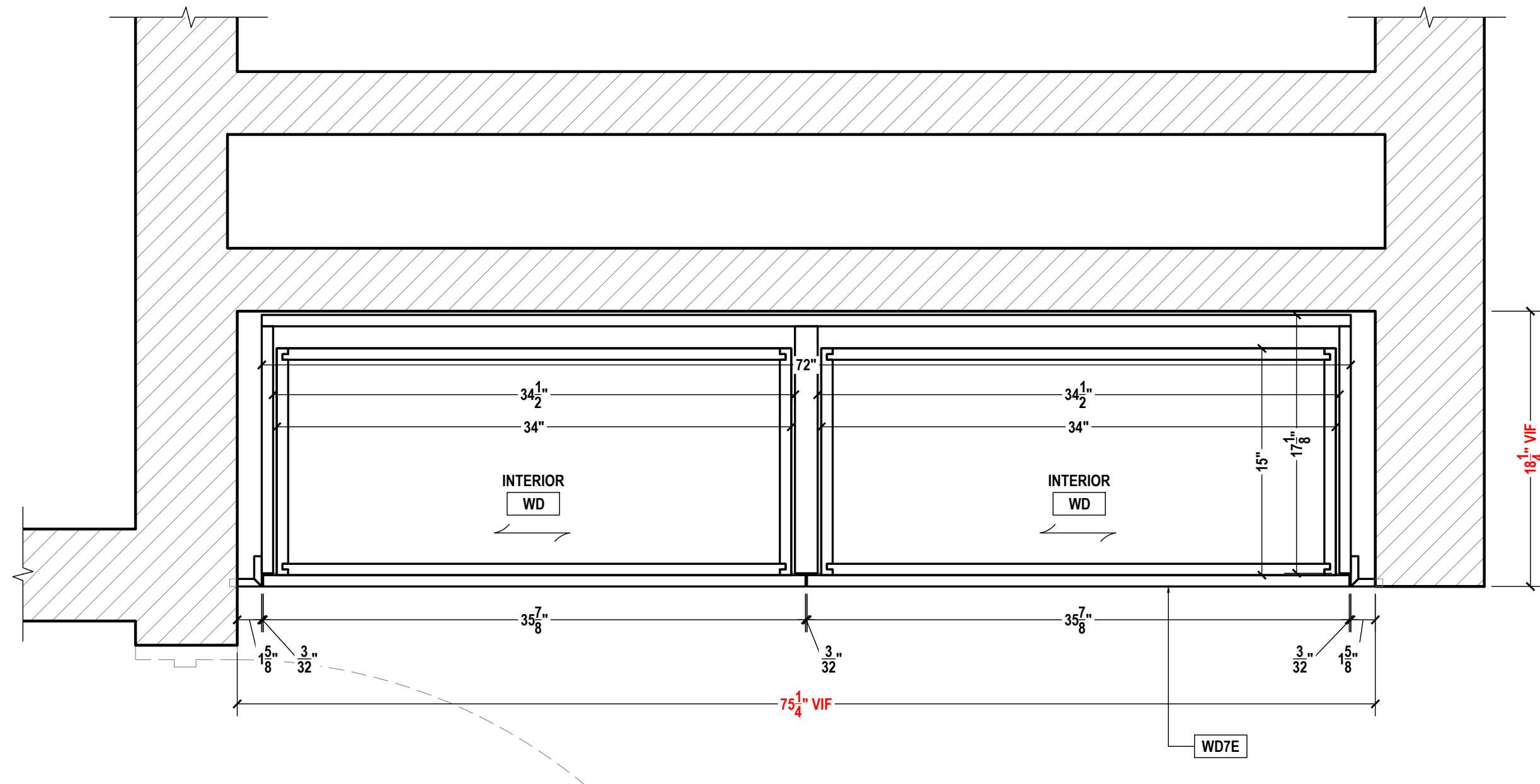
PM:	-
DRAWN BY:	TMS
DATE DRAWN:	10/11/2024
REVIEWED BY:	-

REVISIONS:

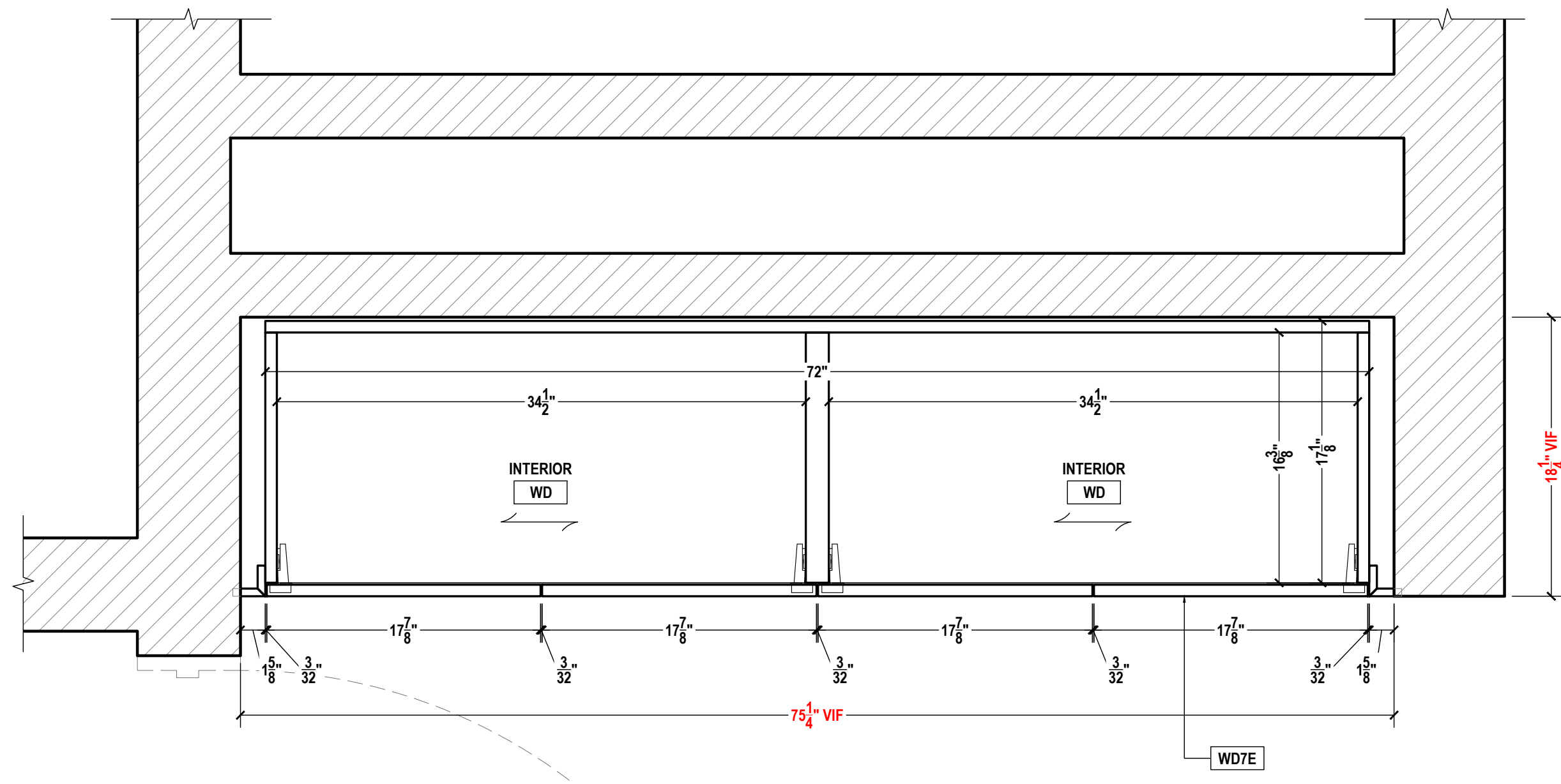
No.	DATE	DESCRIPTIONS	BY:
△	-	-	-
△	-	-	-
△	-	-	-
△	-	-	-
△	-	-	-
△	-	-	-
△	-	-	-
△	-	-	-

APPROVAL DATE	-
PLOT DATE	11/13/2024
PROJECT NUMBER	-----
ROOM NAME	128 - BED 1
SHEET NUMBER	128.01





1 128 - BED 1
 PLAN SECTION
 SCALE: 1-1/2"=1'-0" ARCH REF.: N/A



2 128 - BED 1
 PLAN SECTION
 SCALE: 1-1/2"=1'-0" ARCH REF.: 1/A2.10



QCP	YES <input type="checkbox"/>	NO <input checked="" type="checkbox"/>
LEED	YES <input type="checkbox"/>	NO <input checked="" type="checkbox"/>
FSC	YES <input type="checkbox"/>	NO <input checked="" type="checkbox"/>
NAUF	YES <input type="checkbox"/>	NO <input checked="" type="checkbox"/>

FINISHES:

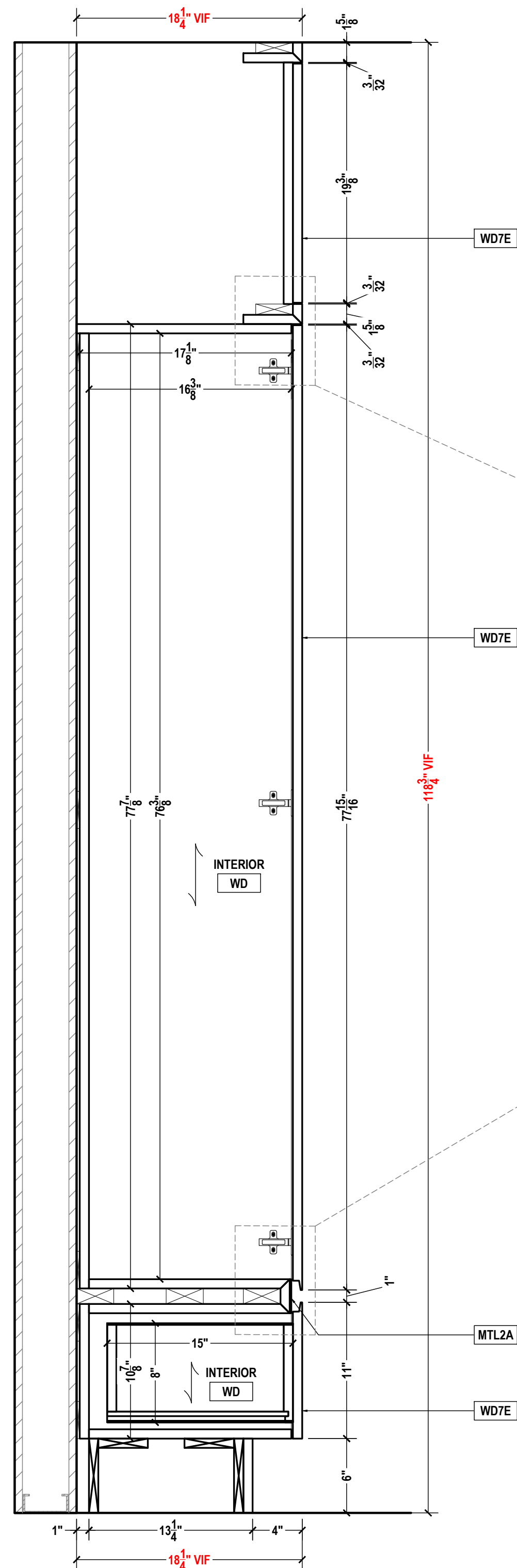
WOOD		
KEY	COLOR	GRAIN
WD7E	STAINED RIFT SAWN WHITE OAK	YES
INTERIOR FINISHES		
KEY	COLOR	GRAIN
WD	PREFINISHED MAPLE	YES
SPECIALS		
KEY	COLOR	GRAIN
MTL2A	METAL TO MATCH SVB RAW WHITE BRONZE	NO

PM:	-
DRAWN BY:	TMS
DATE DRAWN:	10/11/2024
REVIEWED BY:	-

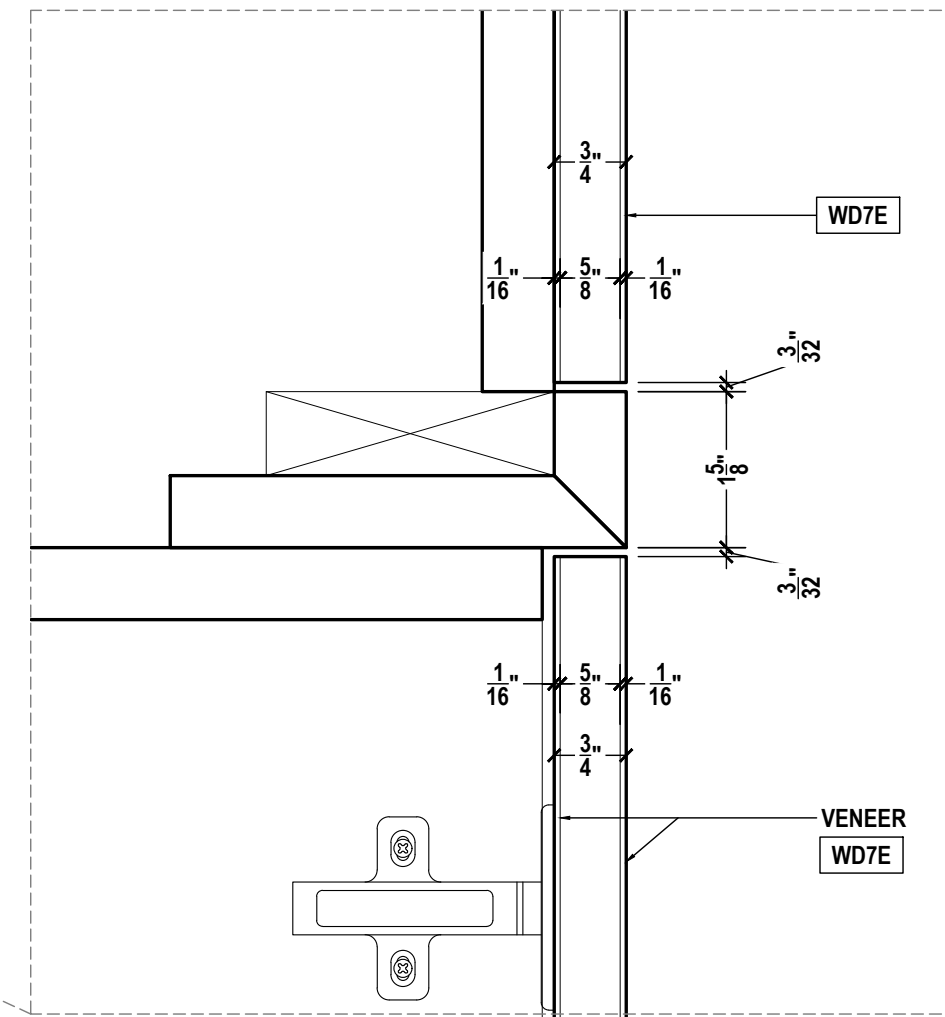
REVISIONS:

No.	DATE	DESCRIPTIONS	BY:
△	-	-	-
△	-	-	-
△	-	-	-
△	-	-	-
△	-	-	-
△	-	-	-
△	-	-	-
△	-	-	-

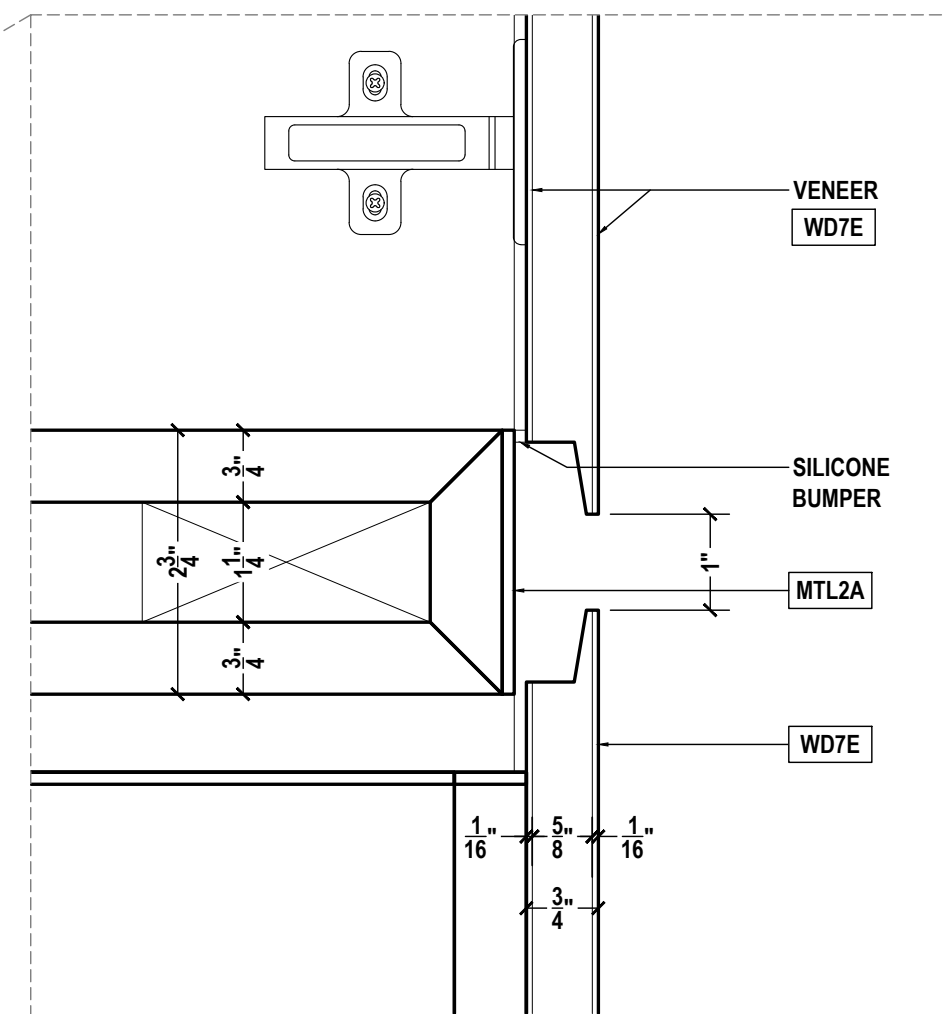
APPROVAL DATE	-
PLOT DATE	11/13/2024
PROJECT NUMBER	-----
ROOM NAME	128 - BED 1
SHEET NUMBER	128.02



1 128 - BED 1
SECTION
SCALE: 1-1/2"=1'-0" ARCH REF.: N/A



2 128 - BED 1
DETAIL
SCALE: 6"=1'-0" ARCH REF.: N/A



3 128 - BED 1
DETAIL
SCALE: 6"=1'-0" ARCH REF.: N/A



QCP	YES <input type="checkbox"/>	NO <input checked="" type="checkbox"/>
LEED	YES <input type="checkbox"/>	NO <input checked="" type="checkbox"/>
FSC	YES <input type="checkbox"/>	NO <input checked="" type="checkbox"/>
NAUF	YES <input type="checkbox"/>	NO <input checked="" type="checkbox"/>

FINISHES:

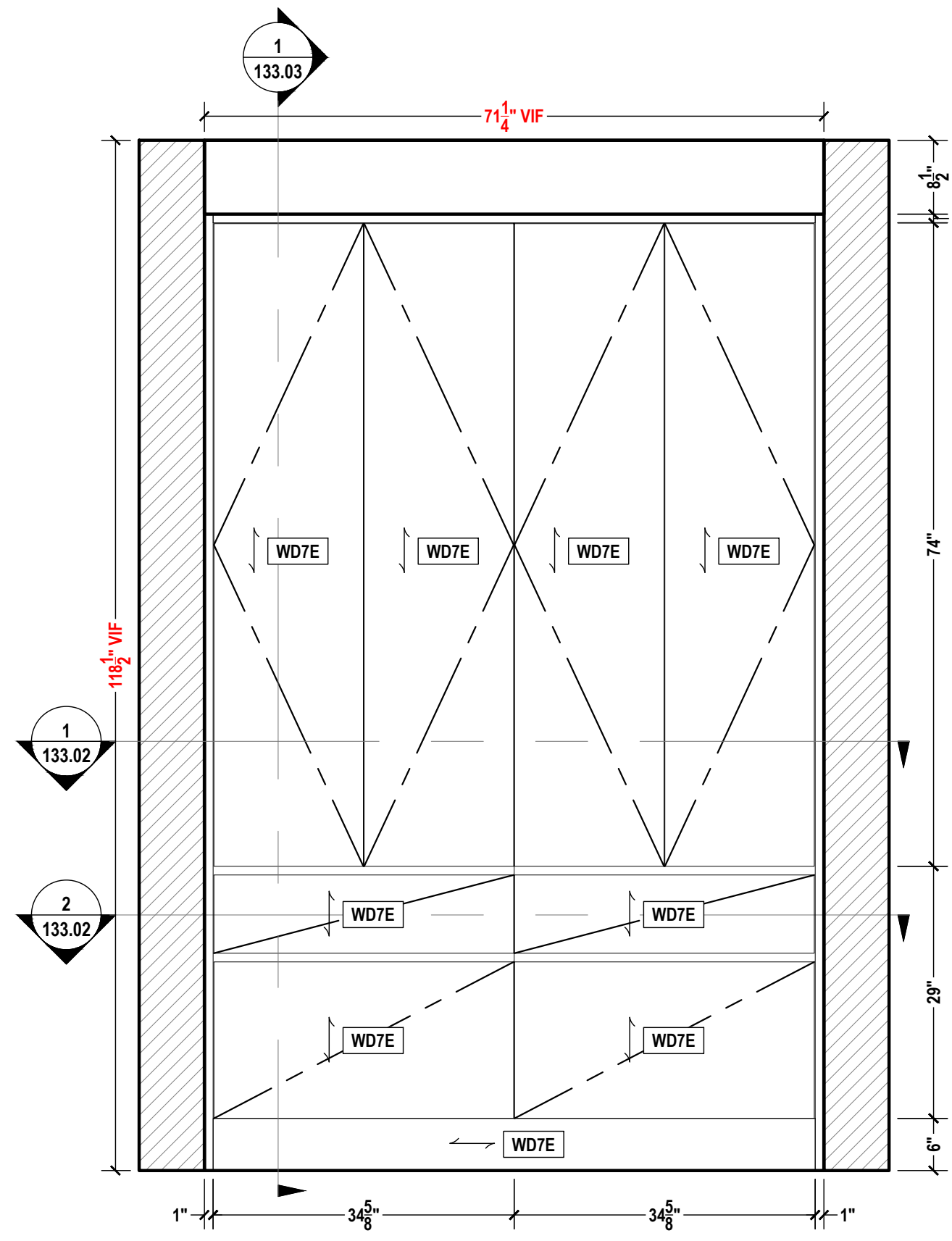
WOOD		GRAIN
KEY	COLOR	
WD7E	STAINED RIFT SAWN WHITE OAK	YES
INTERIOR FINISHES		GRAIN
KEY	COLOR	
WD	PREFINISHED MAPLE	YES
SPECIALS		GRAIN
KEY	COLOR	
MTL2A	METAL TO MATCH SVB RAW WHITE BRONZE	NO

PM:	-
DRAWN BY:	TMS
DATE DRAWN:	10/11/2024
REVIEWED BY:	-

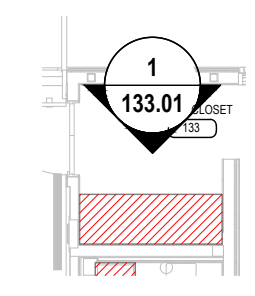
REVISIONS:

No.	DATE:	DESCRIPTIONS:	BY:
△	-	-	-
△	-	-	-
△	-	-	-
△	-	-	-
△	-	-	-
△	-	-	-
△	-	-	-
△	-	-	-

APPROVAL DATE	-
PLOT DATE	11/13/2024
PROJECT NUMBER	-----
ROOM NAME	128 - BED 1
SHEET NUMBER	128.03



1 133 - LINEN CLOSET
 ELEVATION
 SCALE: 3/4"=1'-0" ARCH REF.: 11/A5.04



	QCP	YES <input type="checkbox"/>	NO <input checked="" type="checkbox"/>
	LEED	YES <input type="checkbox"/>	NO <input checked="" type="checkbox"/>
	FSC	YES <input type="checkbox"/>	NO <input checked="" type="checkbox"/>
	NAUF	YES <input type="checkbox"/>	NO <input checked="" type="checkbox"/>

FINISHES:

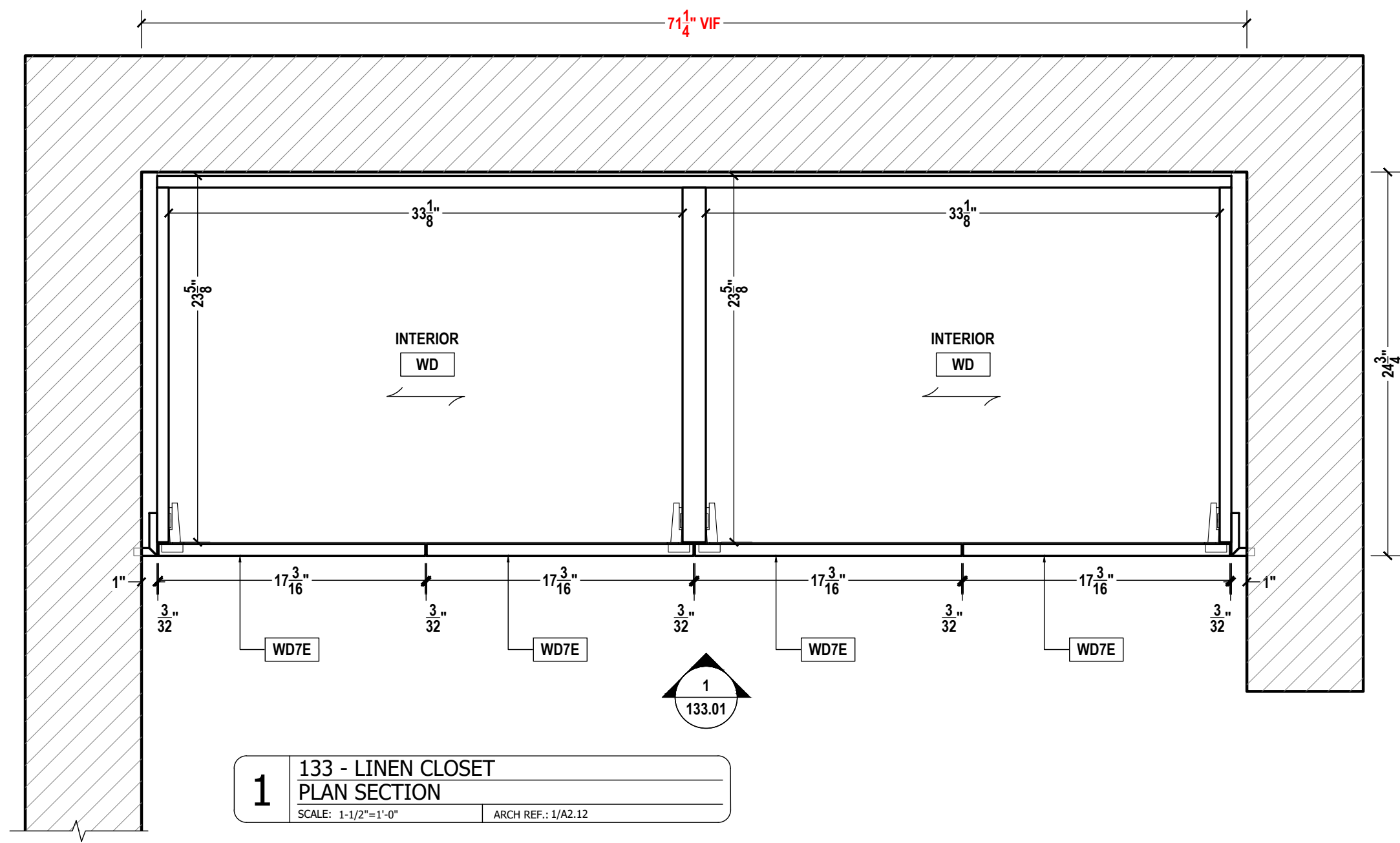
WOOD		GRAIN
KEY	COLOR	
WD7E	STAINED RIPT SAWN WHITE OAK	YES
INTERIOR FINISHES		GRAIN
KEY	COLOR	
WD	PREFINISHED MAPLE	YES
SPECIALS		GRAIN
KEY	COLOR	
MTL2A	METAL TO MATCH SVB RAW WHITE BRONZE	NO

PM:	-
DRAWN BY:	TMS
DATE DRAWN:	10/11/2024
REVIEWED BY:	-

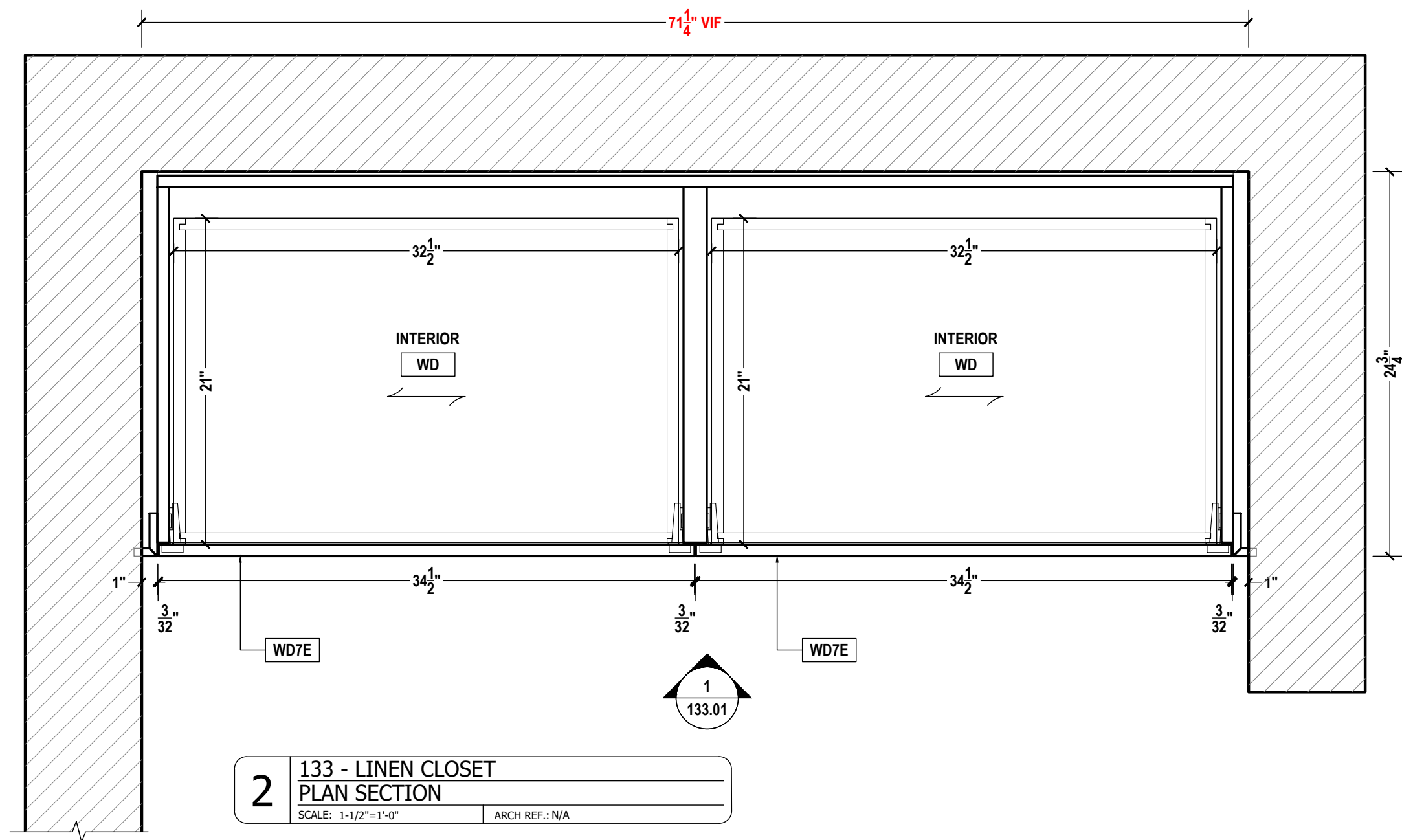
REVISIONS:

No.	DATE:	DESCRIPTIONS:	BY:
△	-	-	-
△	-	-	-
△	-	-	-
△	-	-	-
△	-	-	-
△	-	-	-
△	-	-	-
△	-	-	-

APPROVAL DATE	-
PLOT DATE	11/13/2024
PROJECT NUMBER	-----
ROOM NAME	133 - LINEN CLOSET
SHEET NUMBER	133.01



1 133 - LINEN CLOSET
 PLAN SECTION
 SCALE: 1-1/2"=1'-0" ARCH REF.: 1/A2.12



2 133 - LINEN CLOSET
 PLAN SECTION
 SCALE: 1-1/2"=1'-0" ARCH REF.: N/A

	QCP	YES <input type="checkbox"/>	NO <input checked="" type="checkbox"/>
	LEED	YES <input type="checkbox"/>	NO <input checked="" type="checkbox"/>
	FSC	YES <input type="checkbox"/>	NO <input checked="" type="checkbox"/>
	NAUF	YES <input type="checkbox"/>	NO <input checked="" type="checkbox"/>

FINISHES:

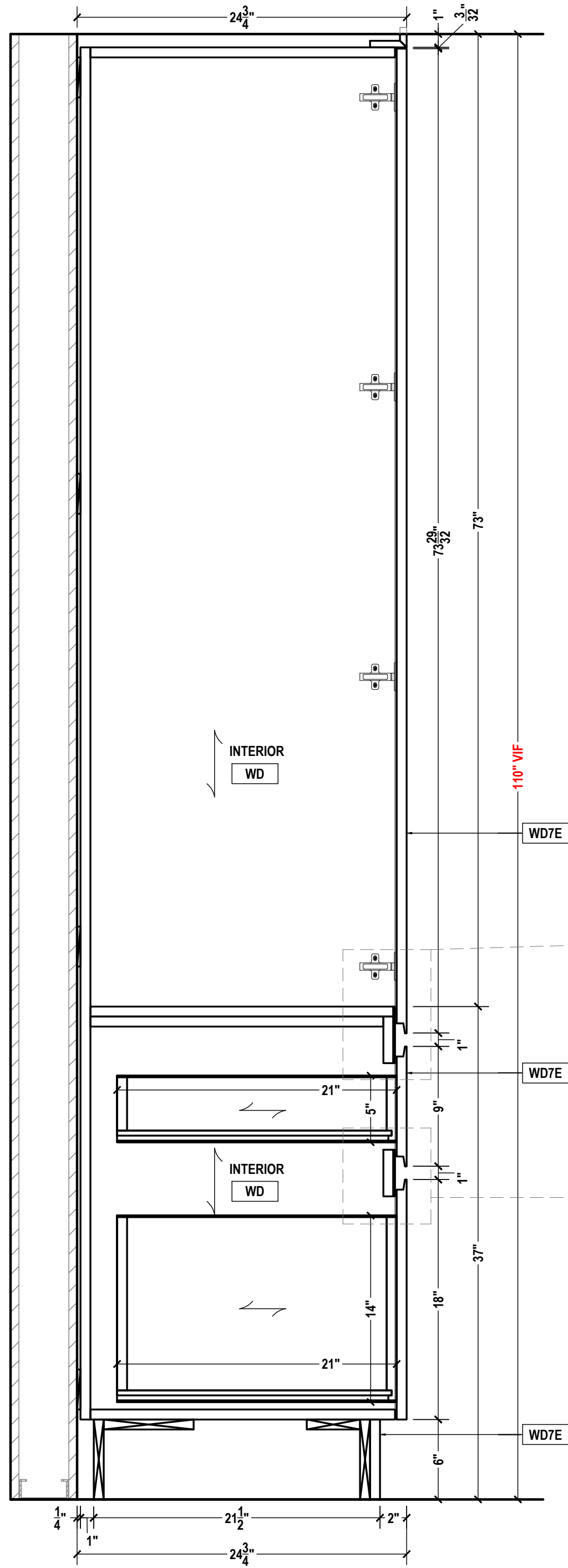
WOOD		GRAIN
KEY	COLOR	
WD7E	STAINED RIFT SAWN WHITE OAK	YES
INTERIOR FINISHES		GRAIN
KEY	COLOR	
WD	PREFINISHED MAPLE	YES
KEY	SPECIALS	
MTL2A	METAL TO MATCH SVB RAW WHITE BRONZE	NO

PM:	-
DRAWN BY:	TMS
DATE DRAWN:	10/11/2024
REVIEWED BY:	-

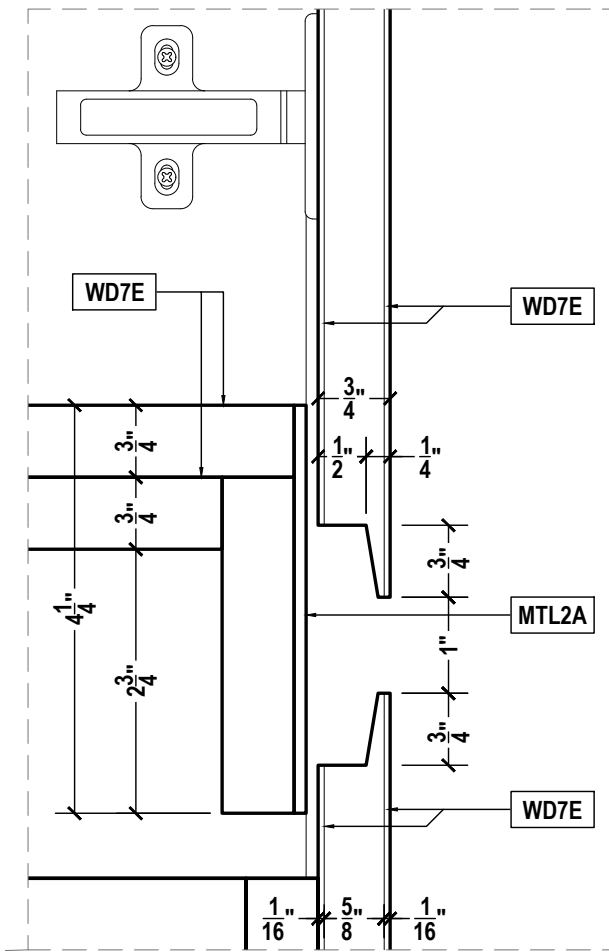
REVISIONS:

No.	DATE	DESCRIPTIONS	BY:
△	-	-	-
△	-	-	-
△	-	-	-
△	-	-	-
△	-	-	-
△	-	-	-
△	-	-	-
△	-	-	-

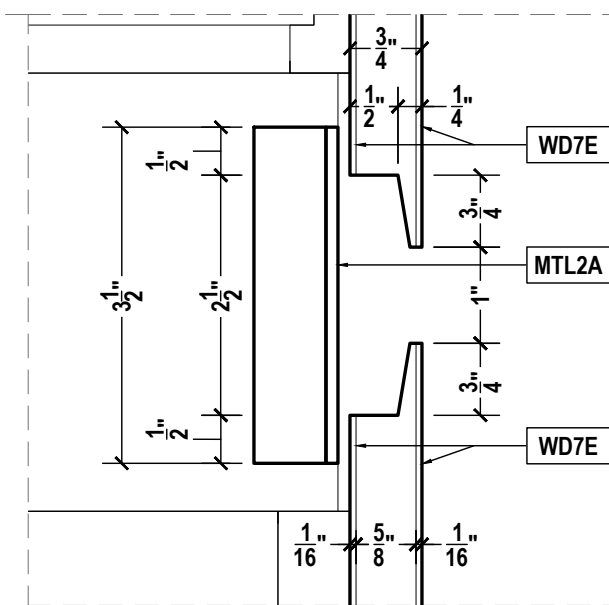
APPROVAL DATE	-
PLOT DATE	11/13/2024
PROJECT NUMBER	-----
ROOM NAME	133 - LINEN CLOSET
SHEET NUMBER	133.02



1 133 - LINEN CLOSET SECTION
SCALE: 1-1/2"=1'-0" ARCH REF.: N/A



3 133 - LINEN CLOSET DETAIL
SCALE: 6"=1'0" ARCH REF.: N/A



2 133 - LINEN CLOSET DETAIL
SCALE: 6"=1'0" ARCH REF.: 2/A9.20



QCP	YES <input type="checkbox"/>	NO <input checked="" type="checkbox"/>
LEED	YES <input type="checkbox"/>	NO <input checked="" type="checkbox"/>
FSC	YES <input type="checkbox"/>	NO <input checked="" type="checkbox"/>
NAUF	YES <input type="checkbox"/>	NO <input checked="" type="checkbox"/>

FINISHES:

WOOD		GRAIN
KEY	COLOR	
WD7E	STAINED RIPT SAWN WHITE OAK	YES
INTERIOR FINISHES		GRAIN
KEY	COLOR	
WD	PREFINISHED MAPLE	YES
SPECIALS		GRAIN
KEY	COLOR	
MTL2A	METAL TO MATCH SVB RAW WHITE BRONZE	NO

PM:	-
DRAWN BY:	TMS
DATE DRAWN:	10/11/2024
REVIEWED BY:	-

REVISIONS:

No.	DATE:	DESCRIPTIONS:	BY:
△	-	-	-
△	-	-	-
△	-	-	-
△	-	-	-
△	-	-	-
△	-	-	-
△	-	-	-
△	-	-	-

APPROVAL DATE	-
PLOT DATE	11/13/2024
PROJECT NUMBER	-----
ROOM NAME	133 - LINEN CLOSET
SHEET NUMBER	133.03