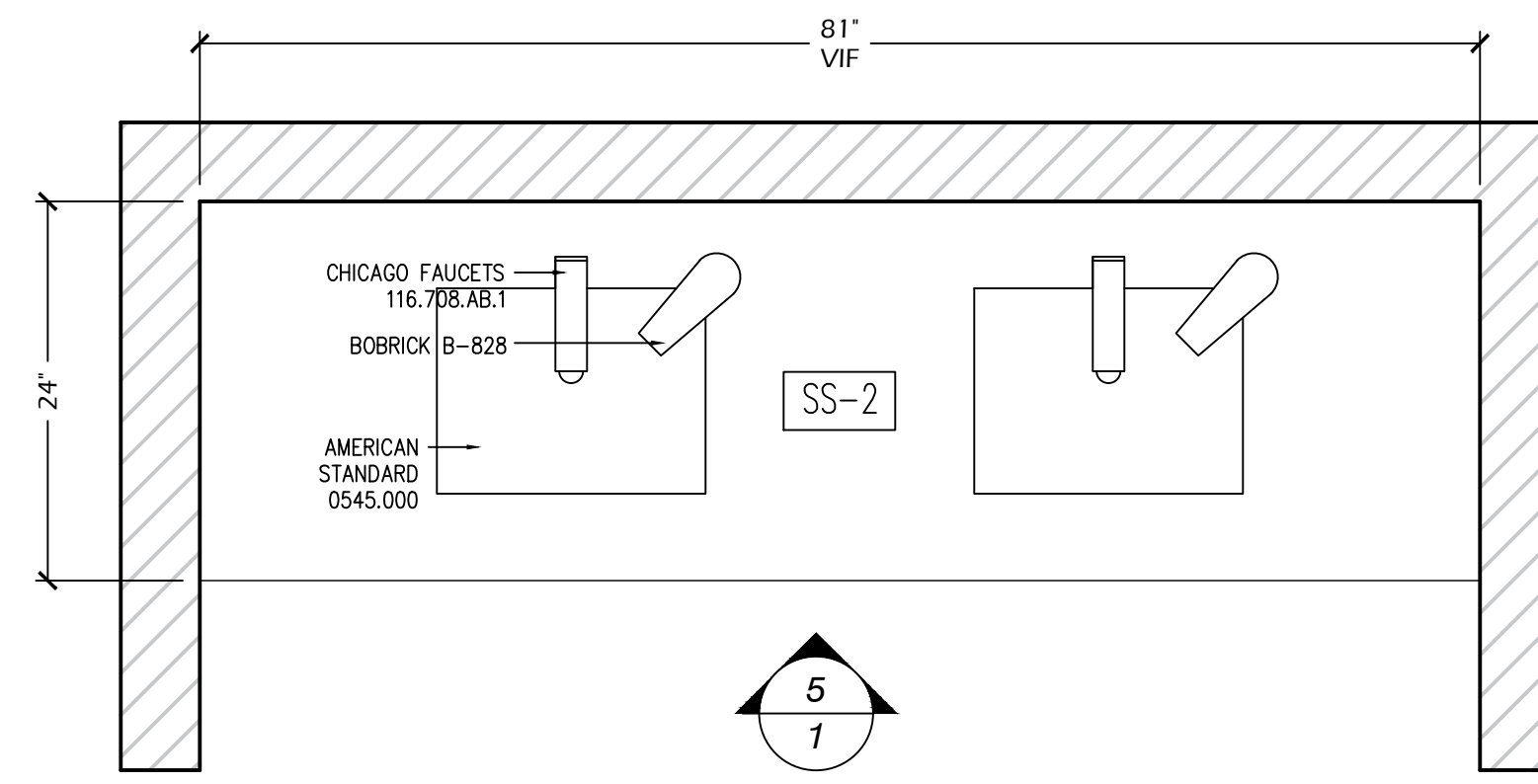
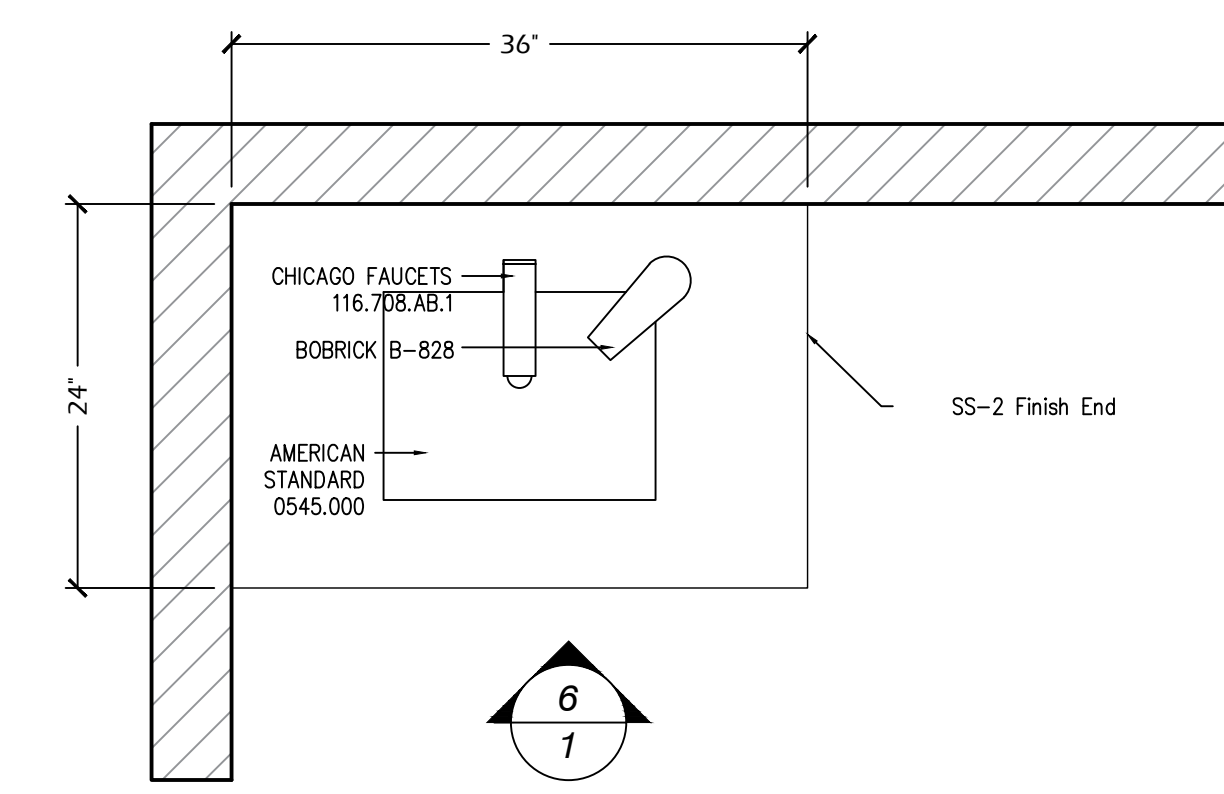


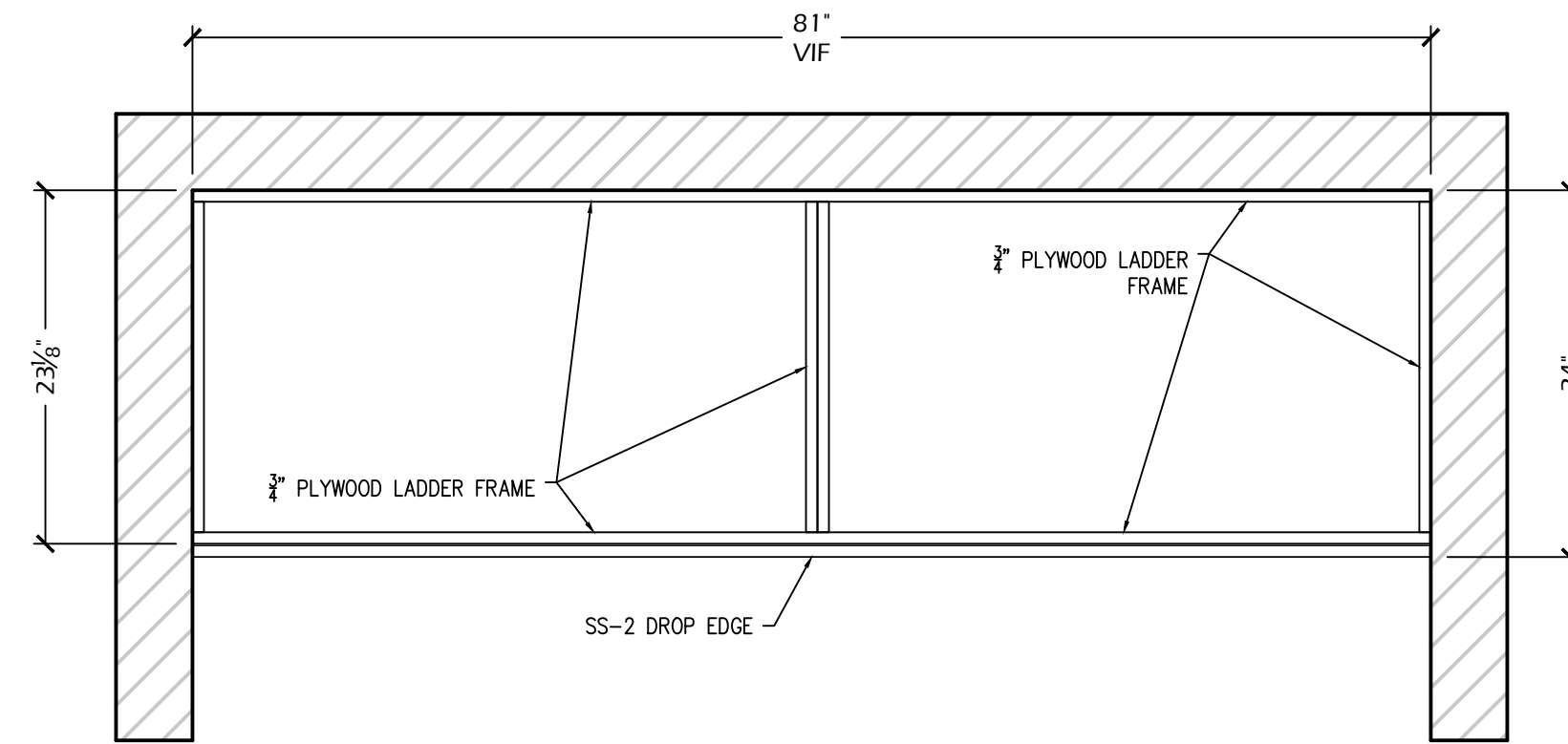
1 Plan View @ Men's Room SL-011.3
Scale : 1" = 1'-0"



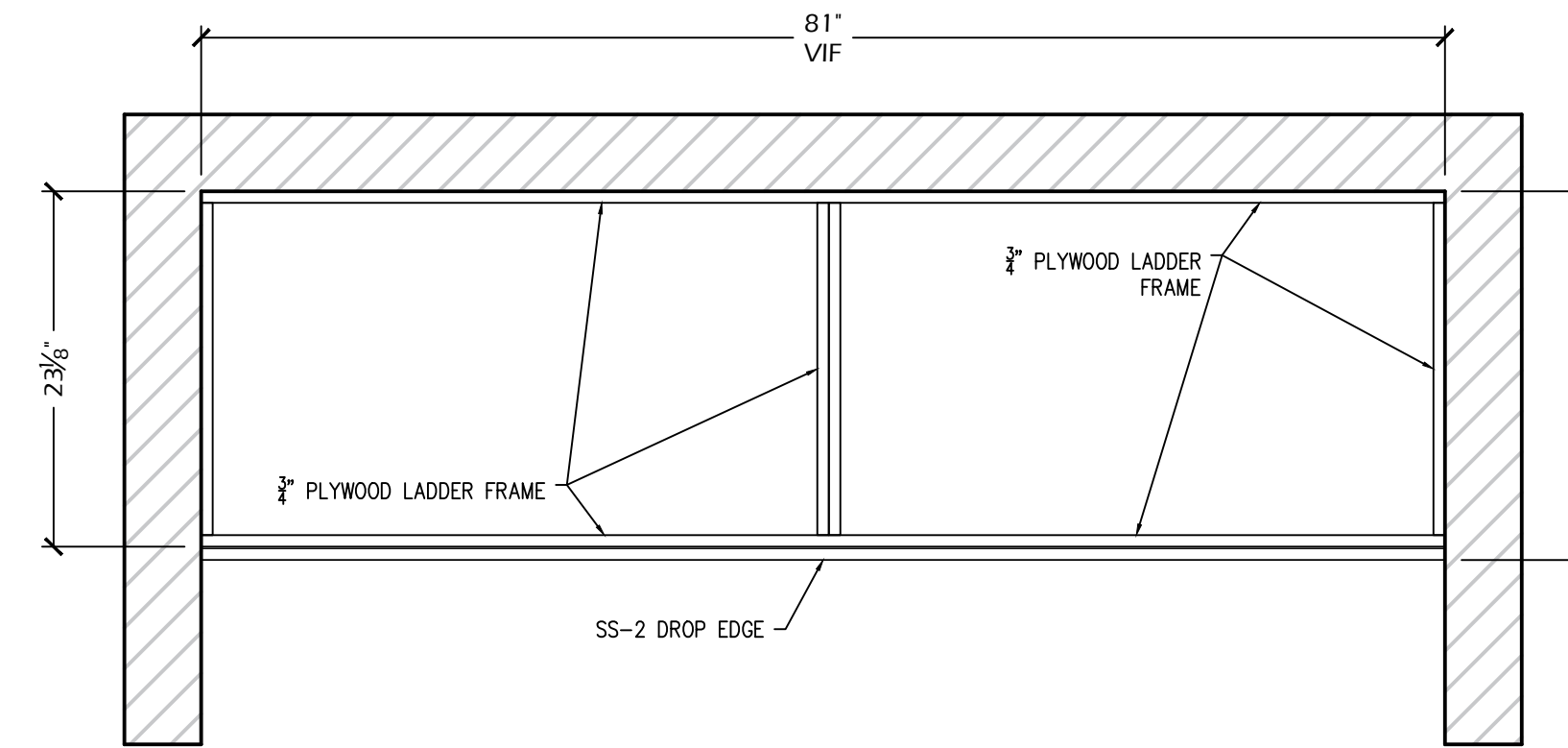
2 Plan View @ Women's Room SL-011.2
Scale : 1" = 1'-0"



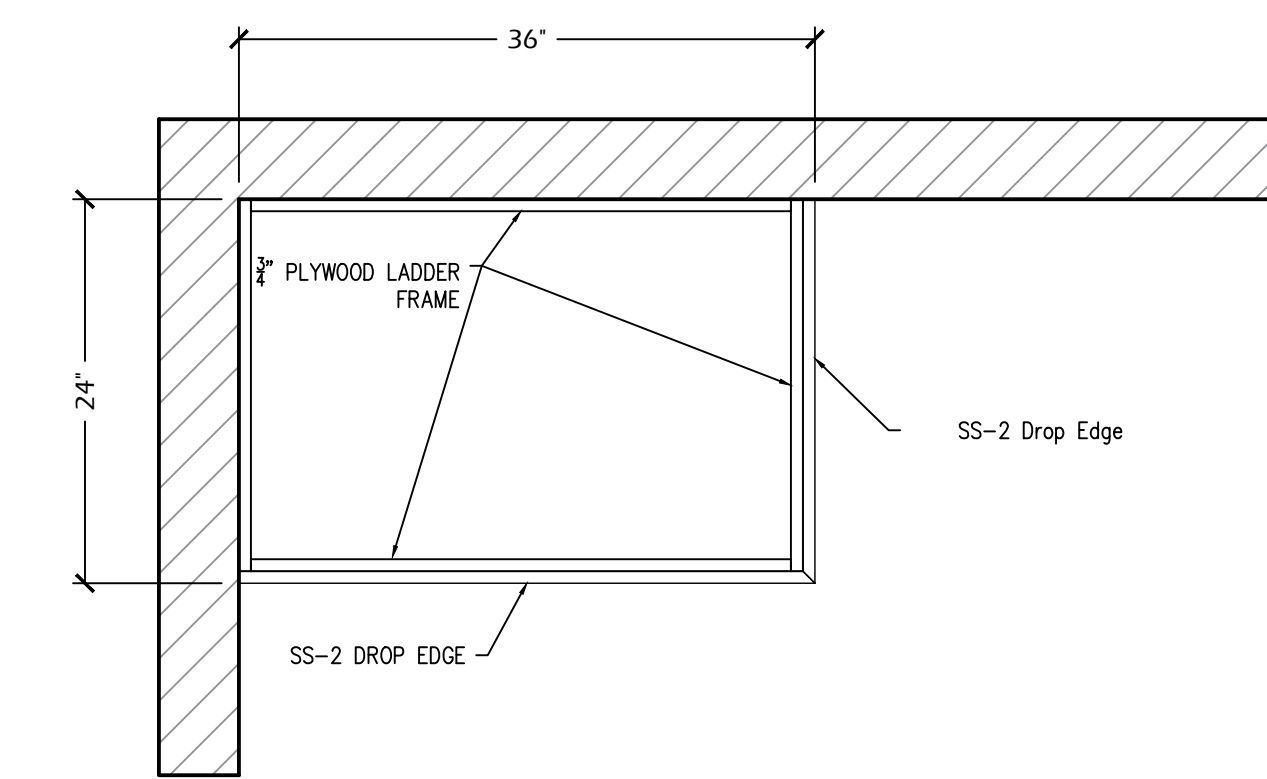
3 Plan View @ Unisex Restroom SL-011.6
Scale : 1" = 1'-0"



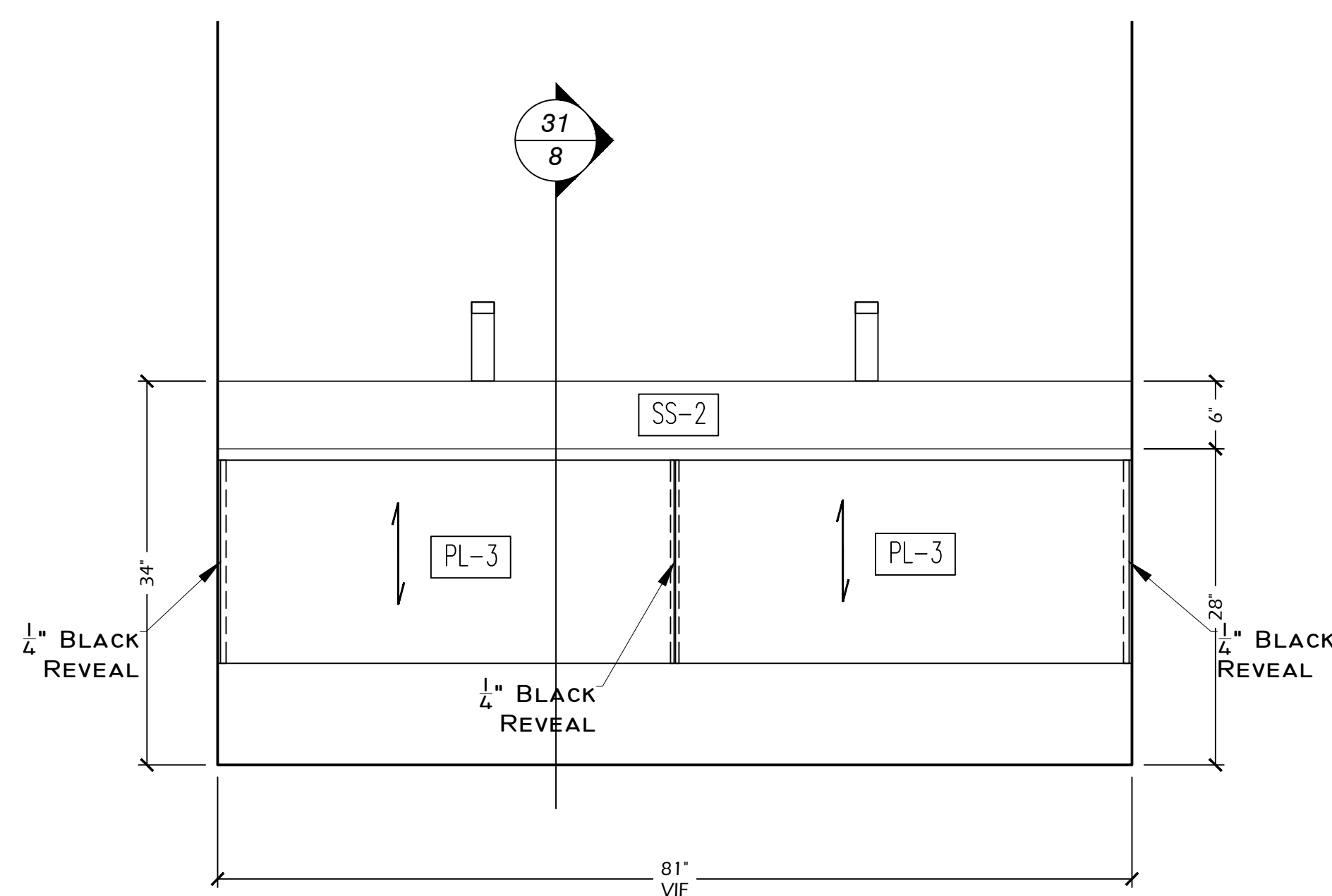
4 Plan Section View @ Men's Room SL-011.3
Scale : 1" = 1'-0"



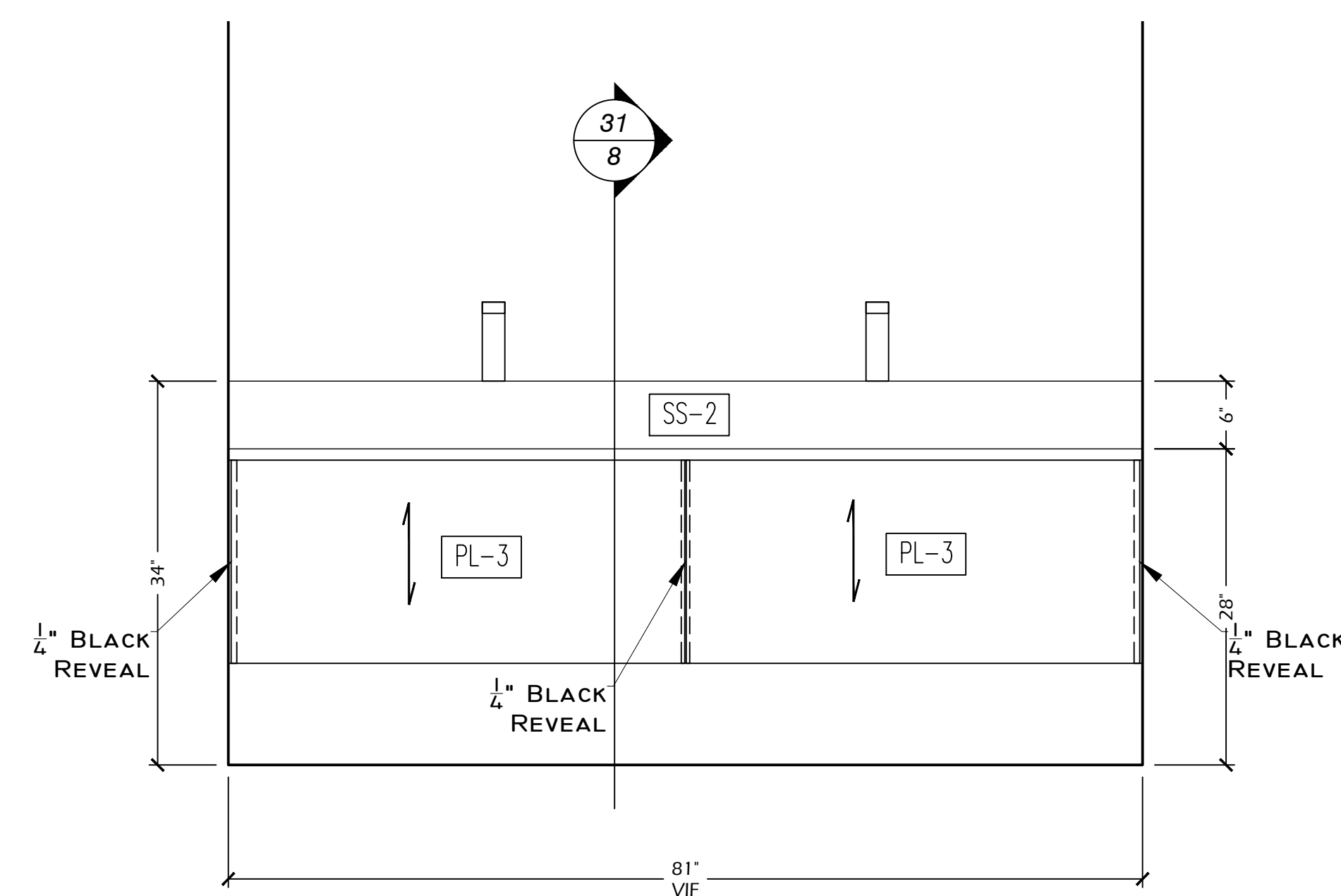
5 Plan Section View @ Women's Room SL-011.2
Scale : 1" = 1'-0"



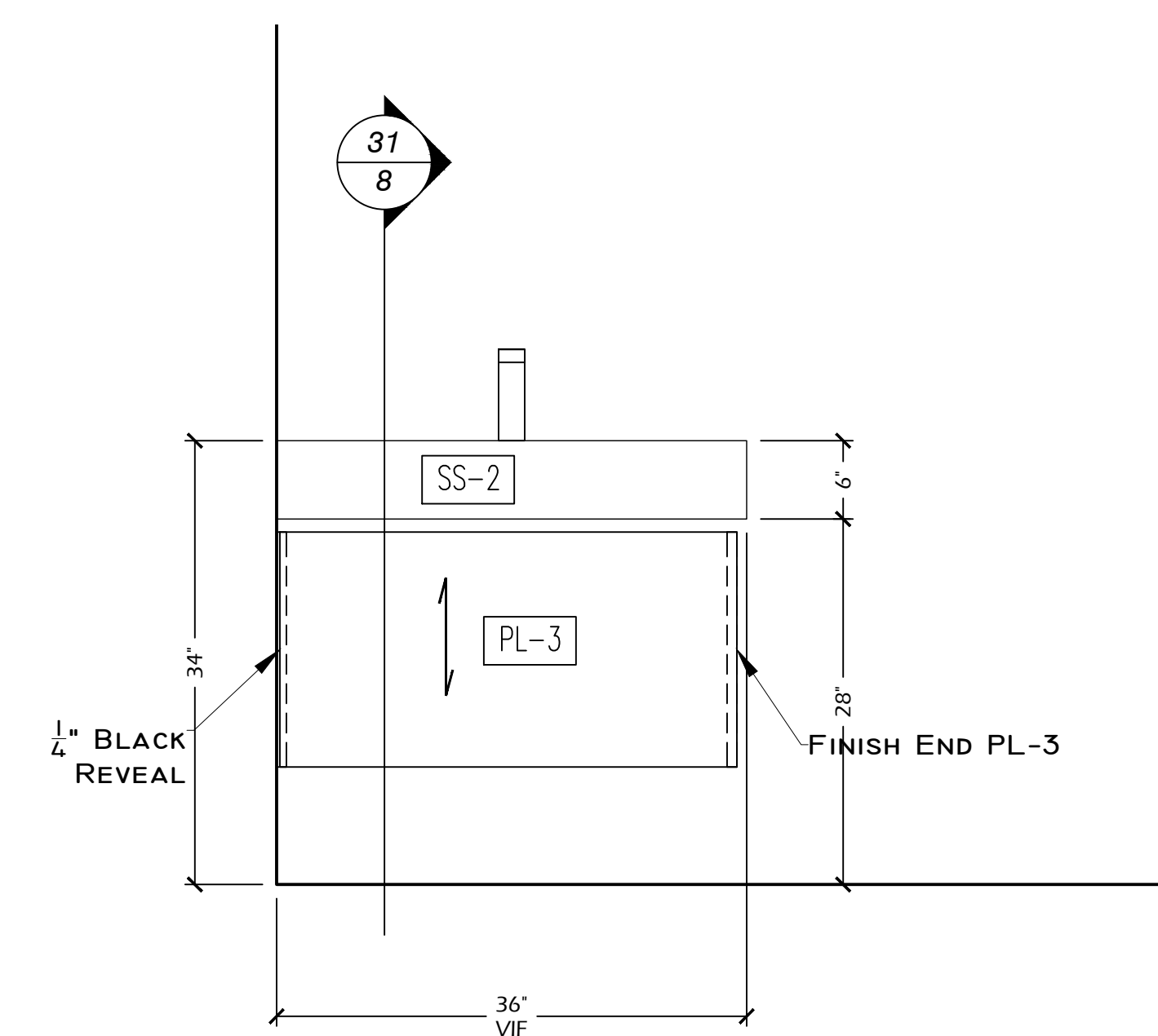
6 Plan Section View @ Unisex Restroom SL-011.6
Scale : 1" = 1'-0"



7 Elevation View @ Men's Room SL-011.3
Scale : 1" = 1'-0"



8 Elevation View @ Women's Room SL-011.2
Scale : 1" = 1'-0"



9 Elevation View @ Unisex Restroom SL-011.6
Scale : 1" = 1'-0"

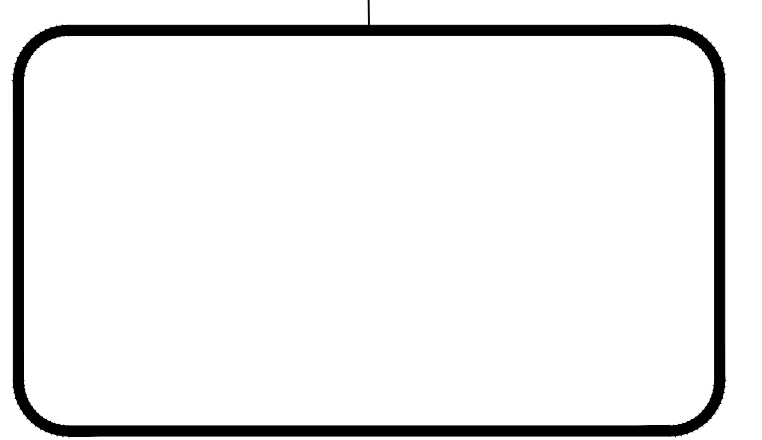
FINISH SCHEDULE

(PL-1) =	Nevamar: 57024G Chalk White Gloss
(PL-2) =	Formica: 8848-58 Blackened Legna Matt
(PL-3) =	LaminArt: #3128-E Oro Noce Vellum Finish
(PL-4) =	Formica: #909-AN Black Infiniti Finish
(SS-1) =	Caesar Stone: 3100 Jet Black Gloss
(SS-2) =	Caesar Stone: 4600 Organic White Gloss
(M-1) =	3/8" White MCP

HARDWARE

(H-1) =	Doug Mockett : DP55E 5/16" Dia. Rod Pull Satin Stainless Steel
(H-2) =	Salice : 200 Series (CZR9A99) 120° European Hinge Self Closing
(H-3) =	
(H-4) =	
(H-5) =	
(H-6) =	
(H-7) =	
(H-8) =	
(H-9) =	
(H-10) =	
(H-11) =	
(H-12) =	

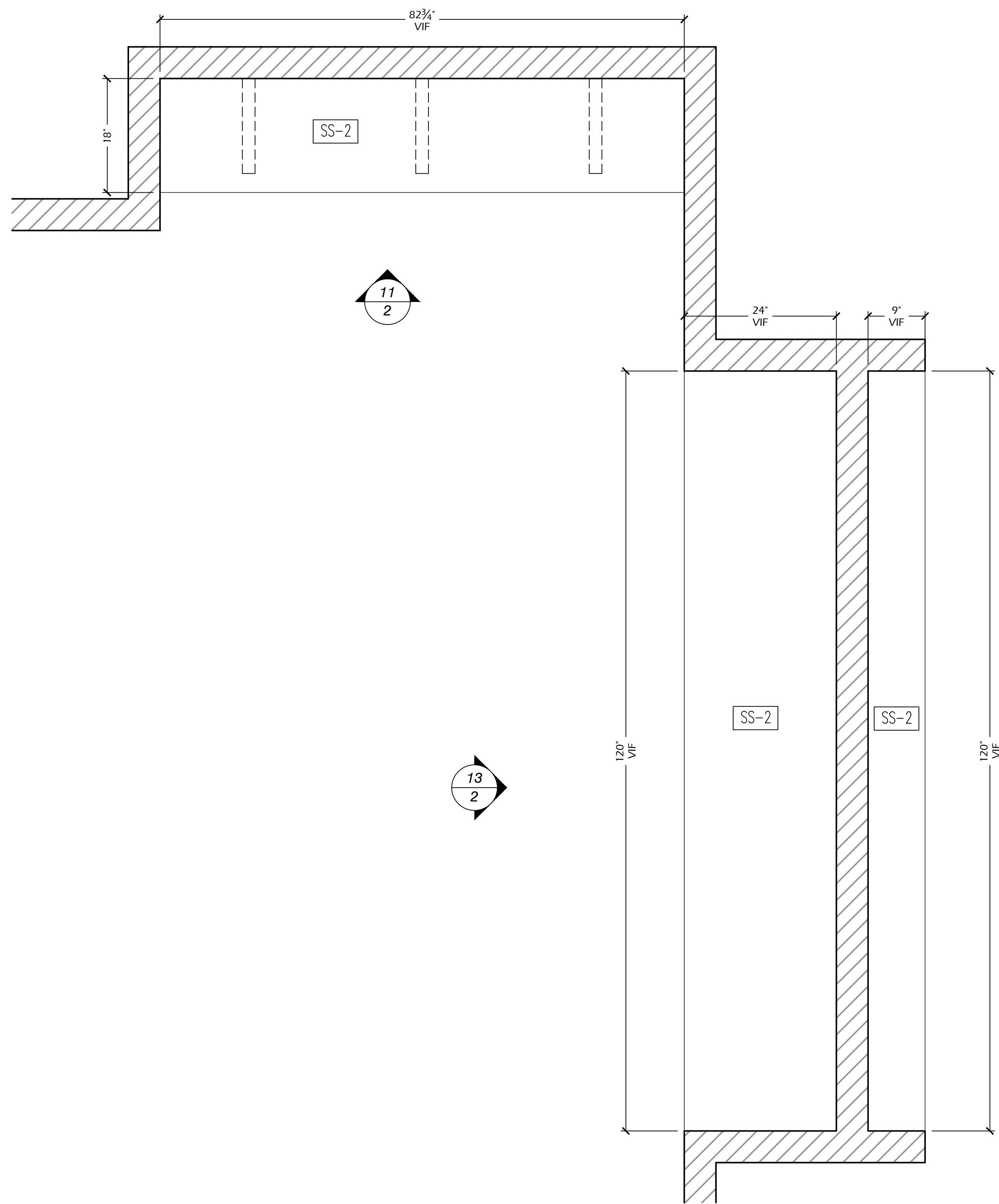
1	Submittal	5/18/2022
No.	Issue/Revision	Date



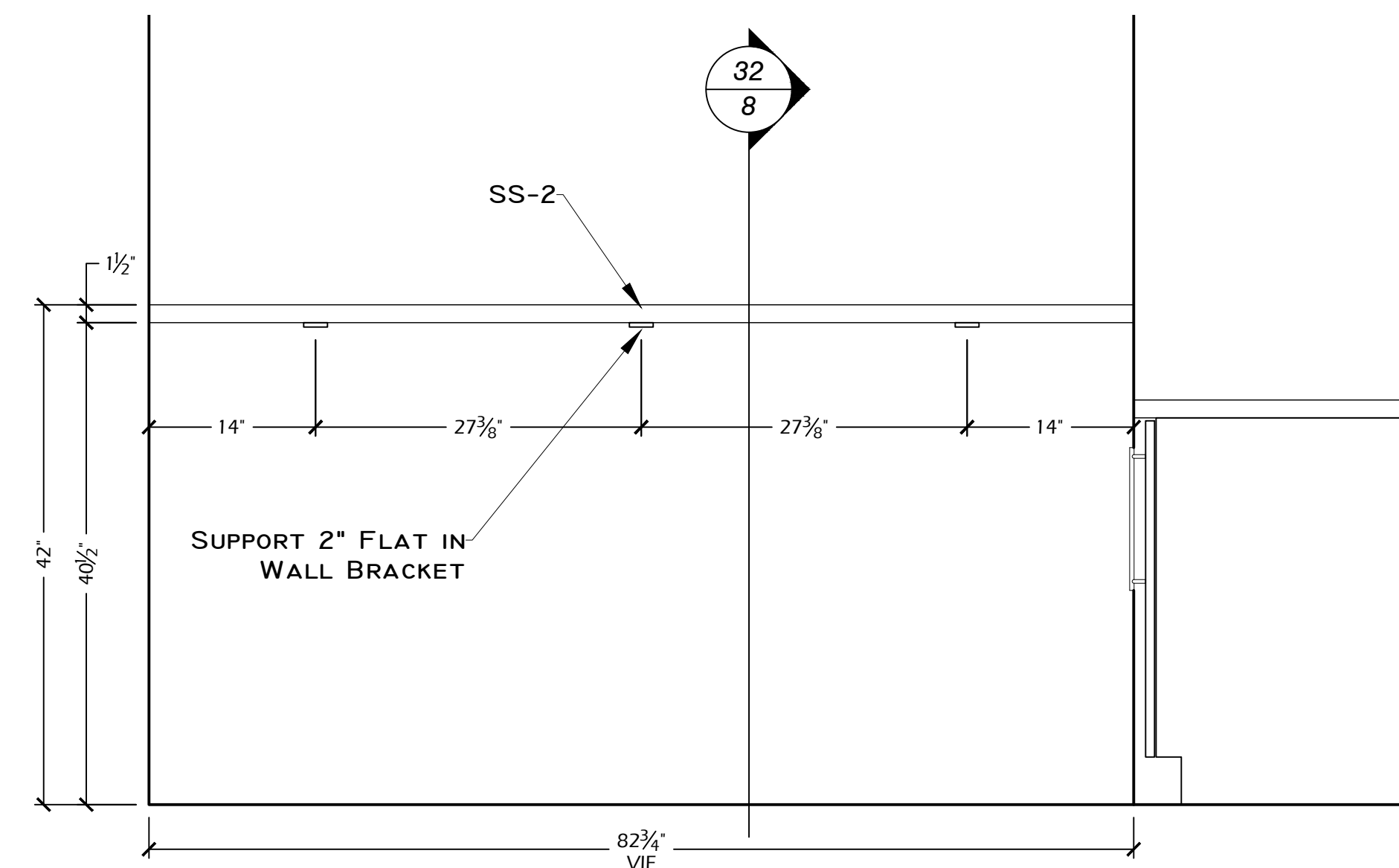
LINCOLN FINANCIAL FIELD

MILLWORK SHOP DRAWINGS

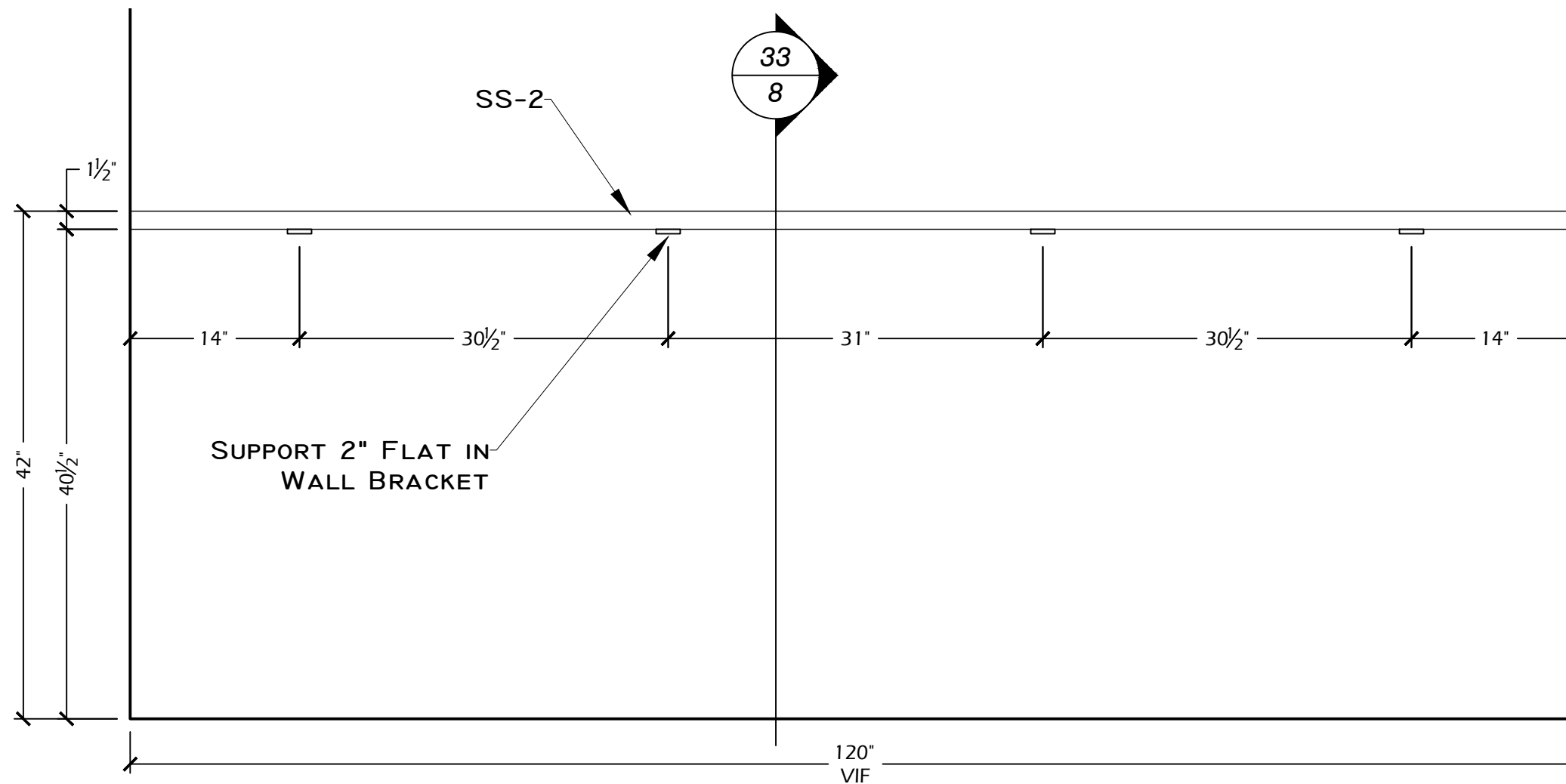
DRAWN BY: WALLY SHUSTER	DRAWING #: 1
DATE: 5/16/2022	
SCALE: AS NOTED	JOB #: 22-0036



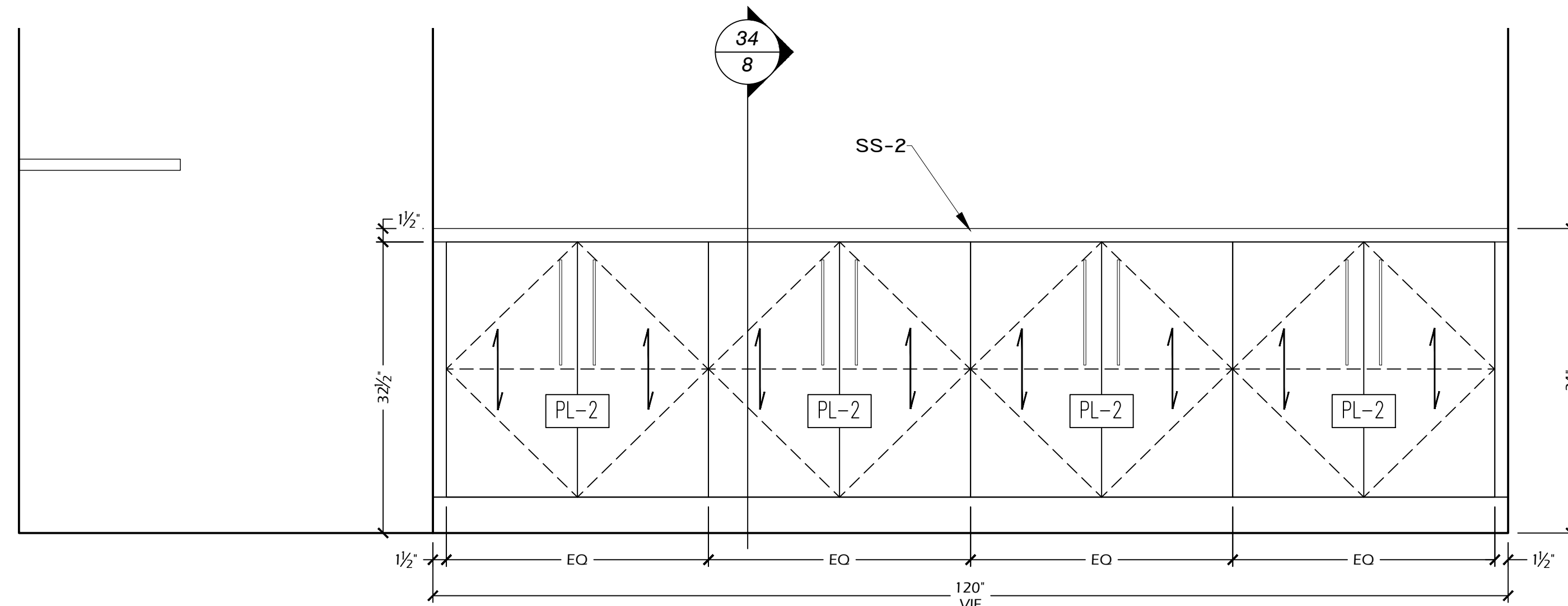
10 Plan View @ VIP Room SL-011.7
Scale: 1" = 1'-0"



11 Elevation View @ VIP Room SL-011.7
Scale: 1" = 1'-0"



12 Elevation View @ VIP Room SL-011.7
Scale: 1" = 1'-0"



13 Elevation View @ VIP Room SL-011.7
Scale: 1" = 1'-0"

FINISH SCHEDULE

(PL-1) =	Nevamar: S7024G Chalk White Gloss
(PL-2) =	Formica: 8848-58 Blackened Legna Matt
(PL-3) =	LaminArt: #3128-E Oro Noce Vellum Finish
(PL-4) =	Formica: #909-AN Black Infiniti Finish
(SS-1) =	Caesar Stone: 3100 Jet Black Gloss
(SS-2) =	Caesar Stone: 4600 Organic White Gloss
(M-1) =	3/8" White MCP

HARDWARE

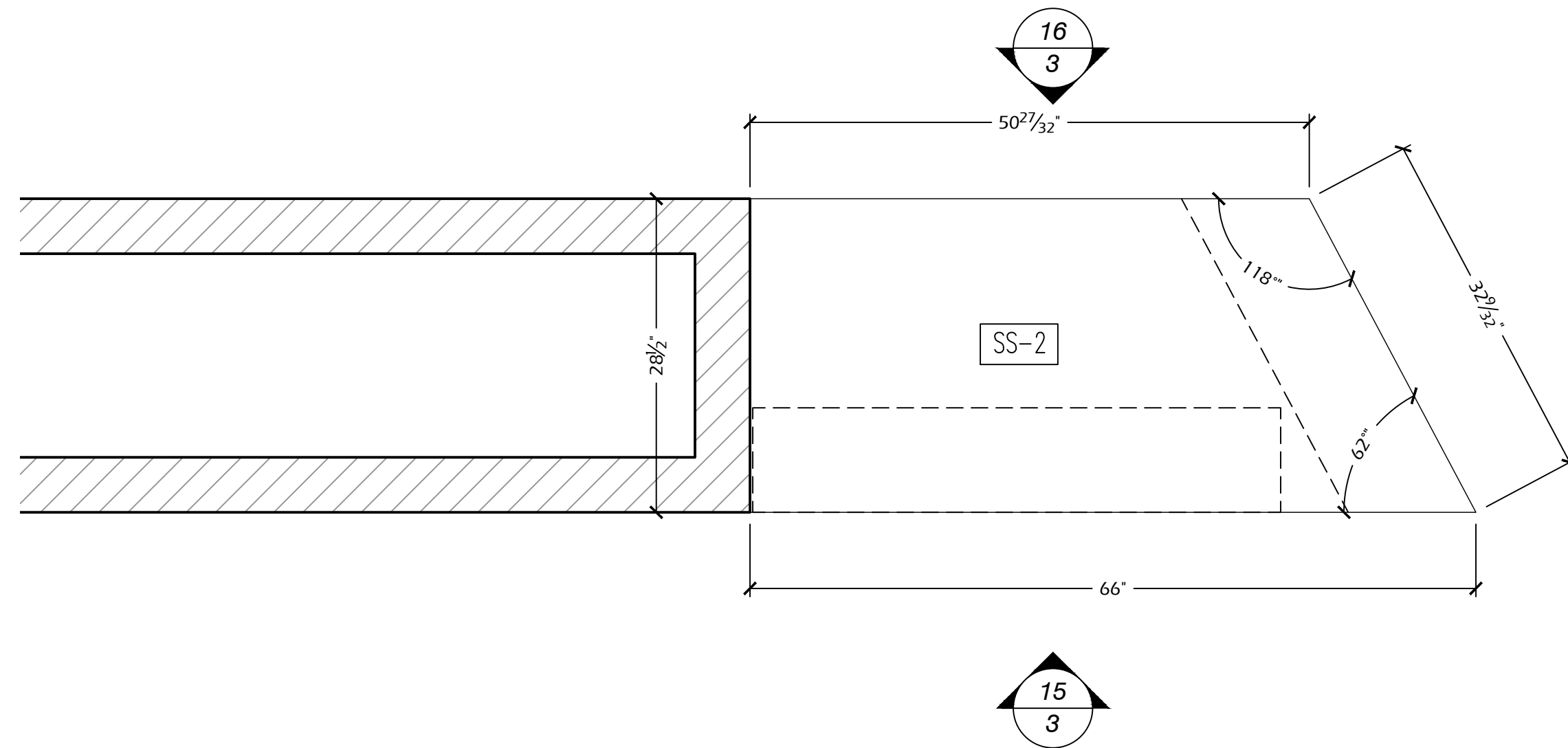
(H-1) =	Doug Mockett : DP55E 5/16" Dia. Rod Pull Satin Stainless Steel
(H-2) =	Salice : 200 Series (CZR9A99) 120" European Hinge Self Closing
(H-3) =	
(H-4) =	
(H-5) =	
(H-6) =	
(H-7) =	
(H-8) =	
(H-9) =	
(H-10) =	
(H-11) =	
(H-12) =	

No.	Issue/Revision	Date
1	Submittal	5/18/2022

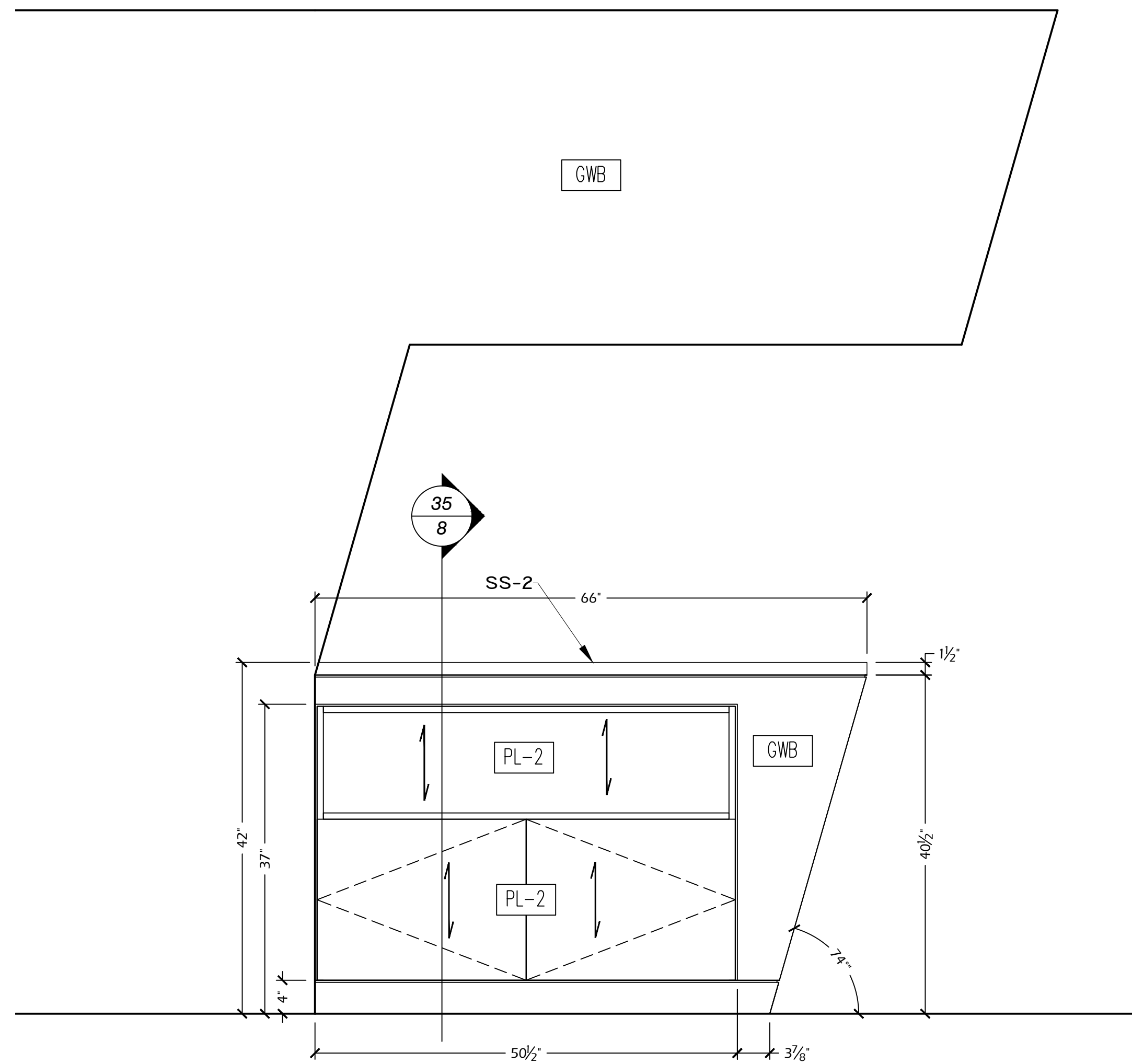
LINCOLN FINANCIAL FIELD

MILLWORK SHOP DRAWINGS

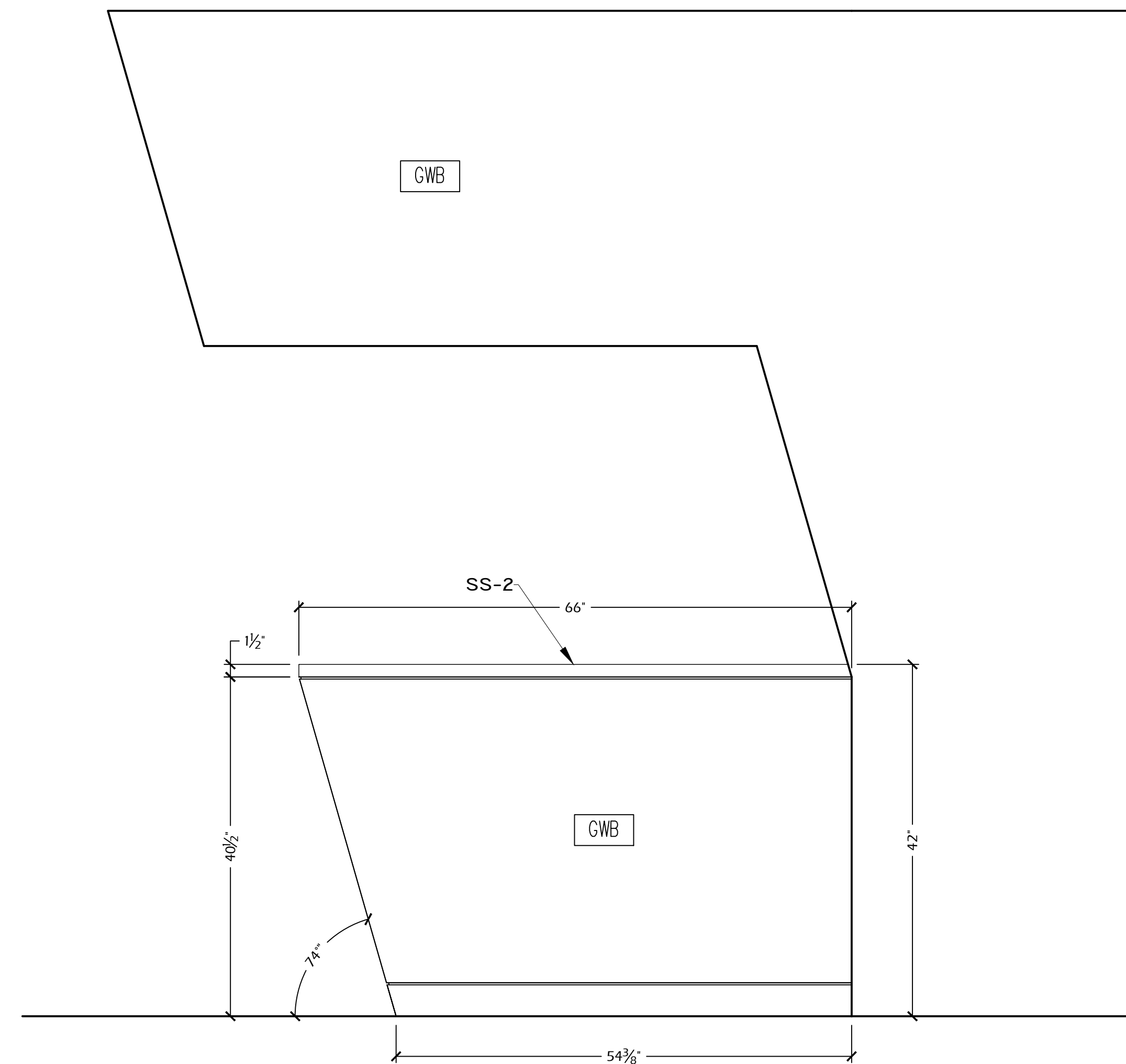
DRAWN BY: WALLY SHUSTER	DRAWING #: 2
DATE: 5/16/2022	
SCALE: AS NOTED	JOB #: 22-0036



14 Plan View @ Vestibule
Scale : 1" = 1'-0"



15 Elevation View @ Vestibule
Scale : 1" = 1'-0"



16 Elevation View @ Vestibule
Scale : 1" = 1'-0"

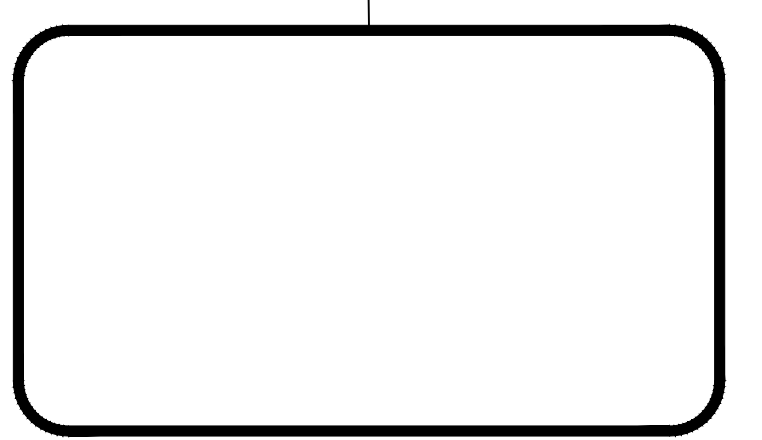
FINISH SCHEDULE

(PL-1) =	Nevamar: 57024G Chalk White Gloss
(PL-2) =	Formica: 8848-58 Blackened Legna Matt
(PL-3) =	LaminArt: #3128-E Oro Noce Vellum Finish
(PL-4) =	Formica: #909-AN Black Infiniti Finish
(SS-1) =	Caesar Stone: 3100 Jet Black Gloss
(SS-2) =	Caesar Stone: 4600 Organic White Gloss
(M-1) =	3/8" White MCP

HARDWARE

(H-1) =	Doug Mockett : DP55E 5/16" Dia. Rod Pull Satin Stainless Steel
(H-2) =	Salice : 200 Series (CZR9A99) 120° European Hinge Self Closing
(H-3) =	
(H-4) =	
(H-5) =	
(H-6) =	
(H-7) =	
(H-8) =	
(H-9) =	
(H-10) =	
(H-11) =	
(H-12) =	

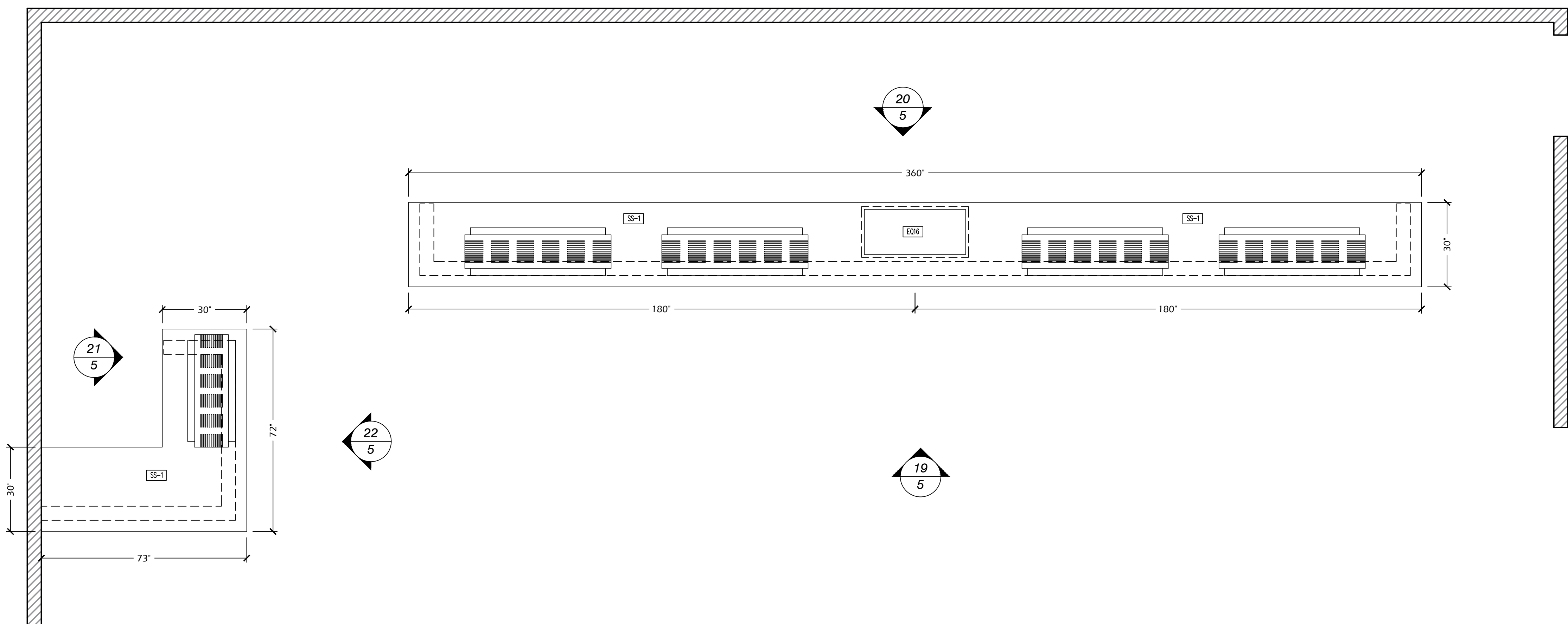
No.	Issue/Revision	Date
1	Submittal	5/18/2022



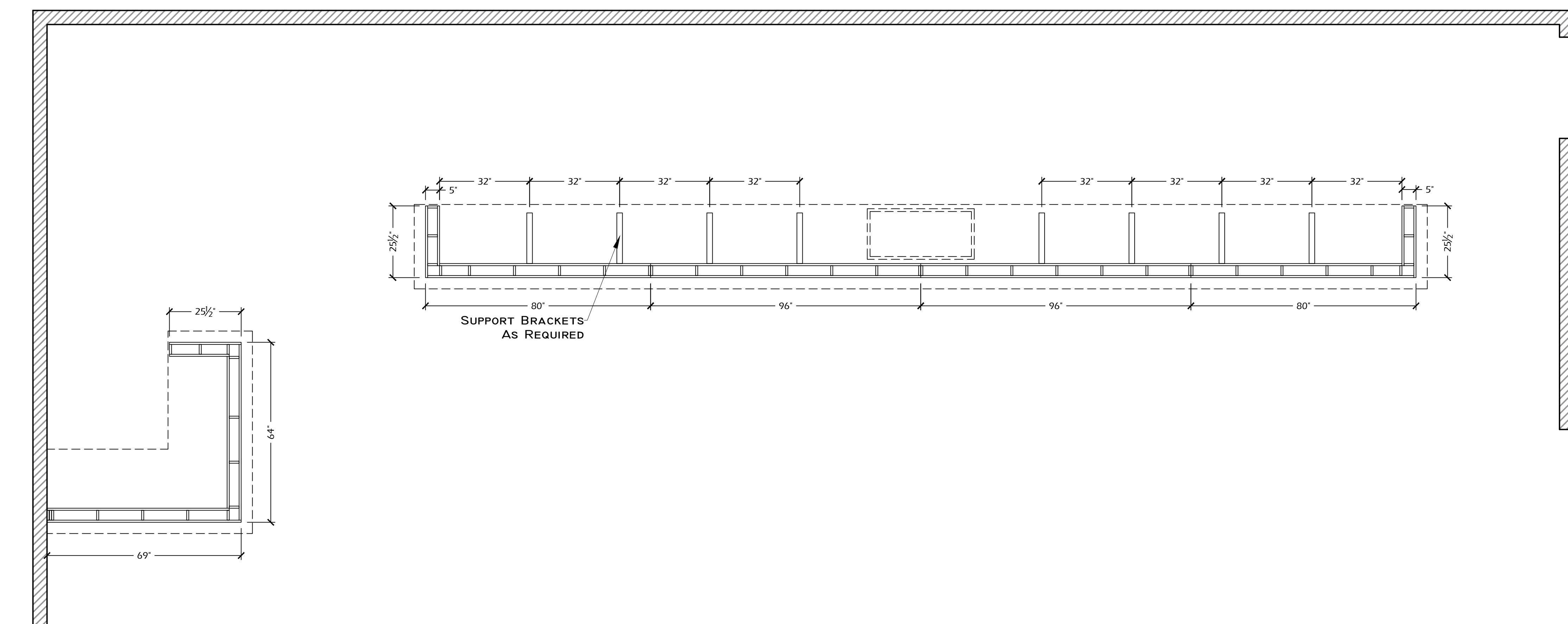
LINCOLN FINANCIAL FIELD

MILLWORK SHOP DRAWINGS

DRAWN BY: WALLY SHUSTER	DRAWING #: 3
DATE: 5/16/2022	
SCALE: AS NOTED	JOB #: 22-0036



17 Plan View @ Buffet
Scale: 1/2" = 1'-0"



18 Plan Section View @ Buffet
Scale: 1/2" = 1'-0"

FINISH SCHEDULE

- (PL-1) = Nevamar: S7024G Chalk White Gloss
- (PL-2) = Formica: 8848-58 Blackened Legna Matt
- (PL-3) = LaminArt: #3128-E Oro Noce Vellum Finish
- (PL-4) = Formica: #909-AN Black Infiniti Finish
- (SS-1) = Caesar Stone: 3100 Jet Black Gloss
- (SS-2) = Caesar Stone: 4600 Organic White Gloss
- (M-1) = 3/4" White MCP

HARDWARE

- (H-1) = Doug Mockett : DP55E 5/16" Dia. Rod Pull Satin Stainless Steel
- (H-2) = Salice : 200 Series (C2R9A99) 120° European Hinge Self Closing
- (H-3) =
- (H-4) =
- (H-5) =
- (H-6) =
- (H-7) =
- (H-8) =
- (H-9) =
- (H-10) =
- (H-11) =
- (H-12) =

No.	Issue/Revision	Date
1	Submittal	5/18/2022

LINCOLN FINANCIAL
FIELD

MILLWORK SHOP DRAWINGS

DRAWN BY: WALLY SHUSTER DATE: 5/16/2022 SCALE: AS NOTED	DRAWING #: 4 JOB #: 22-0036
------------------------------------------------------------------	---------------------------------------------

FINISH SCHEDULE

(PL-1) =	Nevamar: S7024G Chalk White Gloss
(PL-2) =	Formica: 8848-58 Blackened Legna Matt
(PL-3) =	LaminArt: #3128-E Oro Noce Vellum Finish
(PL-4) =	Formica: #909-AN Black Infiniti Finish
(SS-1) =	Caesar Stone: 3100 Jet Black Gloss
(SS-2) =	Caesar Stone: 4600 Organic White Gloss
(M-1) =	$\frac{3}{8}$ " White MCP

HARDWARE

(H-1) =	Doug Mockett : DP55E $\frac{5}{16}$ " Dia. Rod Pull Satin Stainless Steel
(H-2) =	Salice : 200 Series (CZR9A99) 120° European Hinge Self Closing

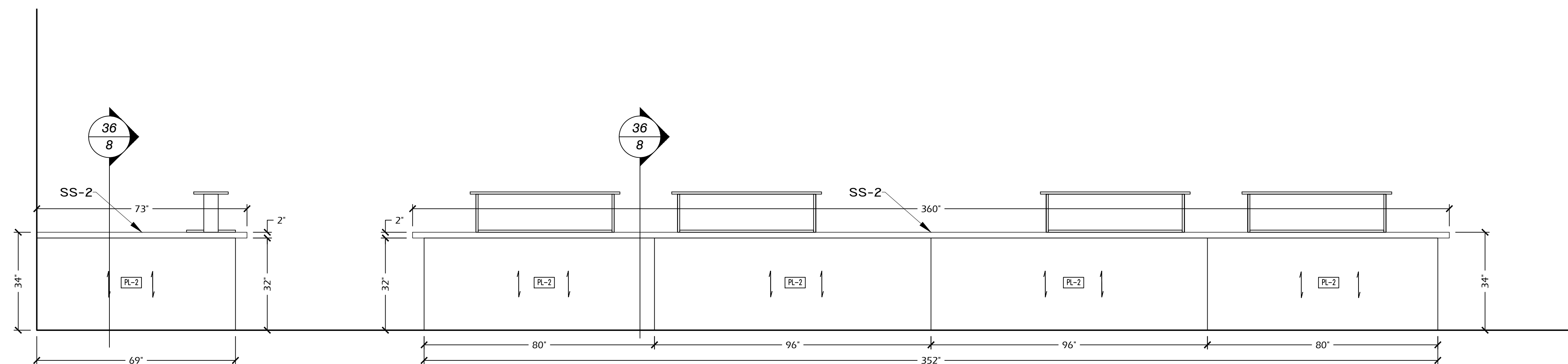
(H-3) =
(H-4) =
(H-5) =
(H-6) =
(H-7) =
(H-8) =
(H-9) =
(H-10) =
(H-11) =
(H-12) =

No.	Issue/Revision	Date
1	Submittal	5/18/2022

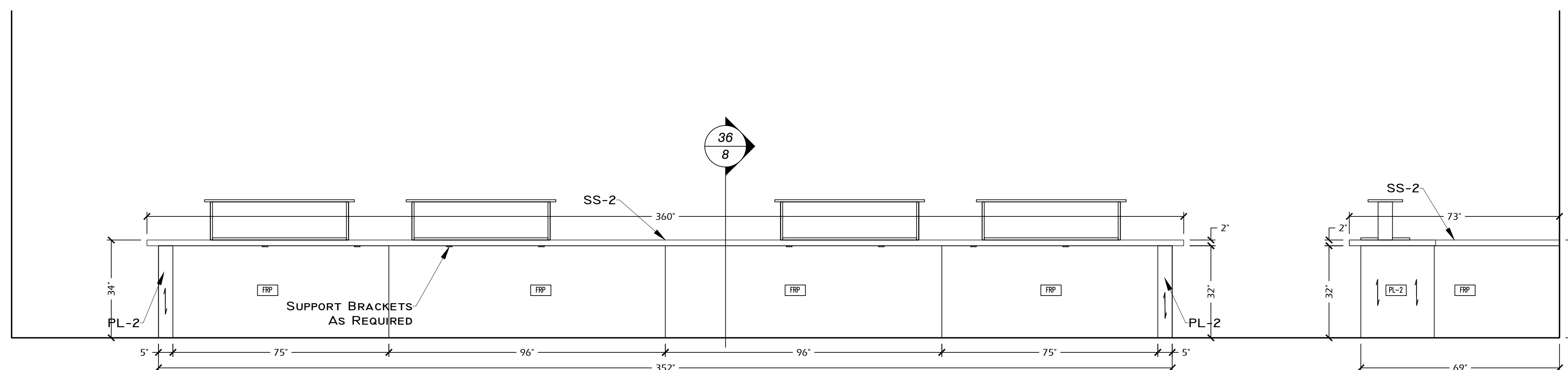
LINCOLN FINANCIAL FIELD

MILLWORK SHOP DRAWINGS

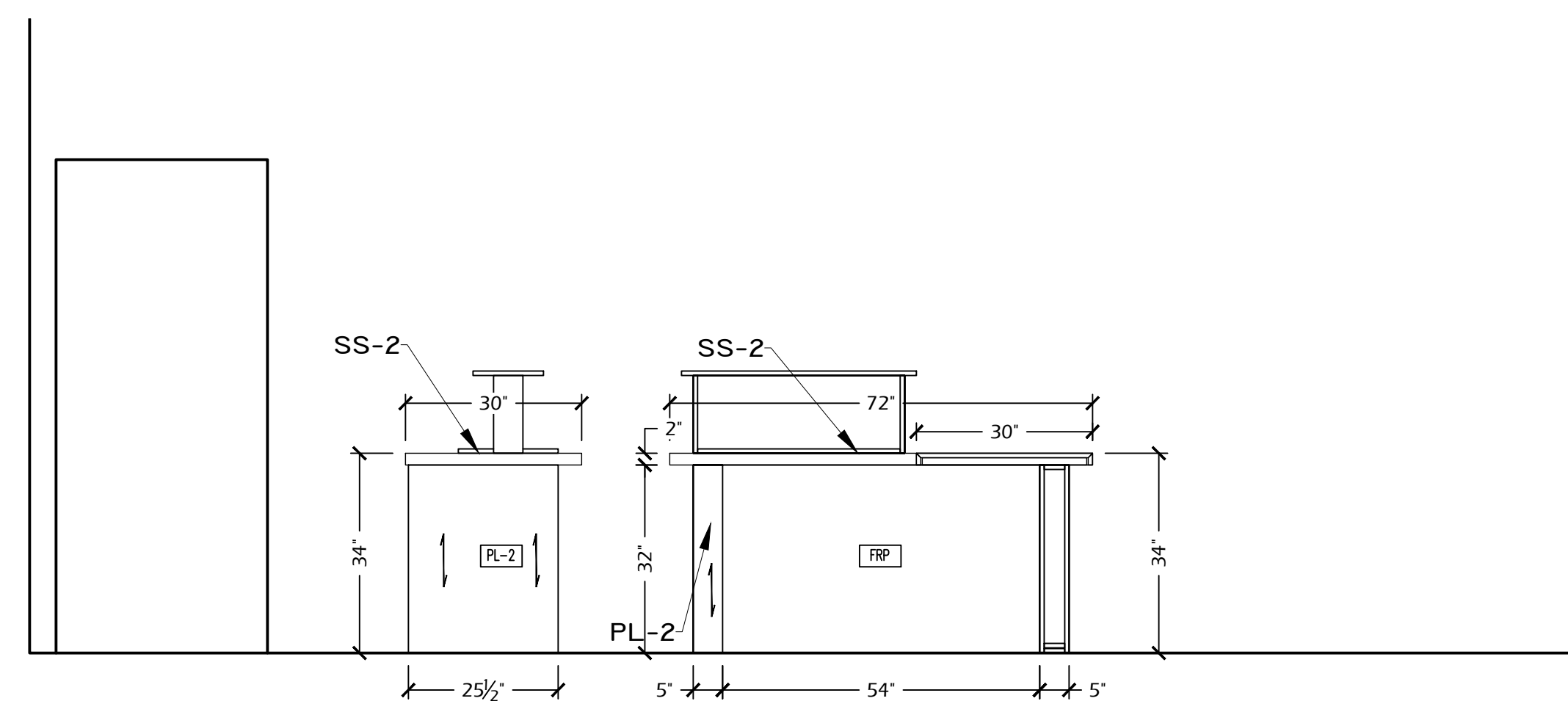
DRAWN BY: WALLY SHUSTER	DRAWING #: 5
DATE: 5/16/2022	
SCALE: AS NOTED	JOB #: 22-0036



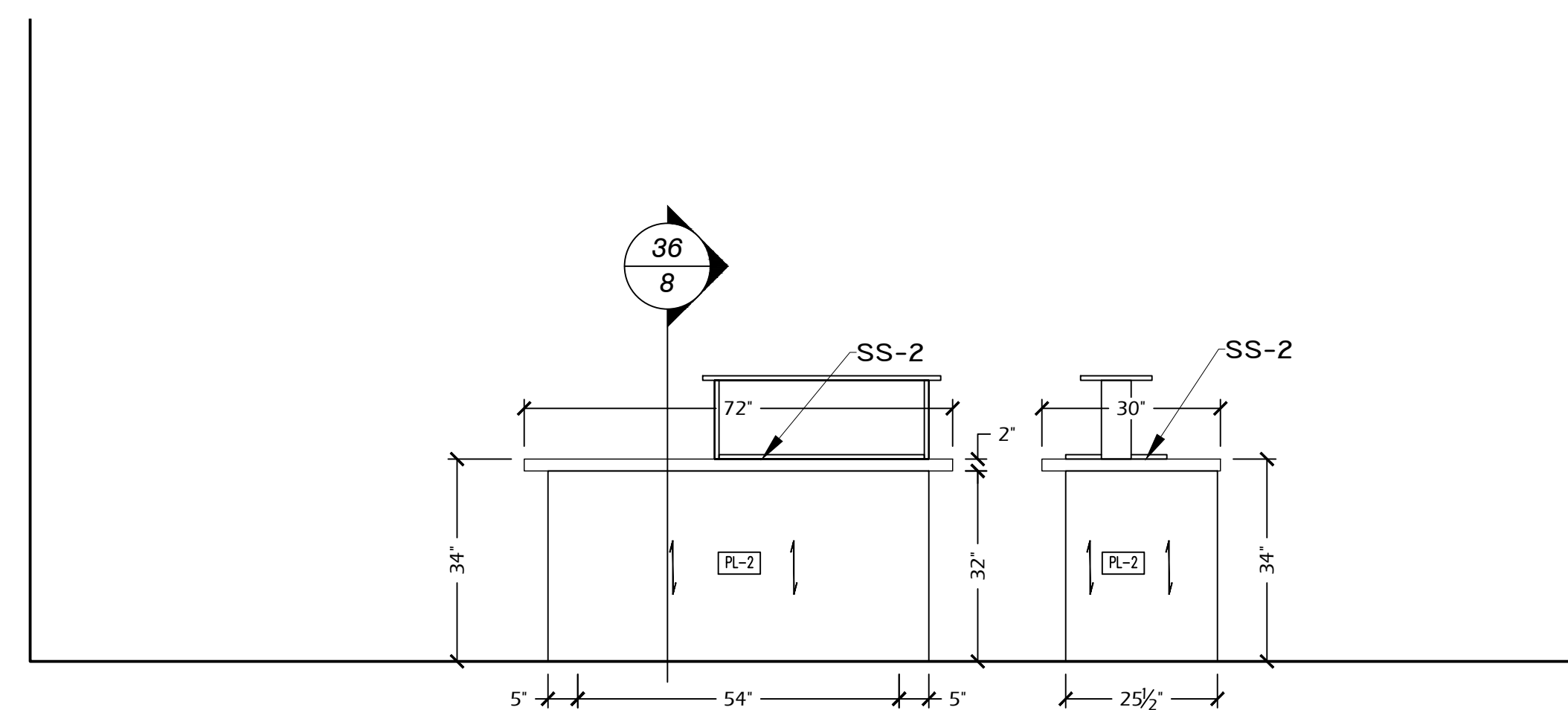
19 Elevation View @ Buffet
Scale : 1/2" = 1'-0"



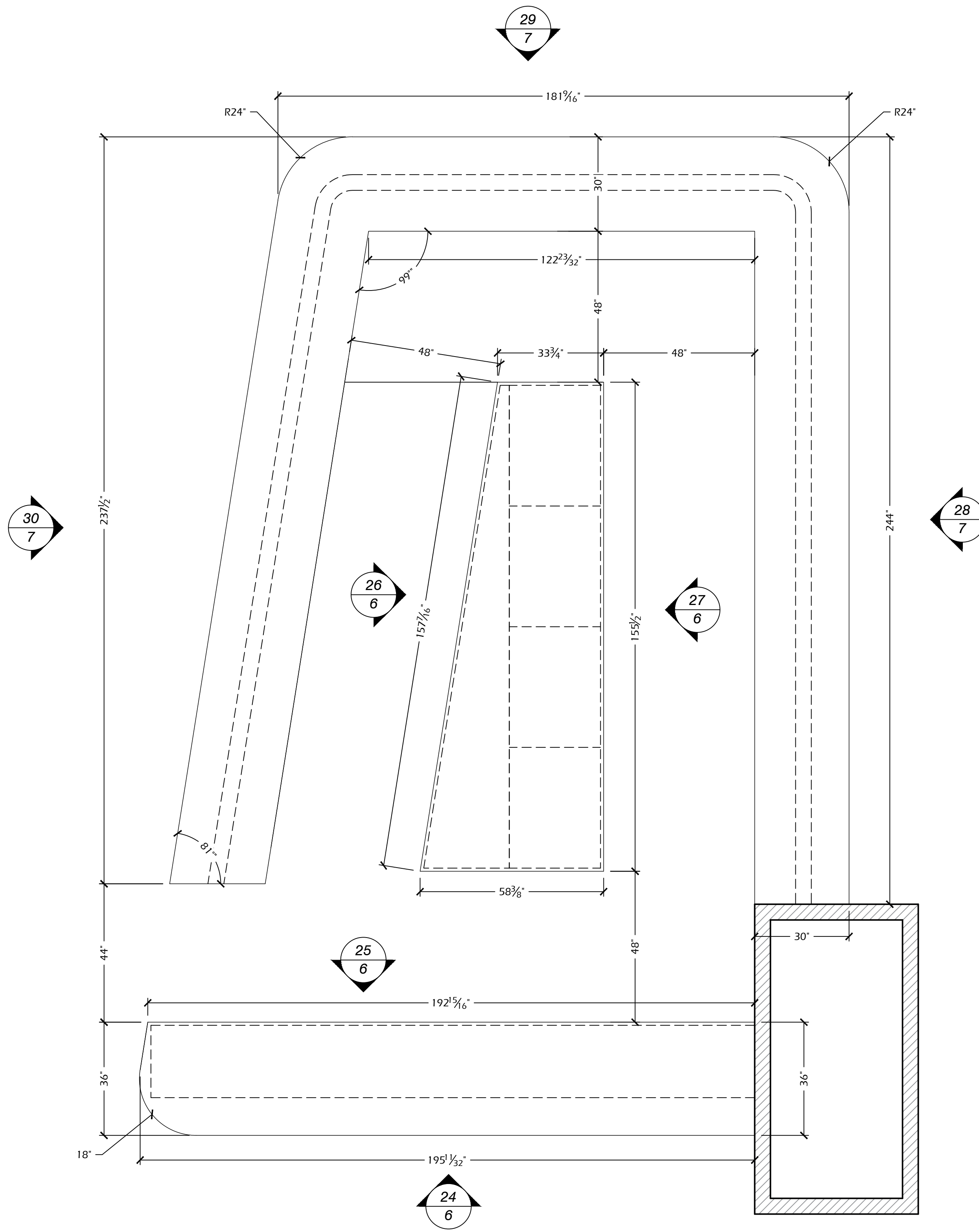
20 Elevation View @ Buffet
Scale : 1/2" = 1'-0"



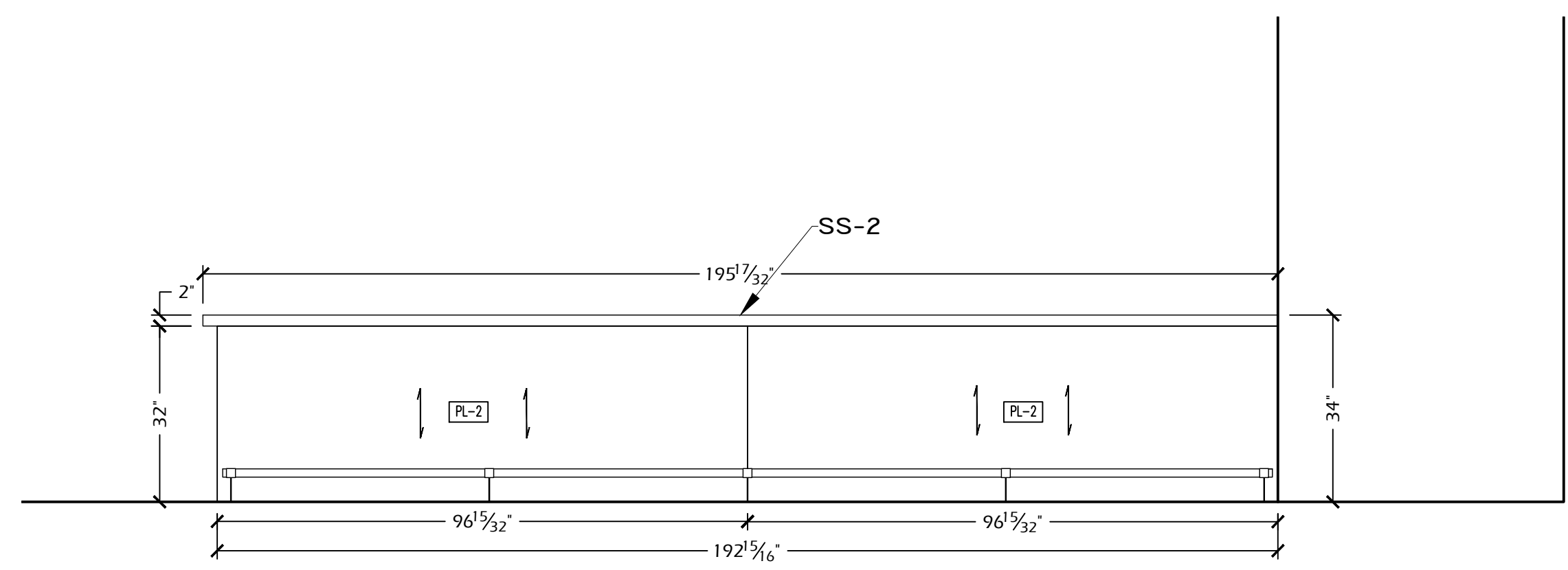
21 Elevation View @ Buffet
Scale : 1/2" = 1'-0"



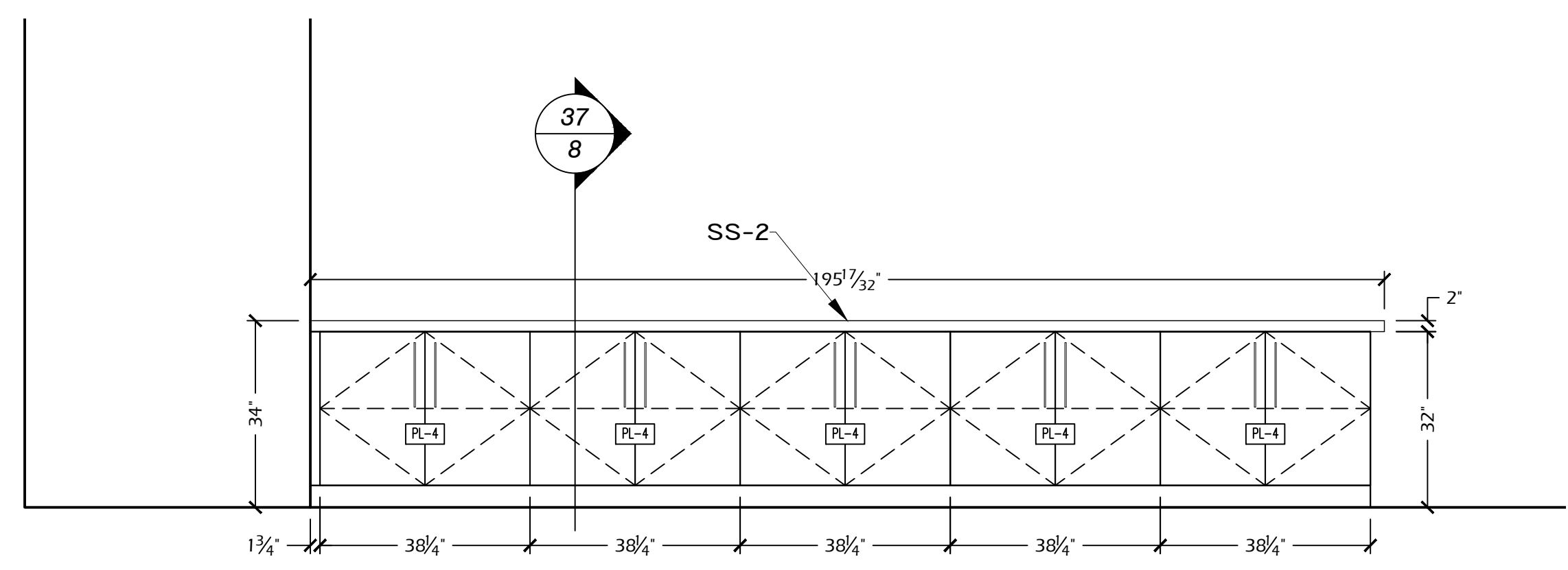
22 Elevation View @ Buffet
Scale : 1/2" = 1'-0"



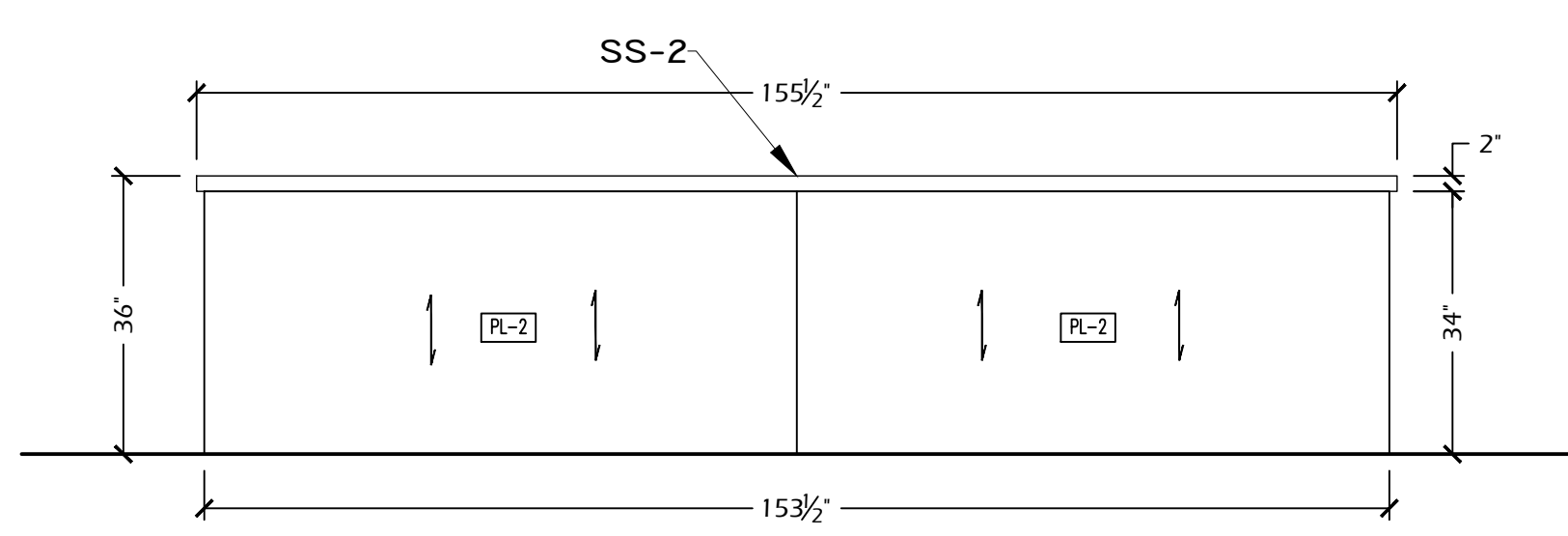
23 Plan View @ Service Bar
Scale : 1/2" = 1'-0"



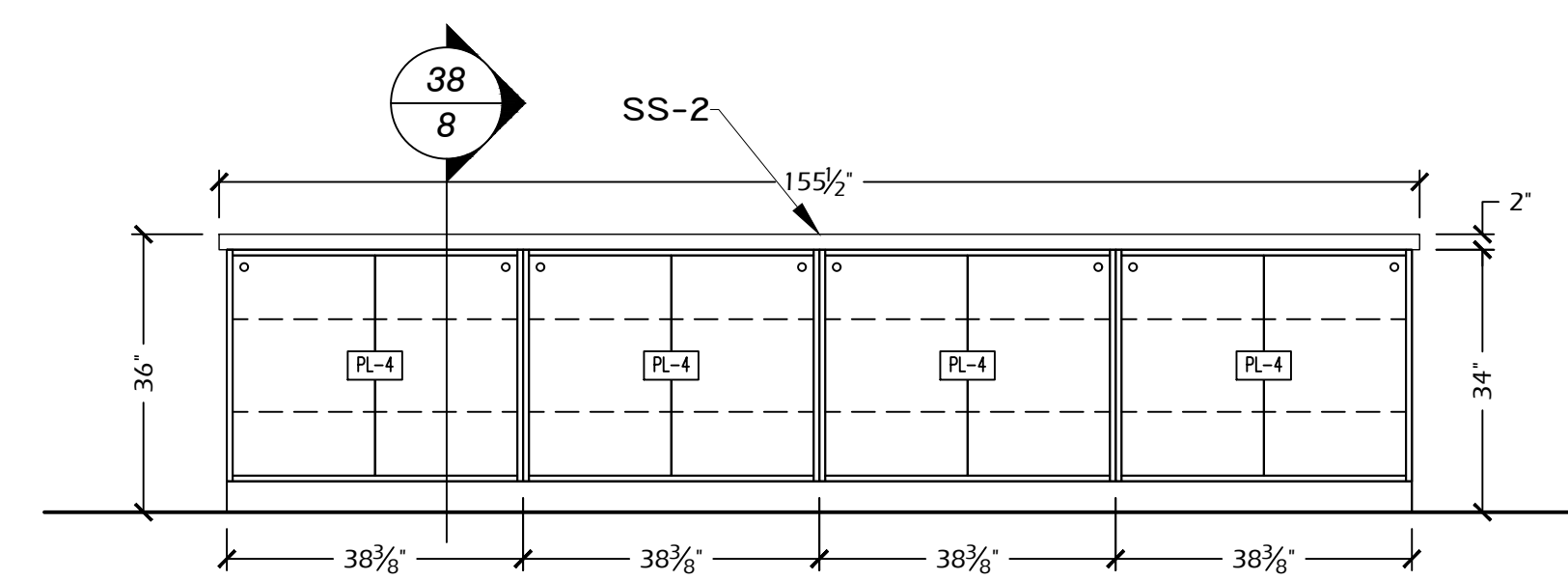
24 Elevation View @ Service Bar
Scale : 1/2" = 1'-0"



25 Elevation View @ Service Bar
Scale : 1/2" = 1'-0"



26 Elevation View @ Service Bar
Scale : 1/2" = 1'-0"



27 Elevation View @ Service Bar
Scale : 1/2" = 1'-0"

FINISH SCHEDULE

(PL-1) =	Nevamar: S7024G Chalk White Gloss
(PL-2) =	Formica: 8848-58 Blackened Legna Matt
(PL-3) =	LaminArt: #3128-E Oro Noce Vellum Finish
(PL-4) =	Formica: #909-AN Black Infinity Finish
(SS-1) =	Caesar Stone: 3100 Jet Black Gloss
(SS-2) =	Caesar Stone: 4600 Organic White Gloss
(M-1) =	3/8" White MCP

HARDWARE

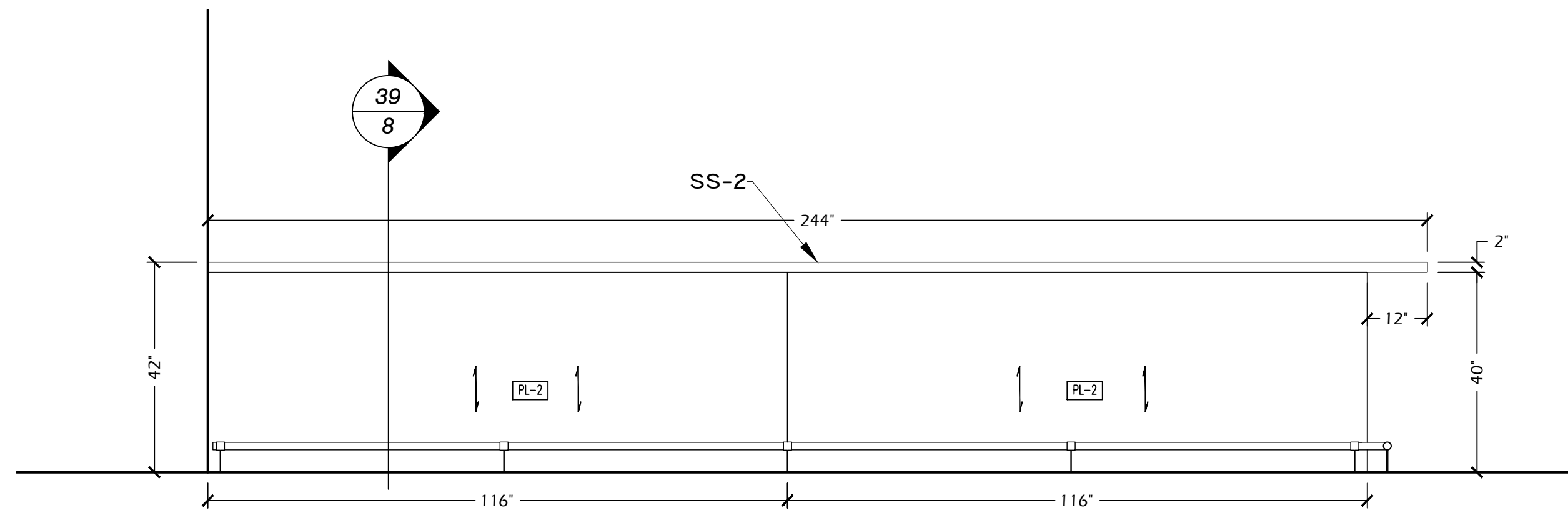
(H-1) =	Doug Mockett : DP55E 5/16" Dia. Rod Pull Satin Stainless Steel
(H-2) =	Salice : 200 Series (CZR9A99) 120° European Hinge Self Closing
(H-3) =	
(H-4) =	
(H-5) =	
(H-6) =	
(H-7) =	
(H-8) =	
(H-9) =	
(H-10) =	
(H-11) =	
(H-12) =	

No.	Issue/Revision	Date
1	Submittal	5/18/2022

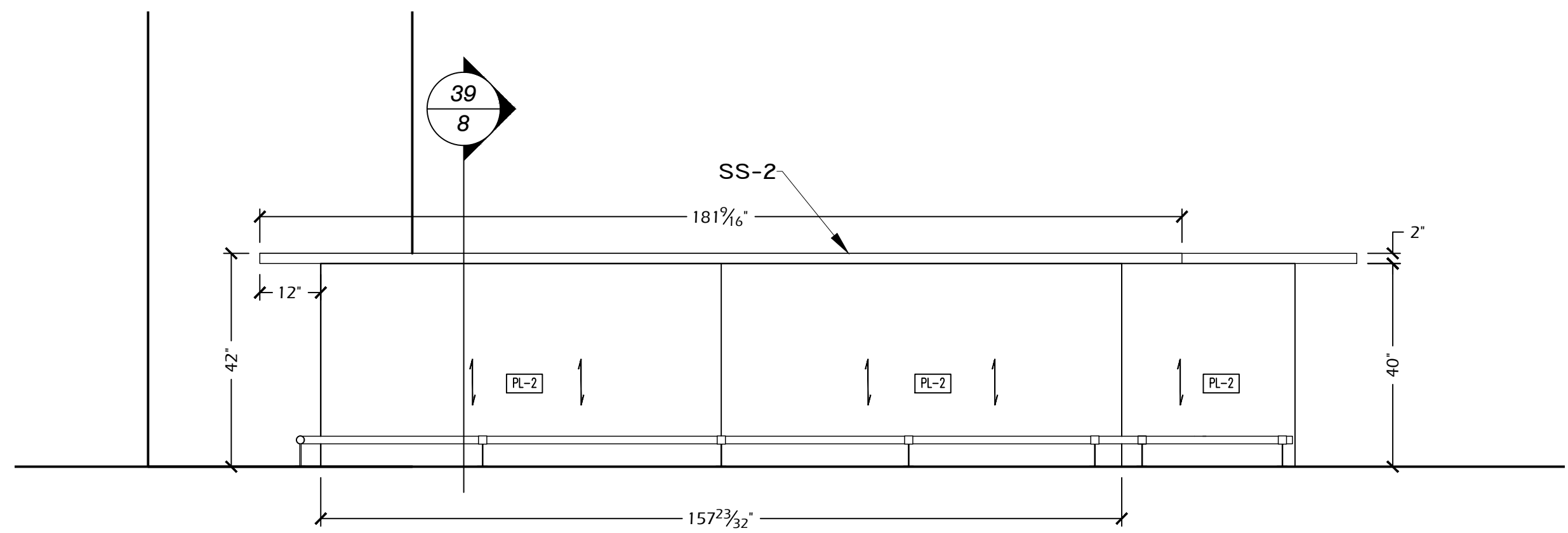
LINCOLN FINANCIAL FIELD

MILLWORK SHOP DRAWINGS

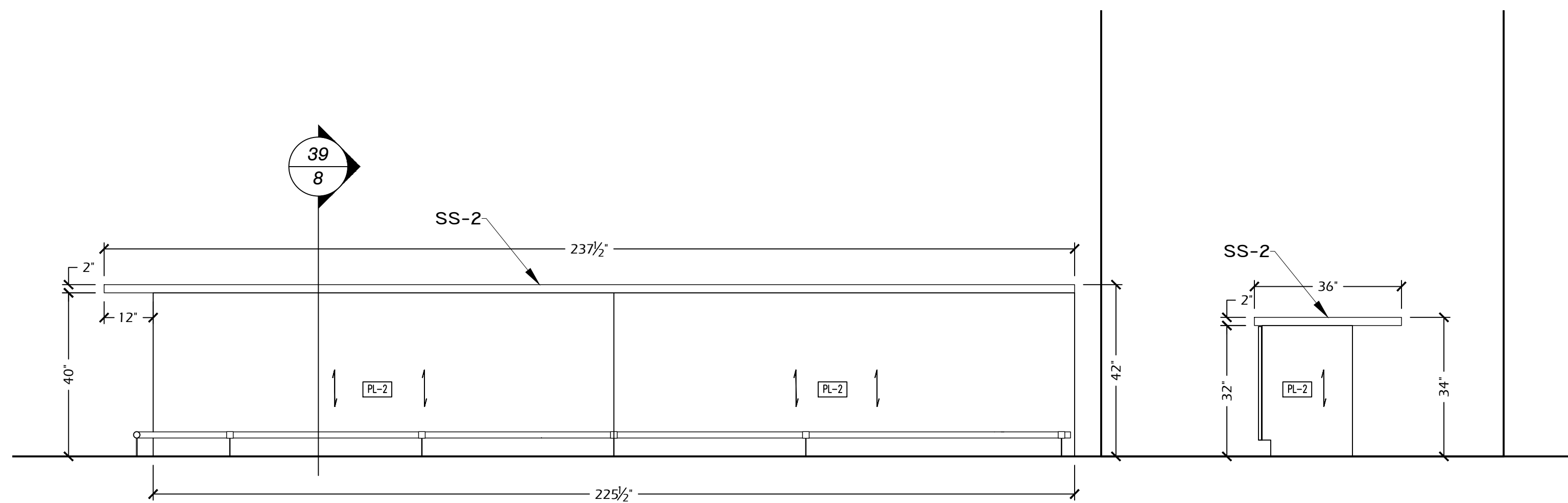
DRAWN BY: WALLY SHUSTER	DRAWING #: 6
DATE: 5/16/2022	JOB #: 22-0036
SCALE: AS NOTED	



28 Elevation View @ Service Bar
Scale : 1/2" = 1'-0"



29 Elevation View @ Service Bar
Scale : 1/2" = 1'-0"



30 Elevation View @ Service Bar
Scale : 1/2" = 1'-0"

FINISH SCHEDULE

- (PL-1) = Nevamar: S7024G Chalk White Gloss
- (PL-2) = Formica: 8848-58 Blackened Legna Matt
- (PL-3) = LaminArt: #3128-E Oro Noce Vellum Finish
- (PL-4) = Formica: #909-AN Black Infiniti Finish
- (SS-1) = Caesar Stone: 3100 Jet Black Gloss
- (SS-2) = Caesar Stone: 4600 Organic White Gloss
- (M-1) = 3/8" White MCP

HARDWARE

- (H-1) = Doug Mockett : DP55E 5/16" Dia. Rod Pull Satin Stainless Steel
- (H-2) = Salice : 200 Series (CZR9A99) 120° European Hinge Self Closing
- (H-3) =
- (H-4) =
- (H-5) =
- (H-6) =
- (H-7) =
- (H-8) =
- (H-9) =
- (H-10) =
- (H-11) =
- (H-12) =

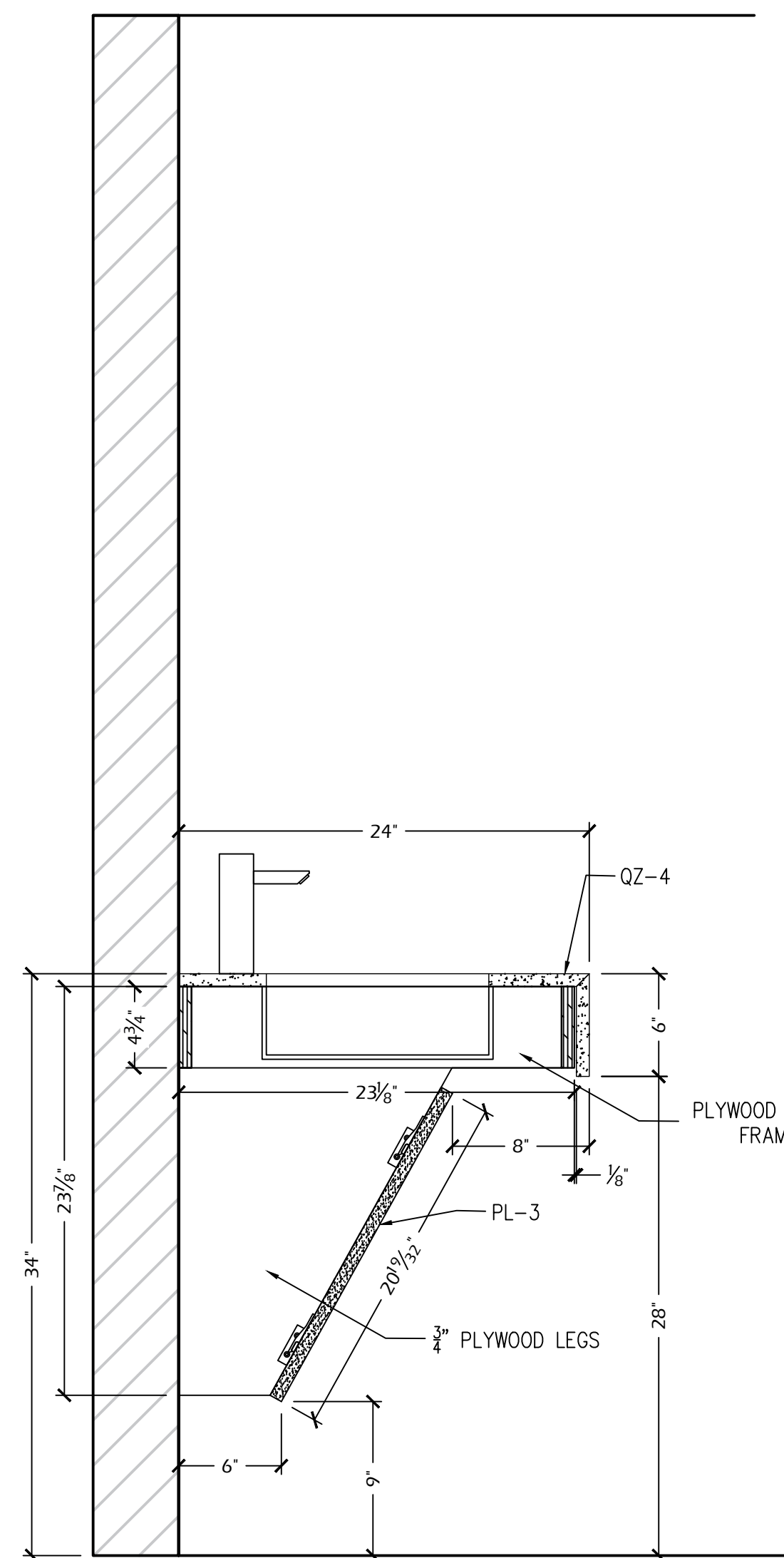
No.	Issue/Revision	Date
1	Submittal	5/18/2022



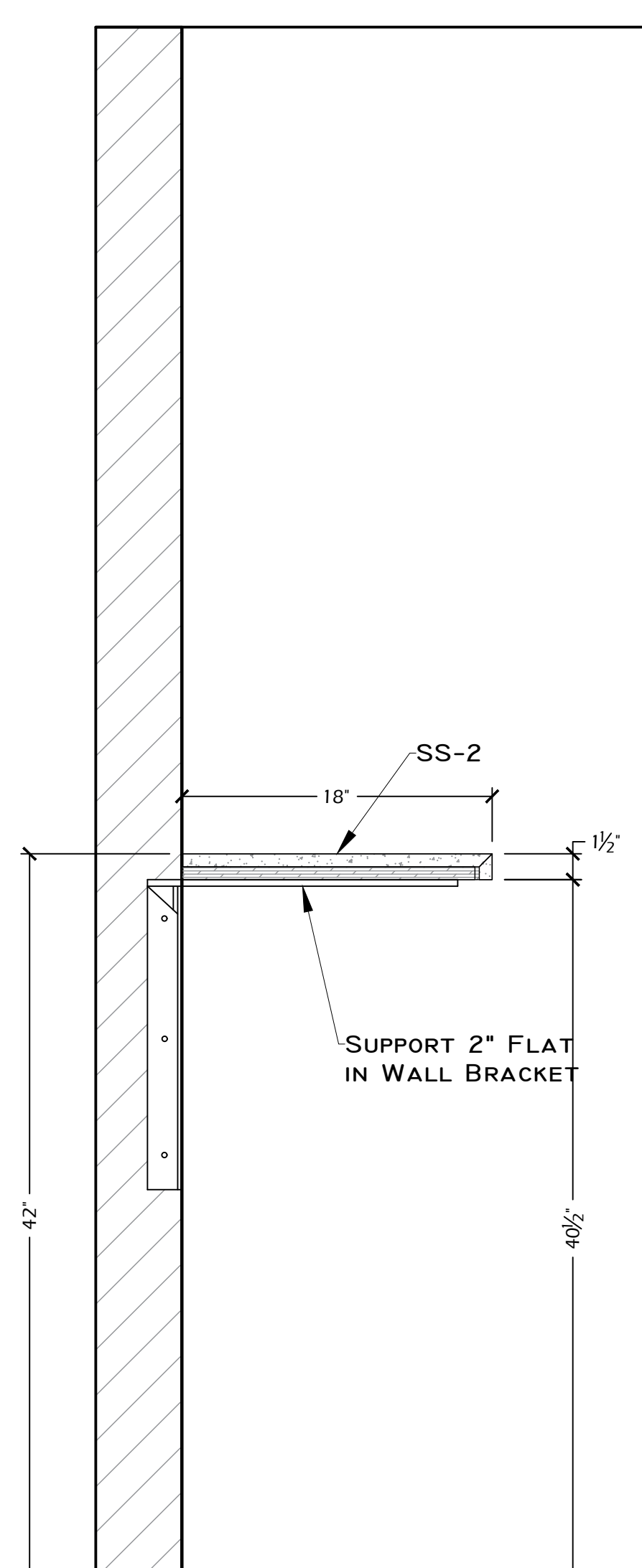
LINCOLN FINANCIAL
FIELD

MILLWORK SHOP DRAWINGS

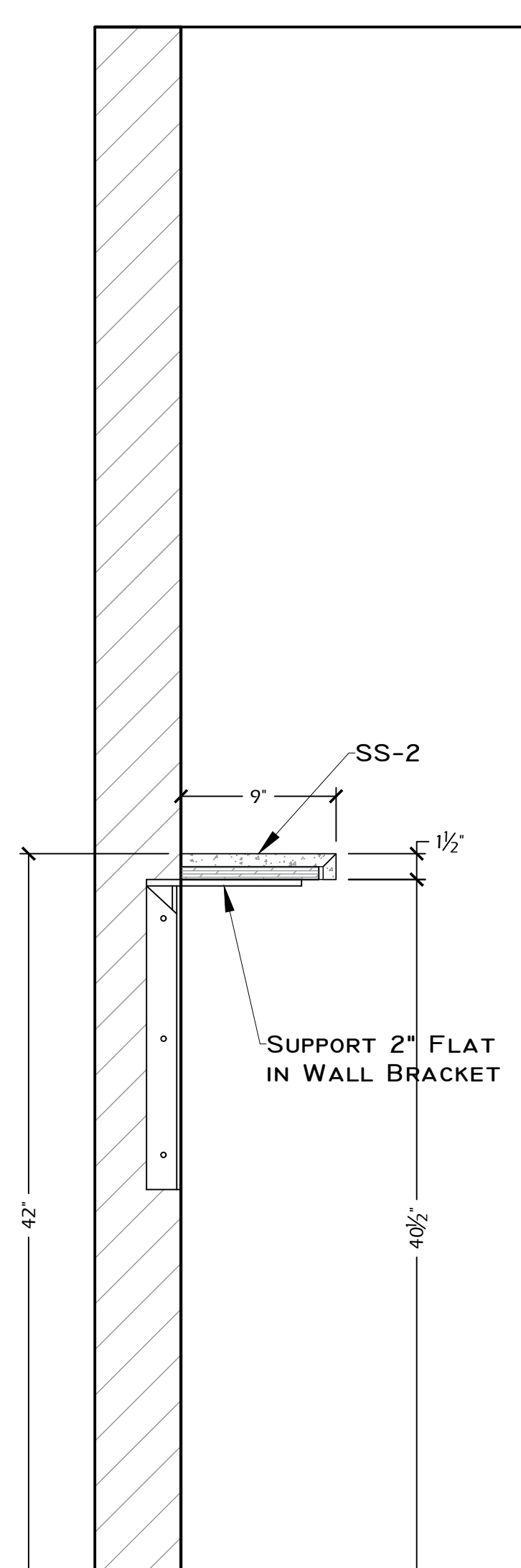
DRAWN BY: WALLY SHUSTER	DRAWING #: 7
DATE: 5/16/2022	
SCALE: AS NOTED	JOB #: 22-0036



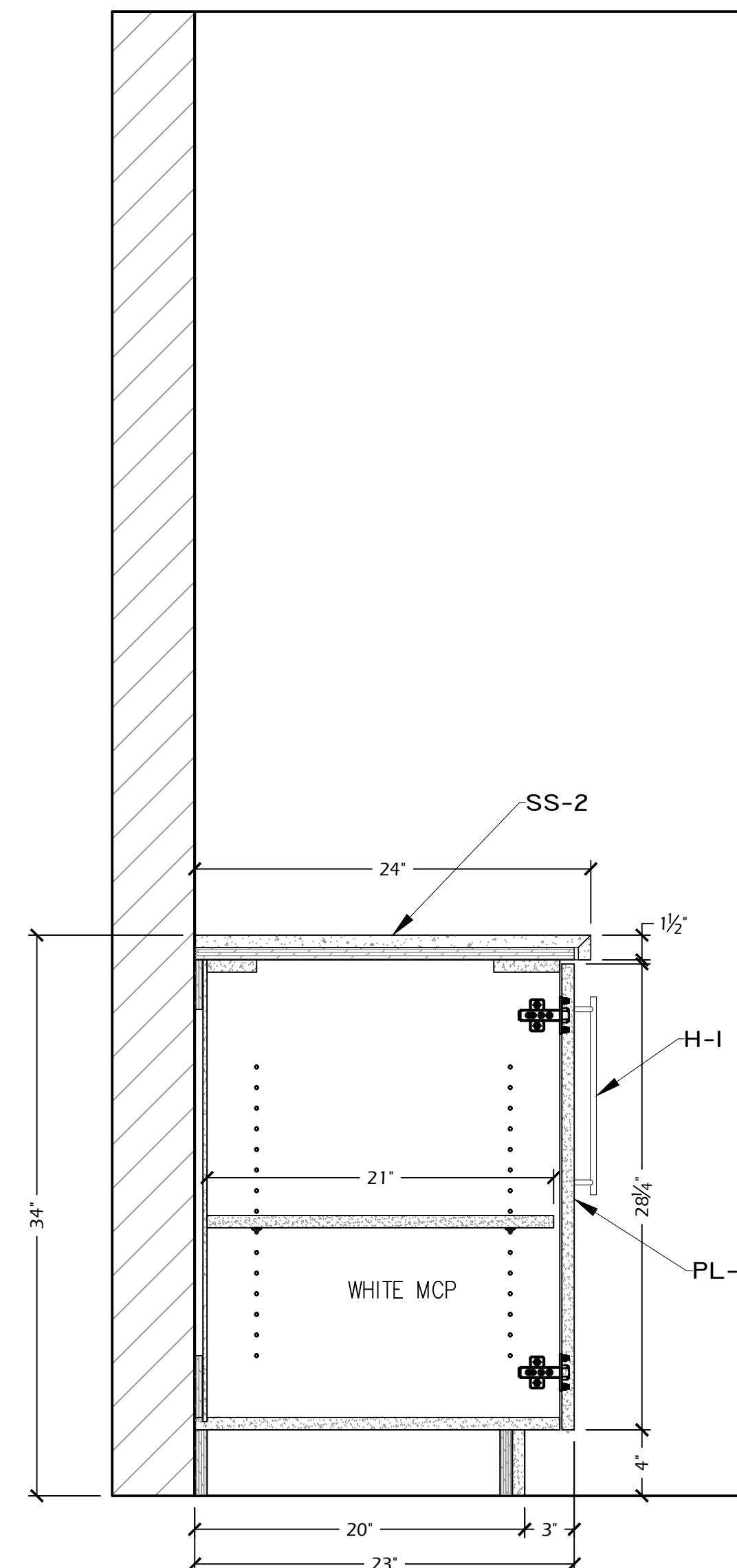
31 Section View
Scale : 1 1/2" = 1'-0"



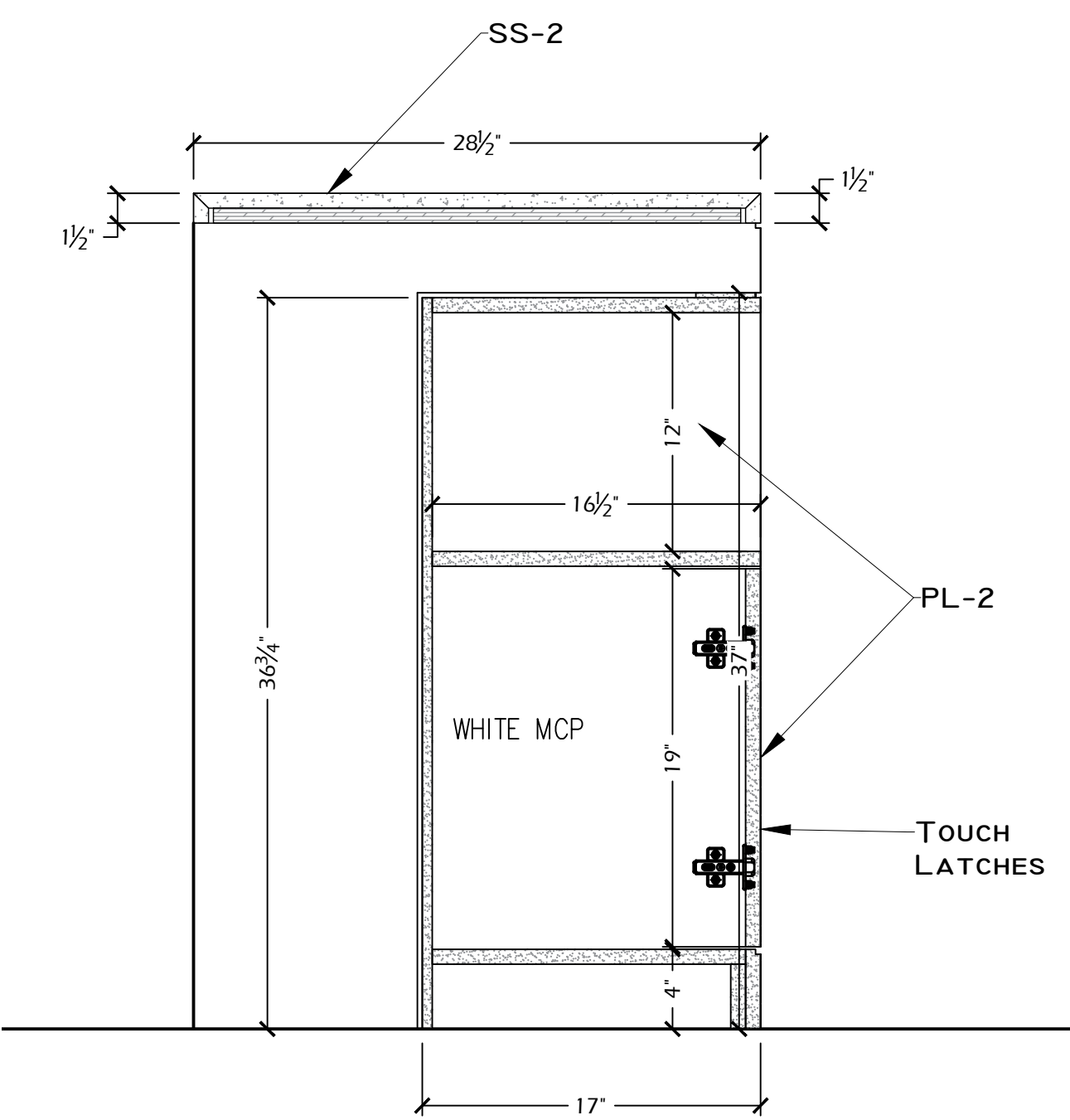
32 Section View
Scale : 1 1/2" = 1'-0"



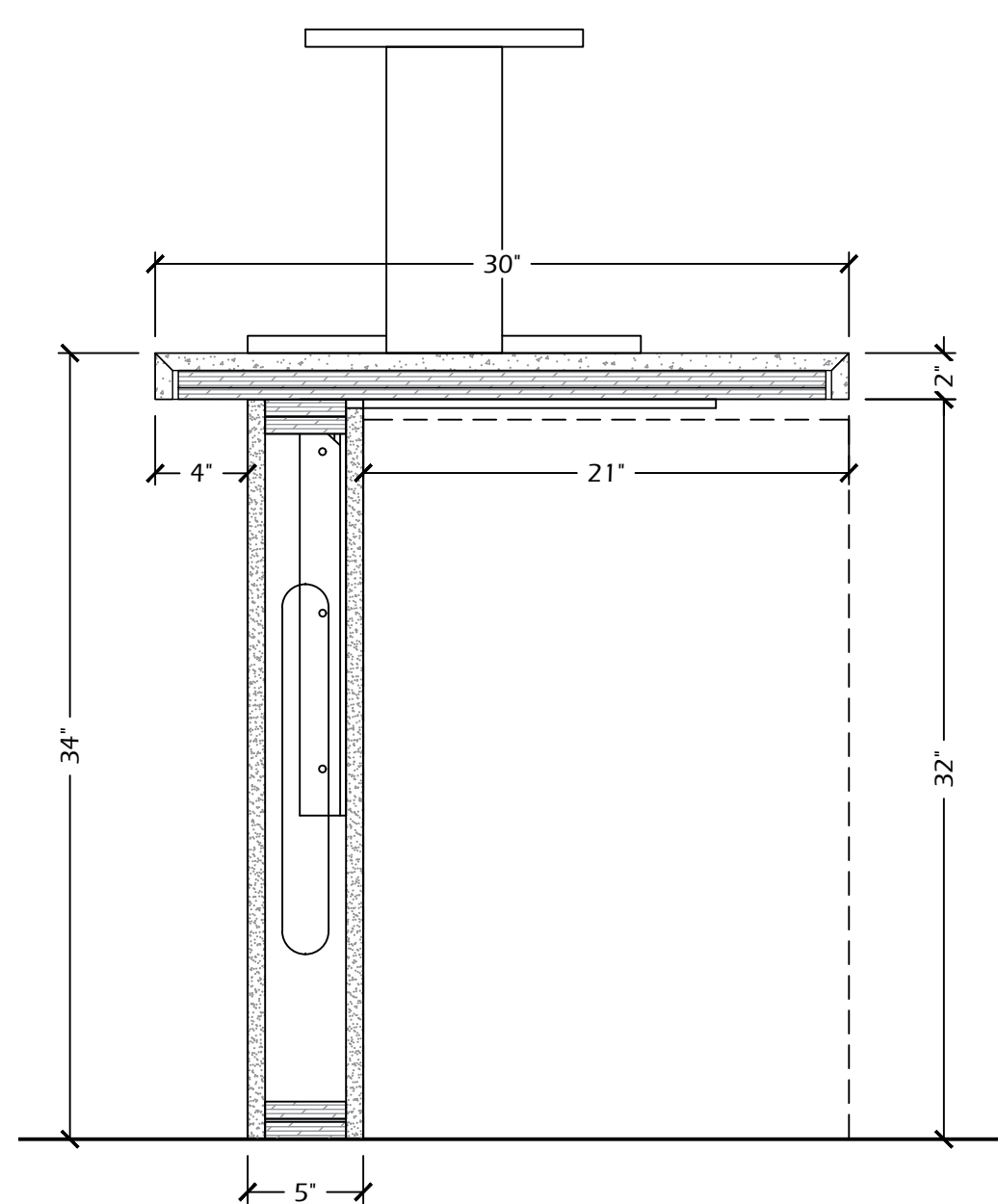
33 Section View
Scale : 1 1/2" = 1'-0"



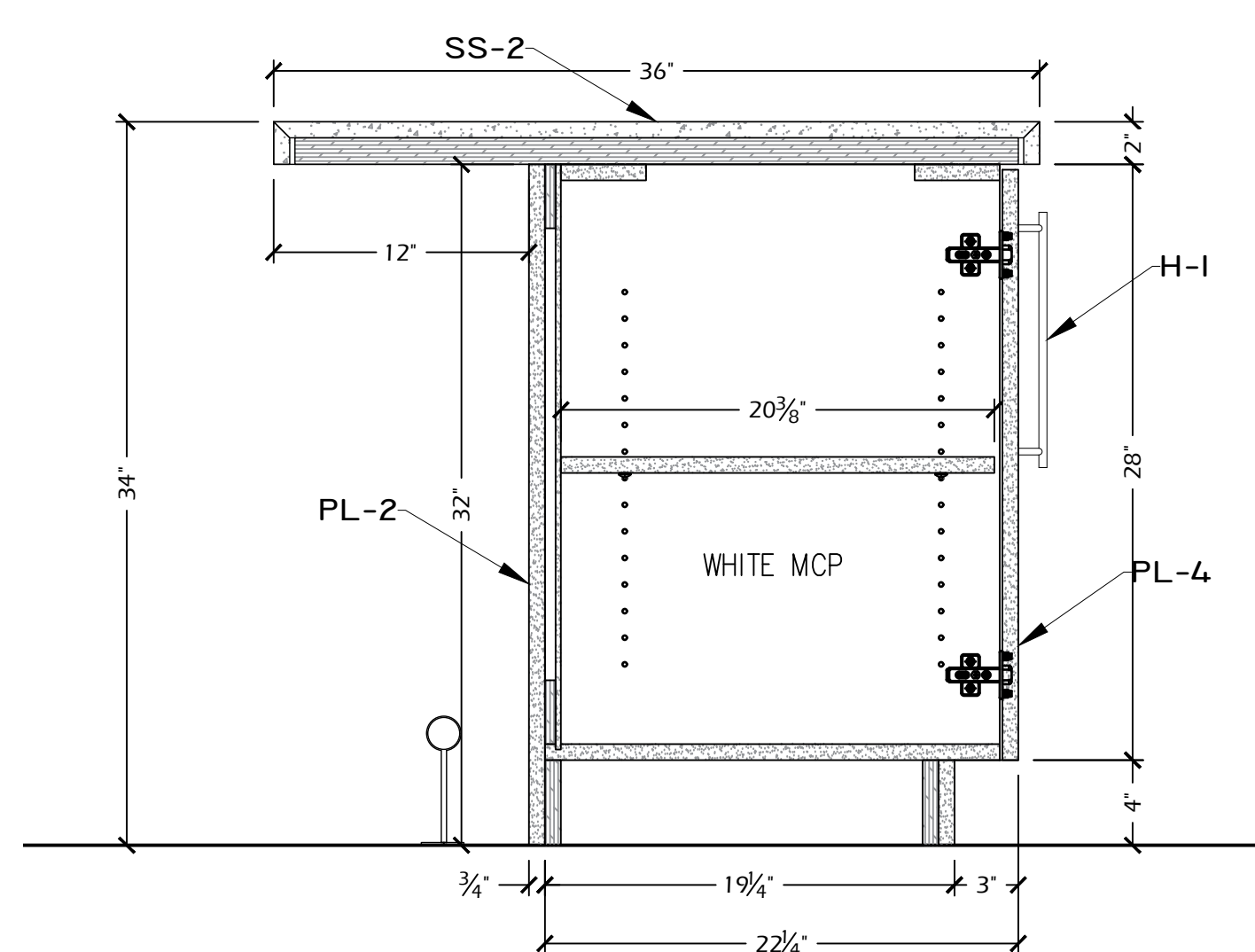
34 Section View
Scale : 1 1/2" = 1'-0"



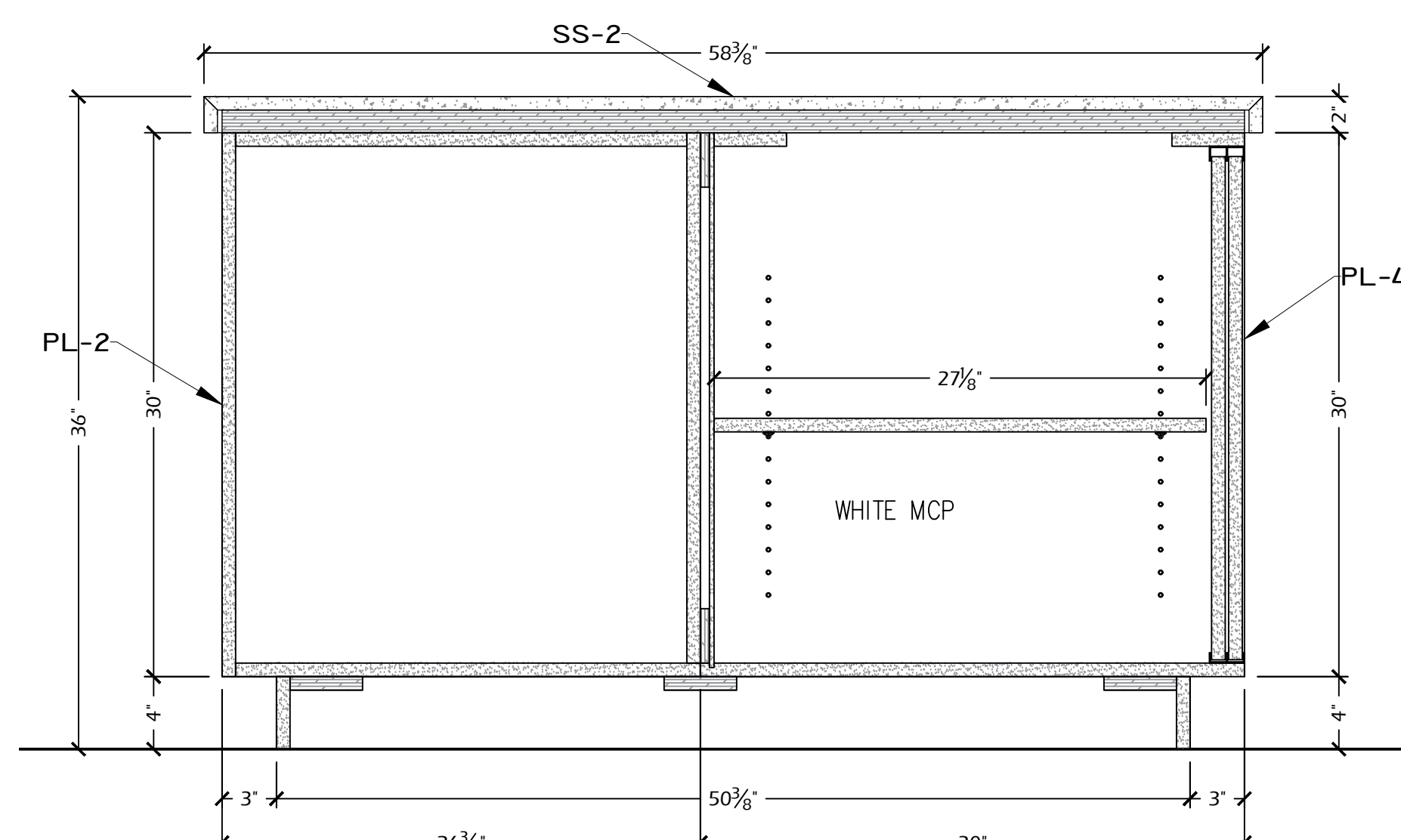
35 Section View
Scale : 1 1/2" = 1'-0"



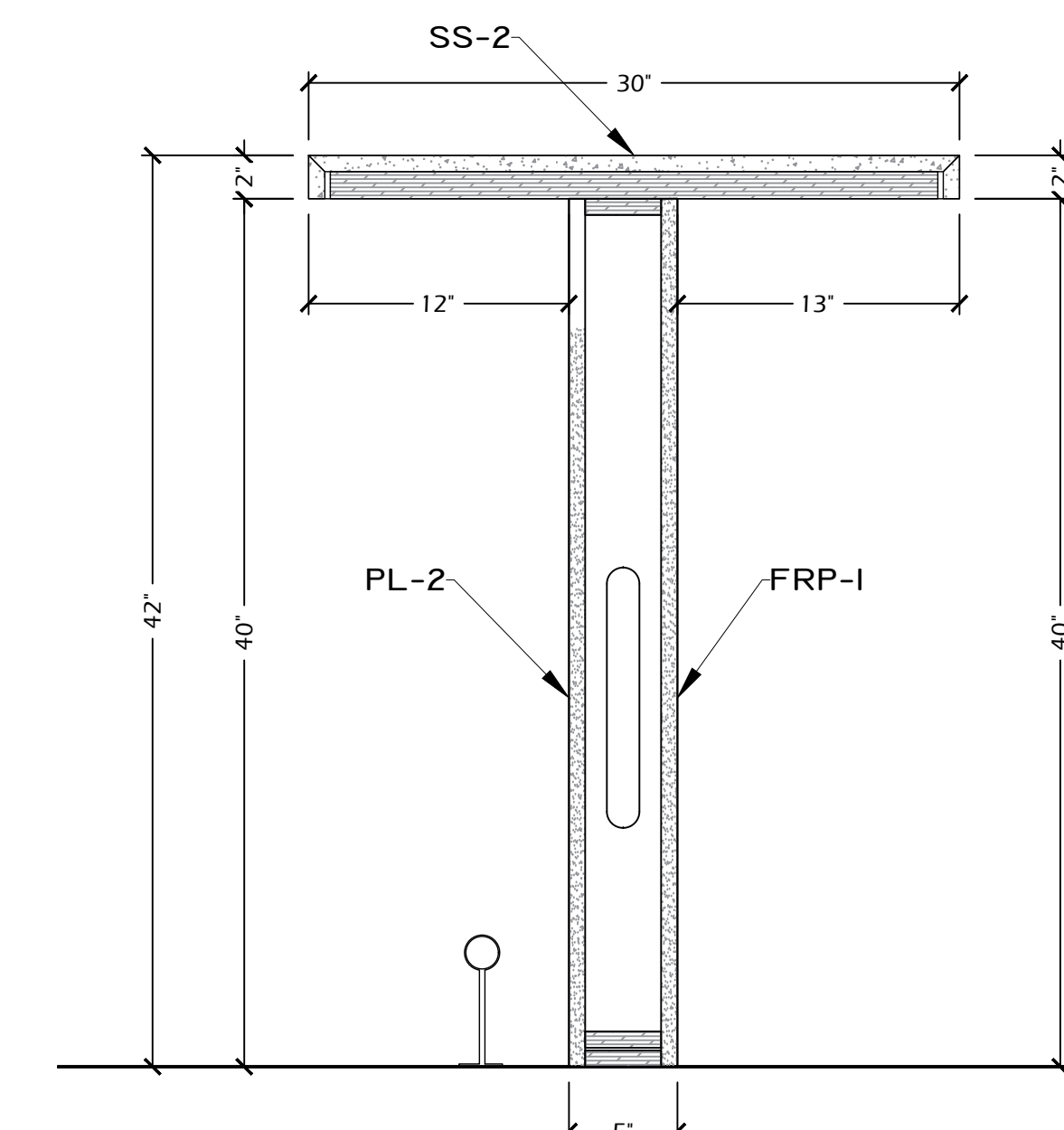
36 Section View
Scale : 1 1/2" = 1'-0"



37 Section View
Scale : 1 1/2" = 1'-0"



38 Section View
Scale : 1 1/2" = 1'-0"



39 Section View
Scale : 1 1/2" = 1'-0"

FINISH SCHEDULE

(PL-1) =	Nevamar: S7024G Chalk White Gloss
(PL-2) =	Formica: 8848-58 Blackened Legna Matt
(PL-3) =	LaminArt: #3128-E Oro Noce Vellum Finish
(PL-4) =	Formica: #909-AN Black Infiniti Finish
(SS-1) =	Caesar Stone: 3100 Jet Black Gloss
(SS-2) =	Caesar Stone: 4600 Organic White Gloss
(M-1) =	3/8" White MCP

HARDWARE

(H-1) =	Doug Mockett : DP55E 5/16" Dia. Rod Pull Satin Stainless Steel
(H-2) =	Salice : 200 Series (CZR9A99) 120° European Hinge Self Closing
(H-3) =	
(H-4) =	
(H-5) =	
(H-6) =	
(H-7) =	
(H-8) =	
(H-9) =	
(H-10) =	
(H-11) =	
(H-12) =	

No.	Issue/Revision	Date
1	Submittal	5/18/2022

LINCOLN FINANCIAL FIELD

MILLWORK SHOP DRAWINGS

DRAWN BY: WALLY SHUSTER	DRAWING #: 8
DATE: 5/16/2022	JOB #: 22-0036
SCALE: AS NOTED	