

**1 Plan Section View @ Kitchen**  
 Scale: 1" = 1'-0"

**FINISH SCHEDULE**

(-)	=	---
(-)	=	---
(-)	=	---
(-)	=	---

**HARDWARE**

(H-1)	=	---
(H-2)	=	---
(H-3)	=	---
(H-4)	=	---
(H-5)	=	---

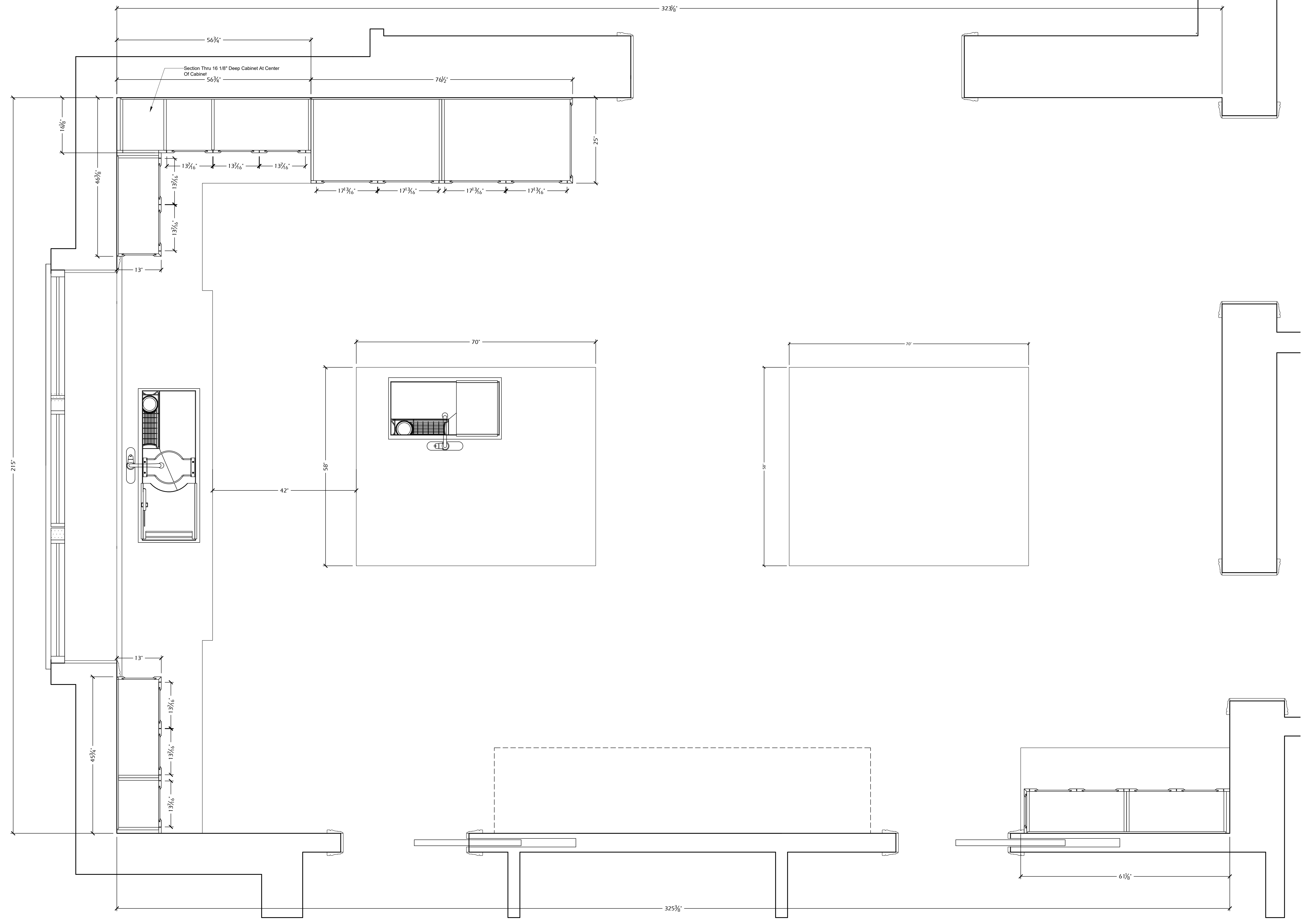
1	Red Lines	10/7/2021
NO.	REVISION / ISSUE	DATE



**MILLWORK SHOP DRAWINGS**

**Lim Residence**  
 Kitchen

DRAWN BY:	WALLY SHUSTER	DRAWING #:	1
DATE:	10/1/2021	JOB #:	---
SCALE:	AS NOTED		



**2 Plan Section View @ Kitchen**  
 Scale : 1" = 1'-0"

**FINISH SCHEDULE**

(-)	=	---
(-)	=	---
(-)	=	---
(-)	=	---

**HARDWARE**

(H-1)	=	---
(H-2)	=	---
(H-3)	=	---
(H-4)	=	---
(H-5)	=	---

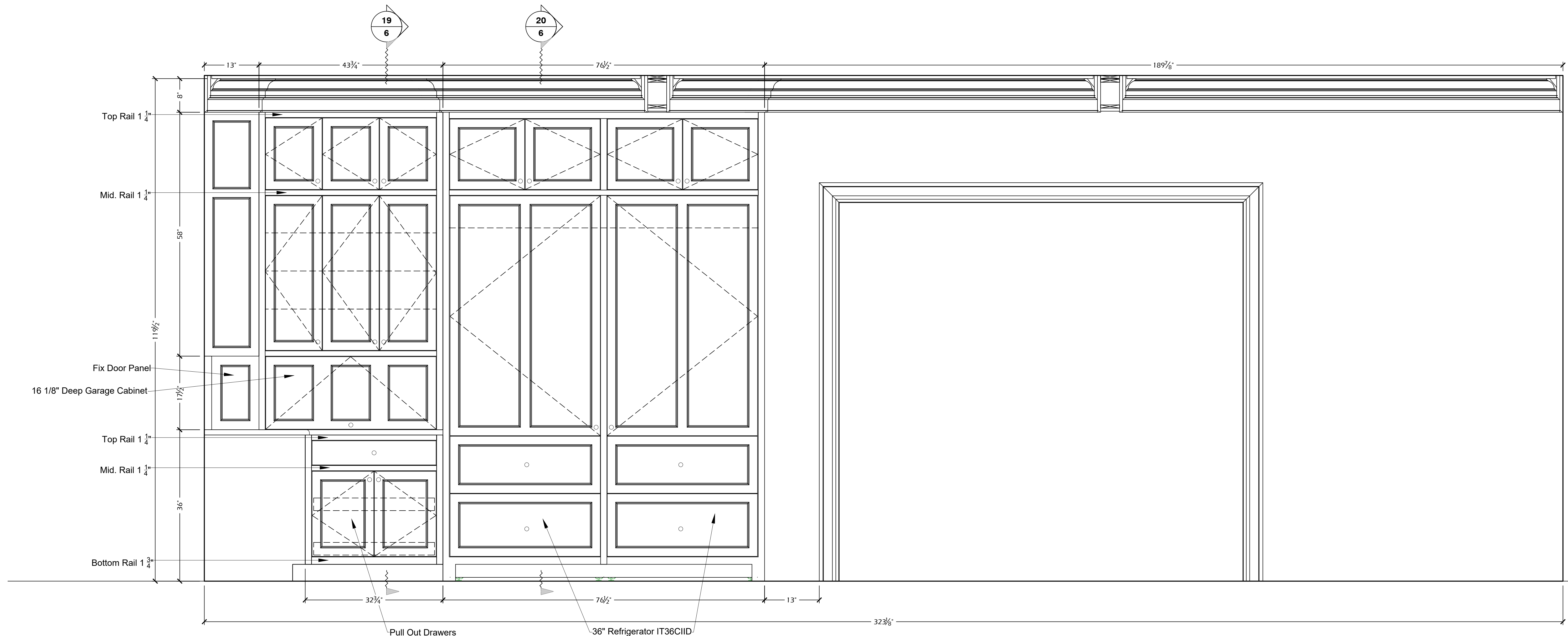
1	Red Lines	10/7/2021
NO.	REVISION / ISSUE	DATE



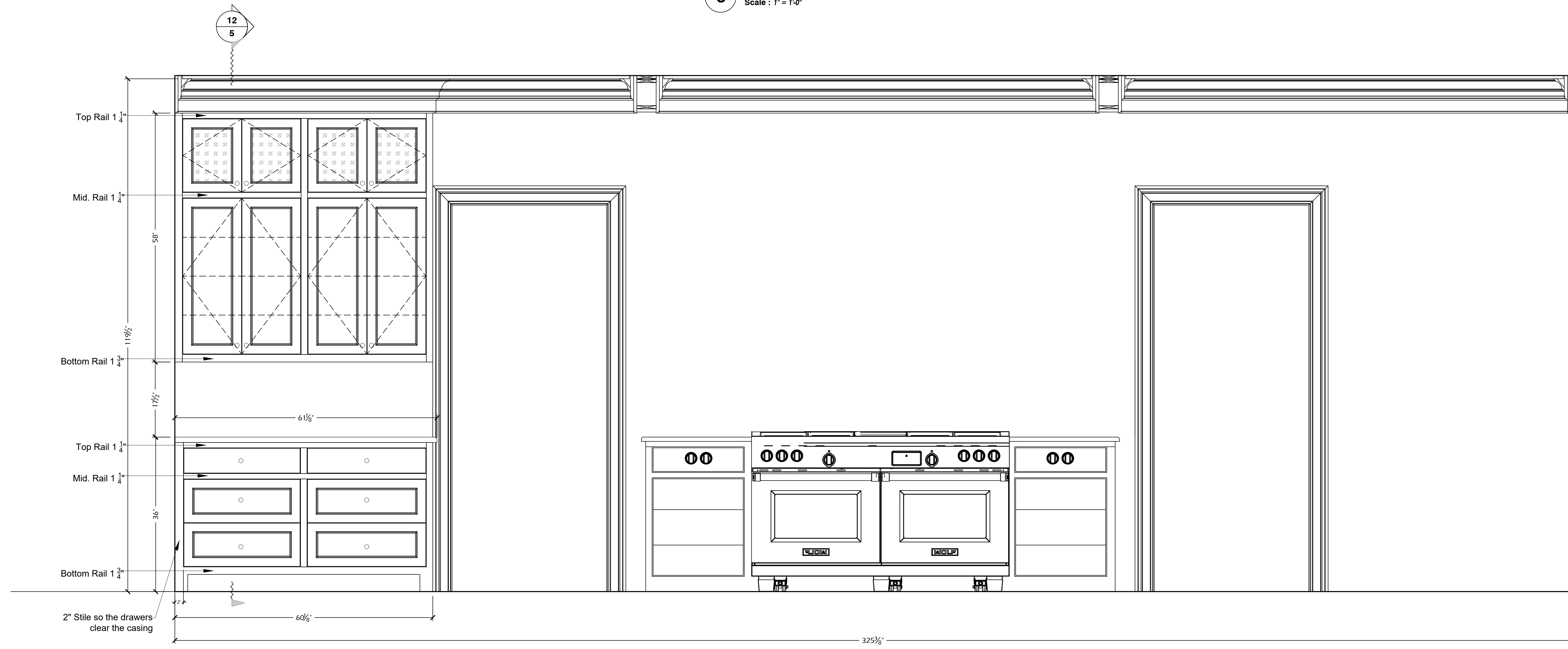
**MILLWORK SHOP DRAWINGS**

**Lim Residence**  
 Kitchen

DRAWN BY: WALLY SHUSTER	DRAWING #: <b>2</b>
DATE: 10/1/2021	JOB #: ---
SCALE: AS NOTED	



**3 Elevation View @ Kitchen**  
Scale : 1" = 1'-0"



**4 Elevation View @ Kitchen**  
Scale : 1" = 1'-0"

**FINISH SCHEDULE**

(-)	=	---
(-)	=	---
(-)	=	---
(-)	=	---

**HARDWARE**

(H-1)	=	---
(H-2)	=	---
(H-3)	=	---
(H-4)	=	---
(H-5)	=	---

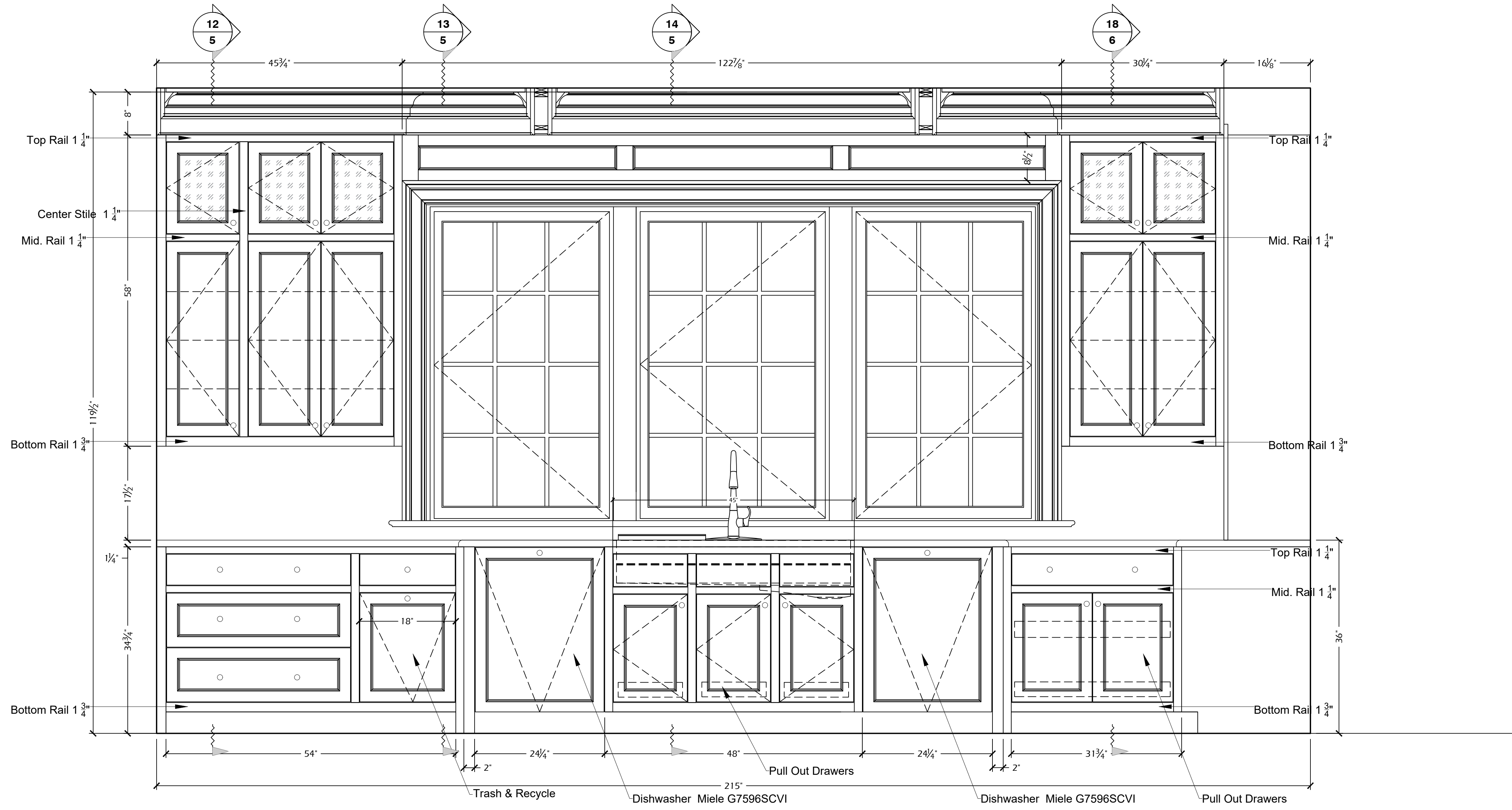
1	Red Lines	10/7/2021
NO.	REVISION / ISSUE	DATE



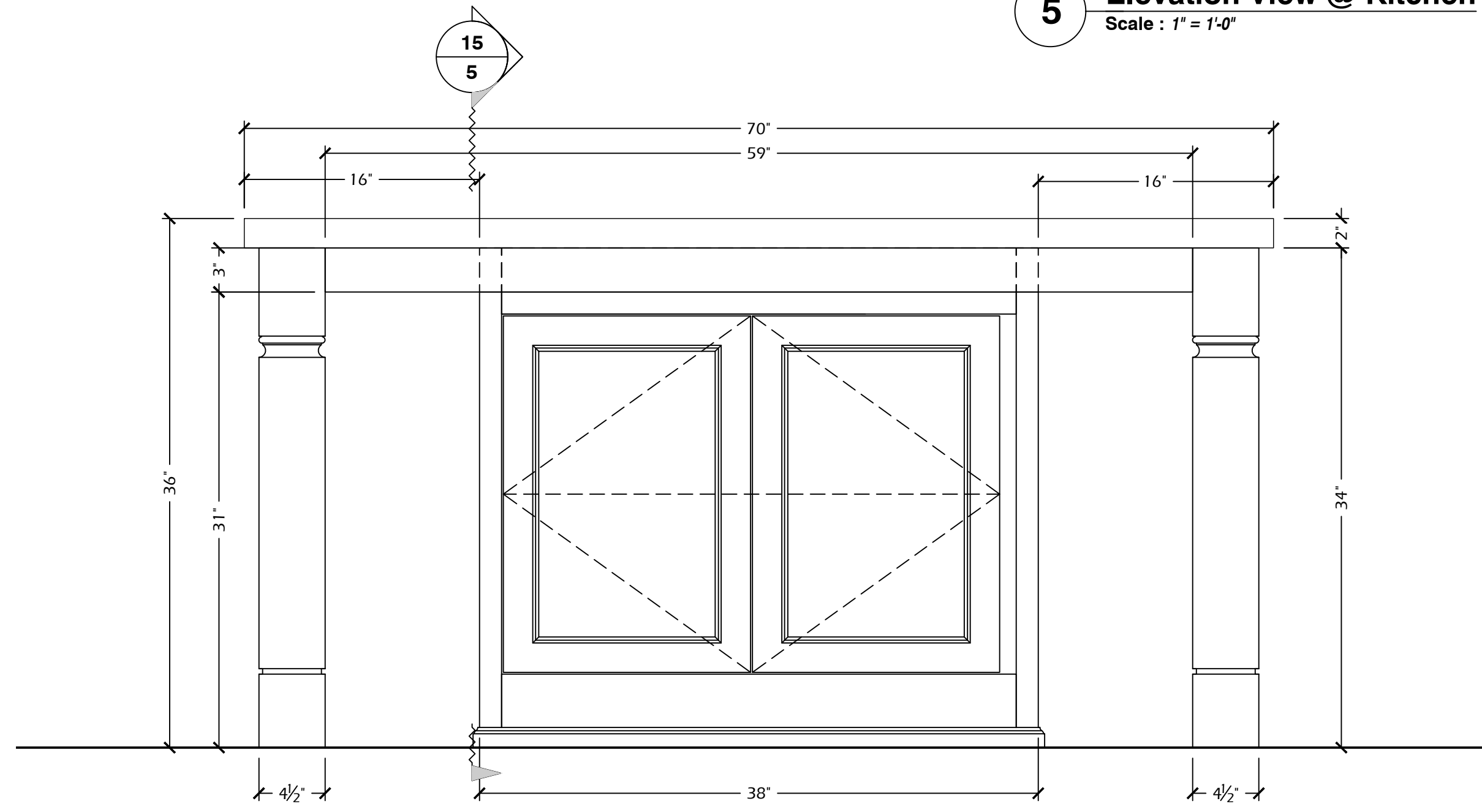
**MILLWORK SHOP DRAWINGS**

**Lim Residence**  
Kitchen

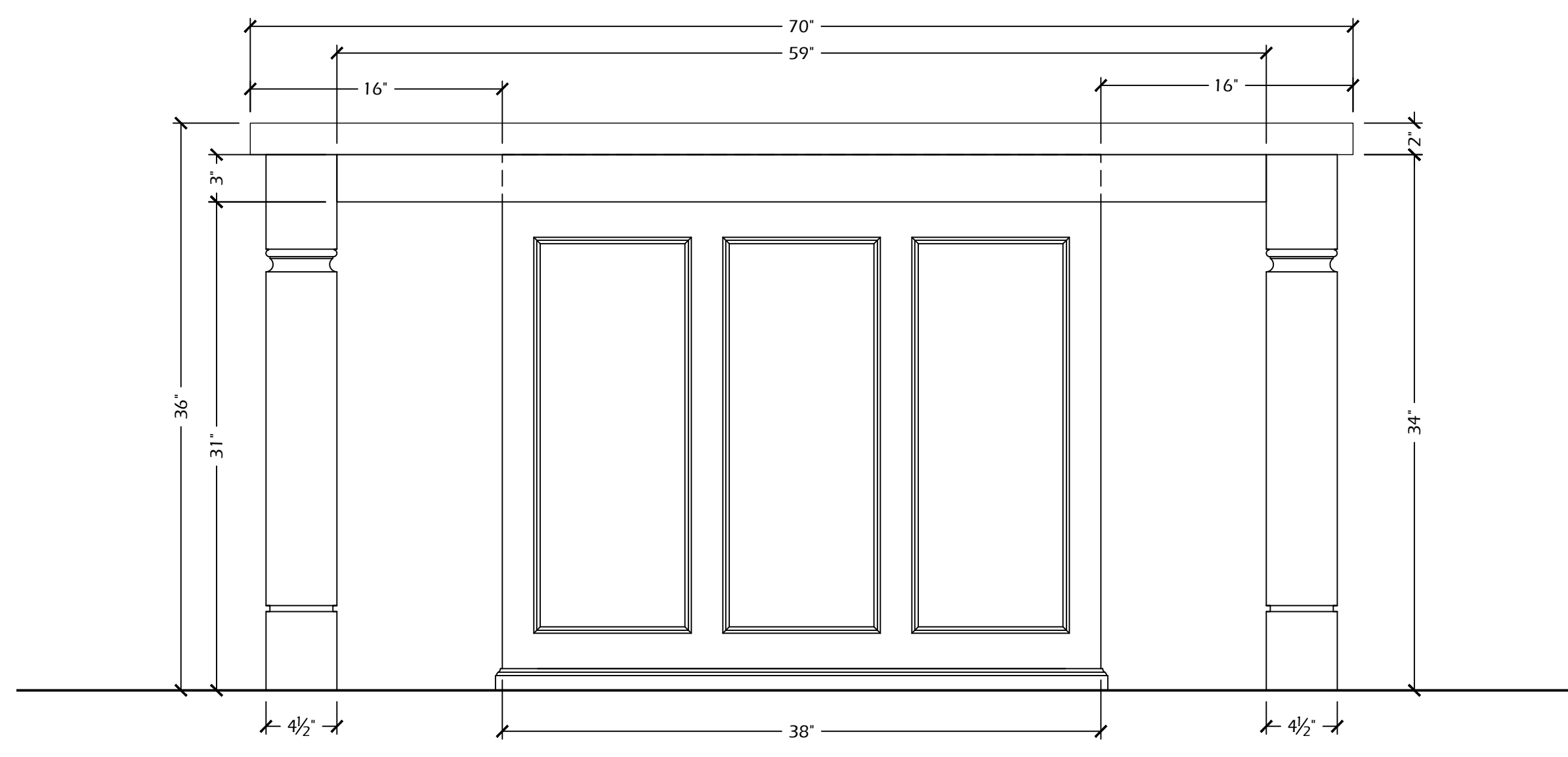
DRAWN BY: <b>WALLY SHUSTER</b>	DRAWING #: <b>3</b>
DATE: <b>10/1/2021</b>	JOB #: ---
SCALE: <b>AS NOTED</b>	



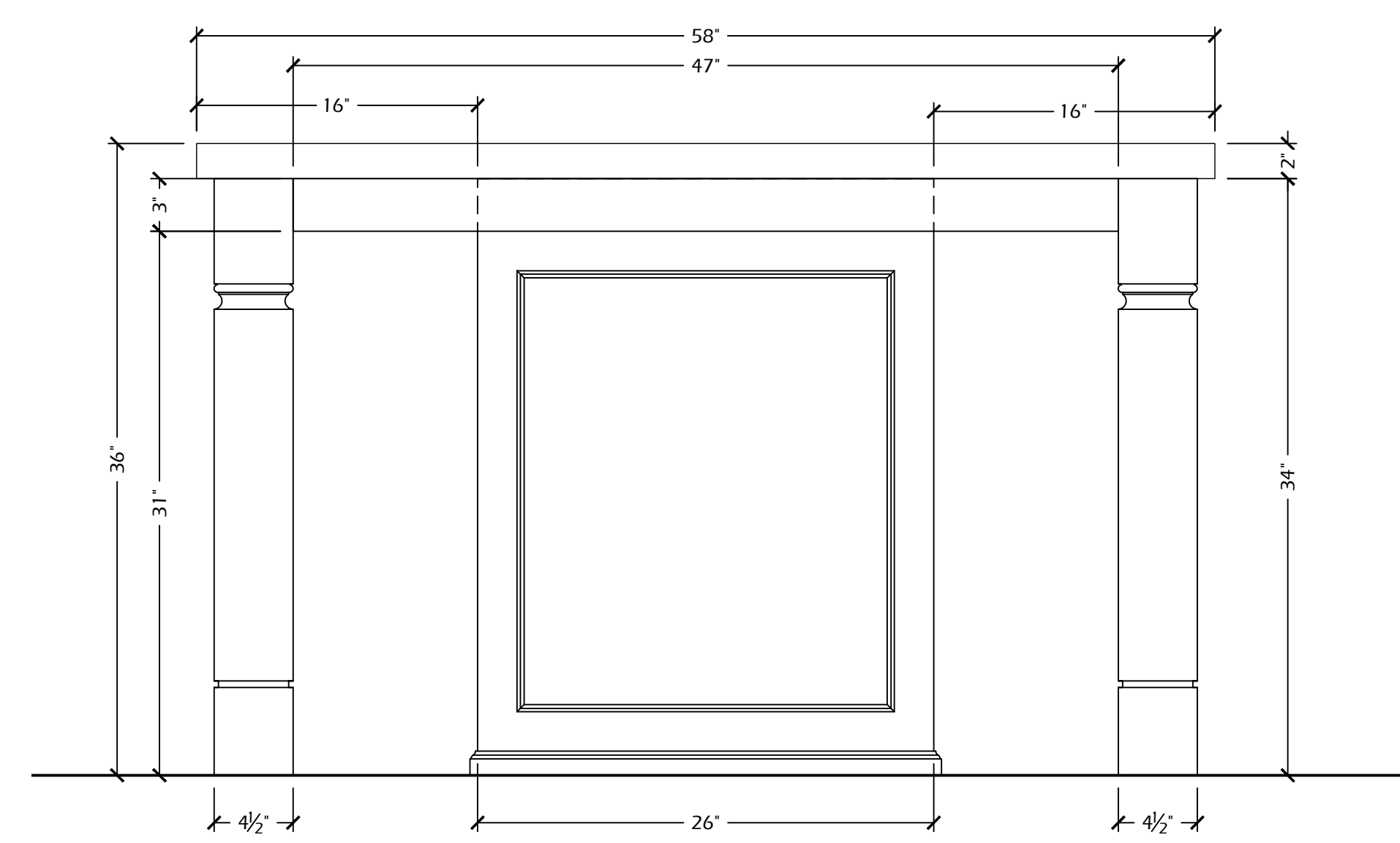
**5 Elevation View @ Kitchen**  
Scale : 1" = 1'-0"



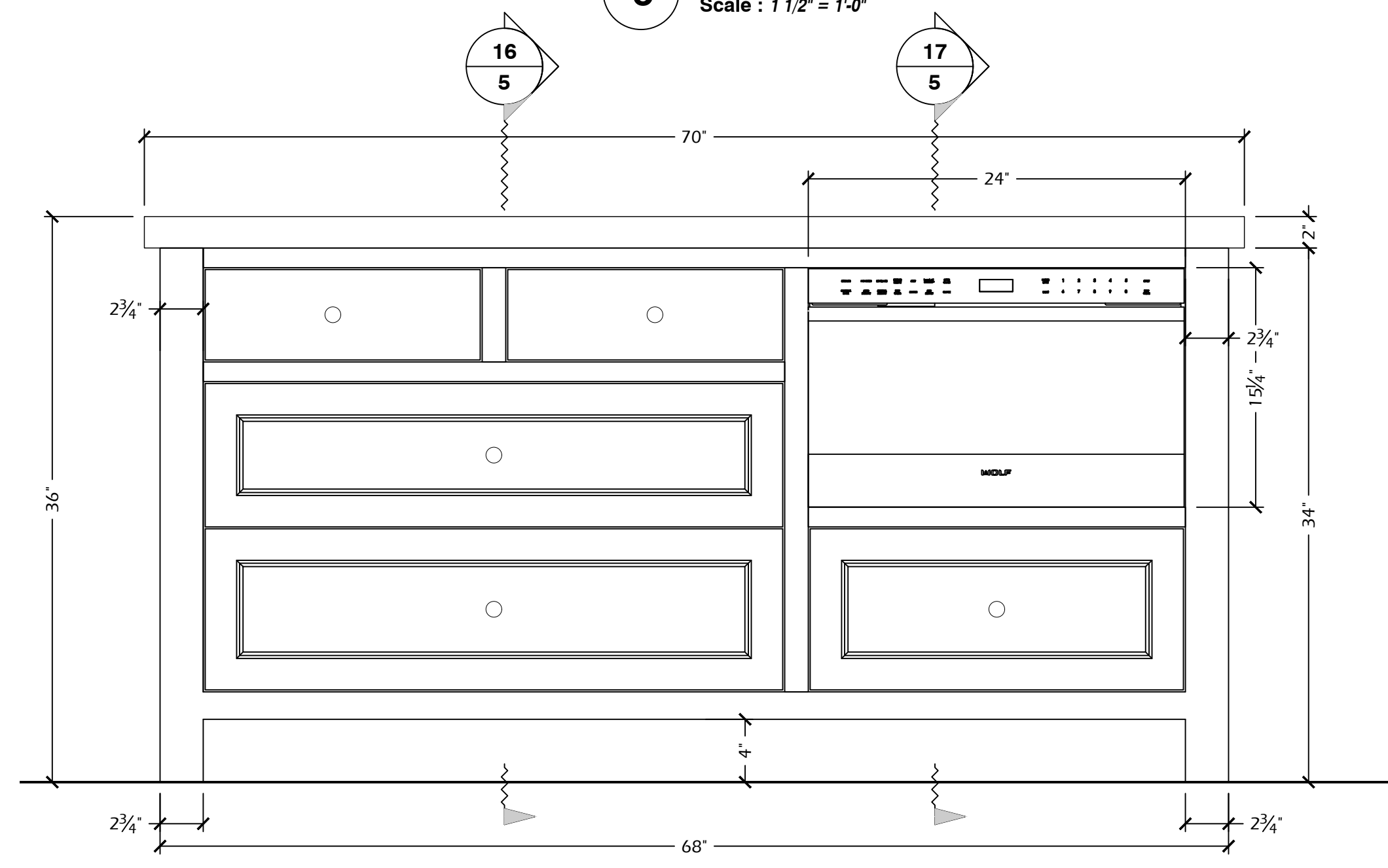
**6 Elevation View @ Kitchen**  
Scale : 1 1/2" = 1'-0"



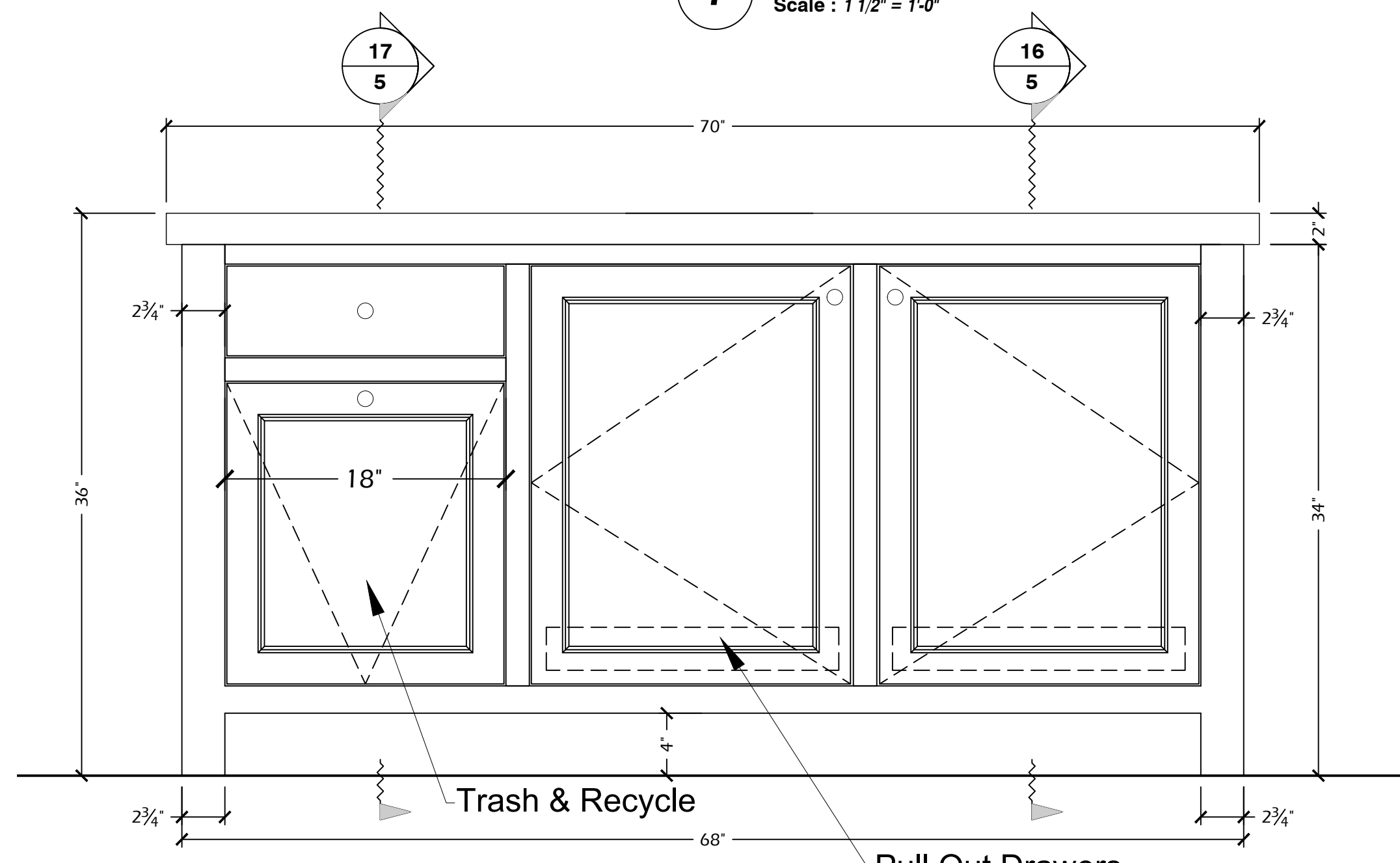
**7 Elevation View @ Kitchen**  
Scale : 1 1/2" = 1'-0"



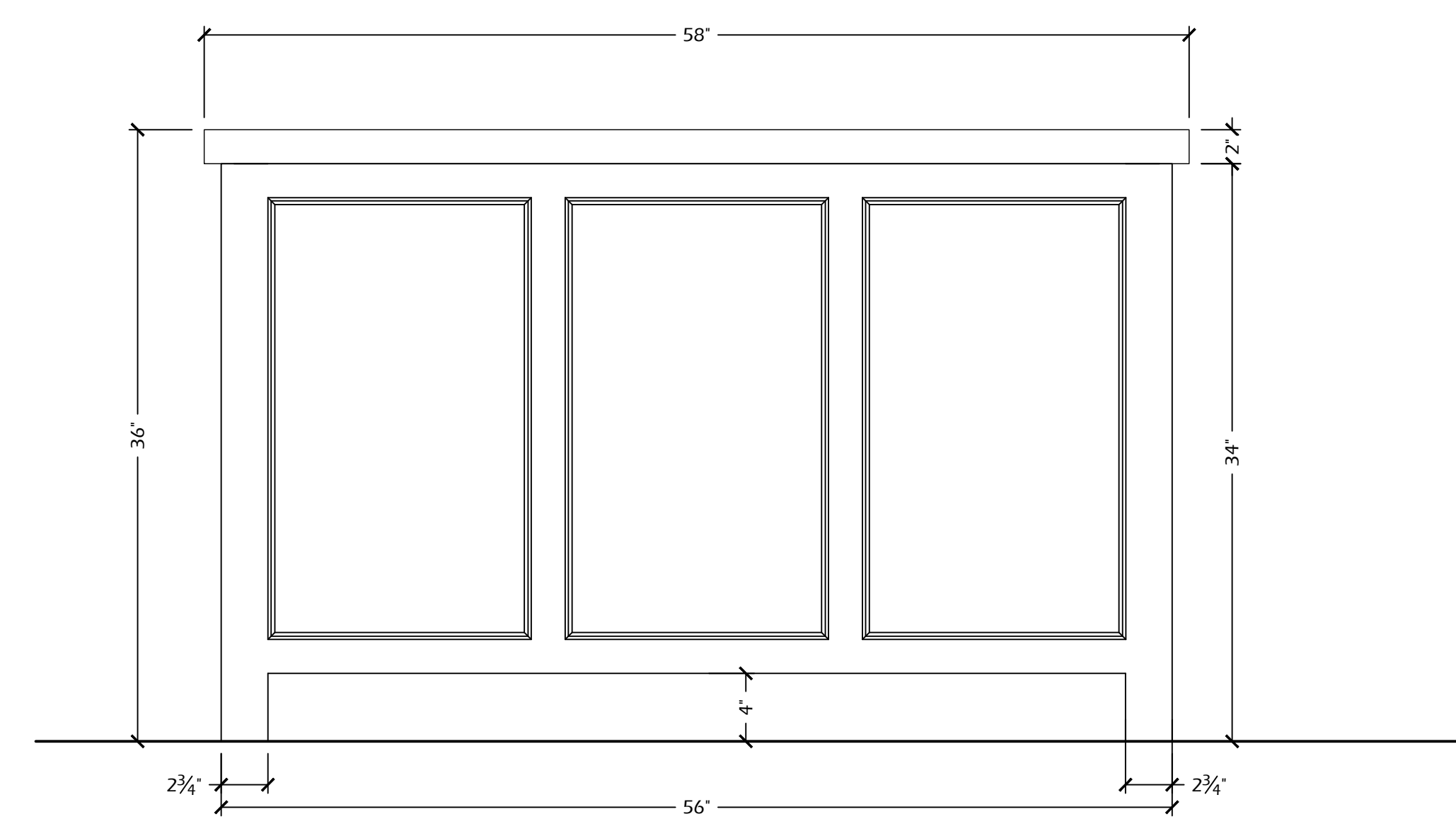
**8 Elevation View @ Kitchen**  
Scale : 1 1/2" = 1'-0"



**9 Elevation View @ Kitchen**  
Scale : 1 1/2" = 1'-0"



**10 Elevation View @ Kitchen**  
Scale : 1 1/2" = 1'-0"



**11 Elevation View @ Kitchen**  
Scale : 1 1/2" = 1'-0"

**FINISH SCHEDULE**

(-)	=	---
(-)	=	---
(-)	=	---
(-)	=	---

**HARDWARE**

(H-1)	=	---
(H-2)	=	---
(H-3)	=	---
(H-4)	=	---
(H-5)	=	---

1	Red Lines	10/7/2021
NO.	REVISION / ISSUE	DATE



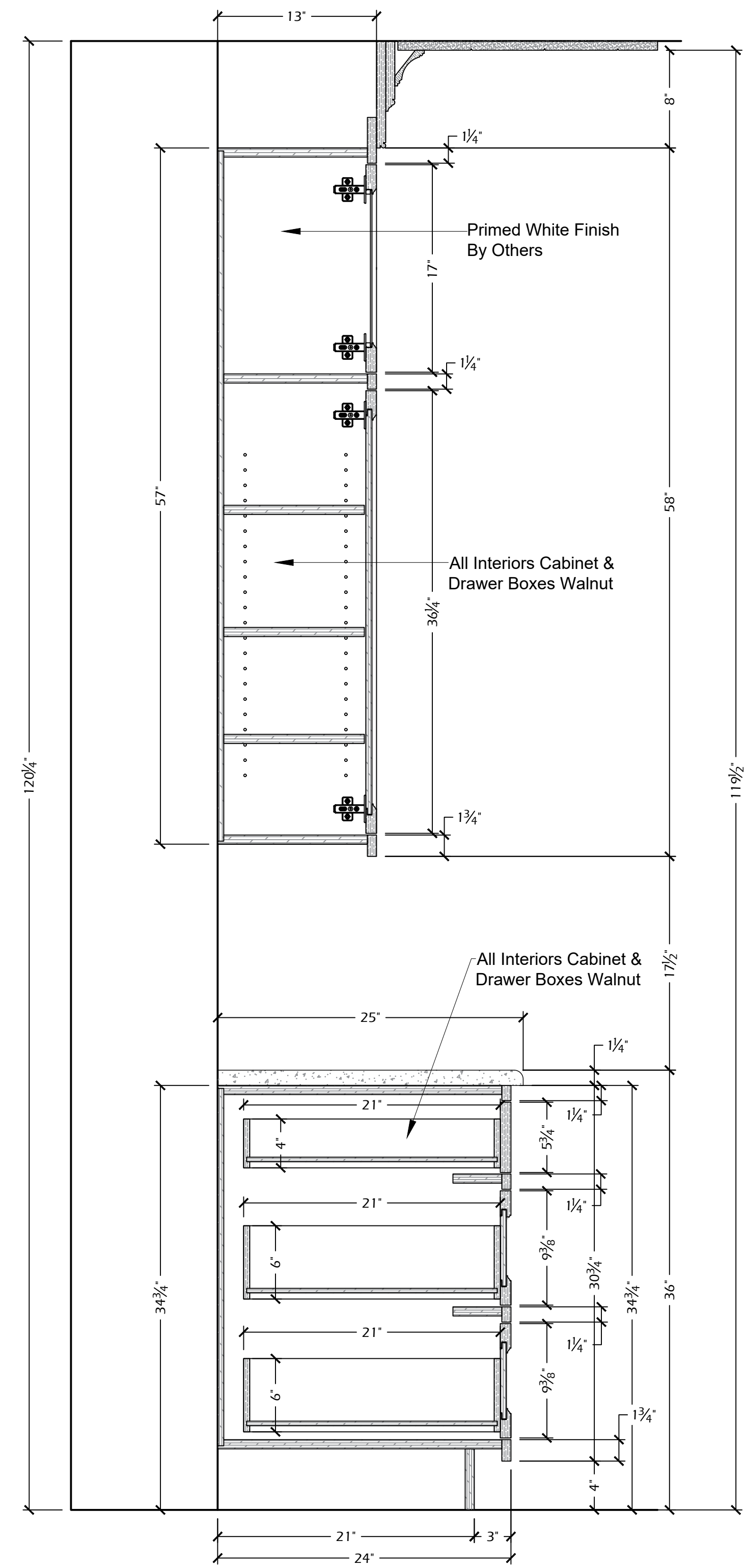
**MILLWORK SHOP DRAWINGS**

**Lim Residence**

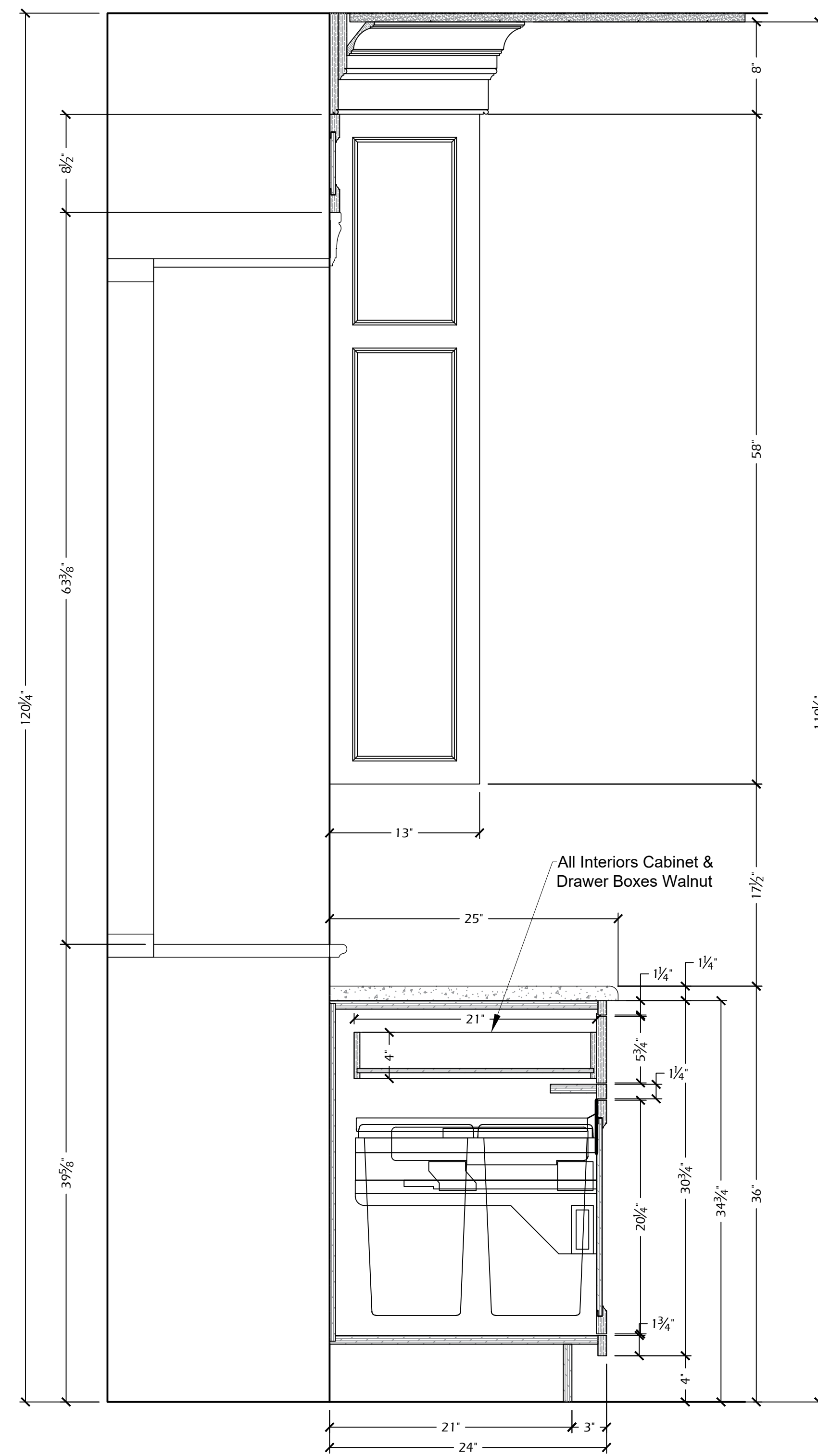
**Kitchen**

DRAWN BY: WALLY SHUSTER	DRAWING # <b>4</b>
DATE: 10/1/2021	JOB #: ---
SCALE: AS NOTED	

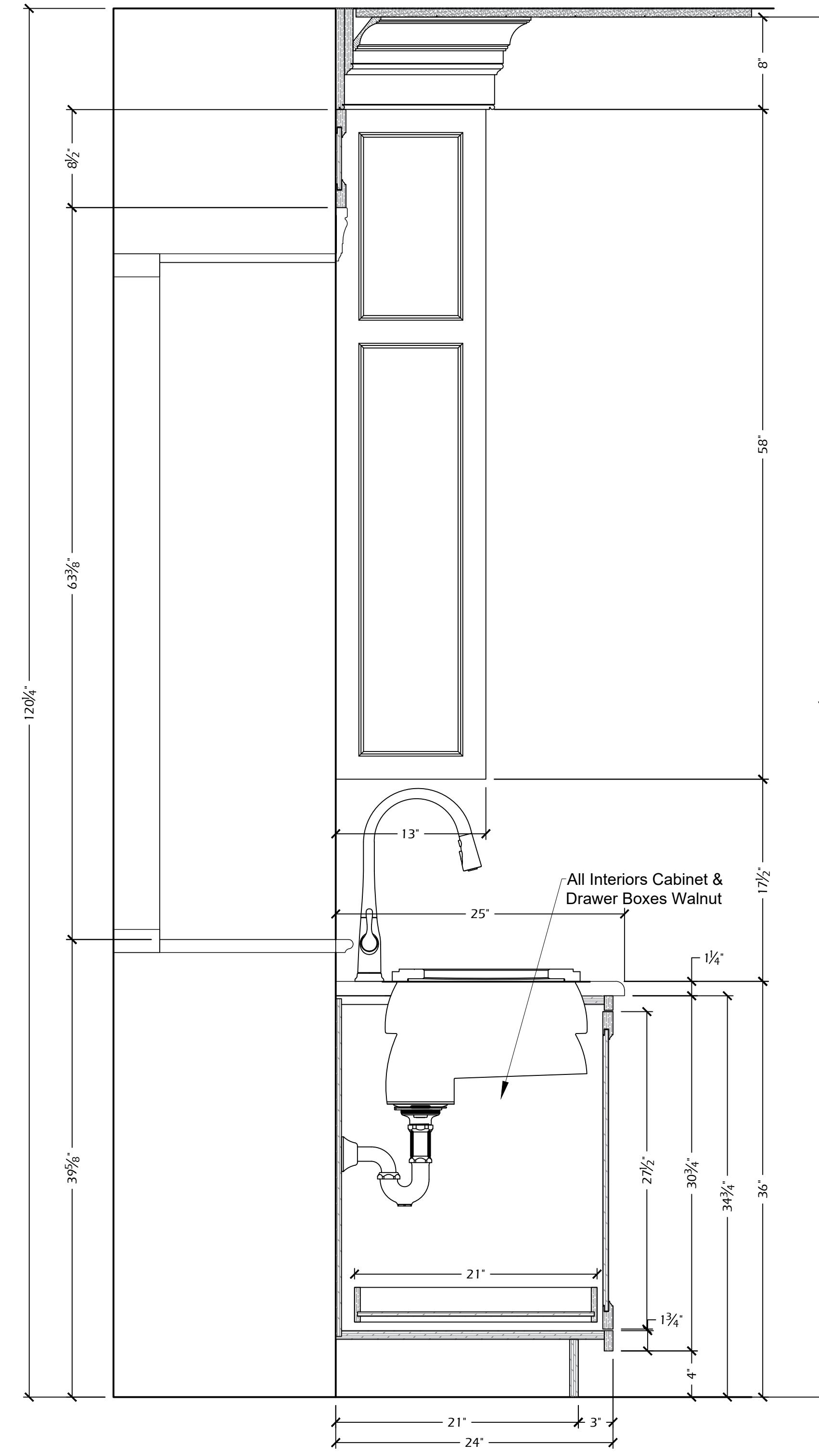




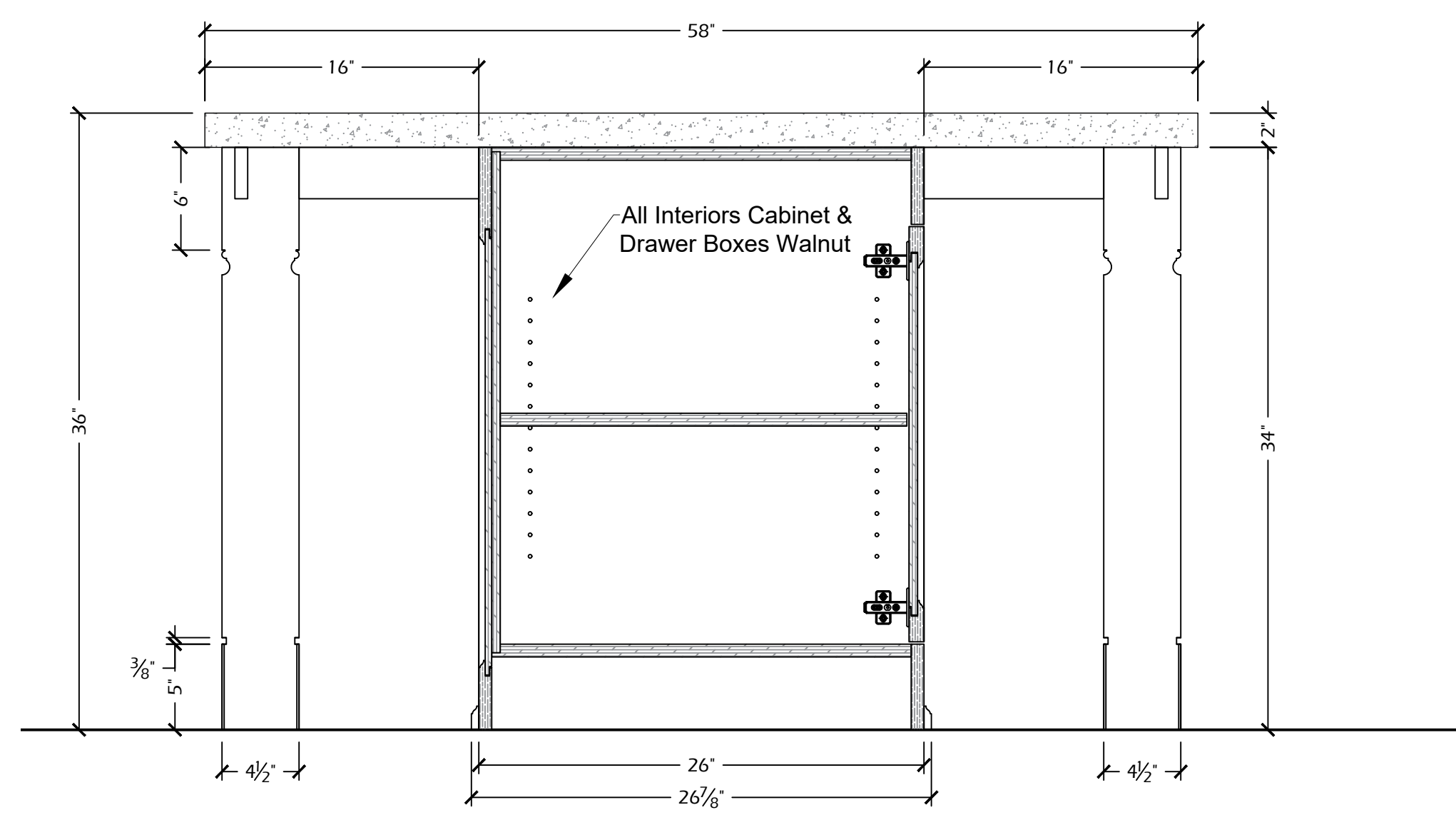
**12 Section**  
Scale: 1 1/2" = 1'-0"



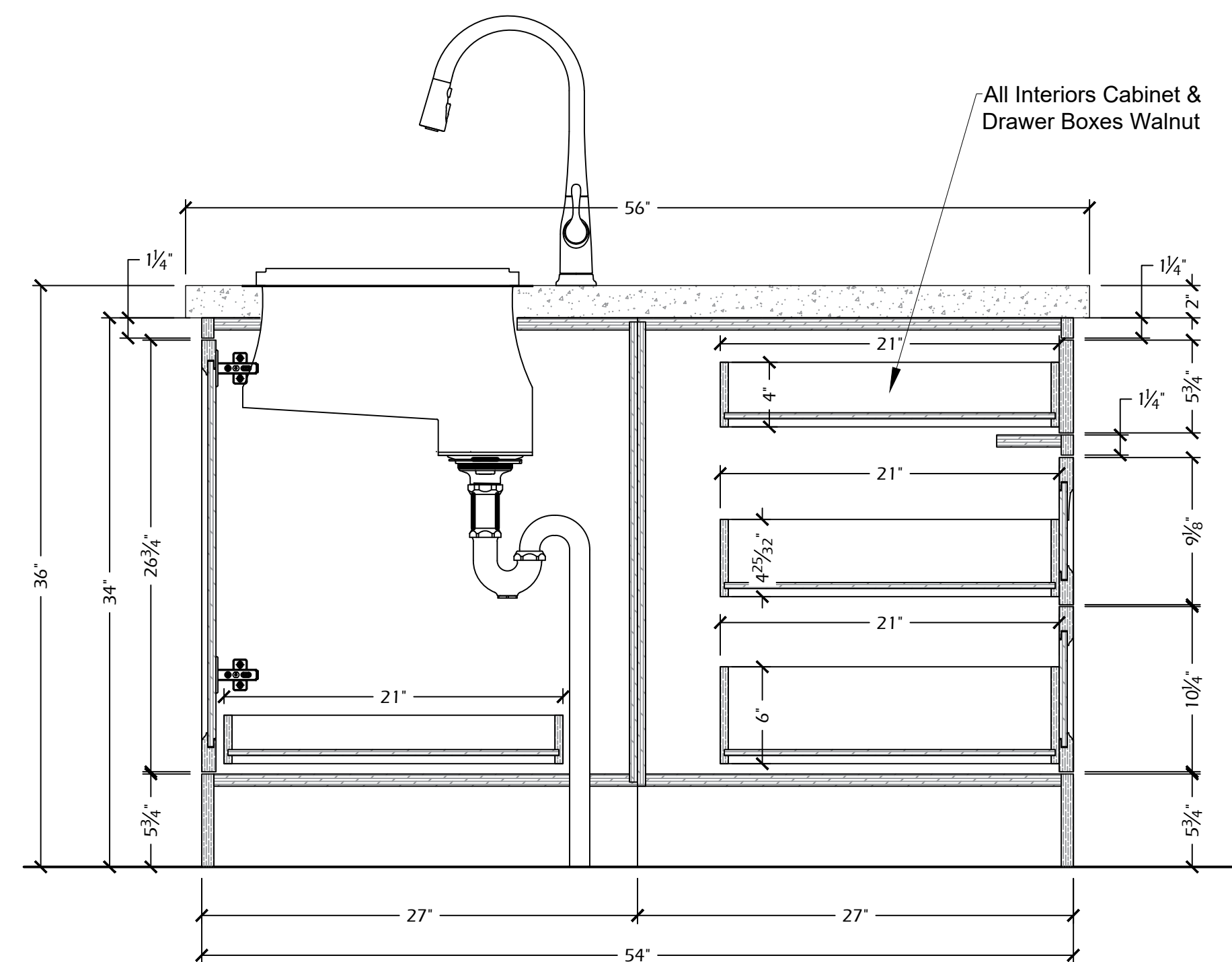
**13 Section**  
Scale: 1 1/2" = 1'-0"



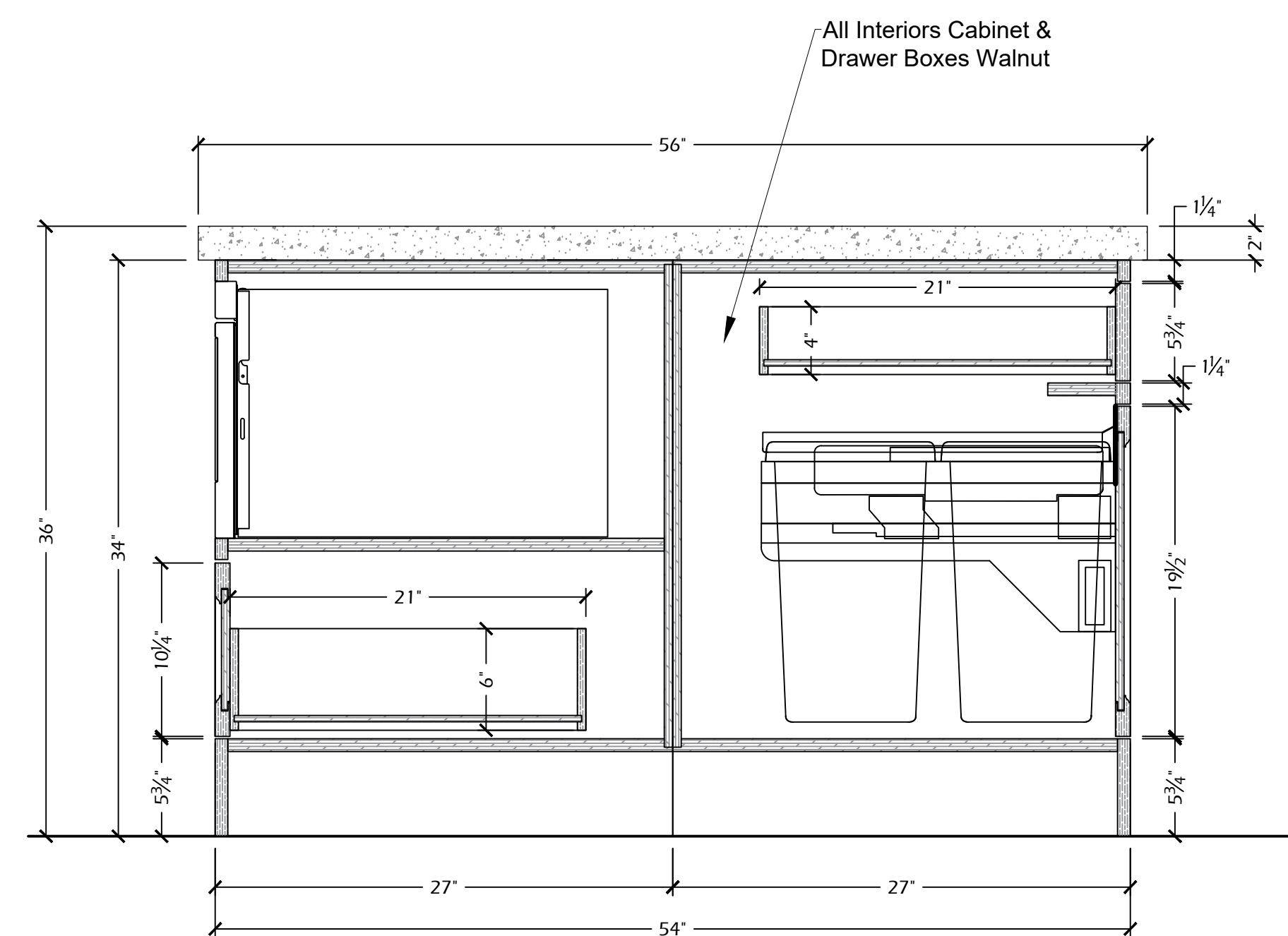
**14 Section**  
Scale: 1 1/2" = 1'-0"



**15 Section**  
Scale: 1 1/2" = 1'-0"



**16 Section**  
Scale: 1 1/2" = 1'-0"



**17 Section**  
Scale: 1 1/2" = 1'-0"

**FINISH SCHEDULE**

- (-)= —
- (-)= —
- (-)= —
- (-)= —

**HARDWARE**

- (H-1) = —
- (H-2) = —
- (H-3) = —
- (H-4) = —
- (H-5) = —

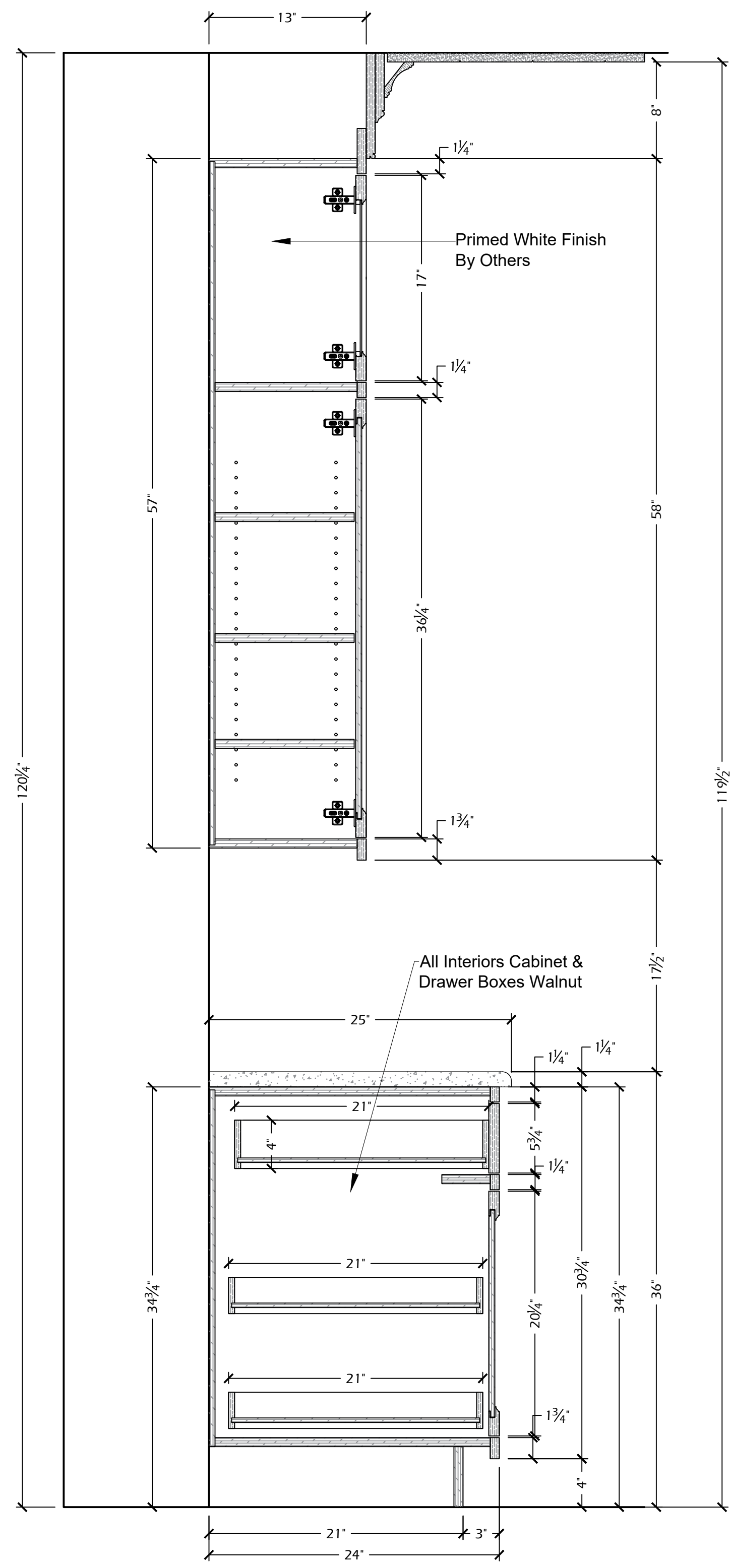
1	Red Lines	10/7/2021
NO.	REVISION / ISSUE	DATE



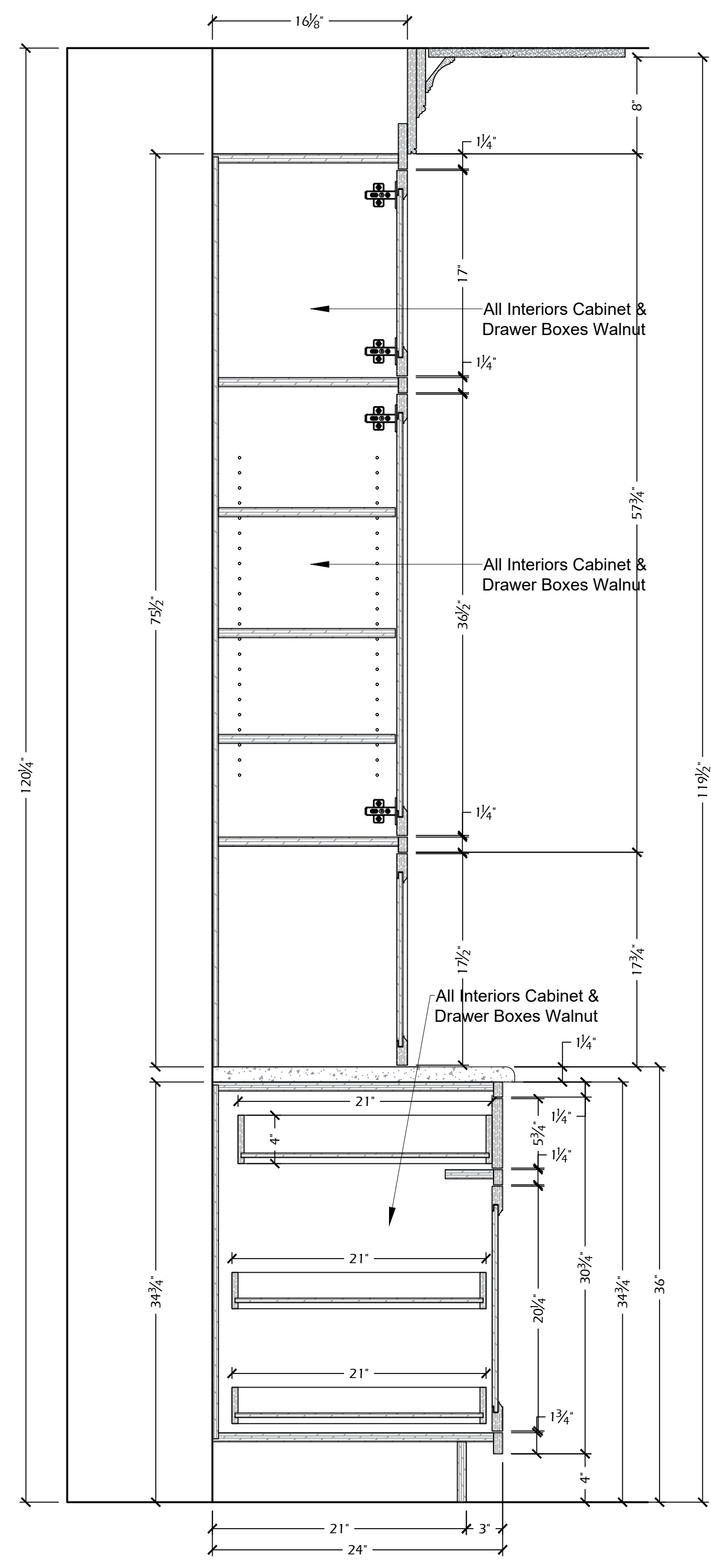
**MILLWORK SHOP DRAWINGS**

**Lim Residence**  
Kitchen

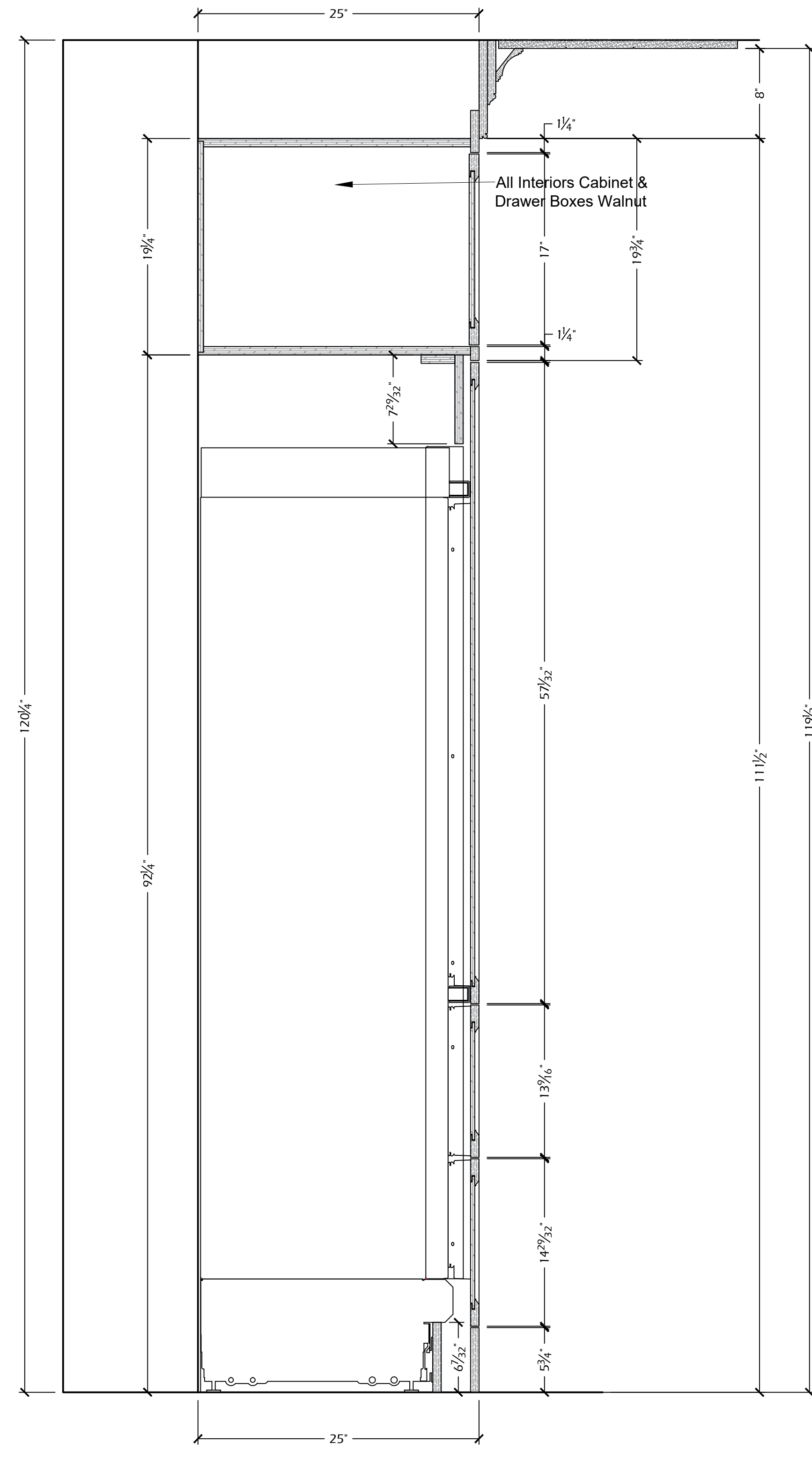
DRAWN BY: WALLY SHUSTER	DRAWING #: <b>5</b>
DATE: 10/1/2021	JOB #: —
SCALE: AS NOTED	



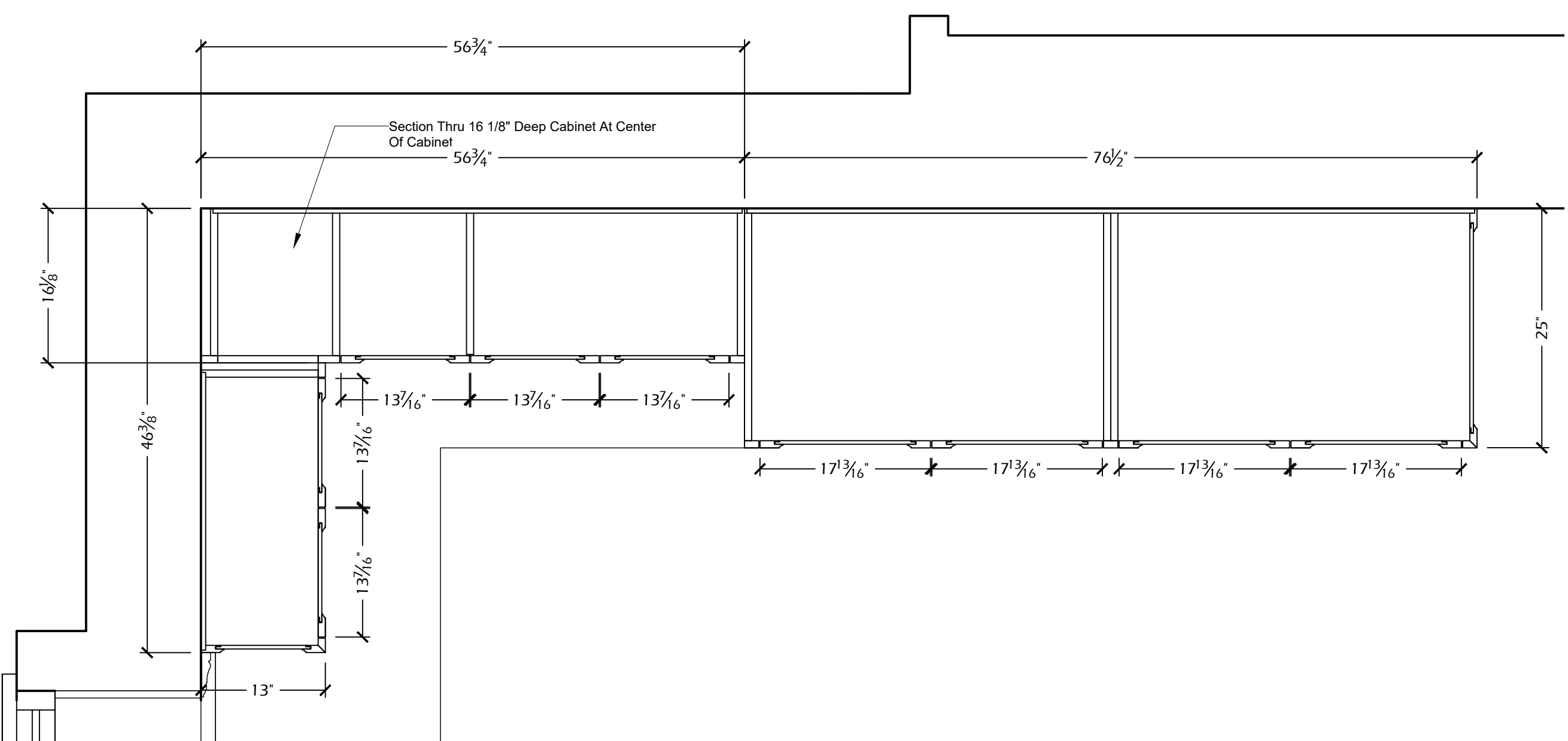
**18 Section**  
Scale : 1 1/2" = 1'-0"



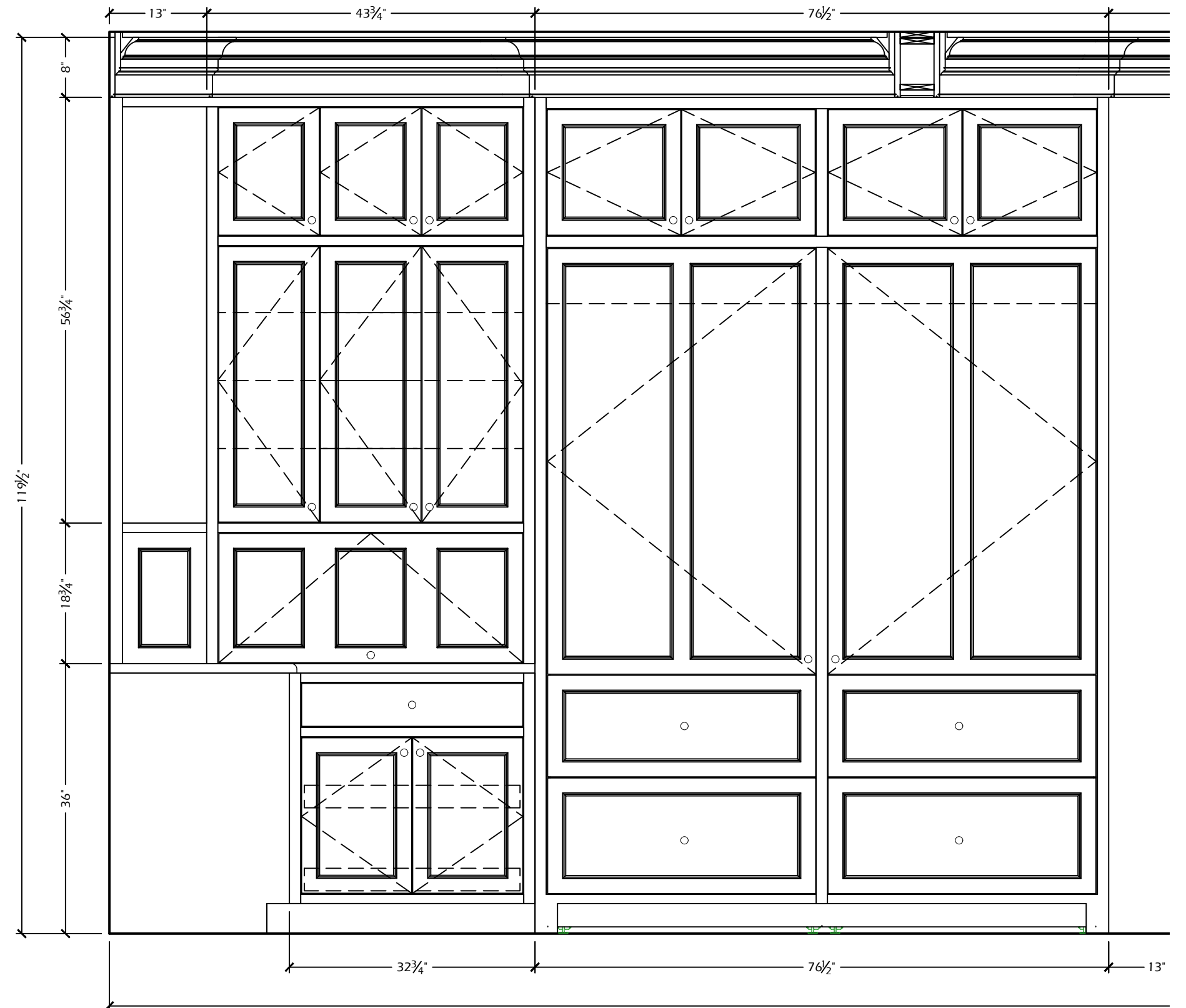
**19 Section**  
Scale : 1 1/2" = 1'-0"



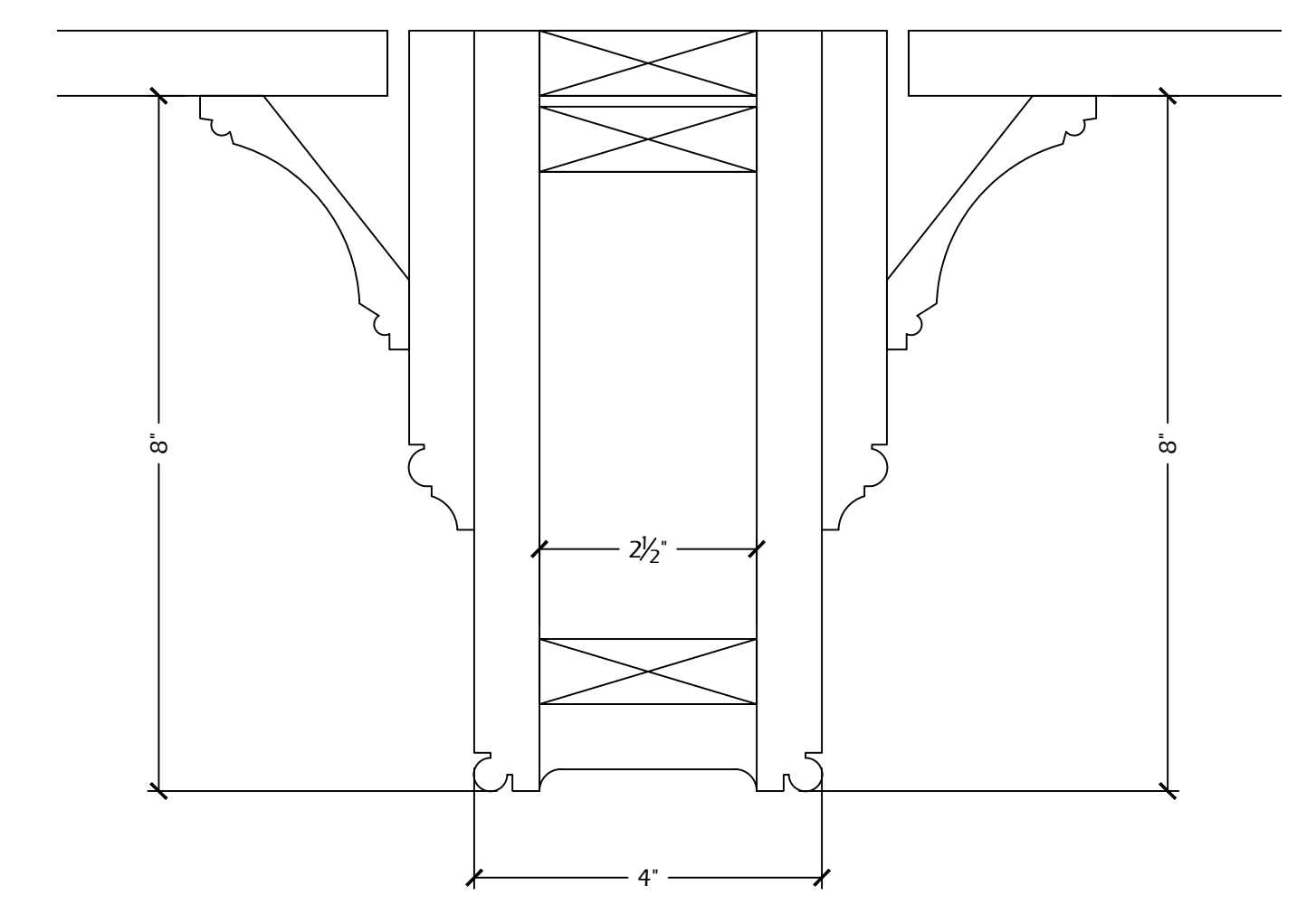
**20 Section**  
Scale : 1 1/2" = 1'-0"



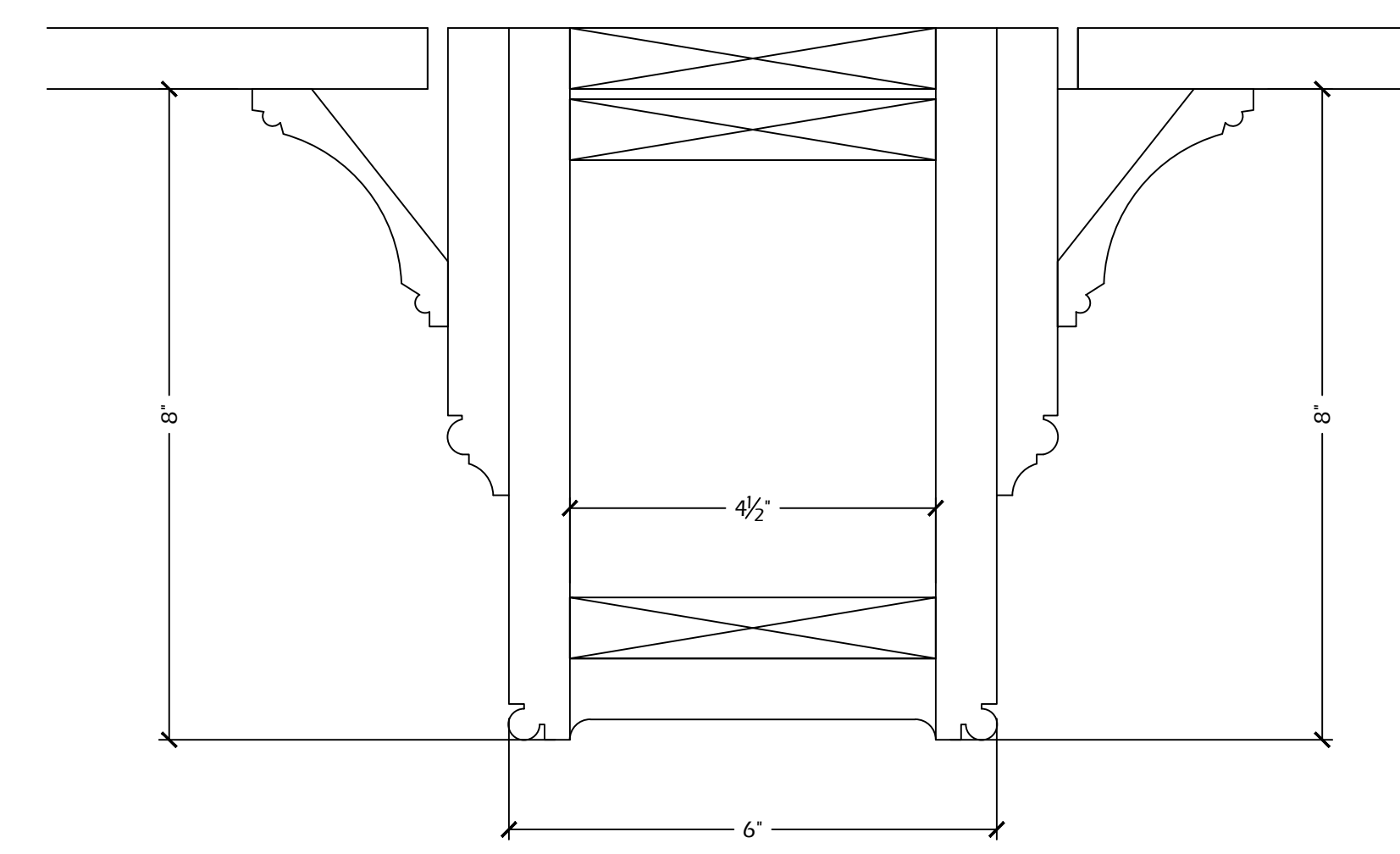
**20 Plan Section @ Garage Cabinet**  
Scale : 1" = 1'-0"



**21 Elevation @ Garage Cabinet**  
Scale : 3/4" = 1'-0"



**22 Detail @ Ceiling Beams**  
Scale : 6" = 1'-0"



**23 Detail @ Ceiling Beams**  
Scale : 6" = 1'-0"

**FINISH SCHEDULE**

(-)	=	---
(-)	=	---
(-)	=	---
(-)	=	---

**HARDWARE**

(H-1)	=	---
(H-2)	=	---
(H-3)	=	---
(H-4)	=	---
(H-5)	=	---

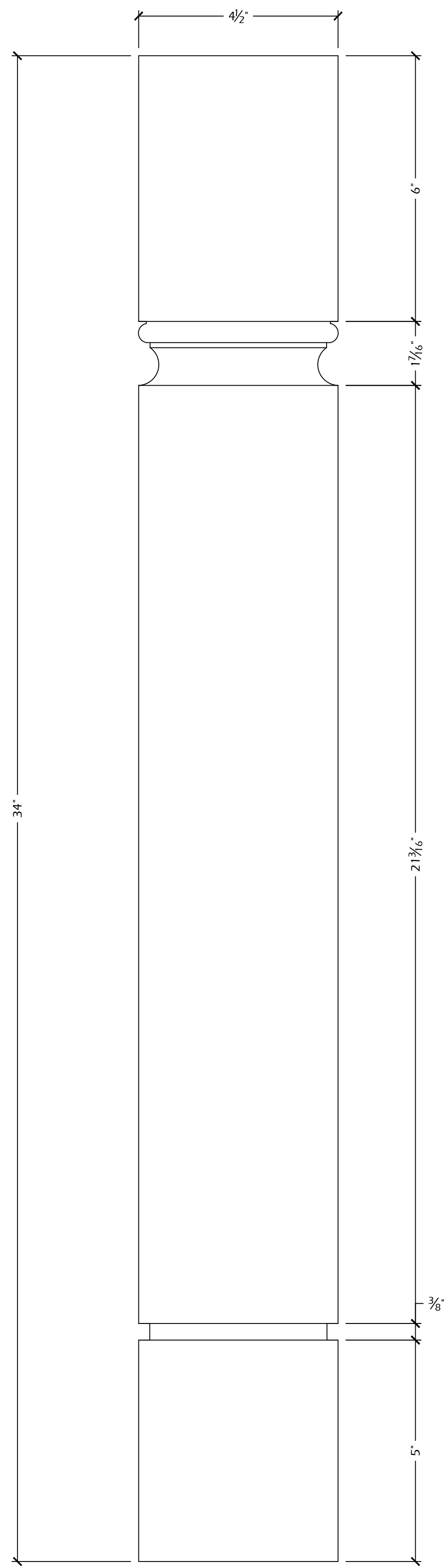
1	Red Lines	10/7/2021
NO.	REVISION / ISSUE	DATE



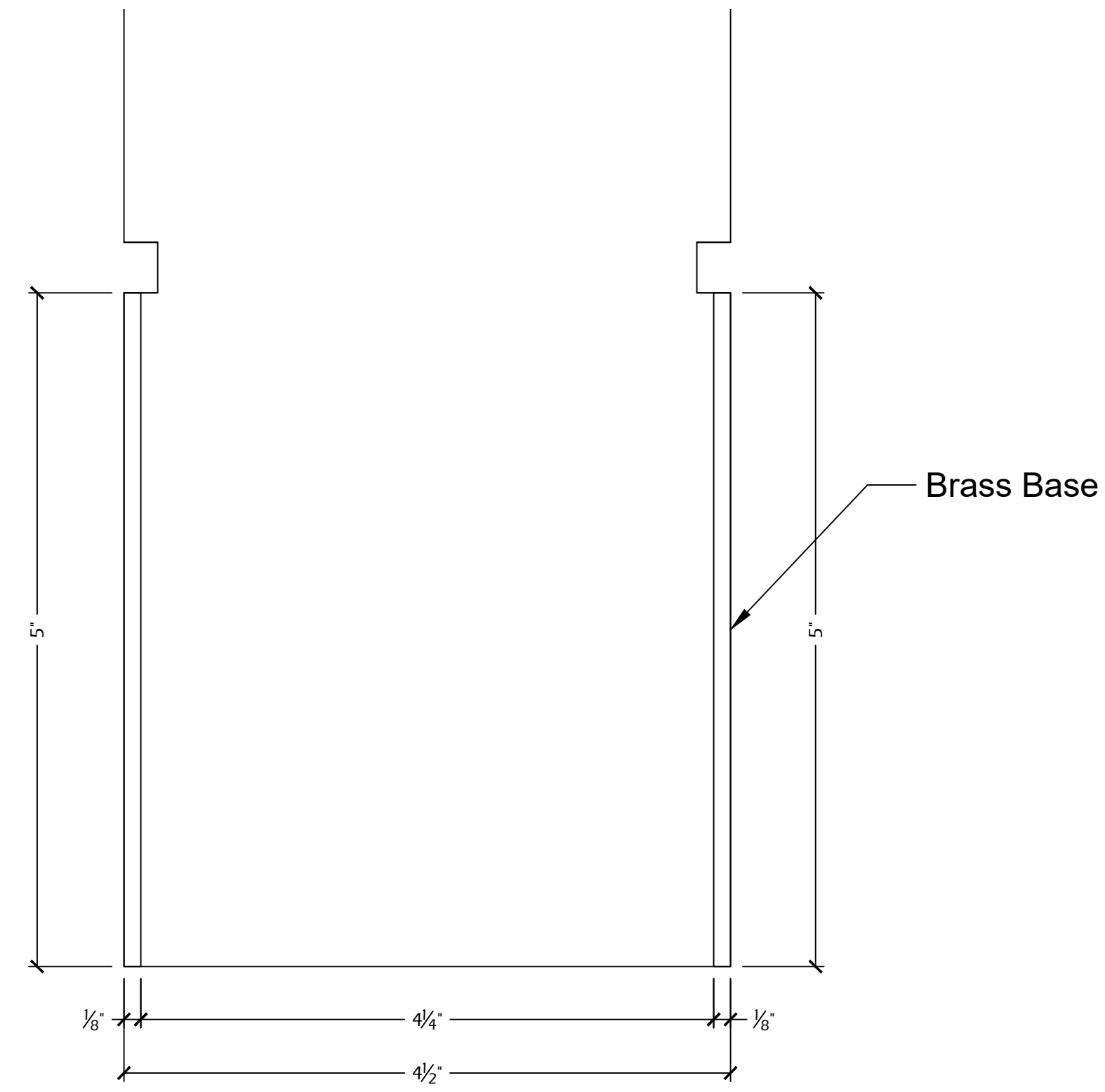
**MILLWORK SHOP DRAWINGS**

**Lim Residence**  
Kitchen

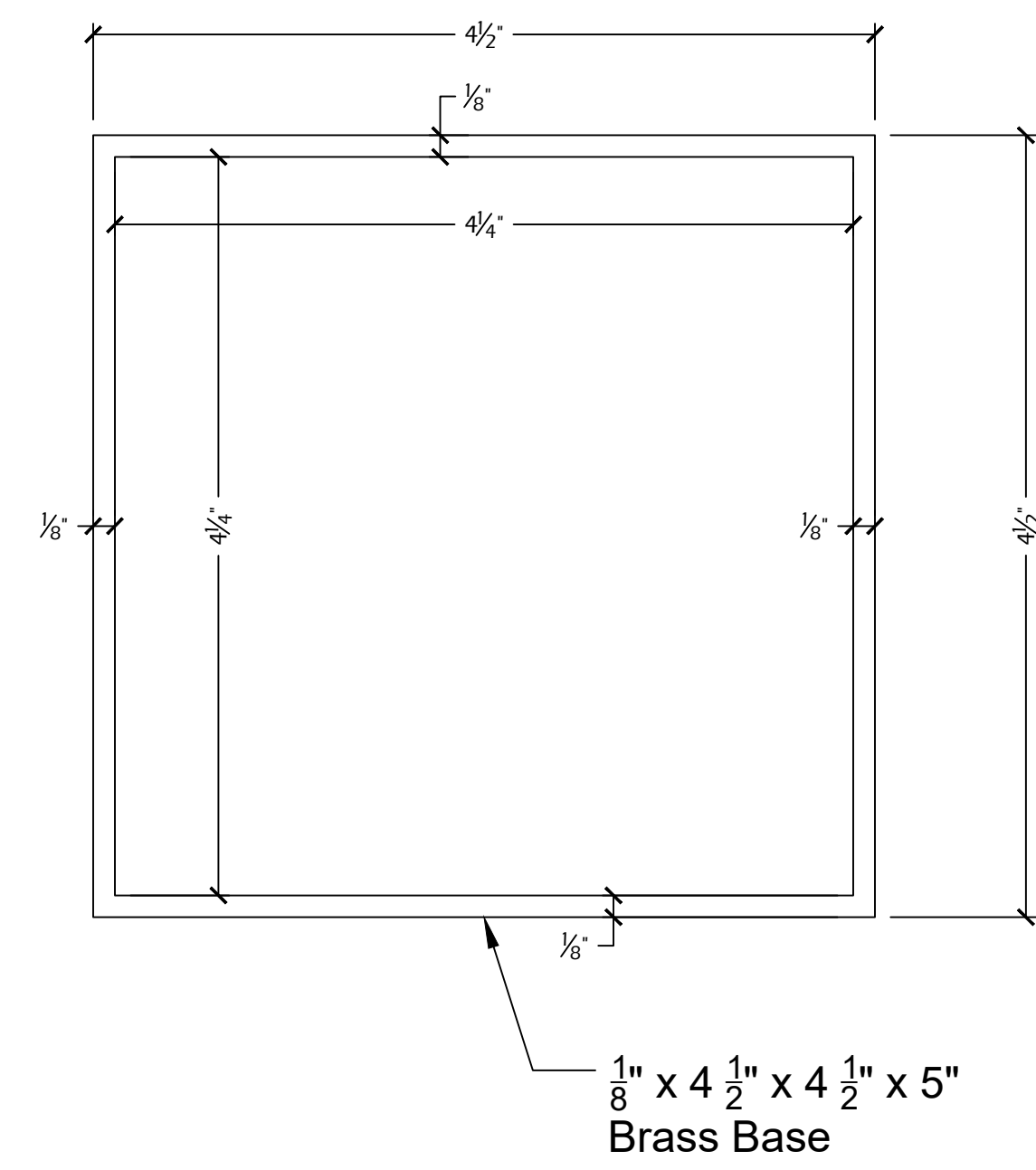
DRAWN BY:	WALLY SHUSTER	DRAWING #:	6
DATE:	10/1/2021	JOB #:	---
SCALE:	AS NOTED		



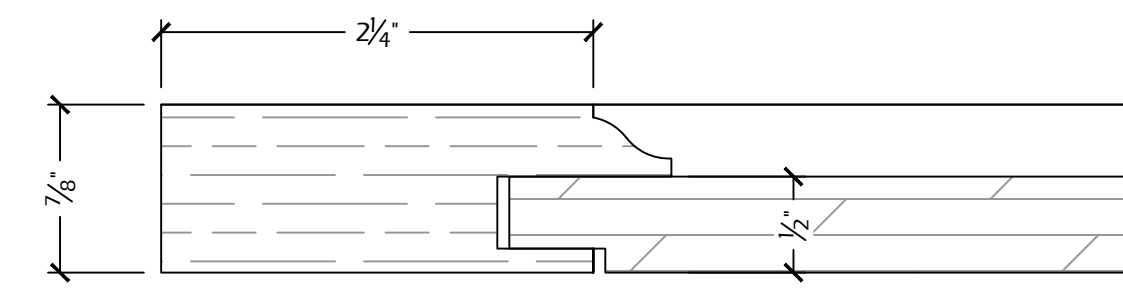
**24 Detail @ Legs**  
Scale : 6" = 1'-0"



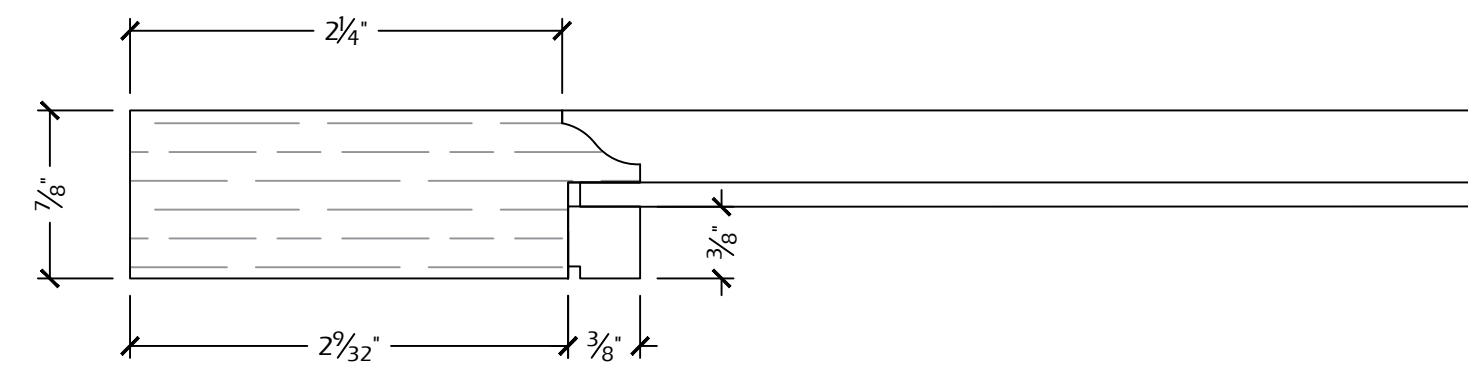
**25 Detail @ Metal Base For Legs**  
Scale : 6" = 1'-0"



**26 Detail @ Metal Base For Legs**  
Scale : 6" = 1'-0"



**27 Detail @ Door & End Panel**  
Scale : 1" = 1'-0"



**28 Detail @ Glass Door**  
Scale : 1" = 1'-0"

**FINISH SCHEDULE**

(-)	=	---
(-)	=	---
(-)	=	---
(-)	=	---

**HARDWARE**

(H-1)	=	---
(H-2)	=	---
(H-3)	=	---
(H-4)	=	---
(H-5)	=	---

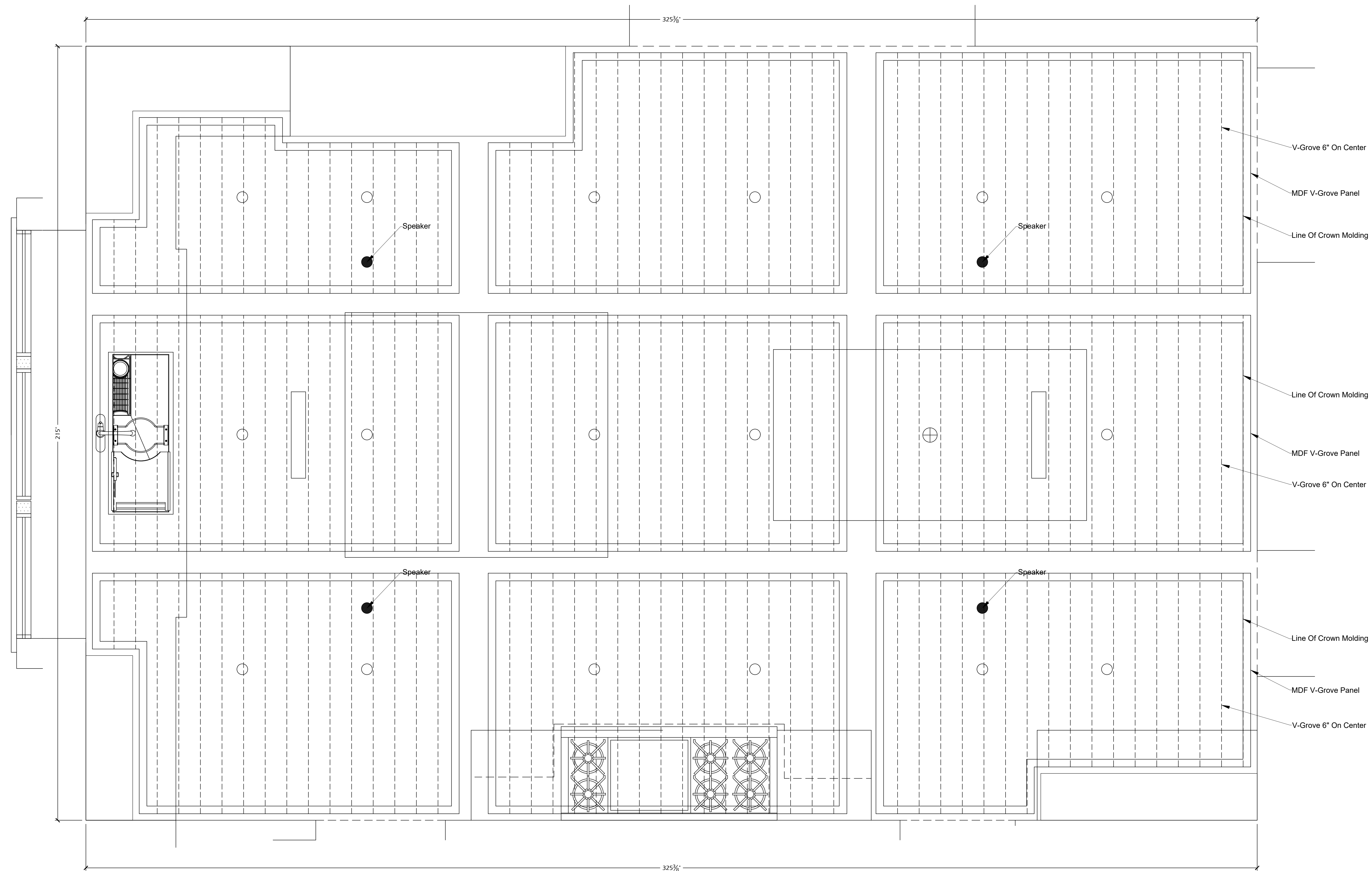
1	Red Lines	10/7/2021
NO.	REVISION / ISSUE	DATE



**MILLWORK SHOP DRAWINGS**

**Lim Residence**  
Kitchen

DRAWN BY: WALLY SHUSTER	DRAWING #: <b>7</b>
DATE: 10/1/2021	JOB #: ---
SCALE: AS NOTED	



**FINISH SCHEDULE**

(-)	=	---
(-)	=	---
(-)	=	---
(-)	=	---

**HARDWARE**

(H-1)	=	---
(H-2)	=	---
(H-3)	=	---
(H-4)	=	---
(H-5)	=	---

1	Red Lines	10/7/2021
NO.	REVISION / ISSUE	DATE



MILLWORK SHOP DRAWINGS

**Lim Residence**

Kitchen

DRAWN BY:	WALLY SHUSTER	DRAWING #:	<b>8</b>
DATE:	10/1/2021	JOB #:	---
SCALE:	AS NOTED		