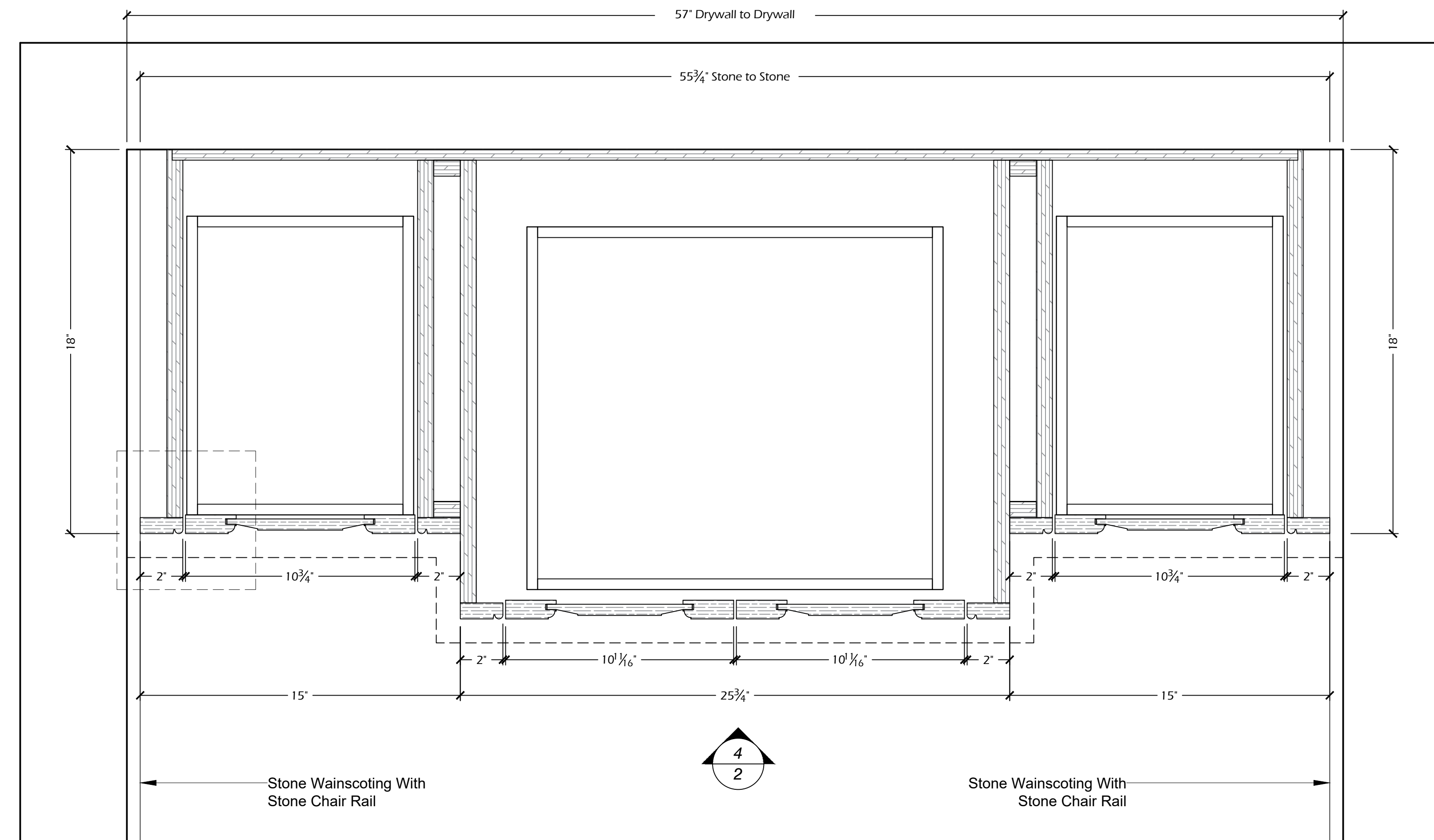
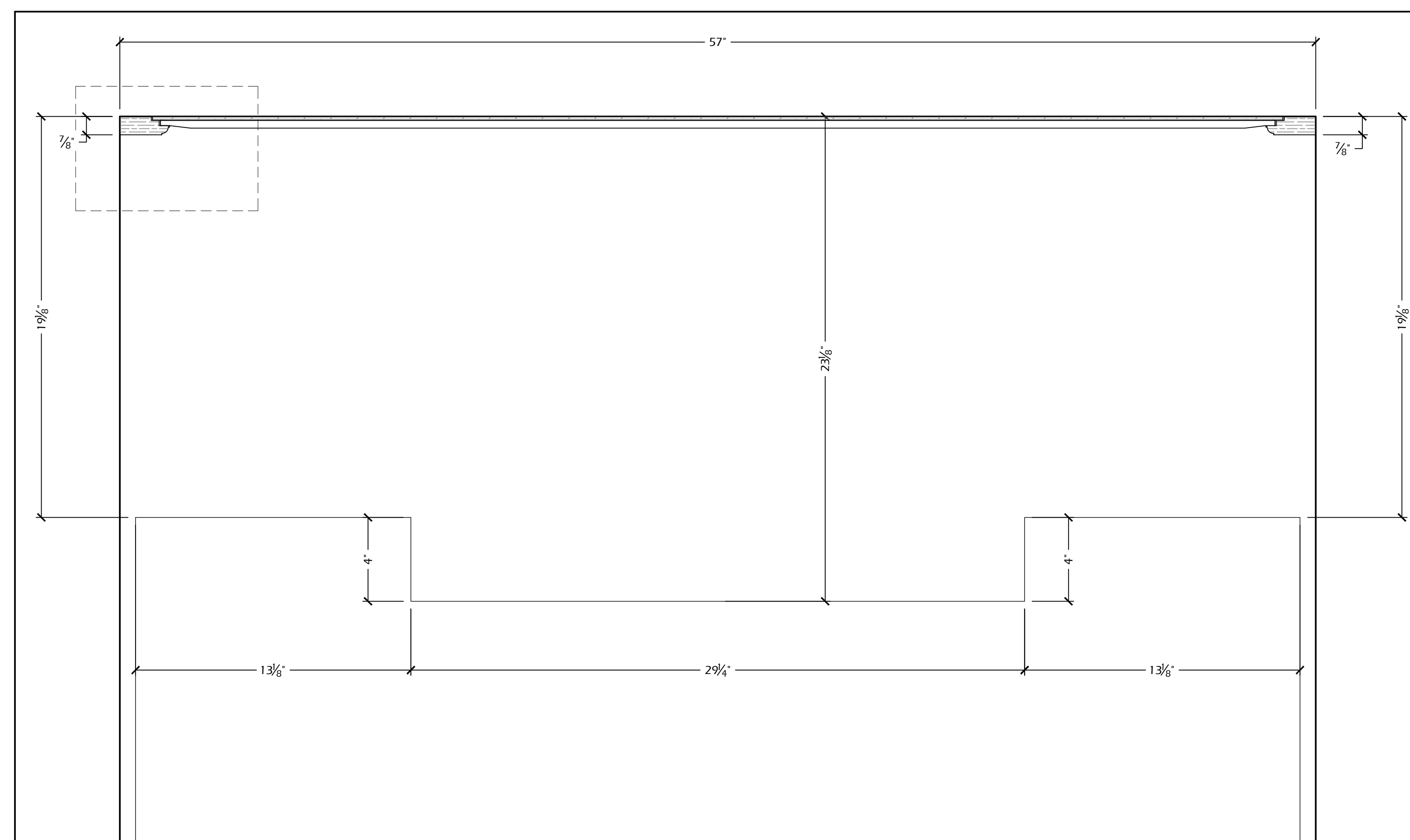


**1 Plan Section View @ Bath Room 4**  
Scale : 1 1/2" = 1'-0"



**2 Plan Section View @ Bath Room 4**  
Scale : 1 1/2" = 1'-0"



**3 Plan Section View @ Bath Room 4**  
Scale : 1 1/2" = 1'-0"

**FINISH SCHEDULE**

- (-1) = —
- (-2) = —
- (-3) = —
- (-4) = —

**HARDWARE**

- (H-1) = —
- (H-2) = —
- (H-3) = —
- (H-4) = —
- (H-5) = —

NO.	REVISION / ISSUE	DATE

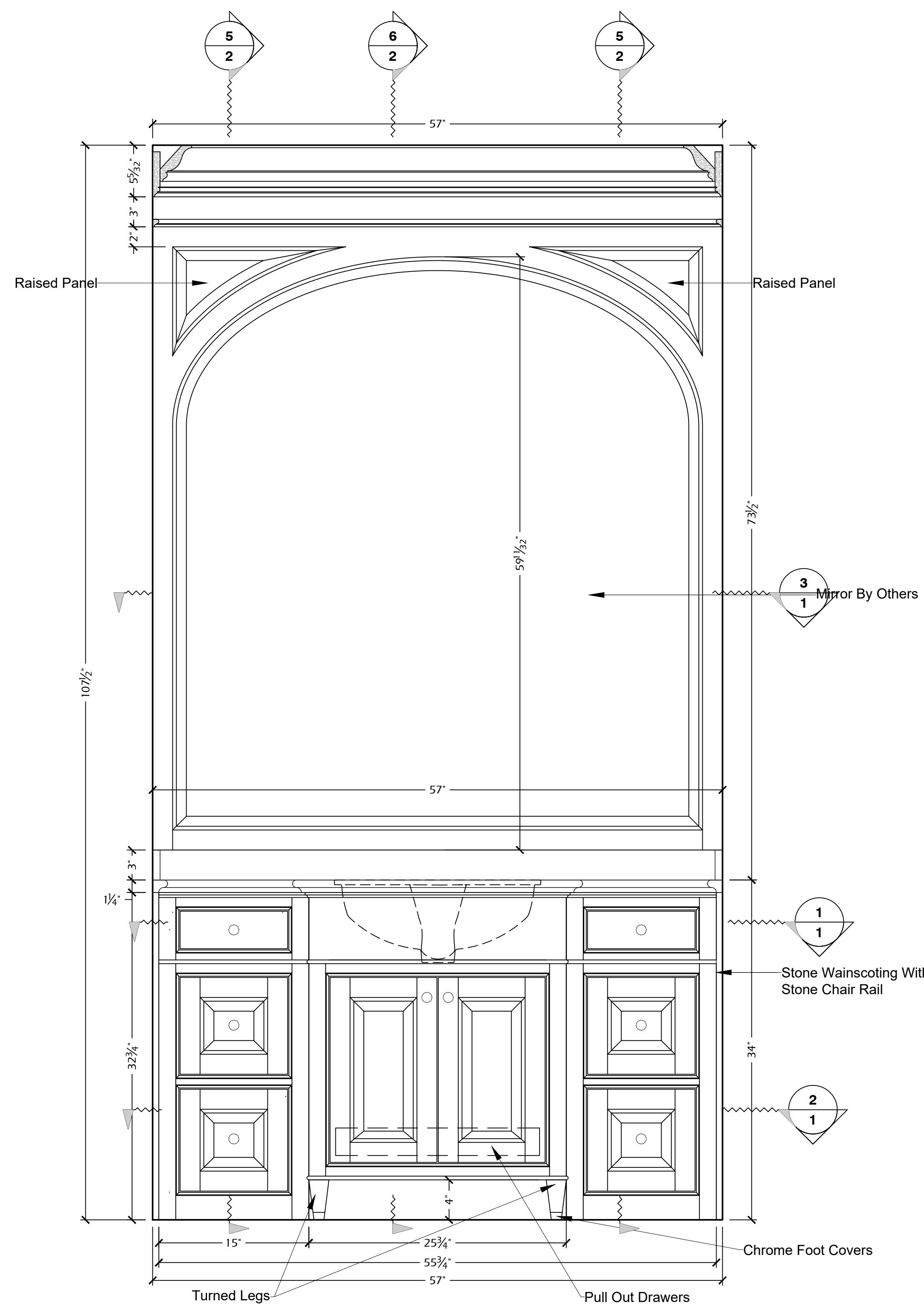


**MILLWORK SHOP DRAWINGS**

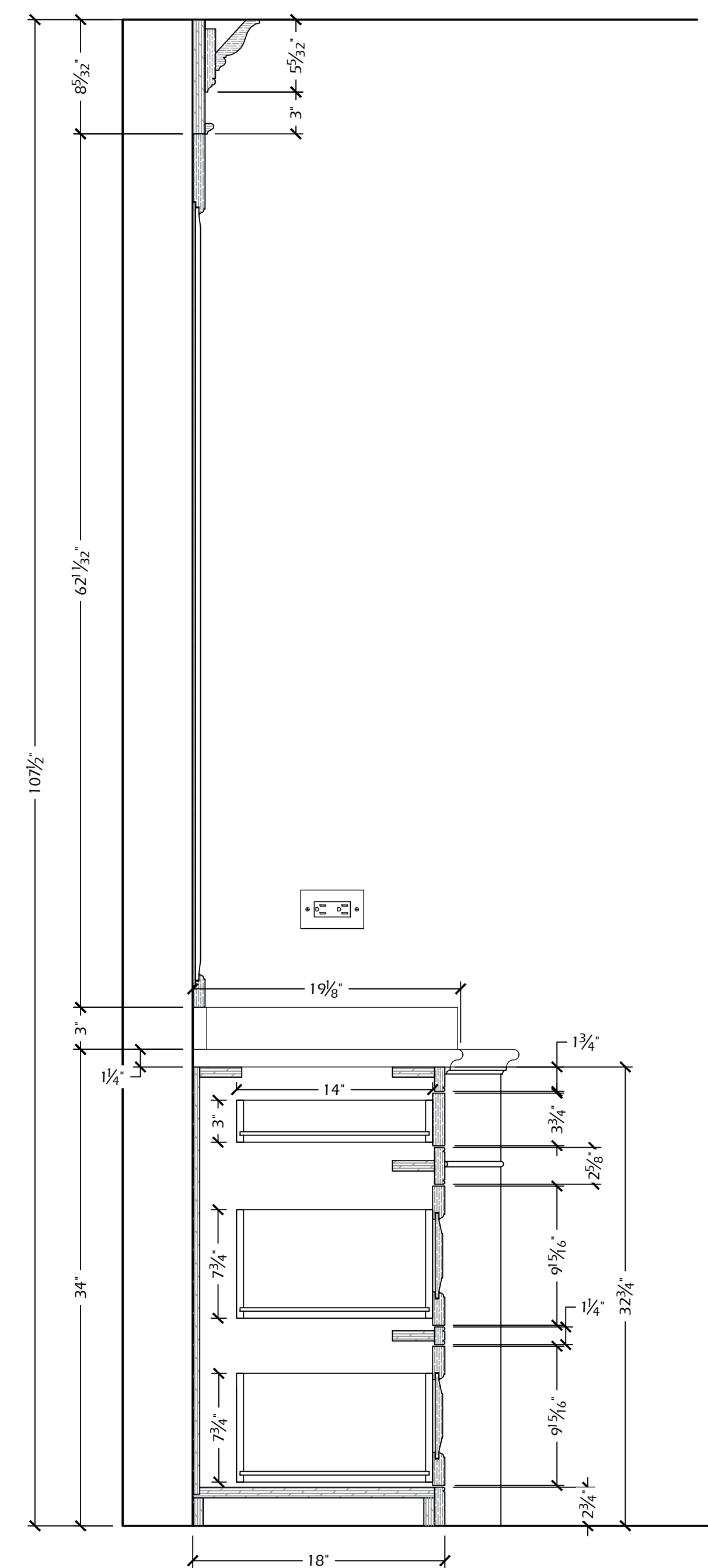
**LIM RESIDENCE**

Bath Room 4

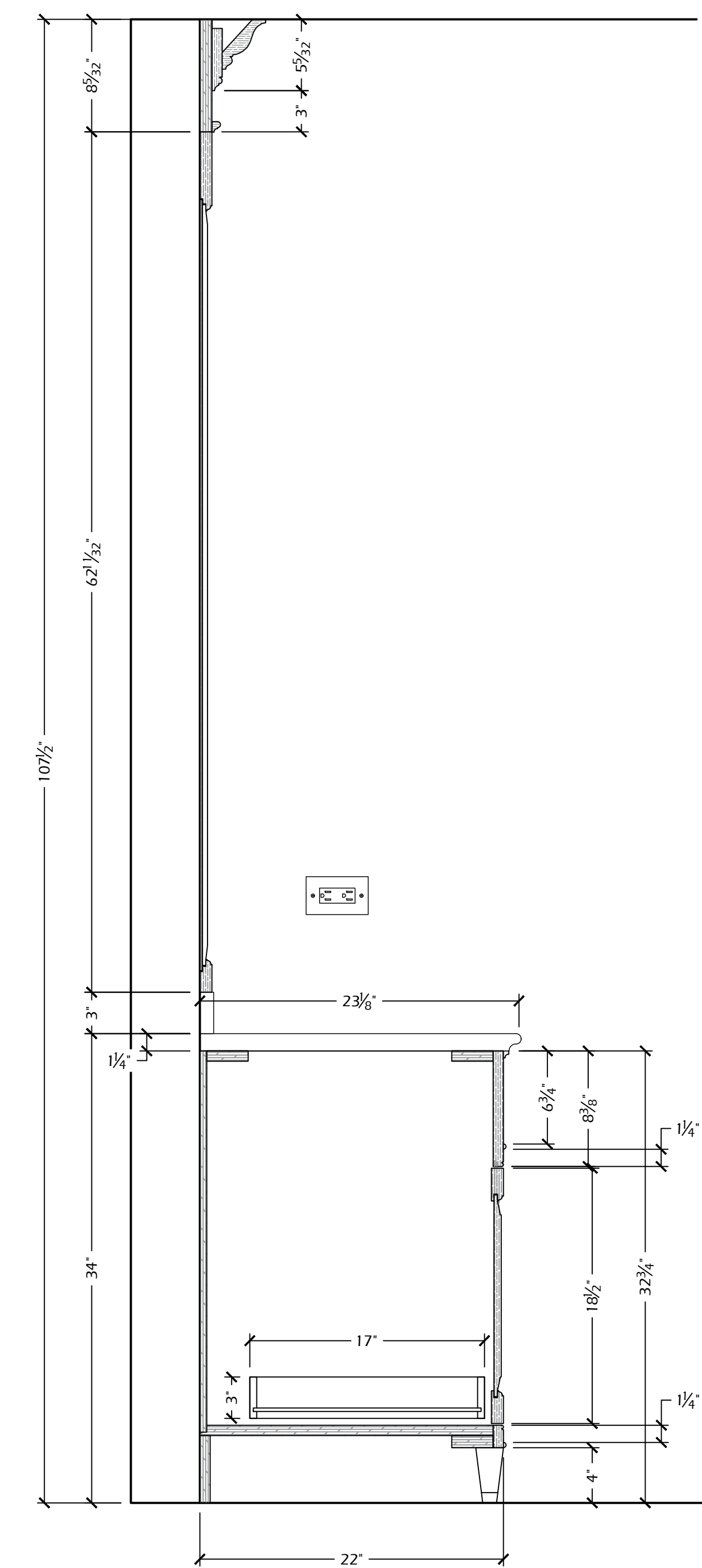
DRAWN BY: <b>WALLY SHUSTER</b>	DRAWING #: <b>1</b>
DATE: <b>10/13/2021</b>	JOB #: —
SCALE: <b>AS NOTED</b>	



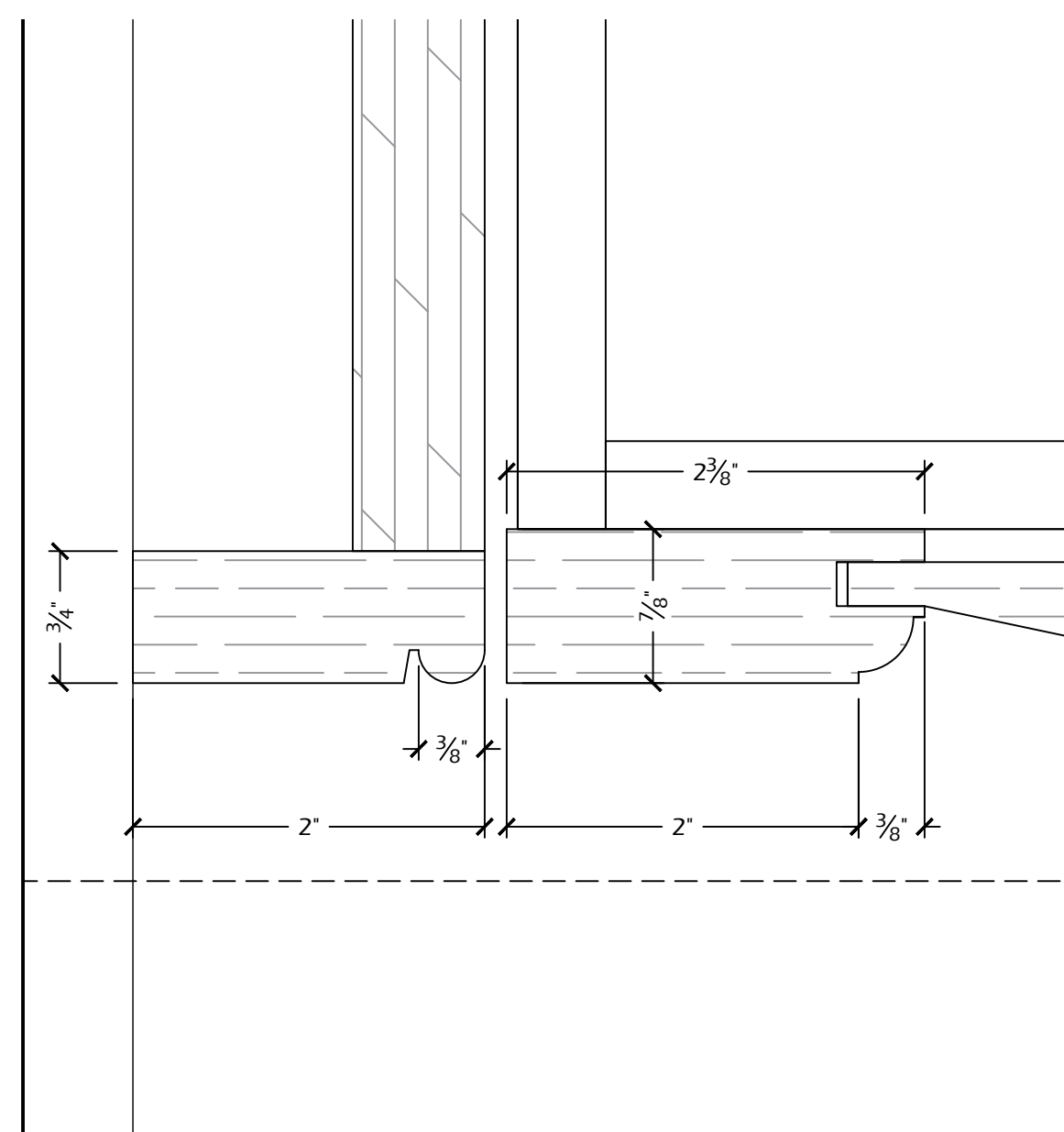
**4 Elevation View @ Bath Room 4**  
Scale : 1 1/2" = 1'-0"



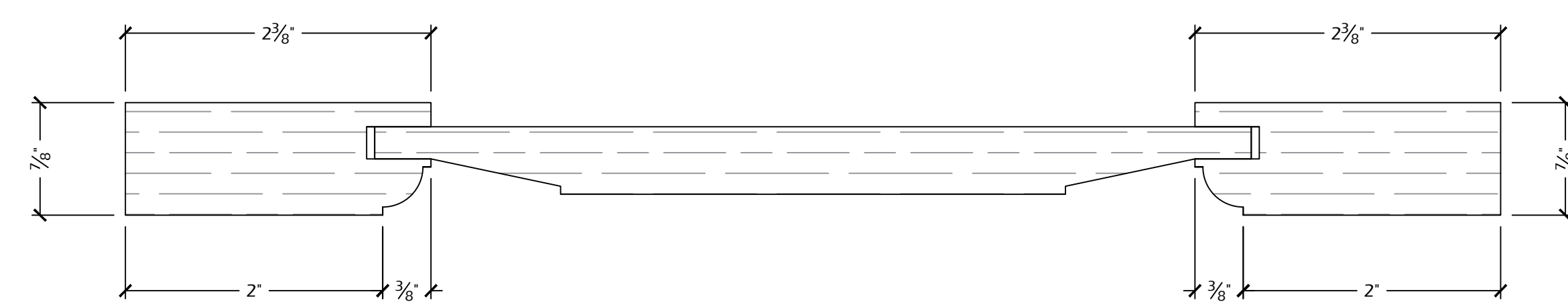
**5 Section**  
Scale : 1 1/2" = 1'-0"



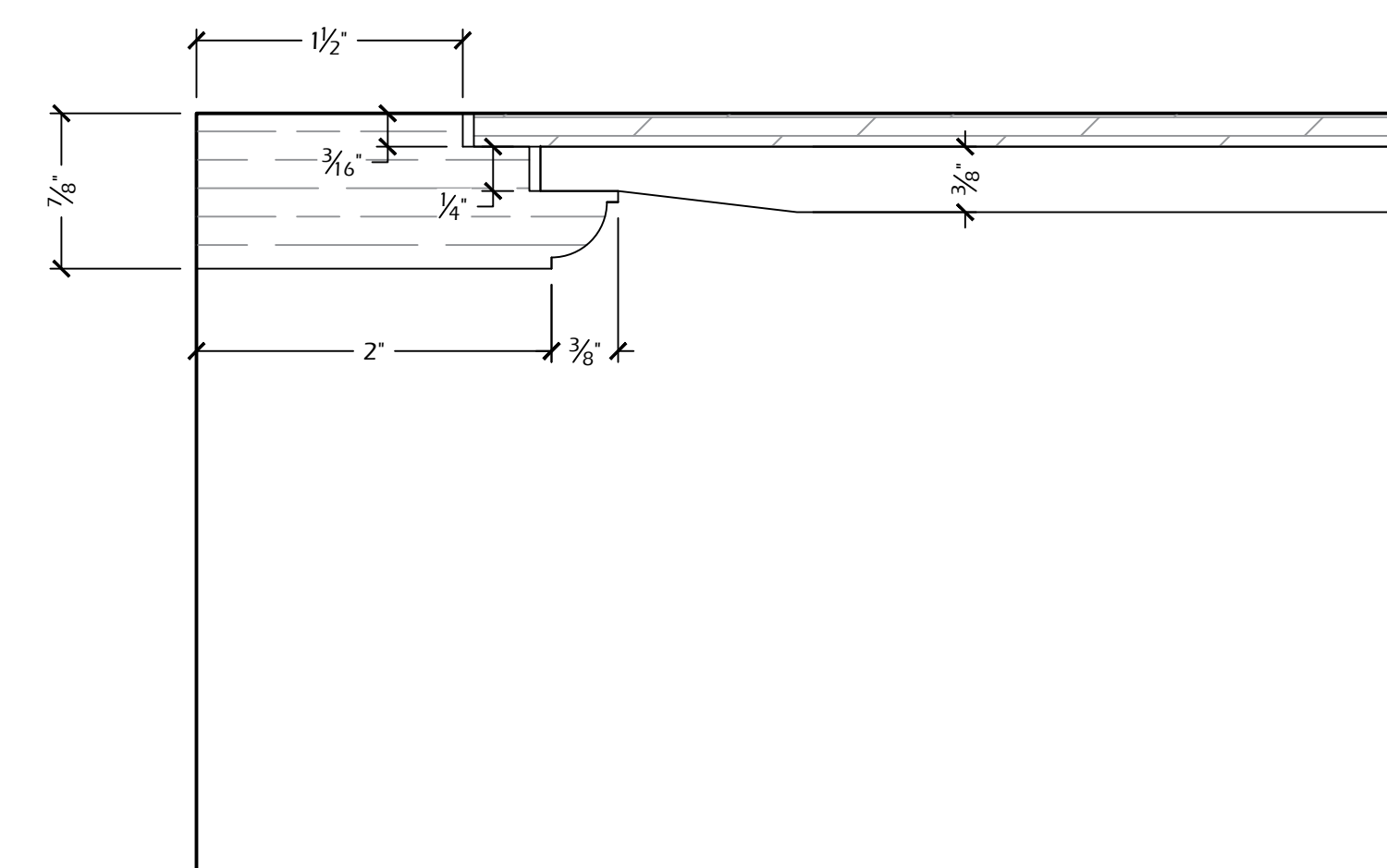
**6 Section**  
Scale : 1 1/2" = 1'-0"



**7 Detail**  
Scale : 1'-0" = 1'-0"



**8 Detail Door**  
Scale : 1'-0" = 1'-0"



**9 Detail**  
Scale : 1'-0" = 1'-0"

**FINISH SCHEDULE**

(-)	=	---
(-)	=	---
(-)	=	---
(-)	=	---

**HARDWARE**

(H-1)	=	---
(H-2)	=	---
(H-3)	=	---
(H-4)	=	---
(H-5)	=	---

NO.	REVISION / ISSUE	DATE



**MILLWORK SHOP DRAWINGS**

**LIM RESIDENCE**

Bath Room 4

DRAWN BY: WALLY SHUSTER	DRAWING #: <b>2</b>
DATE: 10/13/2021	JOB #: ---
SCALE: AS NOTED	